



US00D685434S

(12) **United States Design Patent**
Ali et al.

(10) **Patent No.:** **US D685,434 S**
(45) **Date of Patent:** **** Jul. 2, 2013**

(54) **VIDEO GAME CONTROLLER**

(76) Inventors: **Darren Ali**, Devon (CA); **Ken Dornbusch**, Maple Ridge (CA)

(**) Term: **14 Years**

(21) Appl. No.: **29/403,215**

(22) Filed: **Oct. 3, 2011**

(51) **LOC (9) Cl.** **21-01**

(52) **U.S. Cl.**
USPC **D21/333; D14/401**

(58) **Field of Classification Search**
USPC D14/399-401, 412-416; D21/324,
D21/333; 273/148 B; 463/1, 29-39, 46, 47;
345/156-161, 905

See application file for complete search history.

(56) **References Cited**

U.S. PATENT DOCUMENTS

5,759,100 A * 6/1998 Nakanishi 463/37
5,923,317 A * 7/1999 Sayler et al. 345/156
D416,247 S * 11/1999 Flender et al. D14/401
6,225,975 B1 * 5/2001 Furuki et al. 345/156

6,342,009 B1 * 1/2002 Soma 463/38
D469,436 S * 1/2003 Hussaini et al. D14/401
D471,552 S * 3/2003 Loughnane et al. D14/401
6,743,100 B1 * 6/2004 Neiser 463/37
D545,317 S * 6/2007 Wang et al. D14/401
D585,931 S * 2/2009 Palmer D18/7
D620,939 S * 8/2010 Suetake et al. D14/401
D624,080 S * 9/2010 Jennings et al. D14/401

* cited by examiner

Primary Examiner — Prabhakar Deshmukh

(74) *Attorney, Agent, or Firm* — Bennett Jones LLP

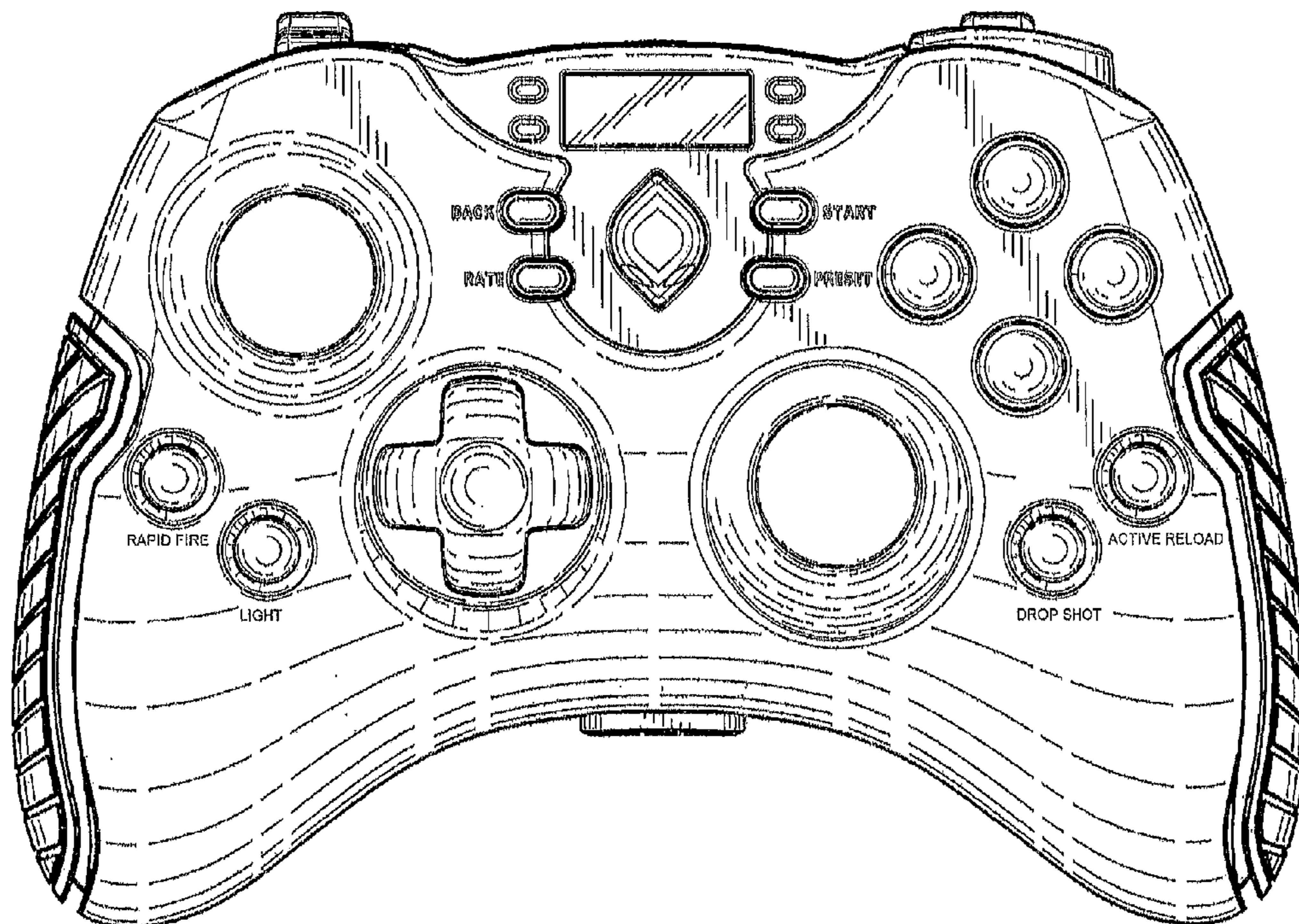
(57) **CLAIM**

The ornamental design for a video game controller, as shown and described.

DESCRIPTION

FIG. 1 is a top plan view of the controller;
FIG. 2 is a front view of the controller;
FIG. 3 is a bottom view of the controller;
FIG. 4 is a rear view of the controller;
FIG. 5 is a left side view of the controller; and,
FIG. 6 is a right side view of the controller.

1 Claim, 3 Drawing Sheets



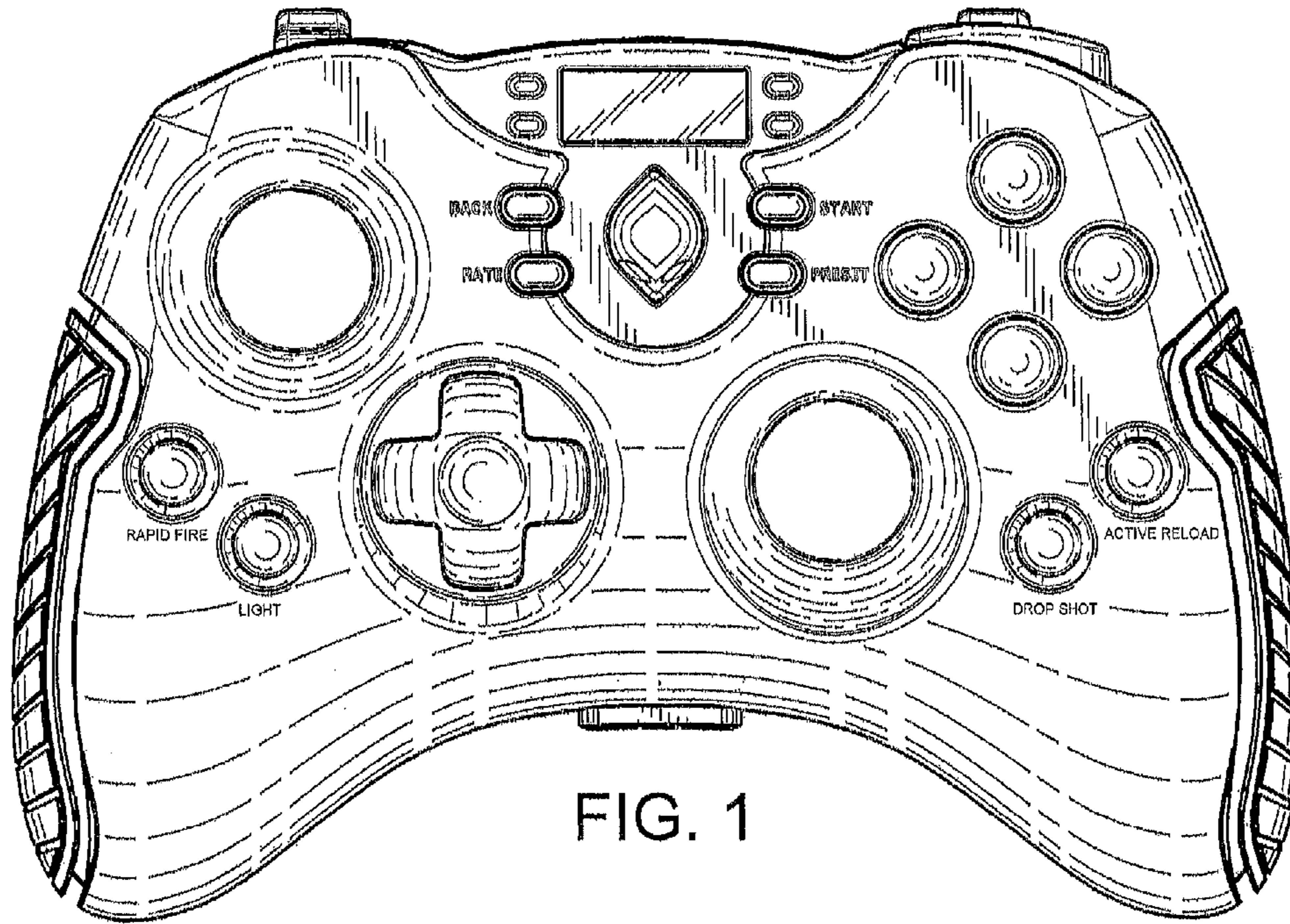


FIG. 1

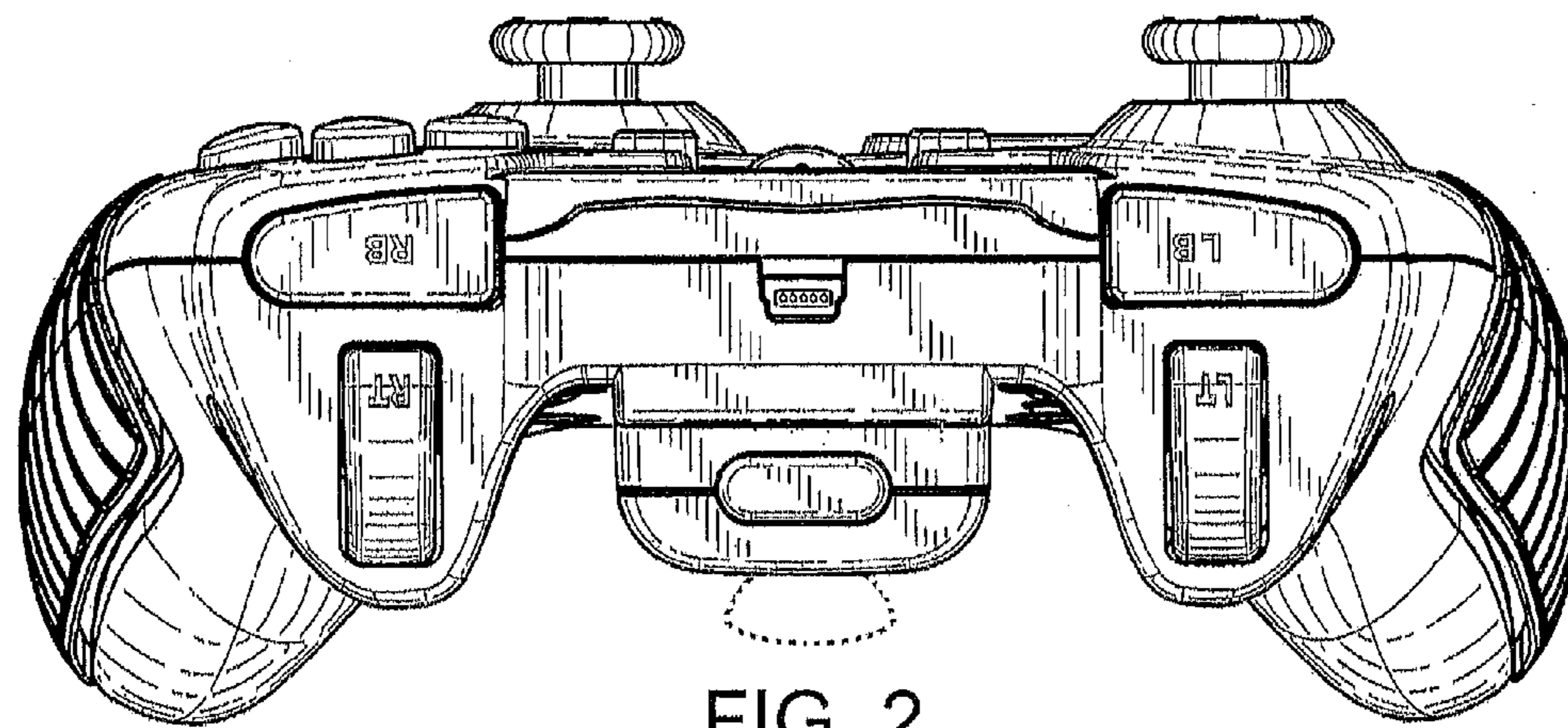


FIG. 2

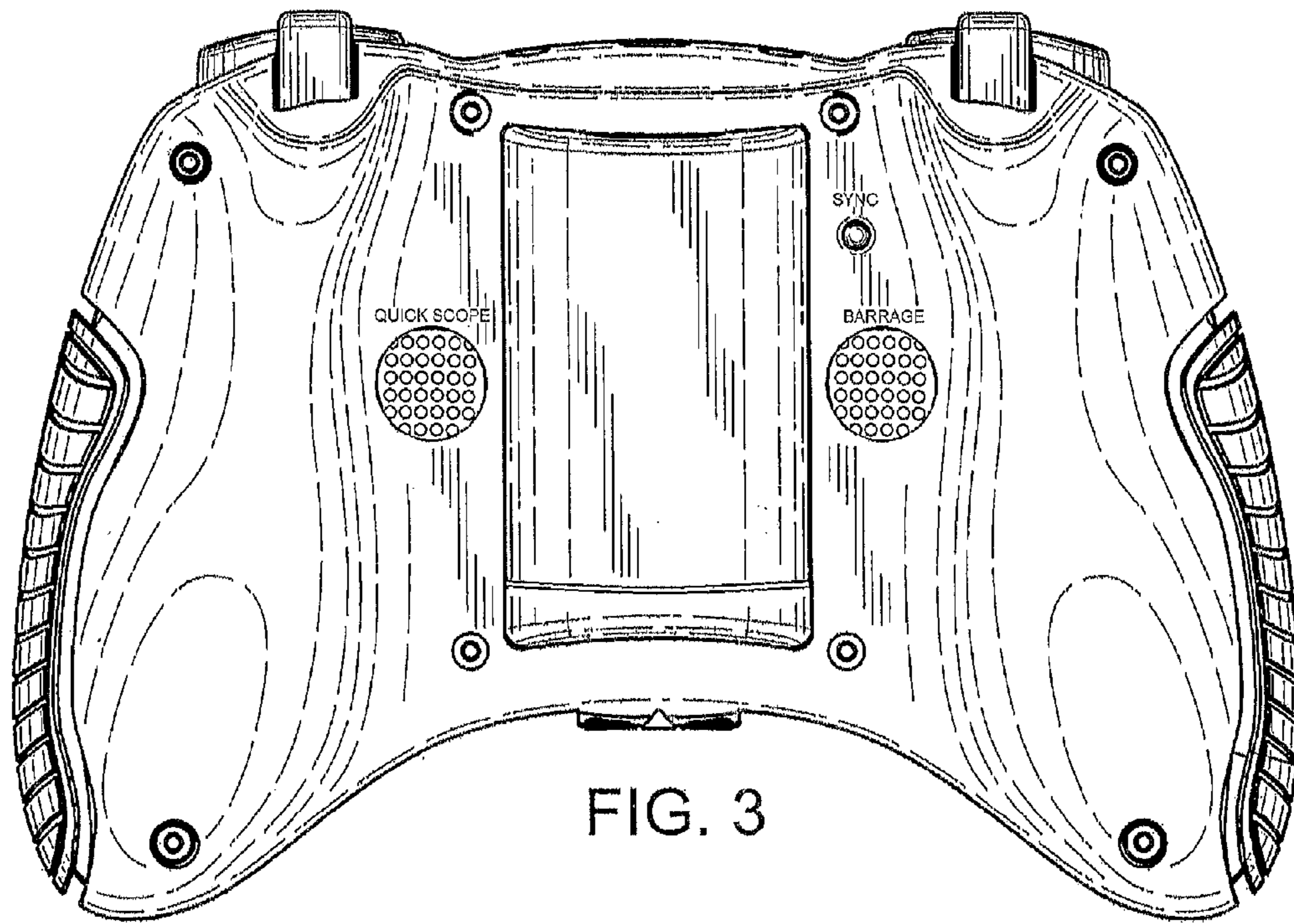


FIG. 3

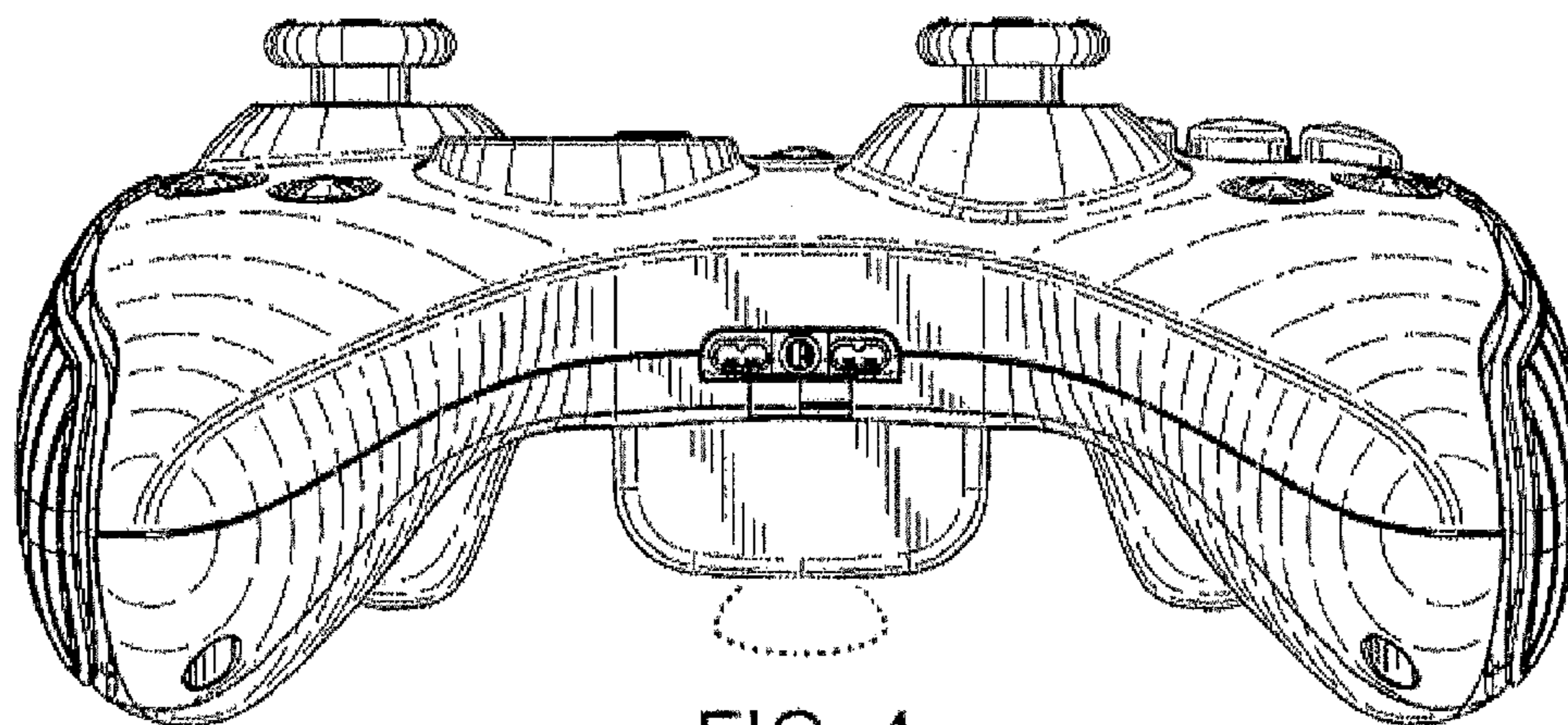


FIG. 4

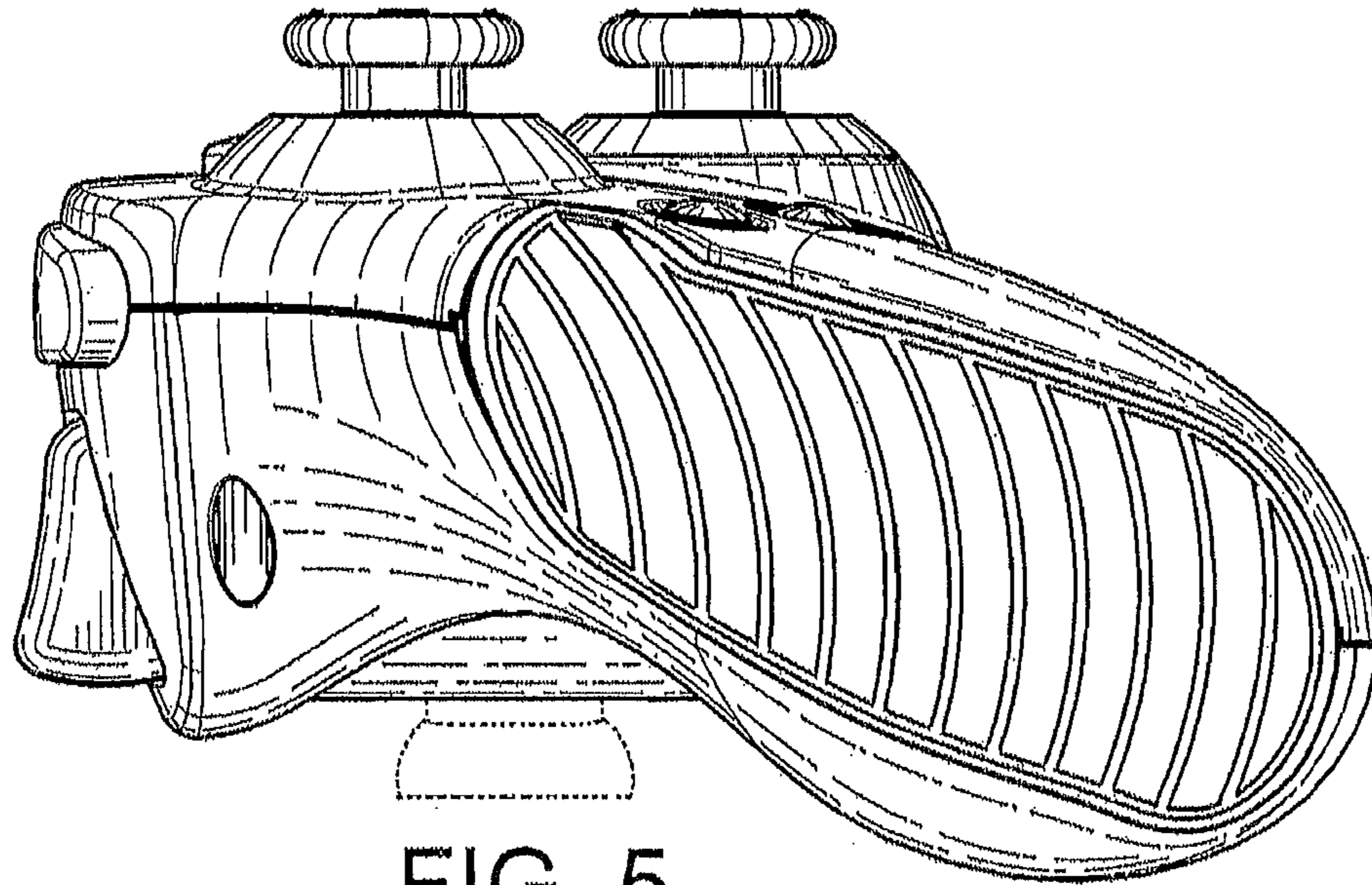


FIG. 5

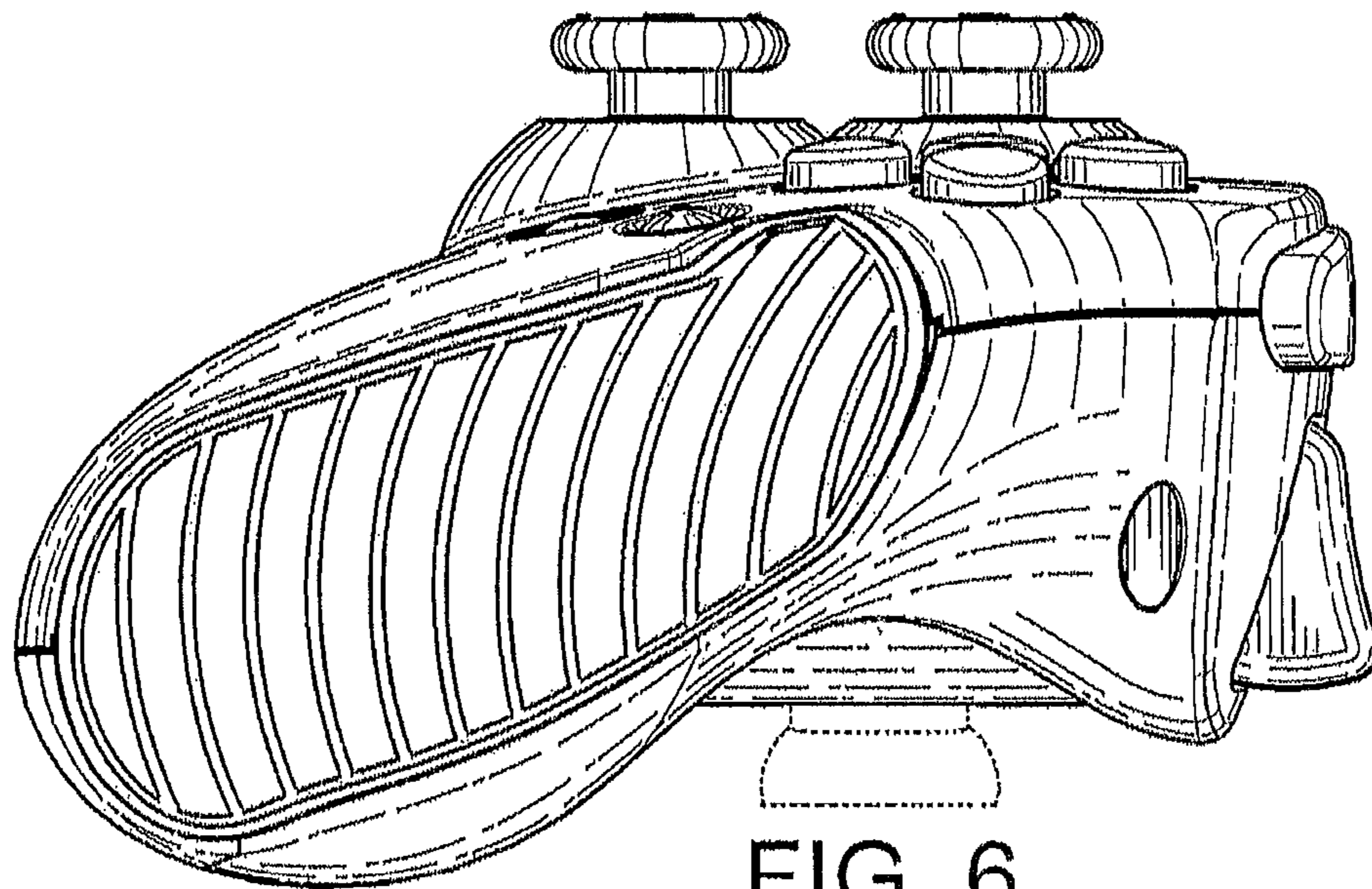


FIG. 6