



US00D685432S

(12) **United States Design Patent**  
**Wu**

(10) **Patent No.:** **US D685,432 S**

(45) **Date of Patent:** **\*\* Jul. 2, 2013**

(54) **CORRECTION TAPE DISPENSER**  
(71) Applicant: **SDI Corporation**, Chang Hua (TW)  
(72) Inventor: **Chien-Lung Wu**, Chang Hua (TW)  
(73) Assignee: **SDI Corporation**, Chang Hua (TW)  
(\*\*) Term: **14 Years**

(21) Appl. No.: **29/447,974**  
(22) Filed: **Mar. 8, 2013**

(30) **Foreign Application Priority Data**  
Jan. 25, 2013 (TW) ..... 102300668  
(51) **LOC (9) Cl.** ..... **19-02**  
(52) **U.S. Cl.**  
USPC ..... **D19/67**  
(58) **Field of Classification Search**  
USPC ..... D19/70, 69, 36, 68; 242/588.6, 588.2;  
225/77, 6, 56, 39, 26, 25, 19, 11; 206/411;  
156/577, 527, 523; D8/354, 382, 385, 499  
See application file for complete search history.

(56) **References Cited**  
**U.S. PATENT DOCUMENTS**  
D467,617 S \* 12/2002 Soetewey ..... D19/69  
D475,747 S \* 6/2003 Ono ..... D19/69  
D506,508 S \* 6/2005 Shimizu et al. .... D19/69

6,997,229 B2 \* 2/2006 Marschand et al. .... 156/577  
D532,457 S \* 11/2006 Chen ..... D19/69  
D544,544 S \* 6/2007 Wu ..... D19/69  
D547,804 S \* 7/2007 Wu ..... D19/69  
D581,466 S \* 11/2008 Lin ..... D19/69  
D615,126 S \* 5/2010 Syal ..... D19/69  
D636,025 S \* 4/2011 Kouda ..... D19/69  
2005/0056376 A1 \* 3/2005 Marschand et al. .... 156/540  
2010/0288193 A1 \* 11/2010 Wu ..... 118/76

\* cited by examiner

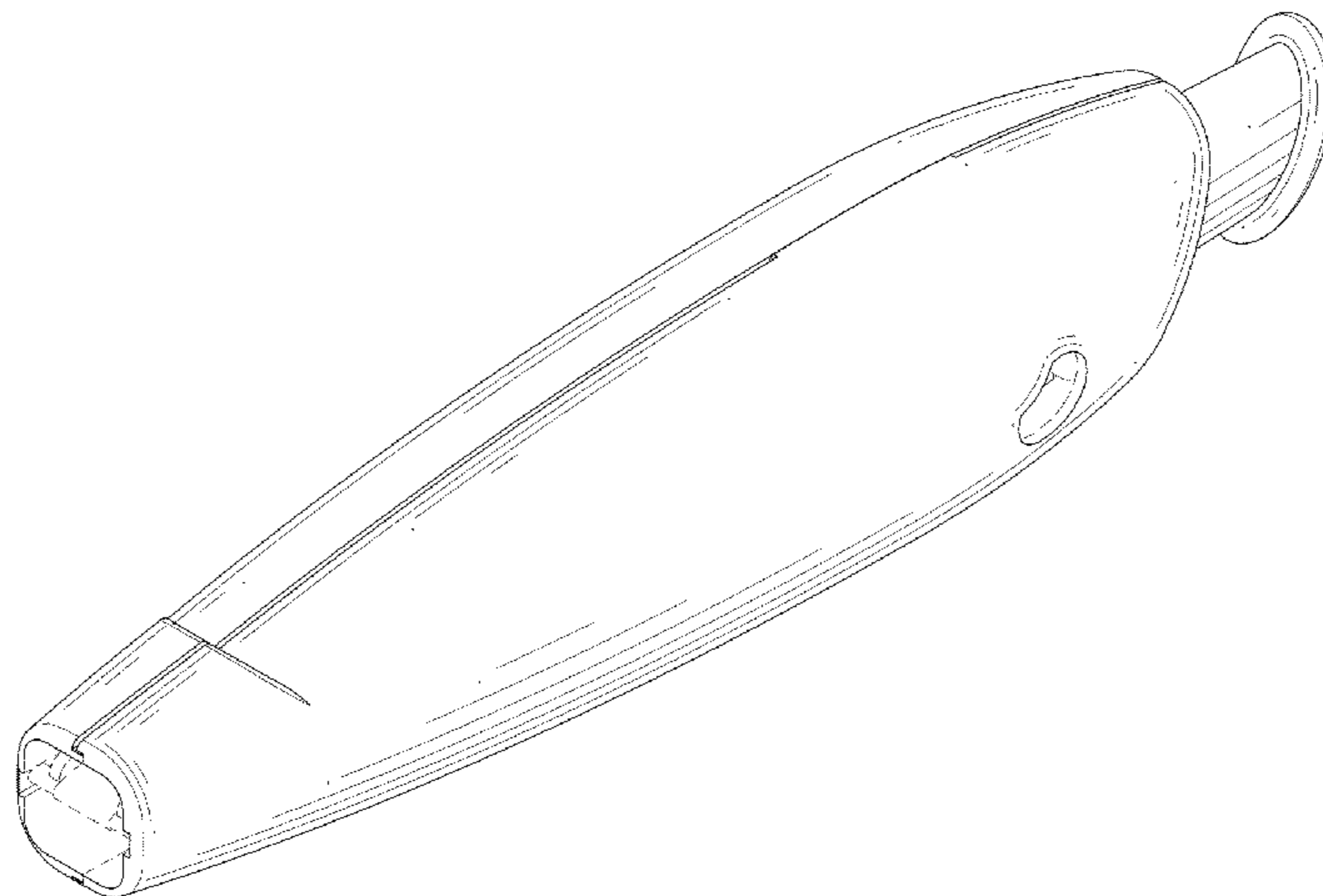
*Primary Examiner* — Austin Murphy  
(74) *Attorney, Agent, or Firm* — The Weintraub Group, P.L.C.

(57) **CLAIM**  
The ornamental design for a correction tape dispenser, as shown and described.

**DESCRIPTION**

FIG. 1 is a perspective view of a correction tape dispenser showing my new design;  
FIG. 2 is another perspective view thereof;  
FIG. 3 is a front view thereof;  
FIG. 4 is a rear view thereof;  
FIG. 5 is a left view thereof;  
FIG. 6 is a right view thereof;  
FIG. 7 is a top view thereof; and,  
FIG. 8 is a bottom view thereof.  
The broken lines are shown for illustrative purposes only and form no part of the claimed design.

**1 Claim, 5 Drawing Sheets**



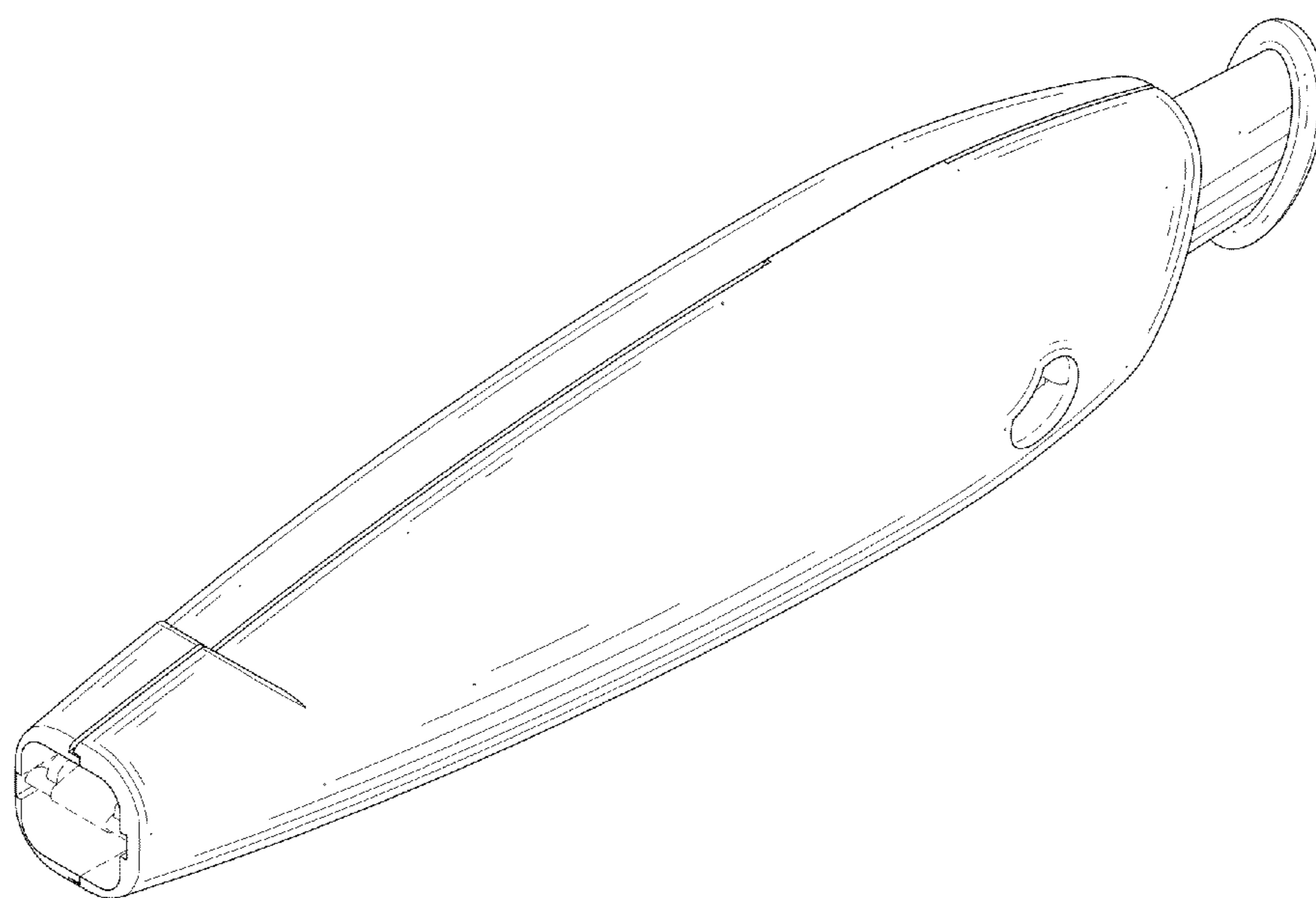


FIG. 1

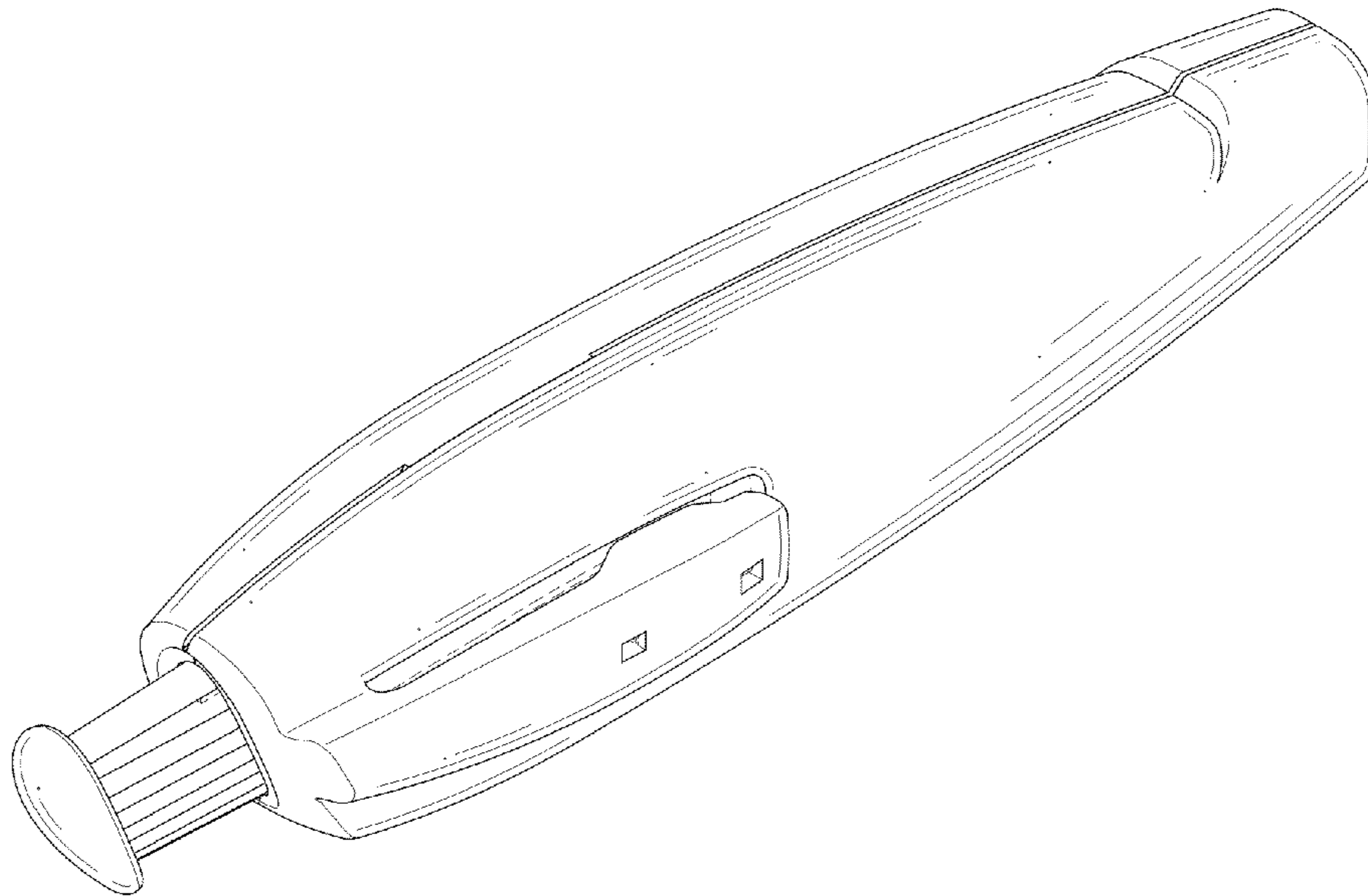


FIG. 2

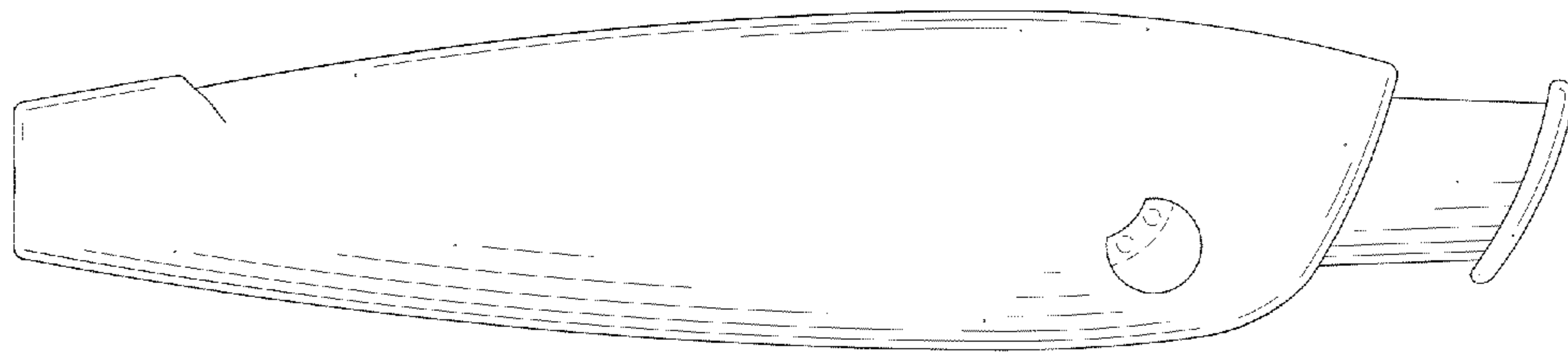


FIG. 3

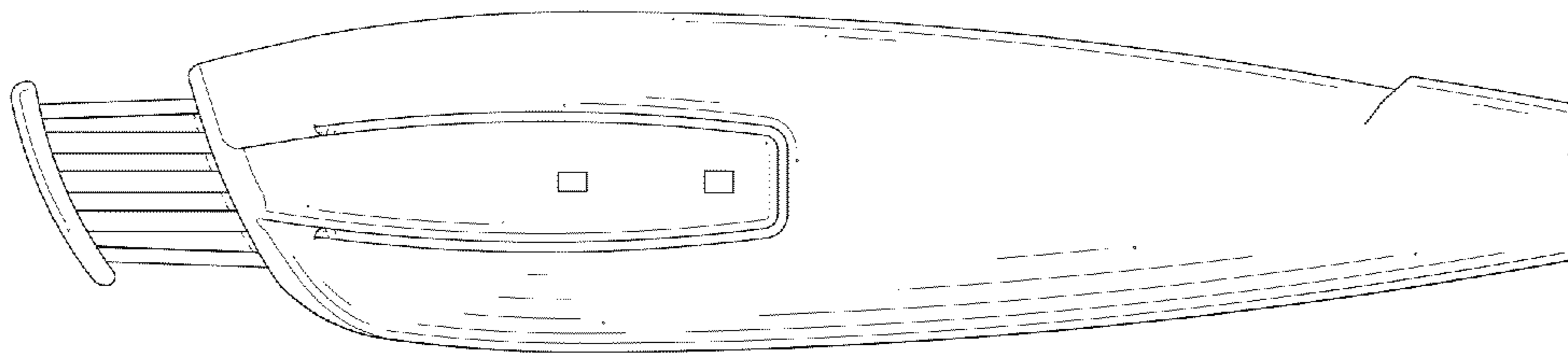


FIG. 4

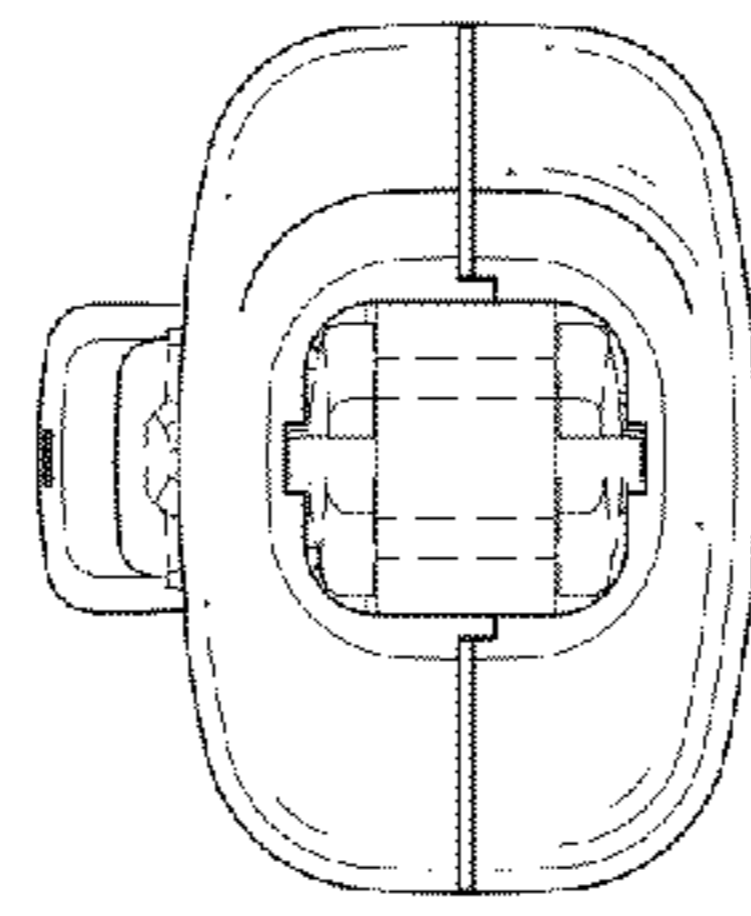


FIG. 5

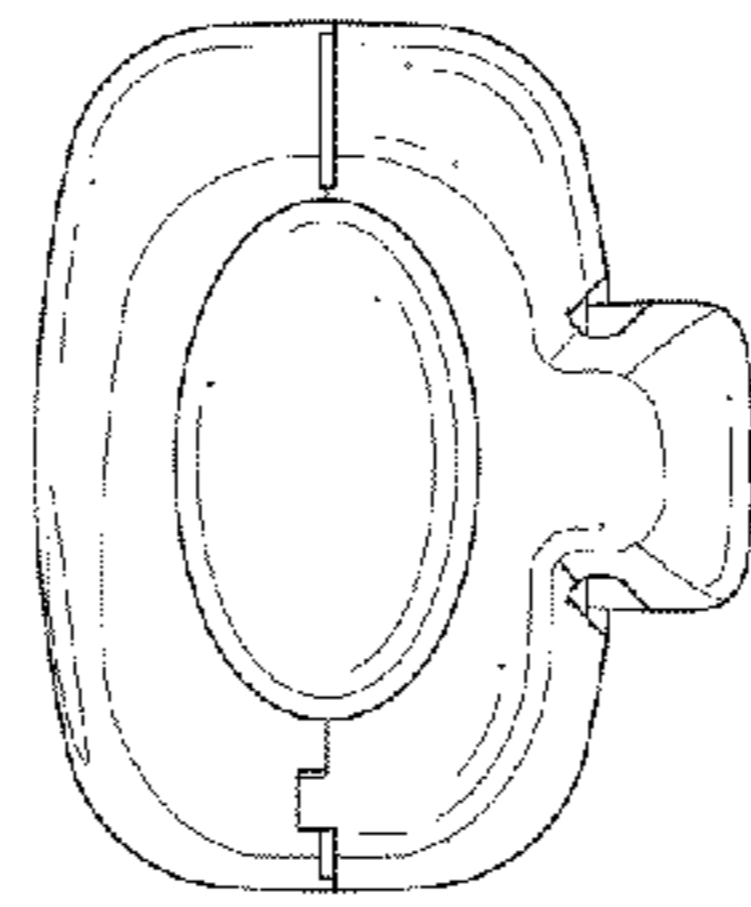


FIG. 6

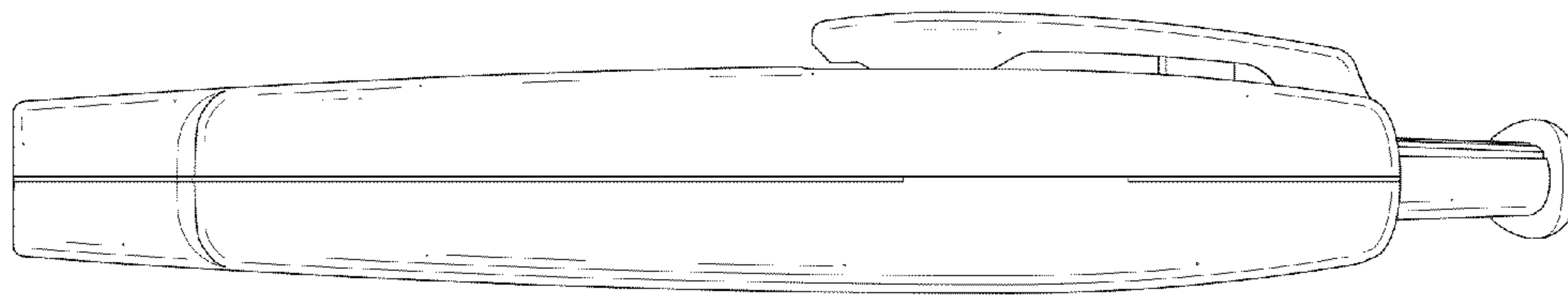


FIG. 7

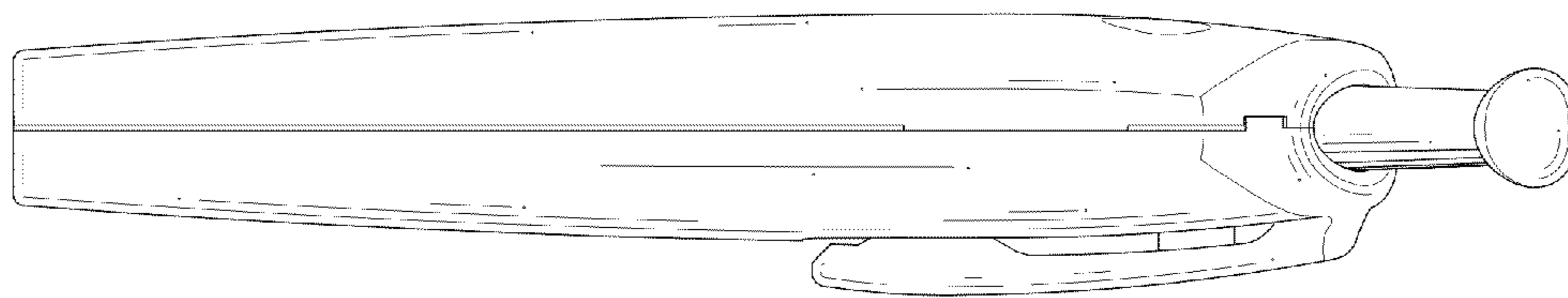


FIG. 8