



US00D685428S

(12) **United States Design Patent**  
**Li**

(10) **Patent No.:** **US D685,428 S**

(45) **Date of Patent:** **\*\* Jul. 2, 2013**

(54) **ERASER**

(75) Inventor: **Bin Li**, Ningbo (CN)

(73) Assignee: **Beifa Group Co., Ltd.**, Ningbo (CN)

(\*\*) Term: **14 Years**

(21) Appl. No.: **29/414,313**

(22) Filed: **Feb. 27, 2012**

(30) **Foreign Application Priority Data**

Aug. 25, 2011 (CN) ..... 2011 3 0290737

(51) **LOC (9) Cl.** ..... **19-06**

(52) **U.S. Cl.**  
USPC ..... **D19/53**

(58) **Field of Classification Search**  
USPC .. D14/411; D19/35, 36, 41-51, 54-58; 24/11  
F, 11 P, 11 R; 401/52, 99-109, 192, 195,  
401/196; D28/7, 76, 88  
See application file for complete search history.

(56) **References Cited**

**U.S. PATENT DOCUMENTS**

2,528,709	A *	11/1950	Raymond et al.	.....	451/524
D303,992	S *	10/1989	Grotsch	.....	D19/53
D358,169	S *	5/1995	Osada	.....	D19/53
5,577,850	A *	11/1996	Mishima	.....	401/83
D386,526	S *	11/1997	Ito	.....	D19/53
D414,512	S	9/1999	Yazawa		
D425,122	S *	5/2000	Bardet	.....	D19/53
D431,599	S	10/2000	Izushima		

D442,225	S *	5/2001	Lewis, Jr.	.....	D19/47
D450,768	S *	11/2001	Keda	.....	D19/48
D492,722	S *	7/2004	Oka	.....	D19/49
D522,580	S *	6/2006	Shibata	.....	D19/51
D579,051	S *	10/2008	Patadia et al.	.....	D19/55
D595,718	S *	7/2009	Richter et al.	.....	D14/411
D631,915	S *	2/2011	Stukenkemper	.....	D19/53
D662,982	S *	7/2012	Zhang	.....	D19/48
D663,301	S *	7/2012	Lien	.....	D14/411

\* cited by examiner

*Primary Examiner* — Elizabeth Albert

(74) *Attorney, Agent, or Firm* — Christensen O'Connor Johnson Kindness PLLC

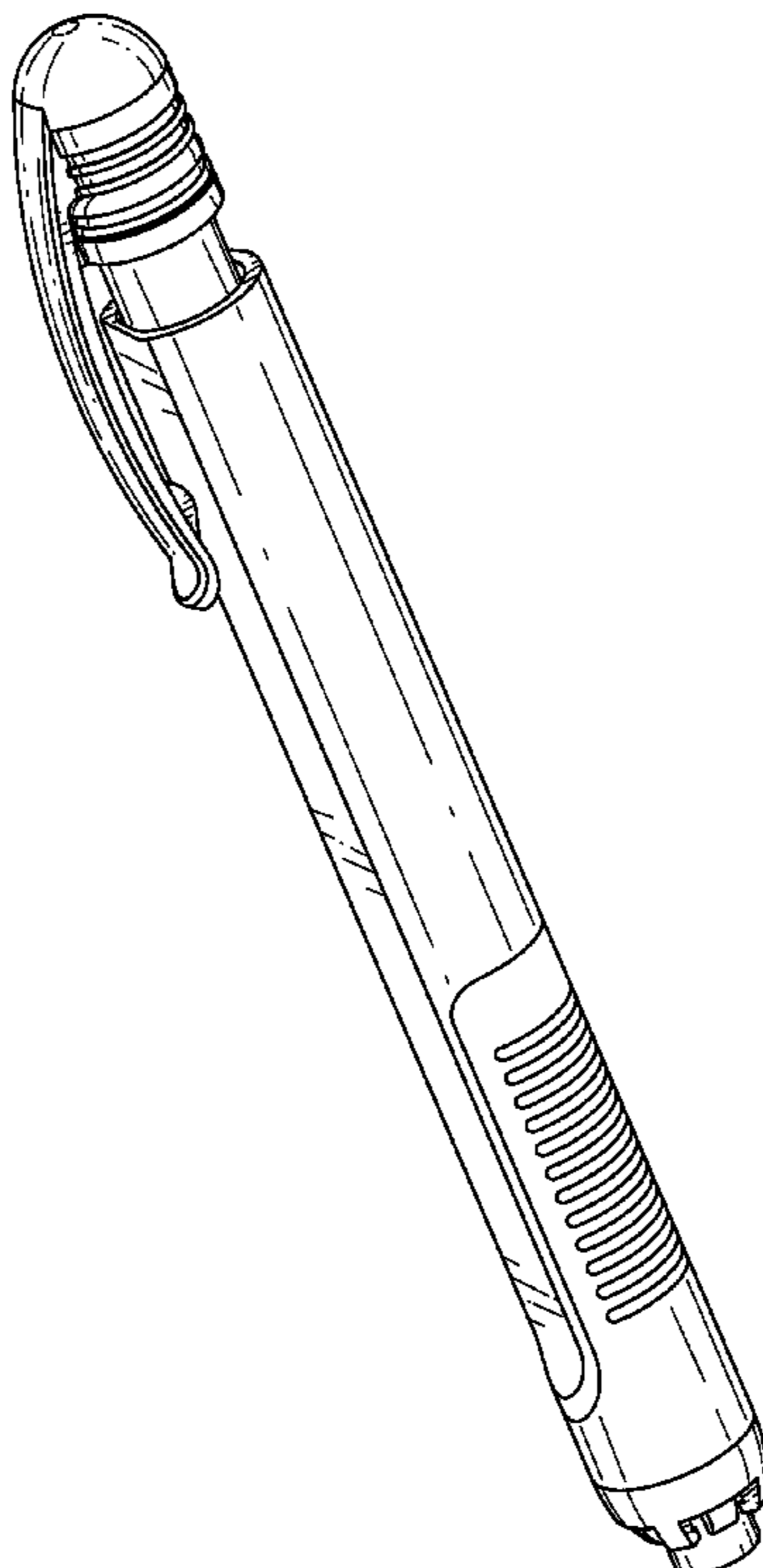
(57) **CLAIM**

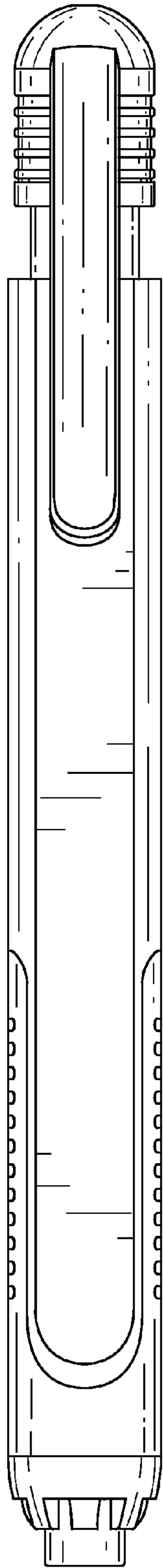
The ornamental design for an eraser, as shown and described.

**DESCRIPTION**

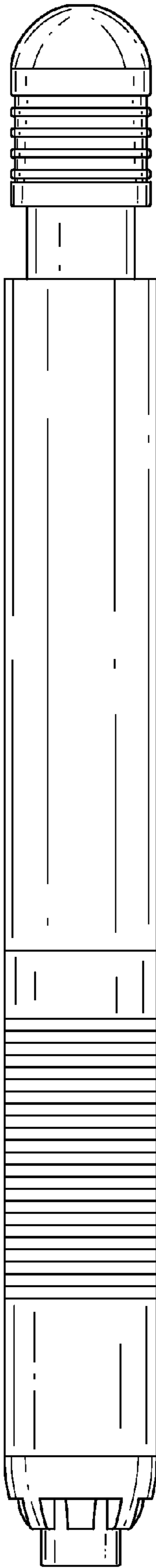
FIG. 1 is a front elevation view of an eraser showing my new design;  
FIG. 2 is a rear elevation view thereof;  
FIG. 3 is a right side elevation view thereof, with the left side elevation view being a mirror image of the right side elevation view;  
FIG. 4 is a top plan view thereof;  
FIG. 5 is a bottom plan view thereof;  
FIG. 6 is an enlarged top plan view thereof;  
FIG. 7 is an enlarged bottom plan view thereof; and,  
FIG. 8 is an upper front right perspective view thereof.  
The broken lines at the upper end of the eraser shown in FIGS. 4, 6, and 8 illustrate environmental matter that forms no part of the claimed design.

**1 Claim, 3 Drawing Sheets**

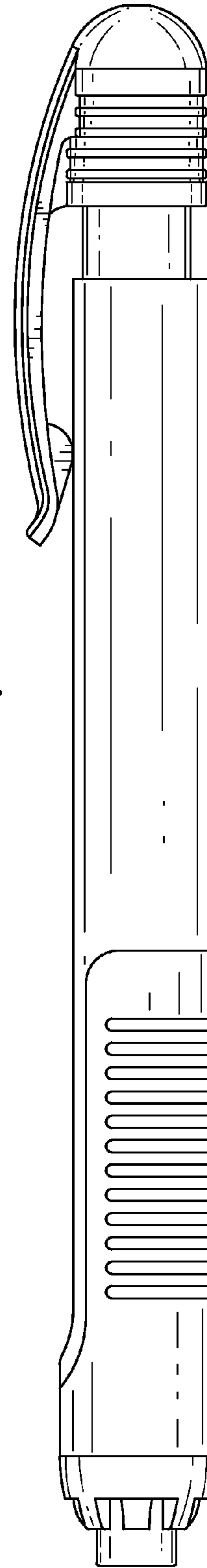




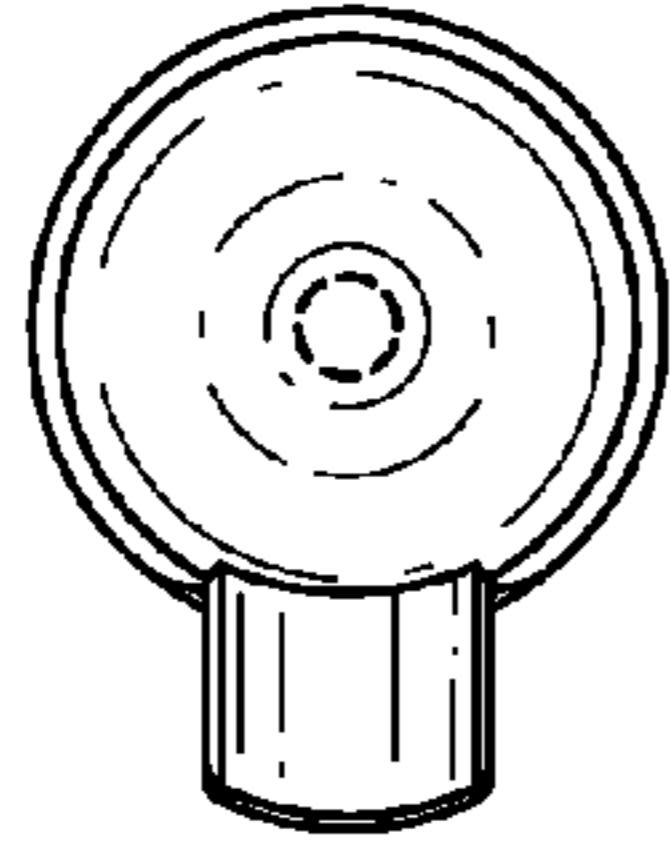
*Fig. 1.*



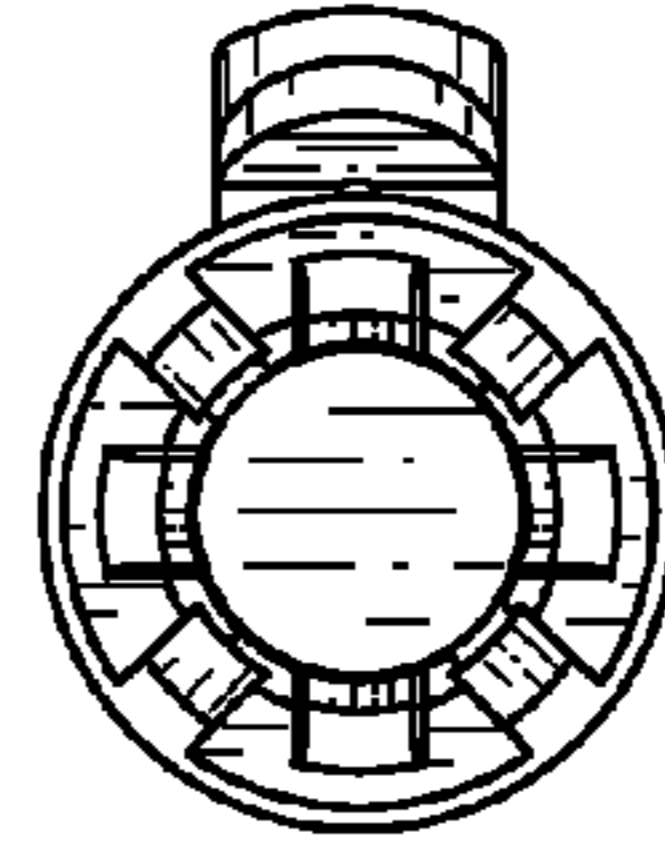
*Fig. 2.*



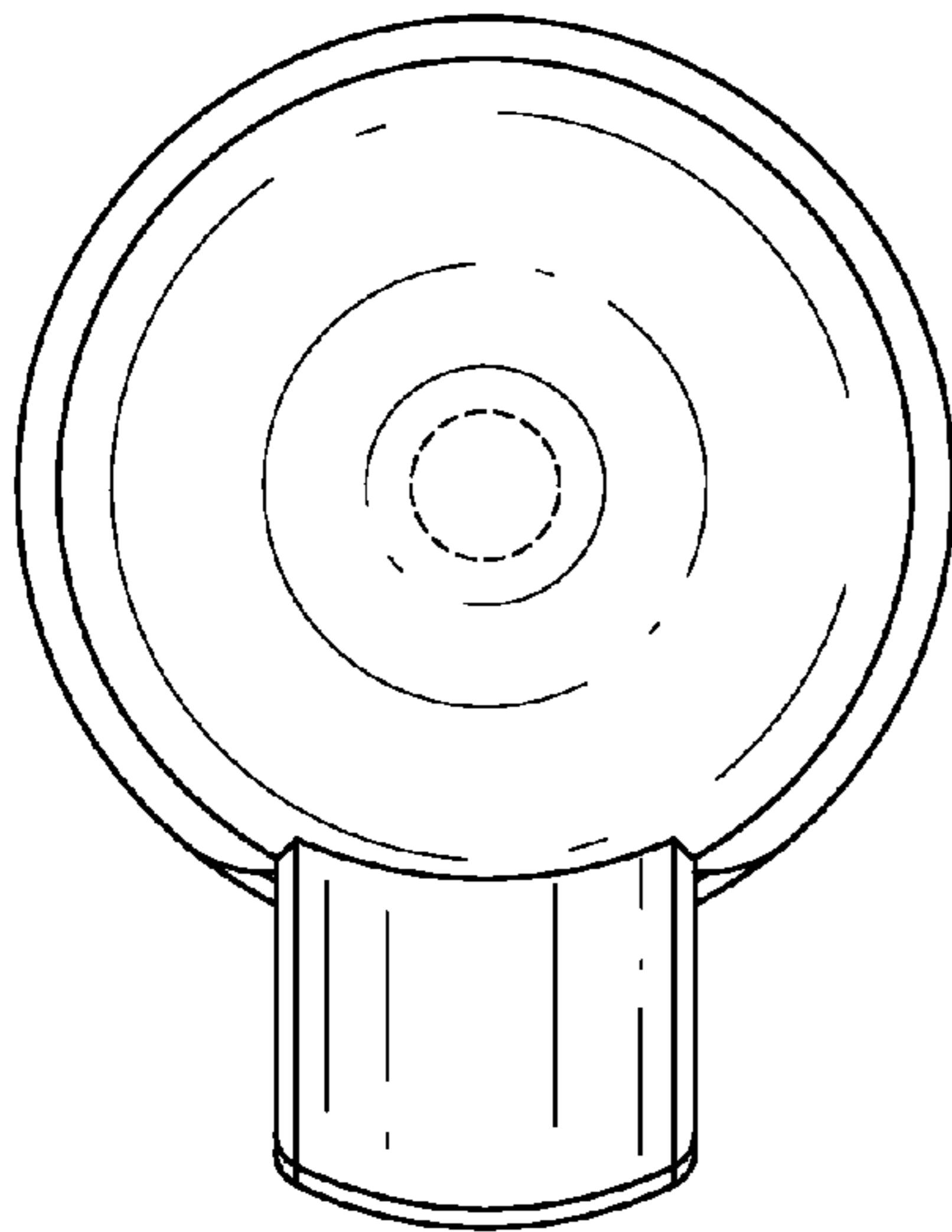
*Fig. 3.*



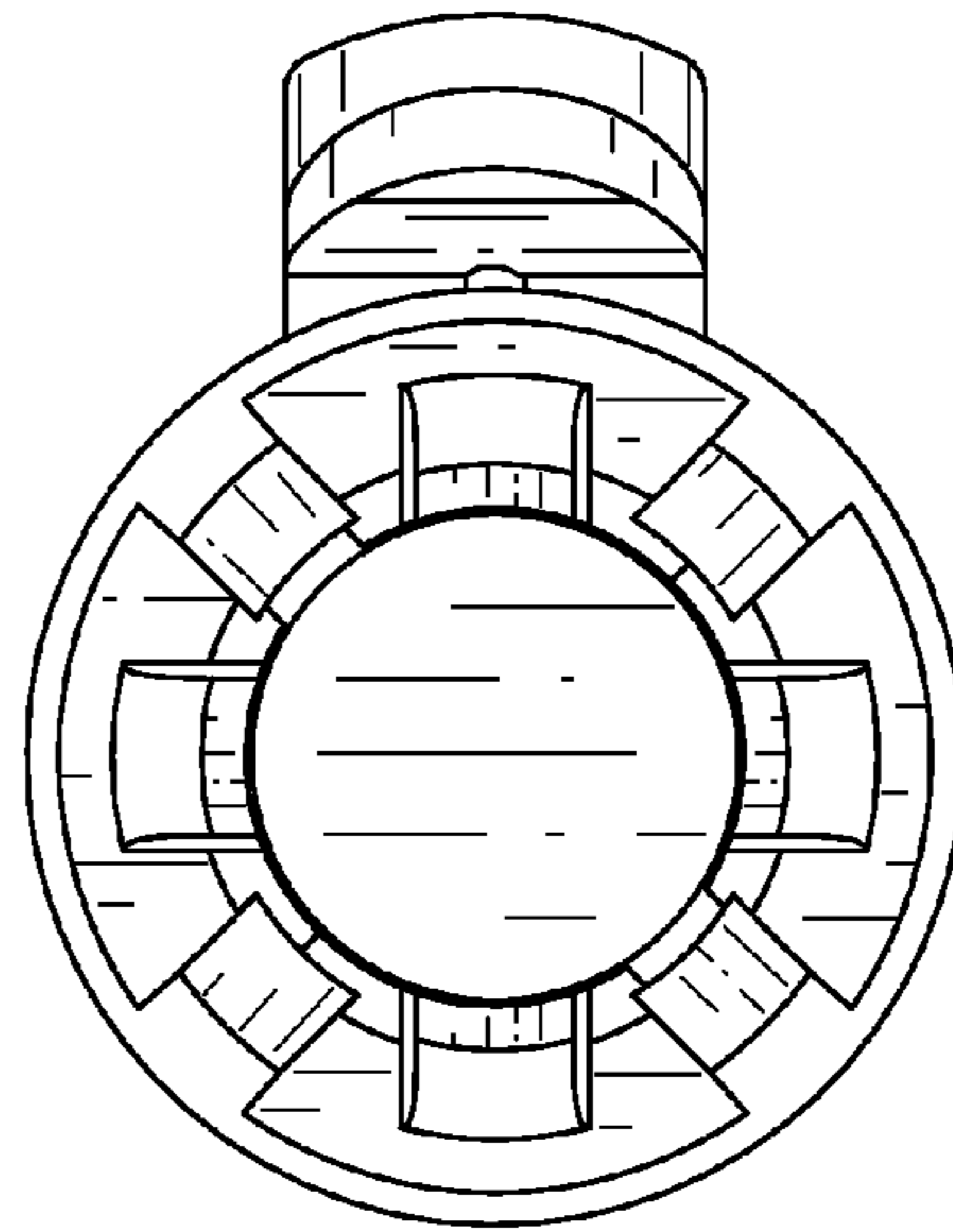
*Fig. 4.*



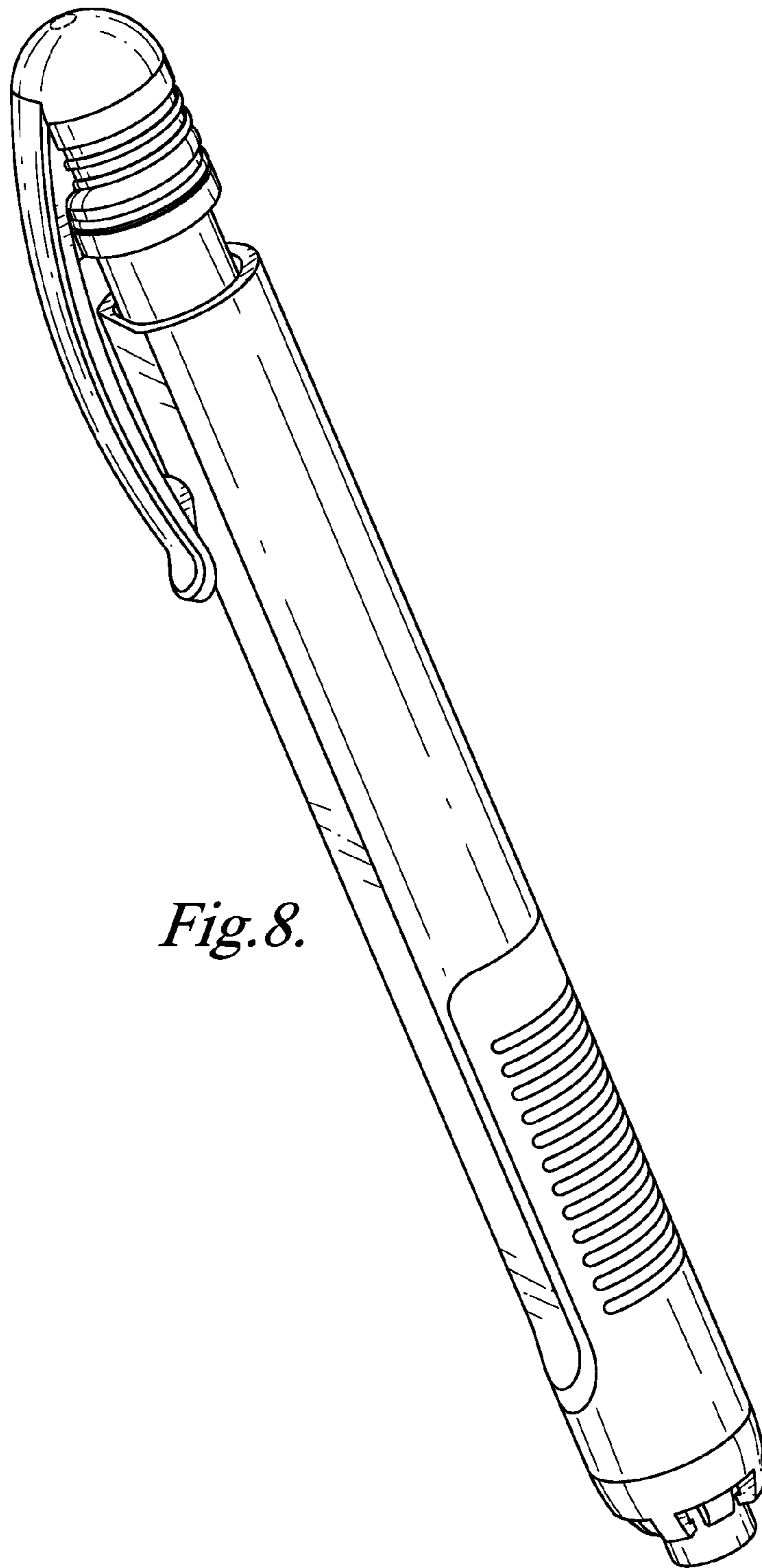
*Fig. 5.*



*Fig. 6.*



*Fig. 7.*



*Fig. 8.*