



US00D685422S

(12) **United States Design Patent**
Busquets

(10) **Patent No.:** **US D685,422 S**
(45) **Date of Patent:** **** Jul. 2, 2013**

- (54) **PEN**
- (75) Inventor: **Jordi Busquets**, Barcelona (ES)
- (73) Assignee: **INOXCROM, S.A.**, Barcelona (ES)
- (**) Term: **14 Years**
- (21) Appl. No.: **29/406,642**
- (22) Filed: **Nov. 17, 2011**
- (30) **Foreign Application Priority Data**
May 27, 2011 (WO) DM/076 128 1
- (51) **LOC (9) Cl.** **19-06**
- (52) **U.S. Cl.**
USPC **D19/48**
- (58) **Field of Classification Search**
USPC .. D14/411; D19/35, 36, 41-51, 54-58; 24/11
F, 11 P, 11 R; 401/52, 99-109, 192, 195,
401/196; D28/7, 76, 88
See application file for complete search history.

- (56) **References Cited**
U.S. PATENT DOCUMENTS
D188,972 S * 10/1960 Young D19/49
D254,912 S * 5/1980 Ito D19/48
D325,221 S * 4/1992 Ito D19/57
D338,038 S * 8/1993 Oka et al. D19/48
D338,686 S * 8/1993 Ito D19/57
D339,162 S * 9/1993 Verhaegue D19/51
D345,578 S * 3/1994 Zier D19/48
D357,699 S * 4/1995 Takanashi D19/48

- D385,916 S * 11/1997 Katami D19/48
- D385,918 S * 11/1997 Katami D19/57
- D488,508 S * 4/2004 Finney et al. D19/51
- D607,511 S * 1/2010 Liu D19/48
- D611,539 S * 3/2010 Zhang D19/51
- D616,935 S * 6/2010 Zhang D19/48
- D618,724 S * 6/2010 Gerules et al. D19/51
- D628,646 S * 12/2010 Zhano D19/51
- D647,967 S * 11/2011 Takanashi D19/54
- D662,983 S * 7/2012 Zhang D19/50
- D666,671 S * 9/2012 Liu D19/51
- 2007/0154253 A1* 7/2007 Keda 401/6

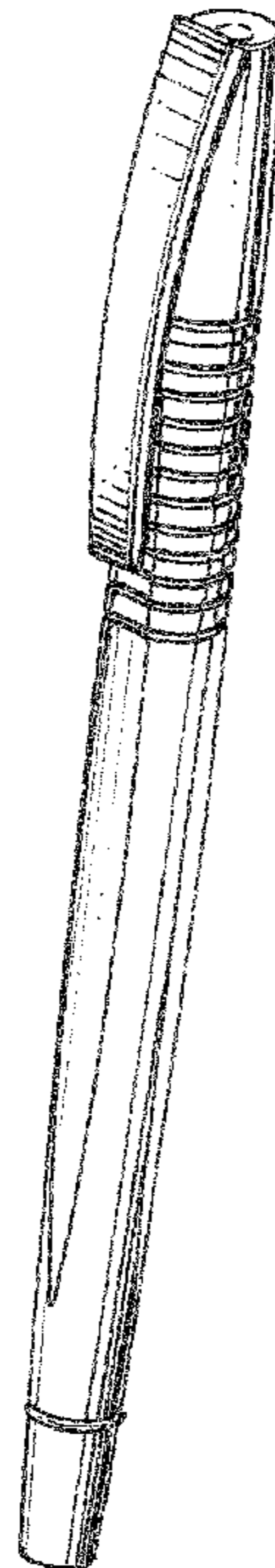
* cited by examiner

Primary Examiner — Elizabeth Albert
(74) *Attorney, Agent, or Firm* — Hess Patent Law Firm LLC;
Robert J. Hess

(57) **CLAIM**
The ornamental design for a pen, as shown and described.

DESCRIPTION
FIG. 1 is a perspective view of a pen in accordance with the invention.
FIG. 2 is a front plan view thereof.
FIG. 3 is a rear plan view thereof.
FIG. 4 is a left plan view thereof.
FIG. 5 is a right plan view thereof.
FIG. 6 is a top plan view thereof; and,
FIG. 7 is a bottom plan view thereof.
The features in broken lines on the top and bottom in FIGS. 6 and 7 are included for the purpose of showing portions of the pen that form no part of the claimed design.

1 Claim, 6 Drawing Sheets



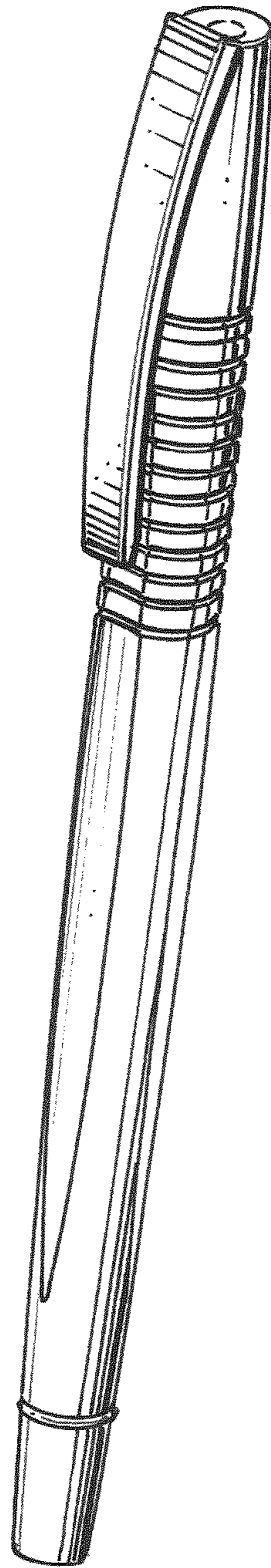


FIG. 1

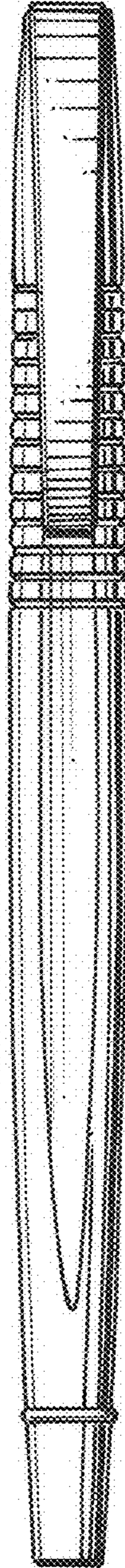


FIG. 2

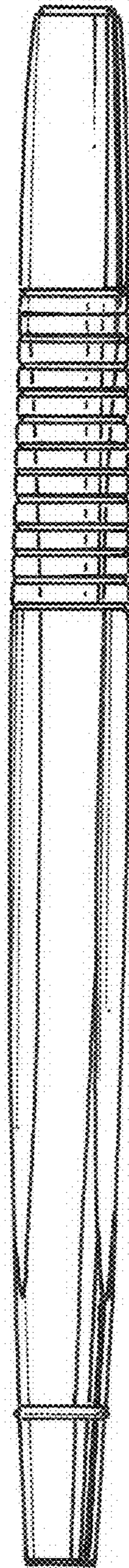


FIG. 3

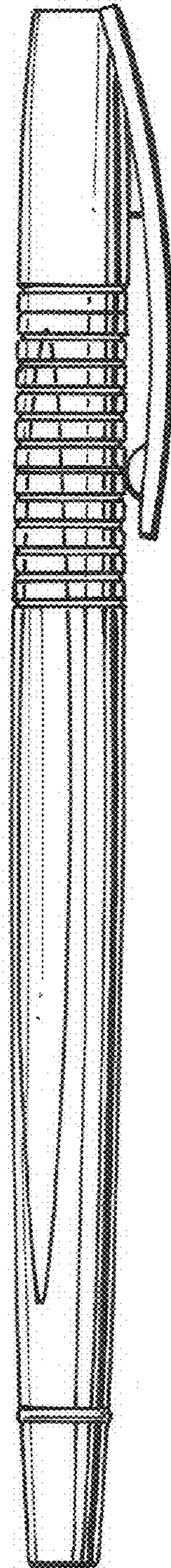


FIG. 4

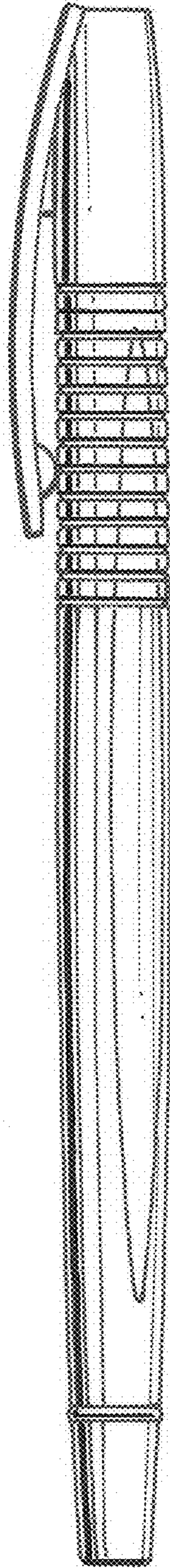


FIG. 5

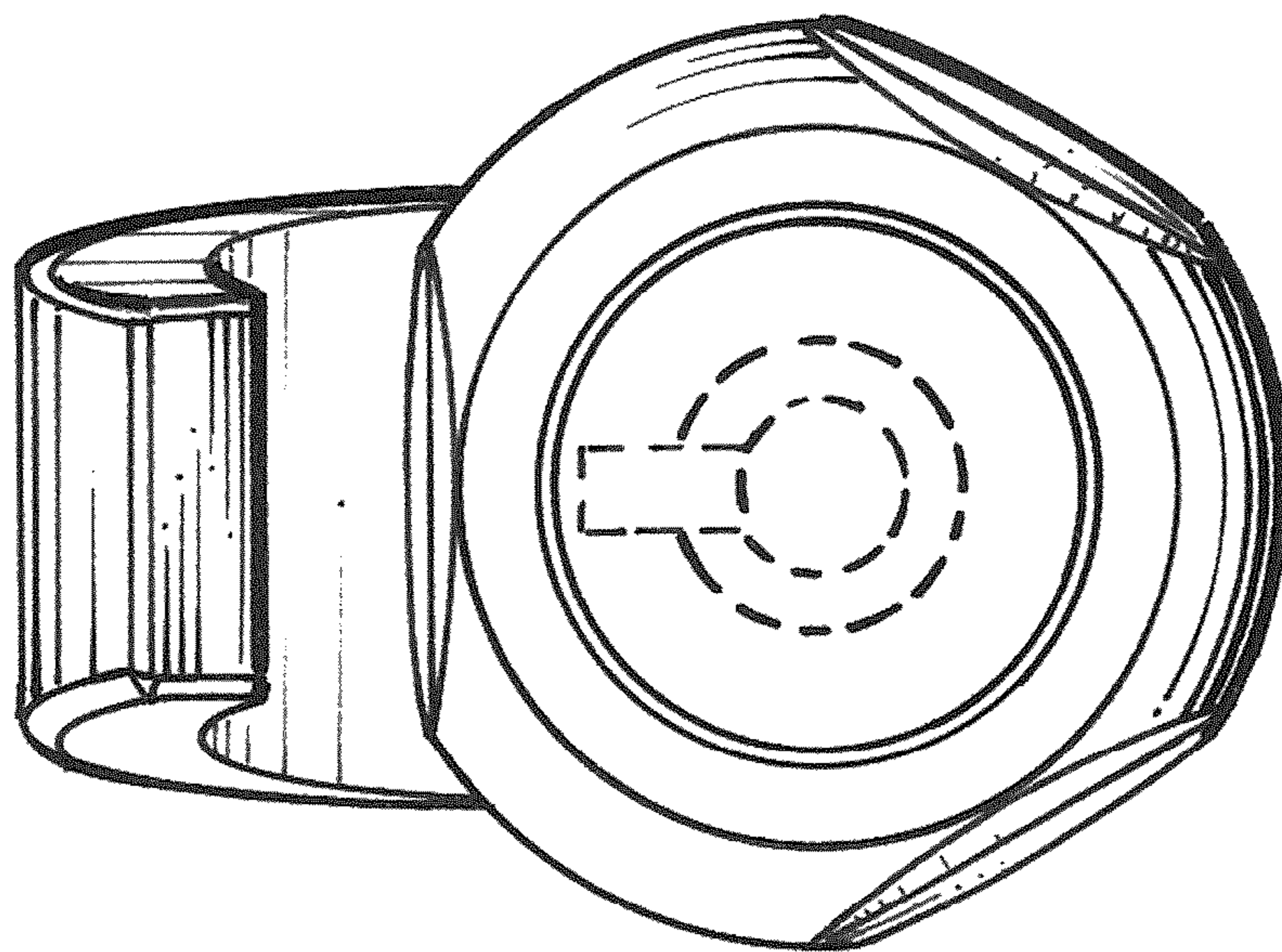


FIG. 6

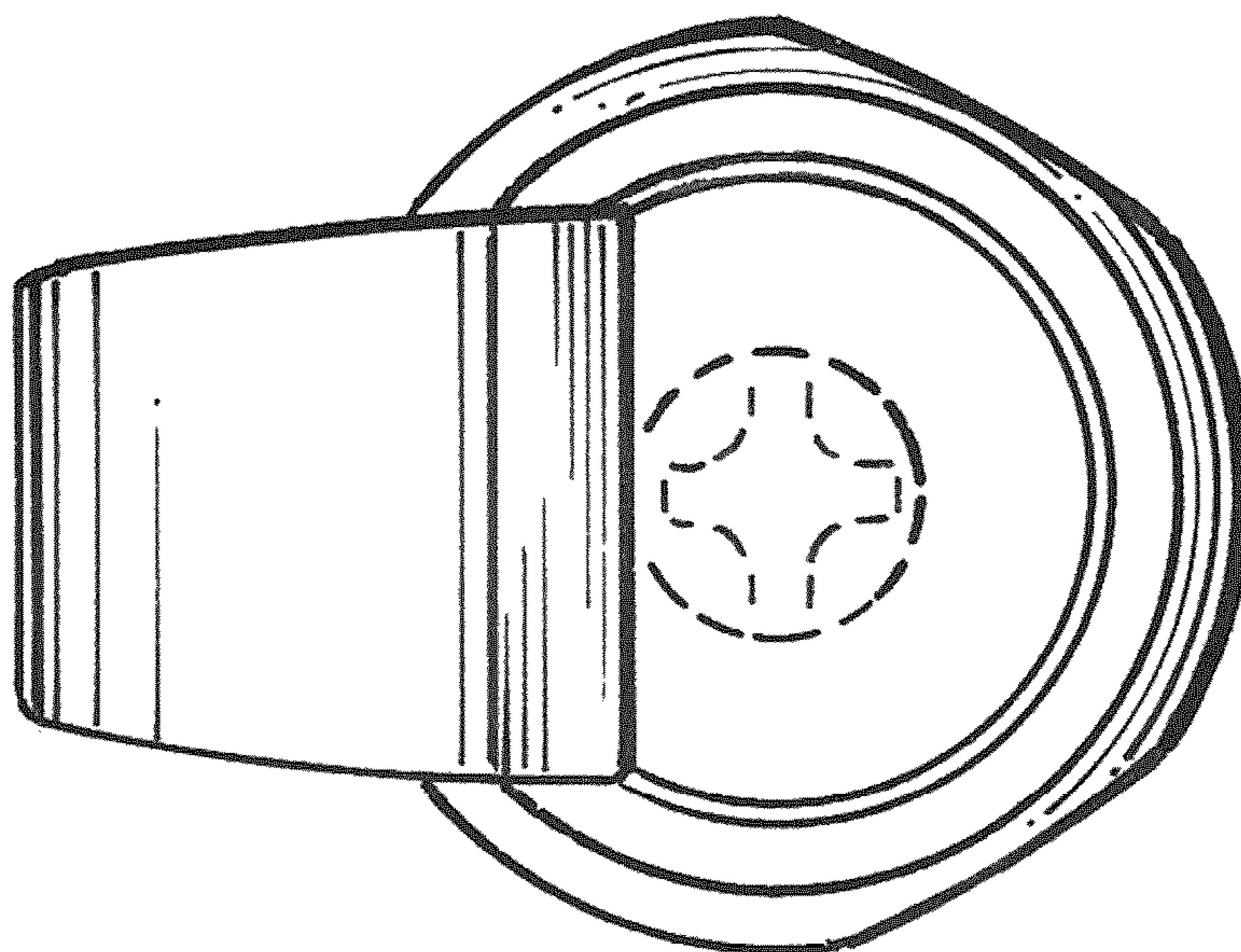


FIG. 7