



US00D685421S

(12) **United States Design Patent**
Jiang

(10) **Patent No.:** **US D685,421 S**

(45) **Date of Patent:** **** Jul. 2, 2013**

(54) **MARKER**

(75) Inventor: **Linghua Jiang**, Ningbo (CN)

(73) Assignee: **Beifa Group Co., Ltd.**, Ningbo (CN)

(**) Term: **14 Years**

(21) Appl. No.: **29/418,640**

(22) Filed: **Apr. 18, 2012**

(30) **Foreign Application Priority Data**

Oct. 18, 2011 (CN) 2011 3 0369013

(51) **LOC (9) Cl.** **19-06**

(52) **U.S. Cl.**
USPC **D19/43**

(58) **Field of Classification Search**
USPC .. D14/411; D19/35, 36, 41-51, 54-58; 24/11
F, 11 P, 11 R; 401/52, 99-109, 192, 195,
401/196

See application file for complete search history.

(56) **References Cited**

U.S. PATENT DOCUMENTS

D205,330	S	*	7/1966	Capezzuto	D19/43
3,776,673	A	*	12/1973	DeGroft	425/125
4,872,777	A	*	10/1989	Dalbke	401/199
6,247,865	B1	*	6/2001	Russell et al.	401/202
D493,832	S	*	8/2004	Hung	D19/43
D497,949	S	*	11/2004	Furlong et al.	D19/43
D534,211	S	*	12/2006	Kent	
D540,865	S	*	4/2007	Beno et al.	D19/43

D547,801	S	*	7/2007	Oka	D19/43
D562,395	S	*	2/2008	Qiu et al.	D19/51
D569,428	S	*	5/2008	Qiu	
D597,598	S	*	8/2009	Ma	D19/41
D605,696	S	*	12/2009	Ma	
D667,499	S	*	9/2012	Lira-Nunez et al.	D19/43

OTHER PUBLICATIONS

Qiu, Z., and L. Li, "Highlighter," U.S. Appl. No. 29/277,084, filed Feb. 13, 2007.

* cited by examiner

Primary Examiner — Elizabeth Albert

(74) *Attorney, Agent, or Firm* — Christensen O'Connor Johnson Kindness PLLC

(57) **CLAIM**

The ornamental design for a marker, as shown and described.

DESCRIPTION

FIG. 1 is a lower front right perspective view of a marker showing my new design;

FIG. 2 is an upper front right perspective view thereof;

FIG. 3 is a front elevation view thereof, with the rear elevation view being a mirror image of the front elevation view;

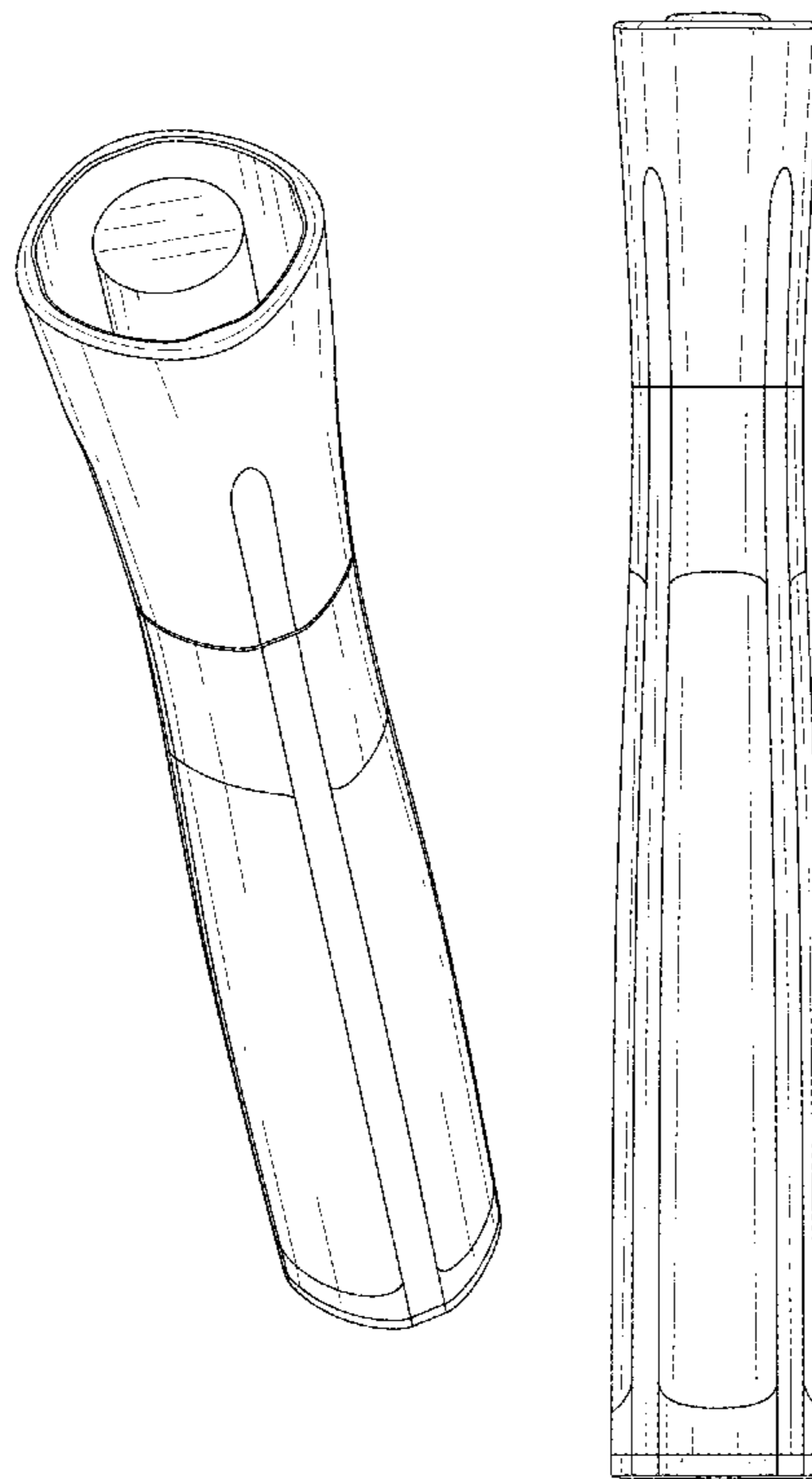
FIG. 4 is a left side elevation view thereof, with the right side elevation view being a mirror image of the left side elevation view;

FIG. 5 is an enlarged top plan view thereof; and,

FIG. 6 is an enlarged bottom plan view thereof.

The broken lines shown in FIGS. 5 and 6 illustrate boundaries of the claim and form no part of the claimed design.

1 Claim, 4 Drawing Sheets



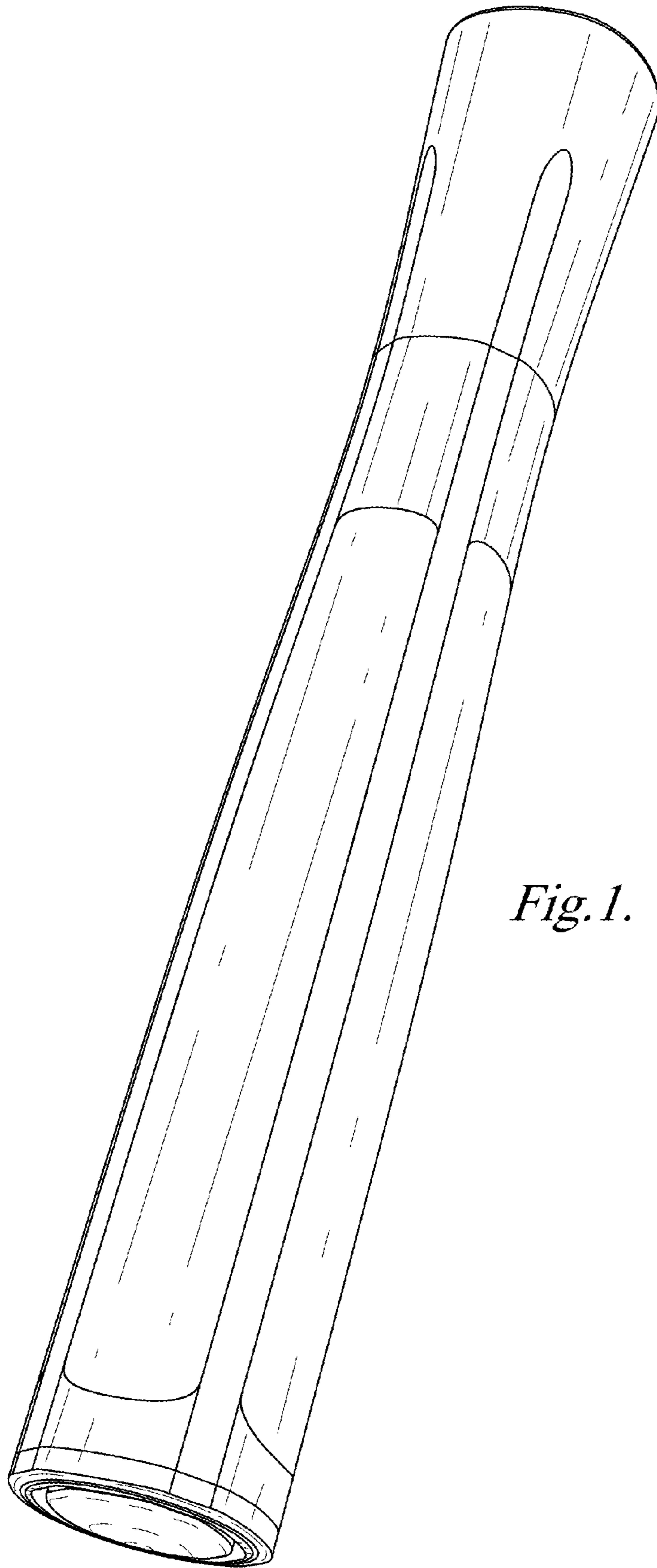


Fig. 1.

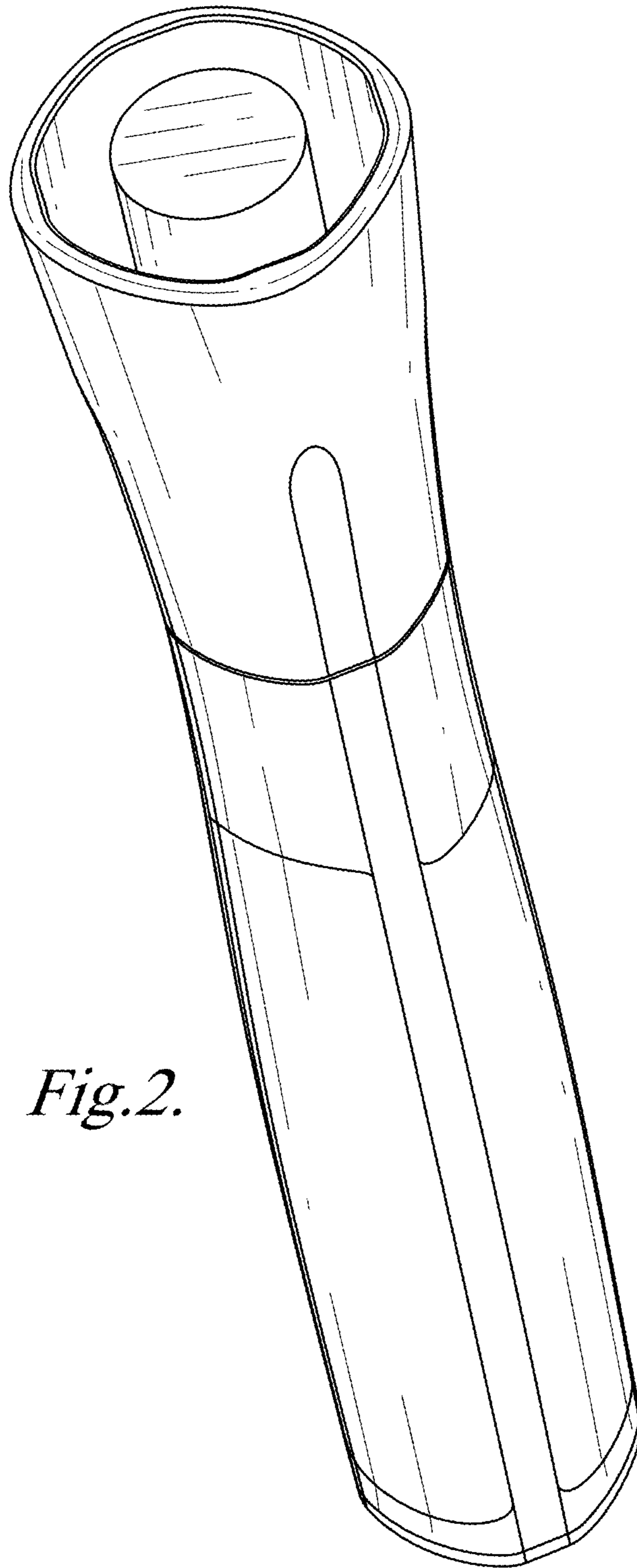


Fig.2.

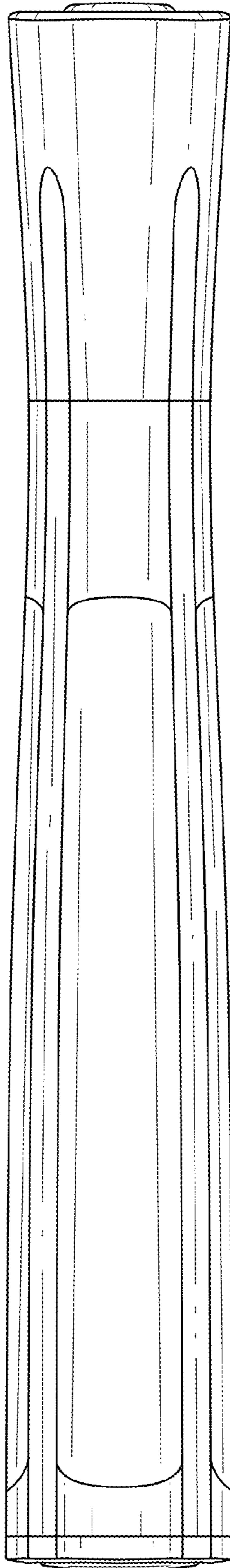


Fig.3.

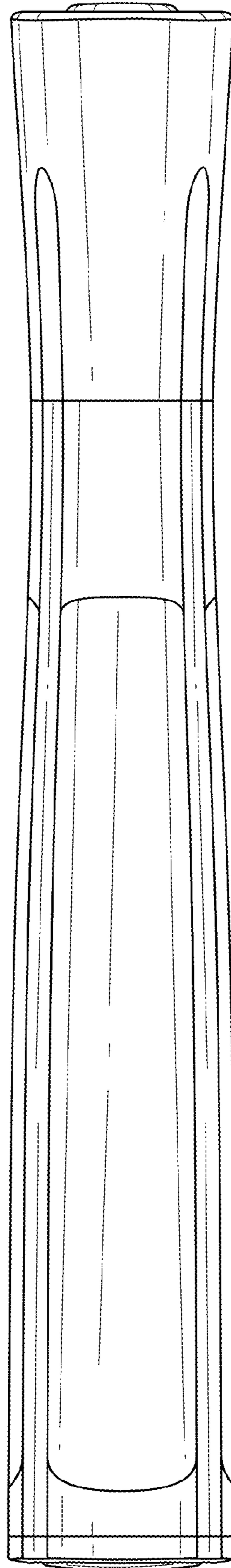


Fig.4.

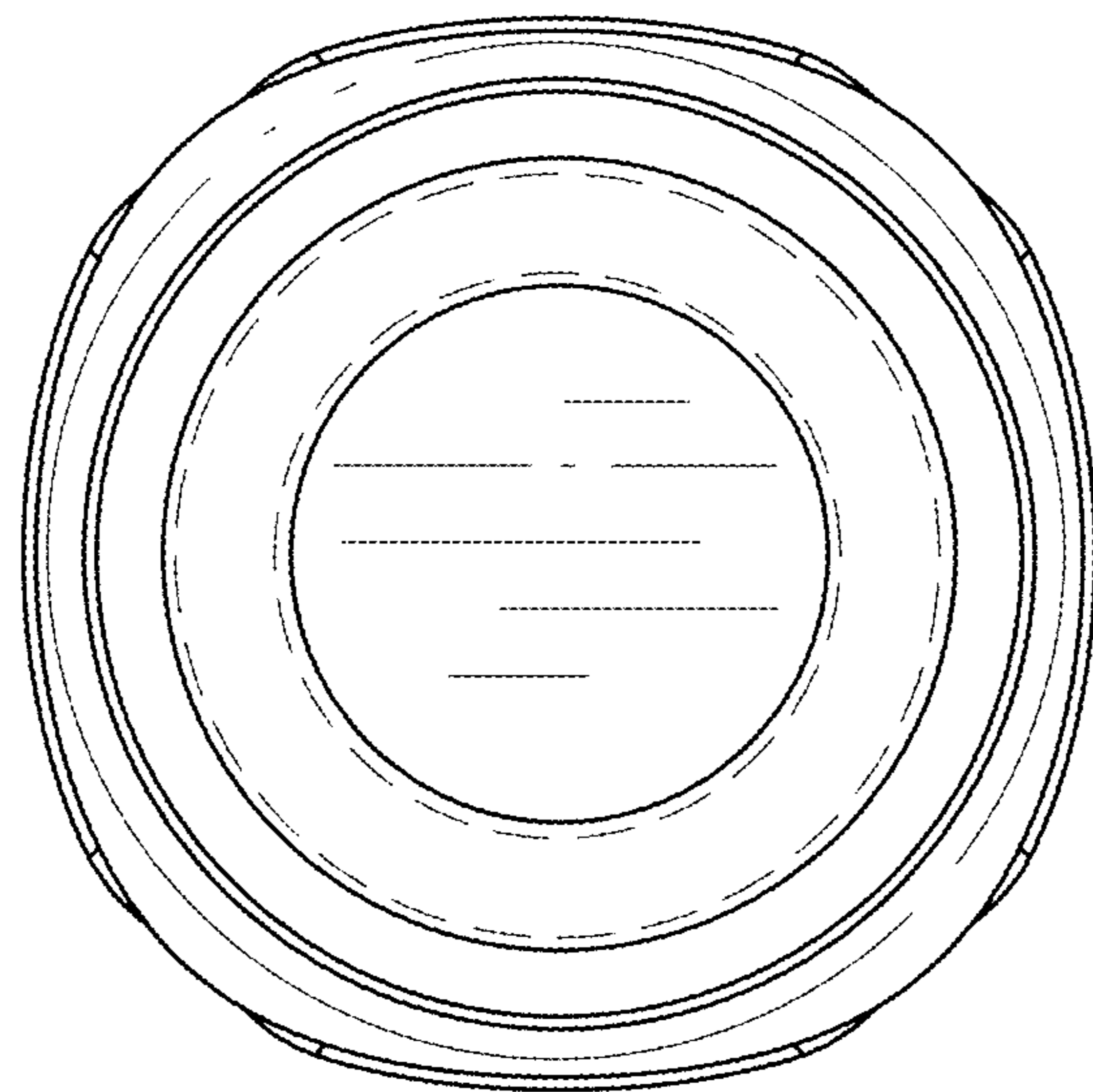


Fig. 5.

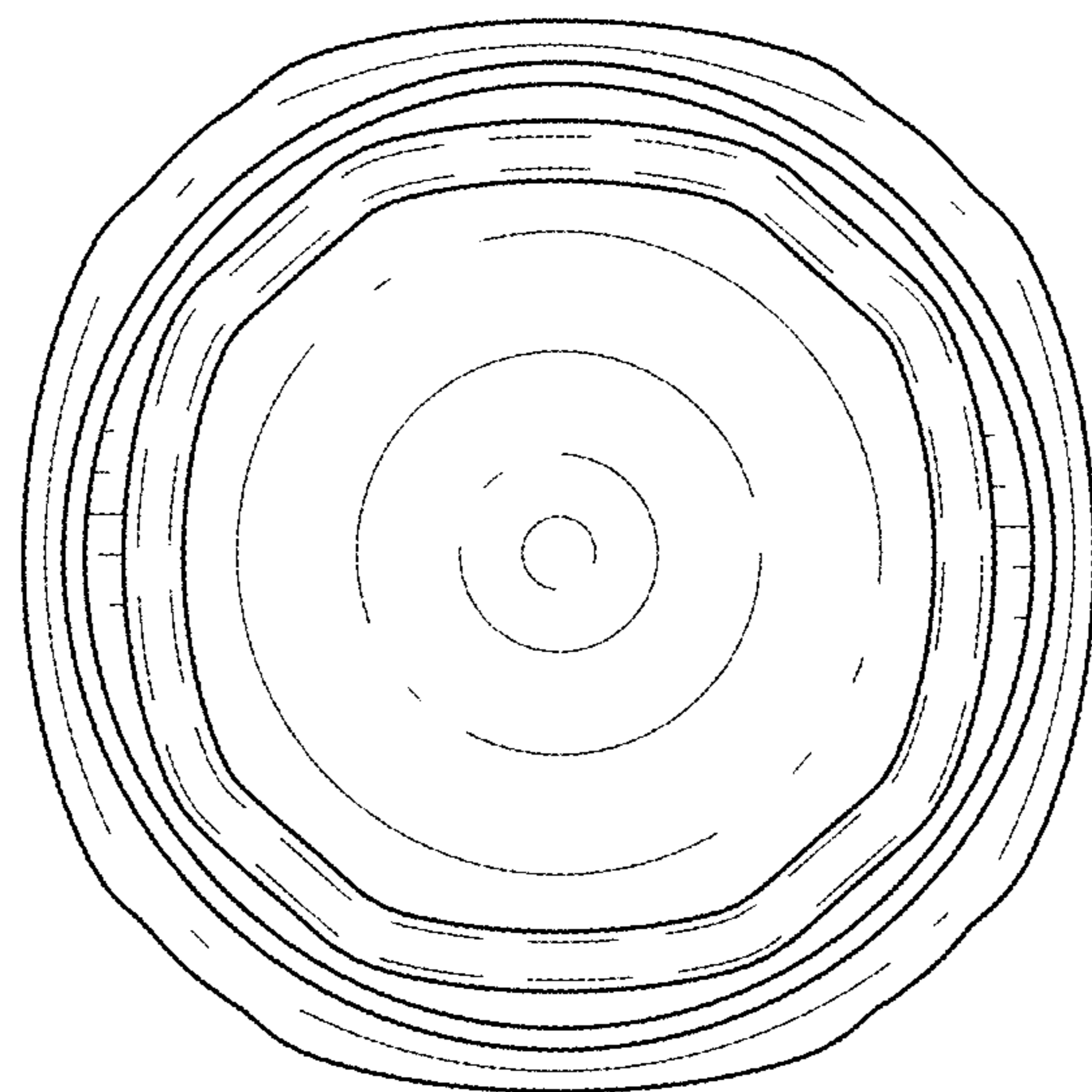


Fig. 6.