



US00D685420S

(12) **United States Design Patent**
Jin

(10) **Patent No.:** **US D685,420 S**
(45) **Date of Patent:** **** Jul. 2, 2013**

(54) **MULTI-COLOR PEN**

(75) Inventor: **Renji Jin**, Ningbo (CN)

(73) Assignee: **Beifa Group Co., Ltd.**, Ningbo (CN)

(**) Term: **14 Years**

(21) Appl. No.: **29/420,290**

(22) Filed: **May 7, 2012**

(30) **Foreign Application Priority Data**

Nov. 9, 2011 (CN) 2011 3 0408498

(51) **LOC (9) Cl.** **19-06**

(52) **U.S. Cl.**
USPC **D19/36**

(58) **Field of Classification Search**
USPC .. D14/411; D19/35, 36, 41-51, 54-58; 24/11
24/F, 11 P, 11 R; 401/52, 99-109, 192, 195,
401/196

See application file for complete search history.

(56) **References Cited**

U.S. PATENT DOCUMENTS

D73,670	S	*	10/1927	Reckford	D19/58
2,344,447	A	*	3/1944	Meier	401/33
2,354,402	A	*	7/1944	Petruccione et al.	206/225
3,260,242	A	*	7/1966	Liguori	401/31
D321,720	S	*	11/1991	Sakurada	D19/51
D327,703	S	*	7/1992	Katami	D19/36
D353,619	S	*	12/1994	Kneller	D19/36
D357,275	S	*	4/1995	Covington et al.	D19/42

D395,799	S	*	7/1998	Lowther	D7/635
D408,854	S	*	4/1999	Katami	D19/51
D411,858	S	*	7/1999	Katami	D19/51
D427,241	S		6/2000	Izushima		
D453,790	S		2/2002	Tsuchikura		
D501,031	S	*	1/2005	Lecce	D19/51
D502,503	S	*	3/2005	Kimura	D19/36
6,899,482	B2	*	5/2005	Katami	401/31
D593,602	S	*	6/2009	Katami et al.	D19/36
D605,699	S	*	12/2009	Li	D19/48
D611,537	S	*	3/2010	Rolion et al.	D19/50

* cited by examiner

Primary Examiner — Elizabeth Albert

(74) *Attorney, Agent, or Firm* — Christensen O'Connor Johnson Kindness PLLC

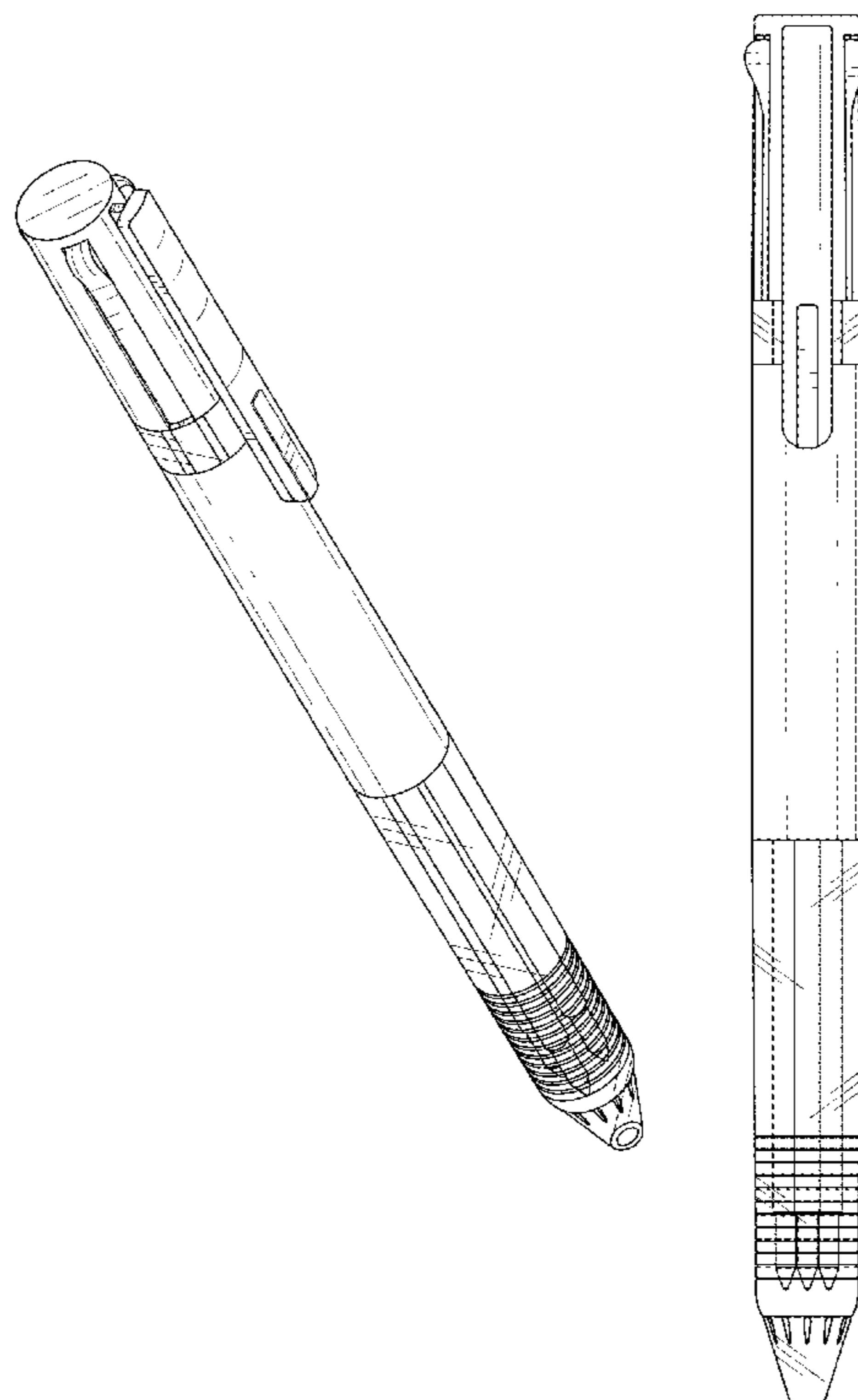
(57) **CLAIM**

The ornamental design for a multi-color pen, as shown and described.

DESCRIPTION

FIG. 1 is an upper front left perspective view of a multi-color pen showing my new design;
 FIG. 2 is a front elevation view thereof;
 FIG. 3 is a rear elevation view thereof;
 FIG. 4 is a right side elevation view thereof, with the left side elevation view being a mirror image of the right side elevation view;
 FIG. 5 is an enlarged top plan view thereof; and,
 FIG. 6 is an enlarged bottom plan view thereof.

1 Claim, 3 Drawing Sheets



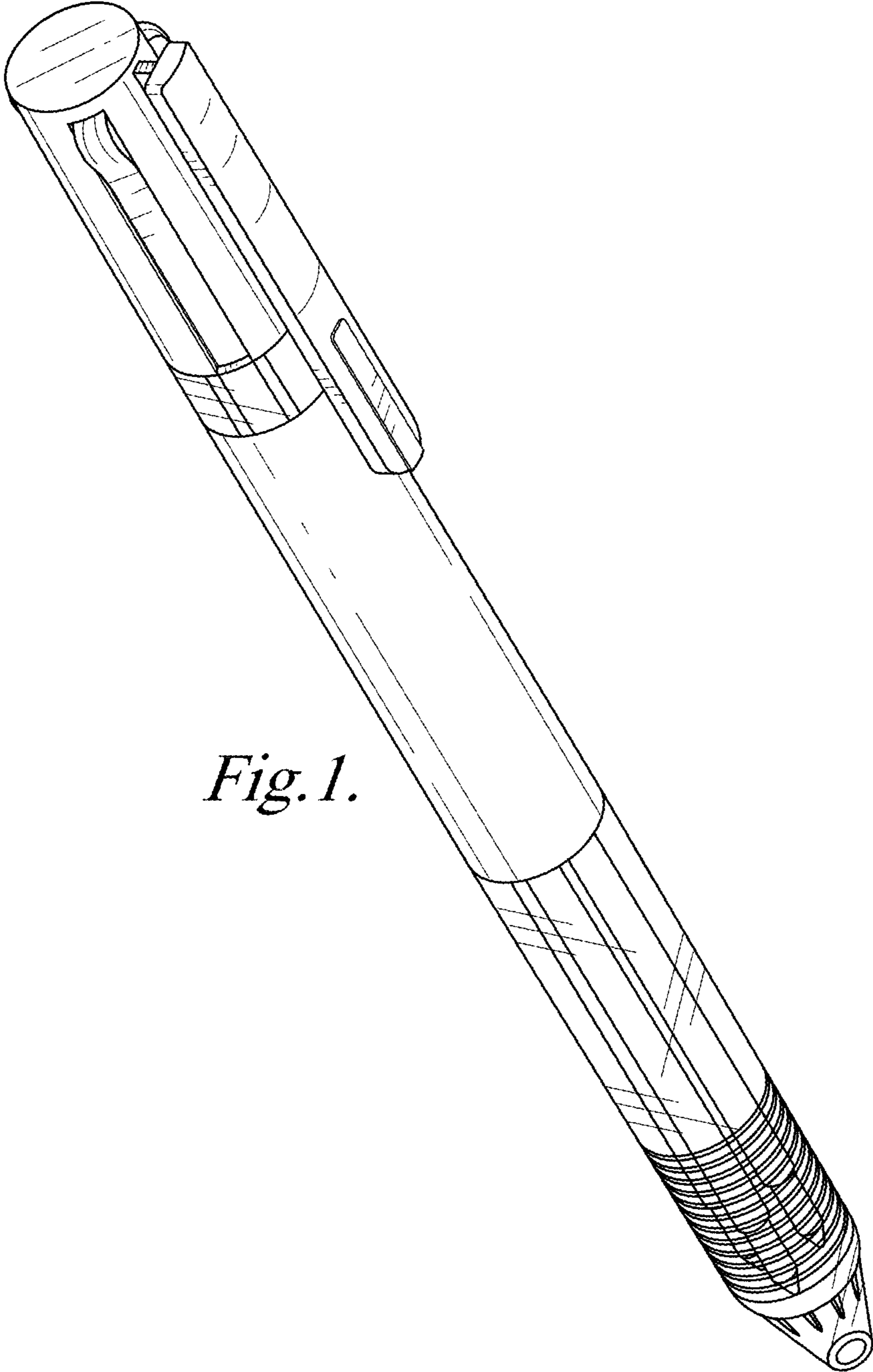


Fig. 1.

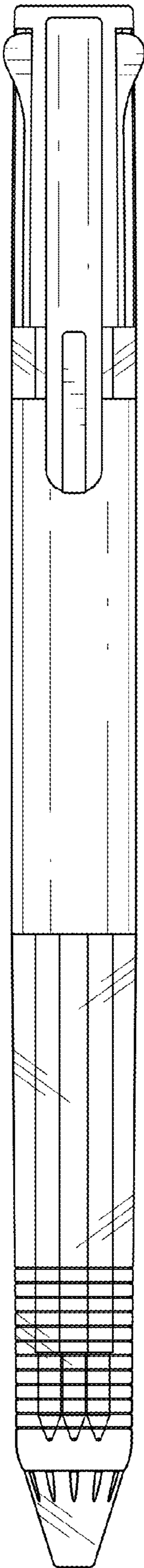


Fig. 2.

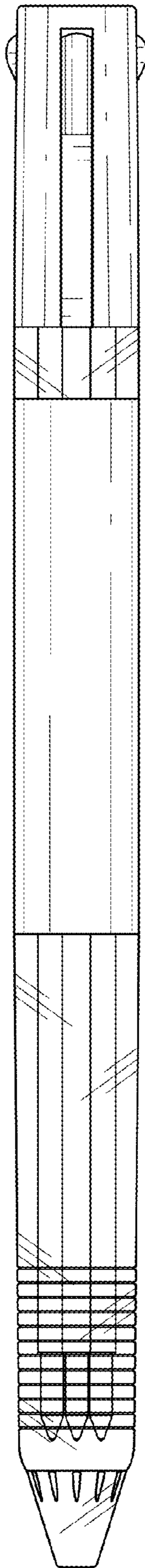


Fig. 3.

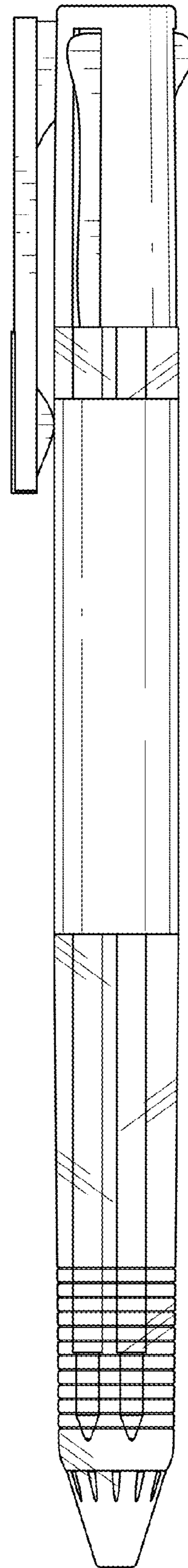


Fig. 4.

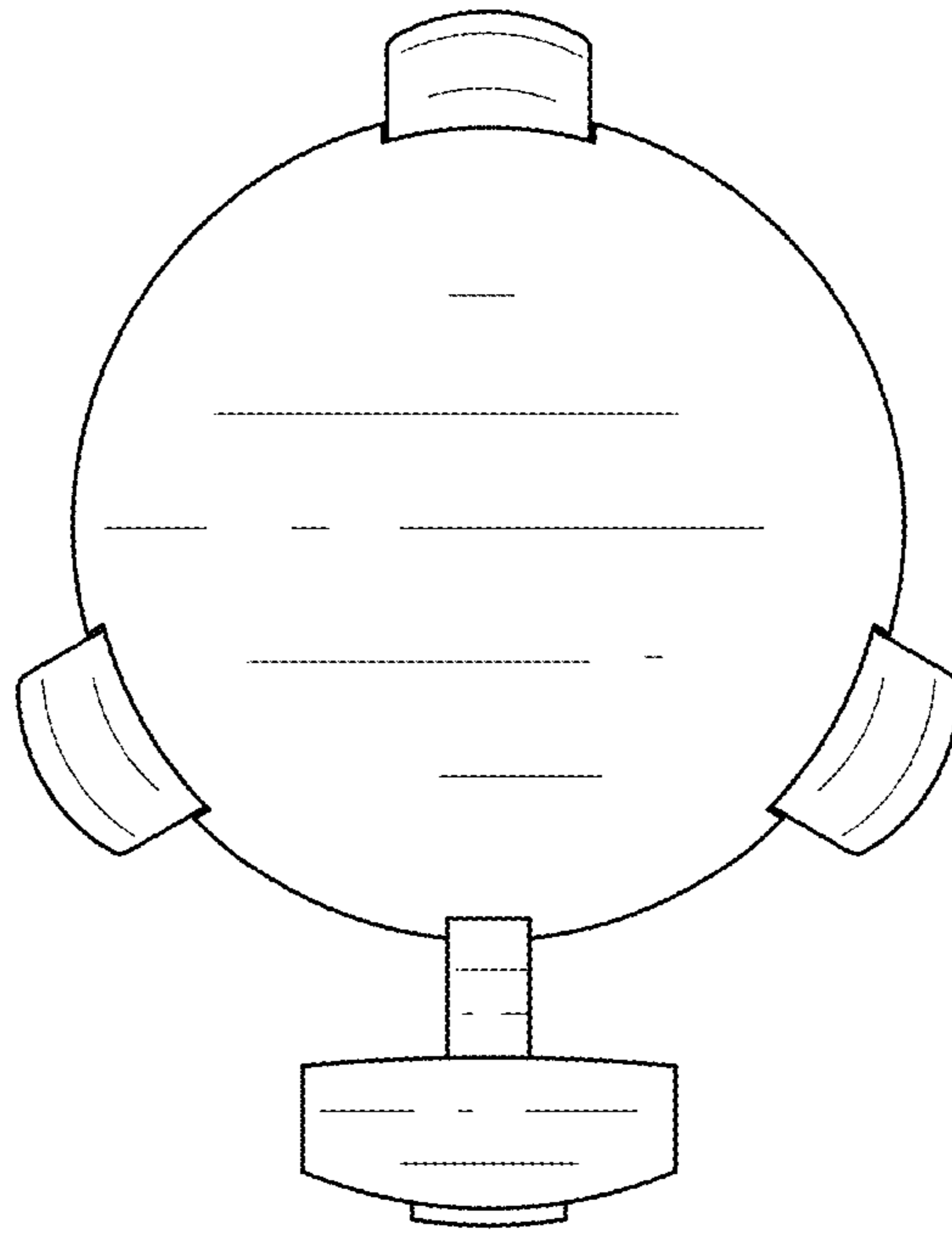


Fig. 5.

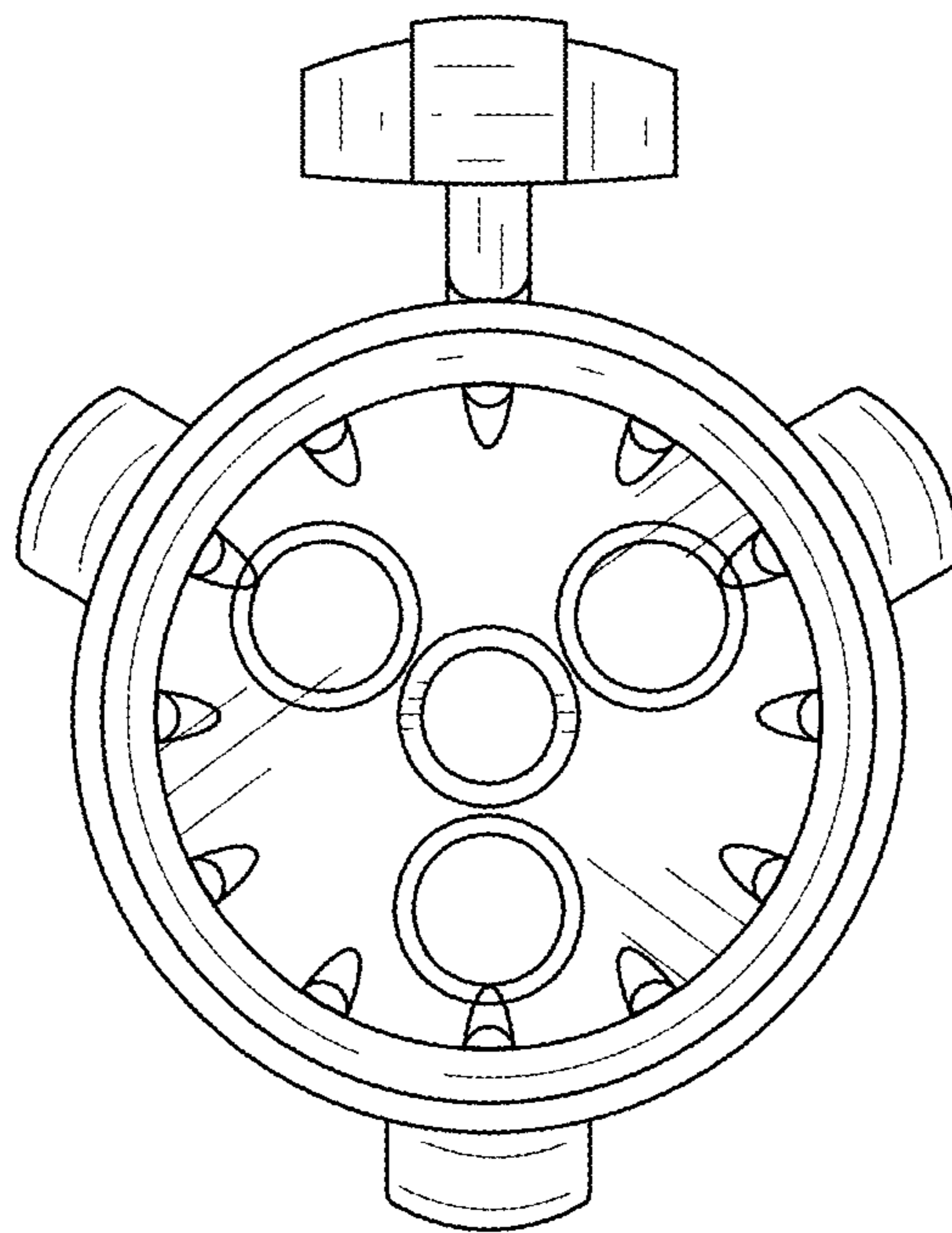


Fig. 6.