



US00D685417S

(12) **United States Design Patent**
Wakatabi

(10) **Patent No.:** **US D685,417 S**
(45) **Date of Patent:** **** Jul. 2, 2013**

(54) **PAPER FOR ENVELOPE**

(71) Applicant: **Riso Kagaku Corporation**, Tokyo (JP)

(72) Inventor: **Tadayuki Wakatabi**, Ibaraki-ken (JP)

(73) Assignee: **Riso Kagaku Corporation**, Tokyo (JP)

(**) Term: **14 Years**

(21) Appl. No.: **29/436,794**

(22) Filed: **Nov. 9, 2012**

(30) **Foreign Application Priority Data**

May 11, 2012 (JP) D2012-011068

(51) **LOC (9) Cl.** **19-01**

(52) **U.S. Cl.**
USPC **D19/3**

(58) **Field of Classification Search**
USPC D19/1-8, 75, 86, 100; 229/67.4,
229/928, 307, 92; 206/449, 424, 308.1, 308.3,
206/309, 313; 462/64-65; D20/27, 22, 40;
40/672, 124.01-124.15; D3/303, 227, 20;
383/61.1, 84; 283/72, 74-75, 103, 105-106,
283/116-117; D9/433

See application file for complete search history.

(56) **References Cited**

U.S. PATENT DOCUMENTS

D312,656 S * 12/1990 Huber D19/3
D322,457 S * 12/1991 Forbes, Jr. D19/3
D383,160 S * 9/1997 Hiersteiner D19/12
D421,459 S * 3/2000 Cobb D19/3
D452,267 S * 12/2001 Makofsky et al. D19/3

D534,583 S * 1/2007 Wagoner et al. D19/3
D536,375 S * 2/2007 Potter et al. D19/3
D577,765 S * 9/2008 Taute D19/3
D616,930 S * 6/2010 Engel et al. D19/3

* cited by examiner

Primary Examiner — Caron D Veynar

Assistant Examiner — Abraham Bahta

(74) *Attorney, Agent, or Firm* — Nath, Goldberg & Meyer;
Jerald L. Meyer; Sanjana Mangalagiri

(57) **CLAIM**

The ornamental design for paper for envelope, as shown and described.

DESCRIPTION

FIG. 1 is a front view of paper for envelope;
FIG. 2 is a rear view thereof;
FIG. 3 is a right side view thereof;
FIG. 4 is a top plan view thereof;
FIG. 5 is an enlarged view taken at the portion 5 of FIG. 1 showing a hole and other parts at the corner;
FIG. 6 is a front view of paper for envelope showing the second embodiment of my new design;
FIG. 7 is a rear view thereof;
FIG. 8 is a right side view thereof;
FIG. 9 is a top plan view thereof; and,
FIG. 10 is an enlarged view taken at the portion 10 of FIG. 6. The broken lines showing on the drawing disclosure are for showing unclaimed subject matter and form no part of the claimed design. The dot-dash lines indicate conceptual border lines between the claimed portions and the disclaimed portion.

1 Claim, 4 Drawing Sheets

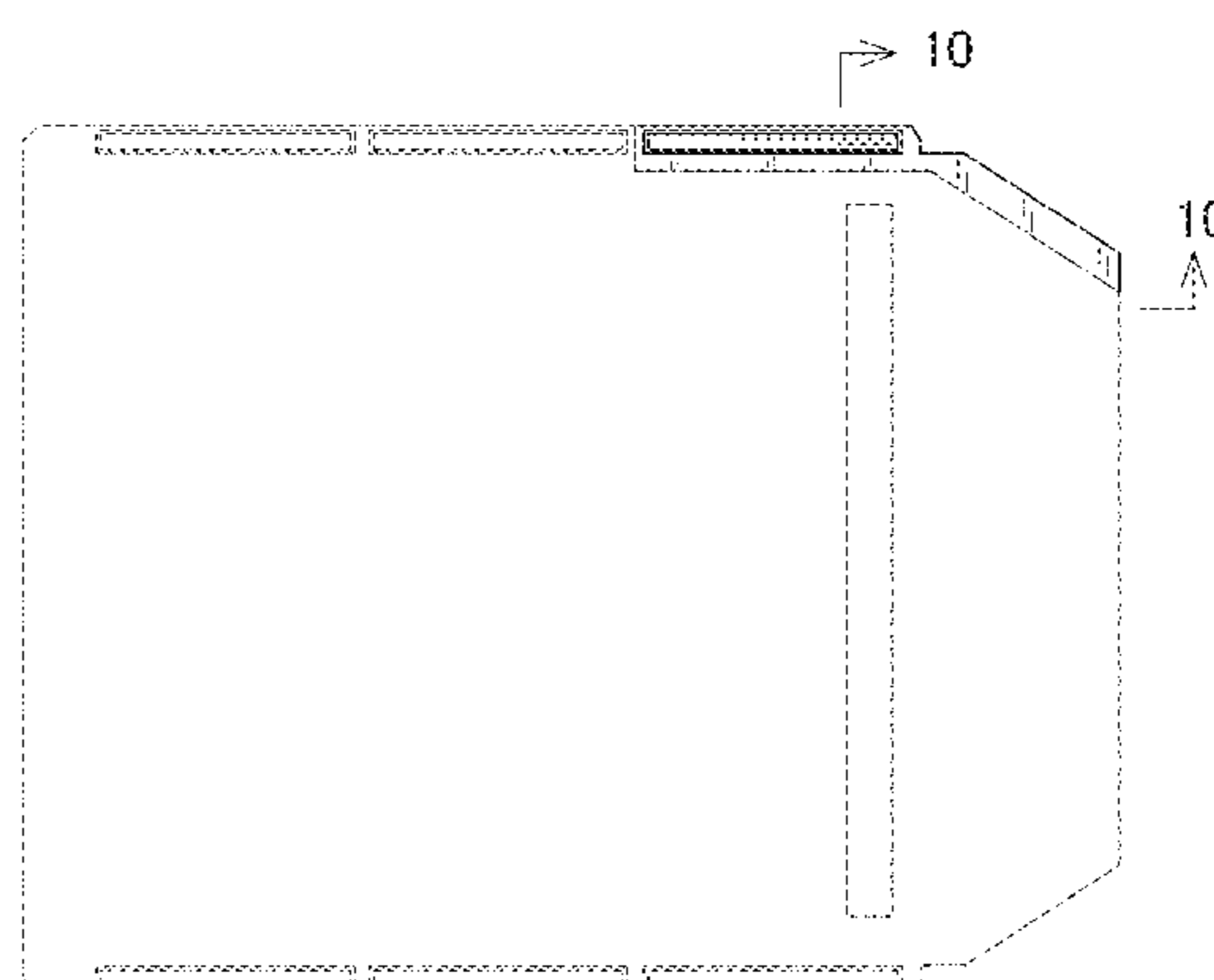
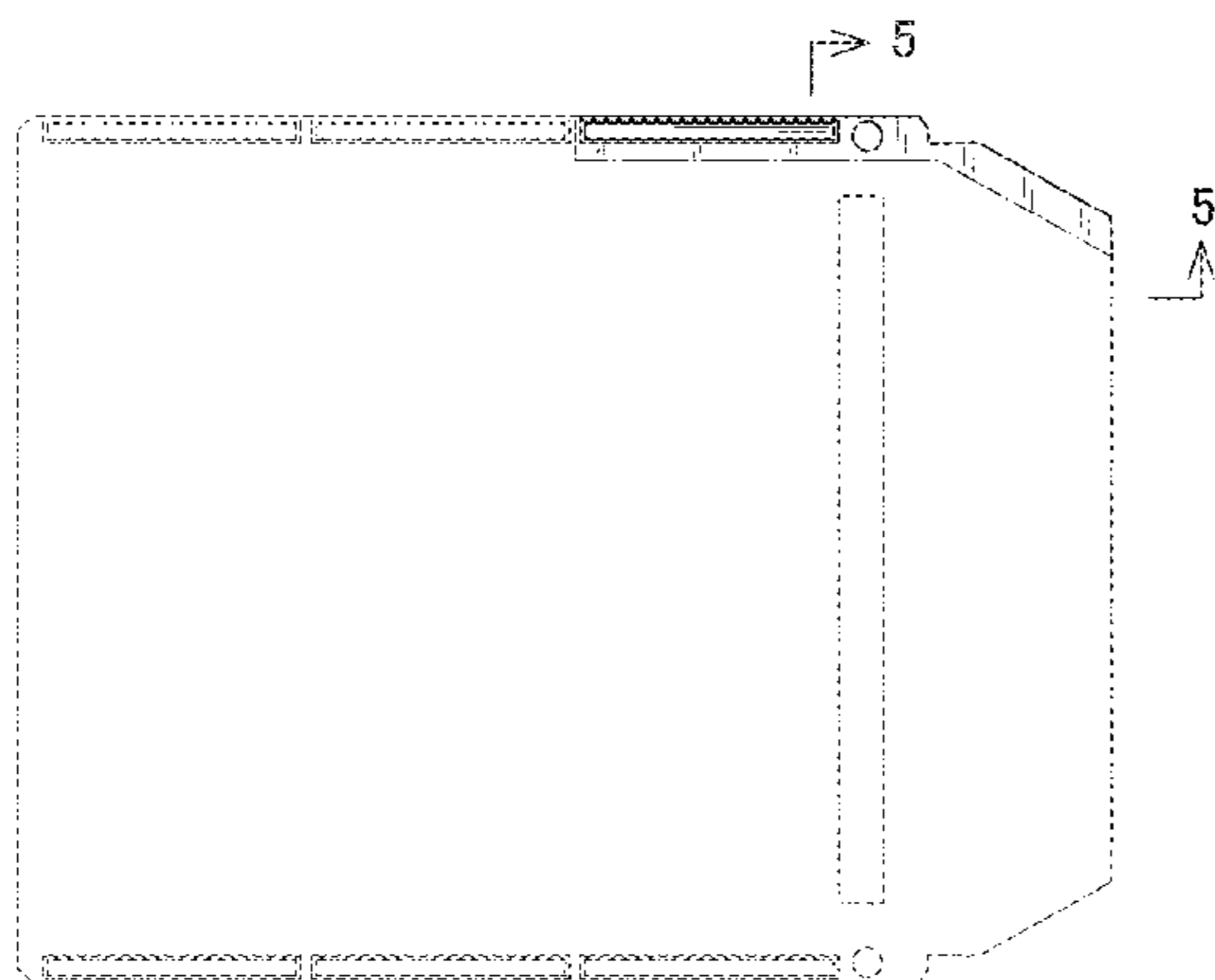


Fig. 1

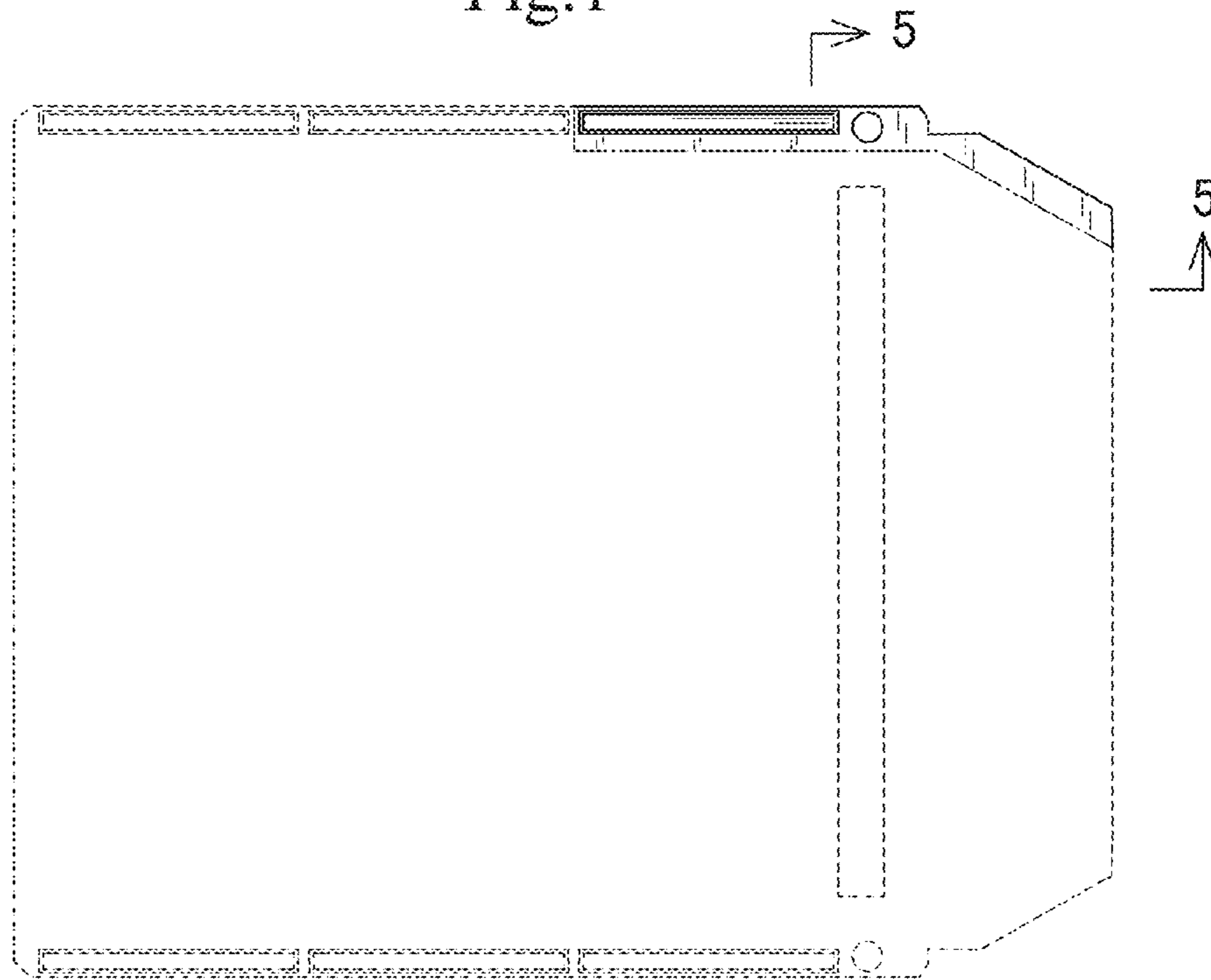


Fig. 2

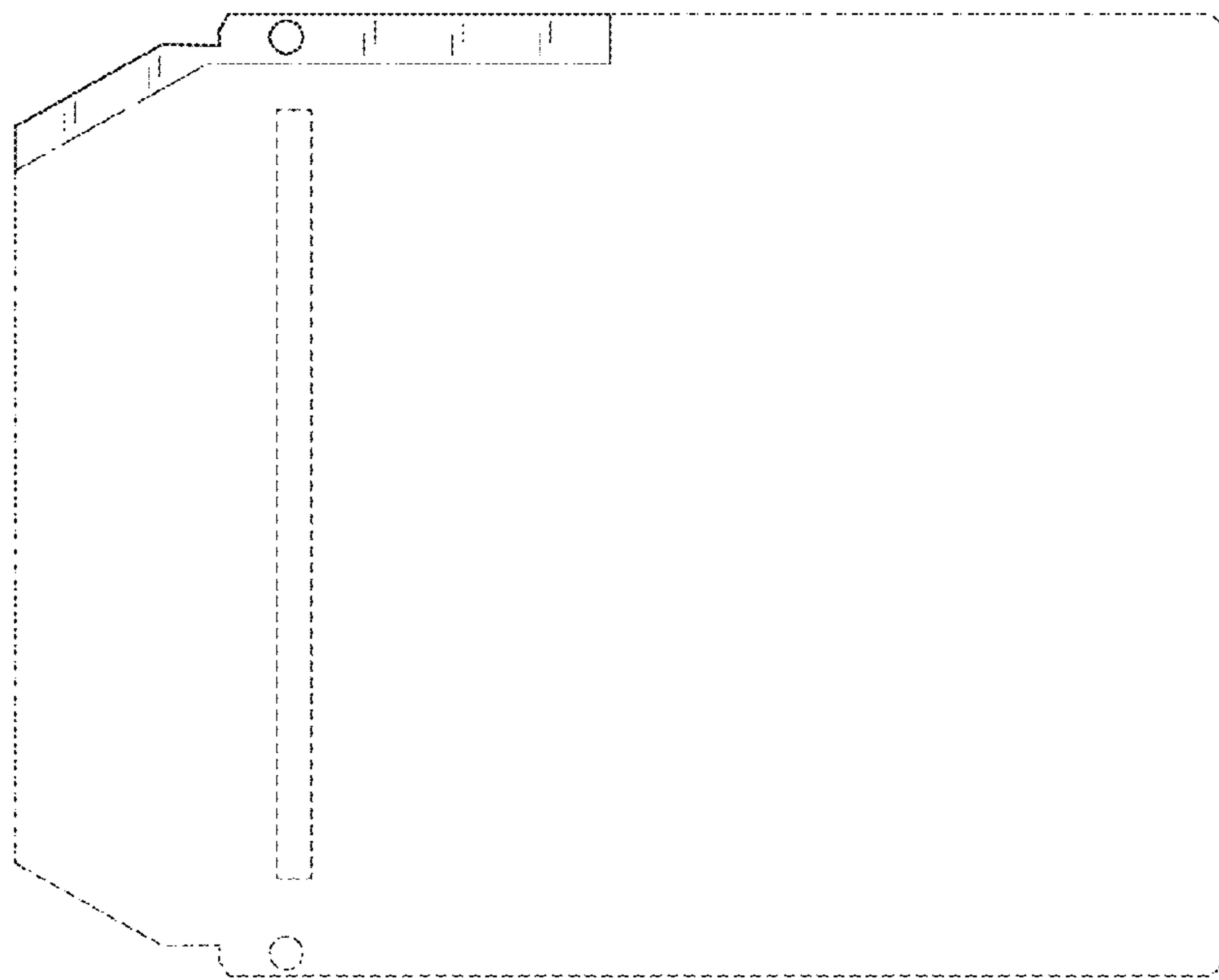


Fig.3

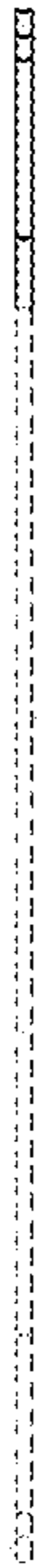


Fig.4

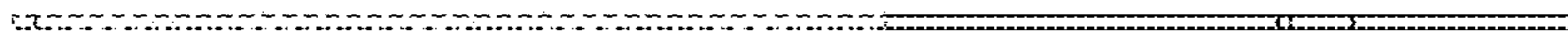


Fig.5

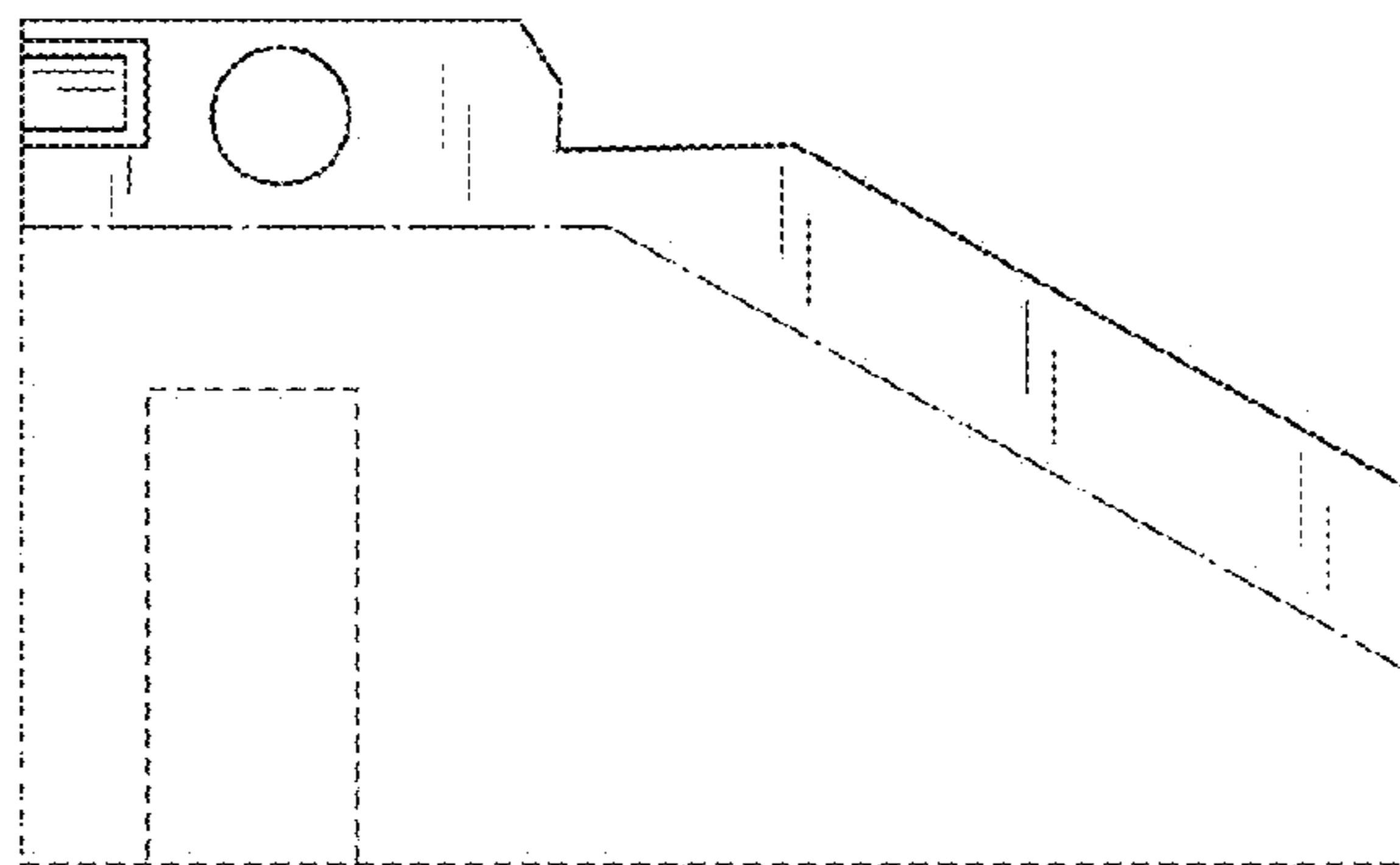


Fig.6

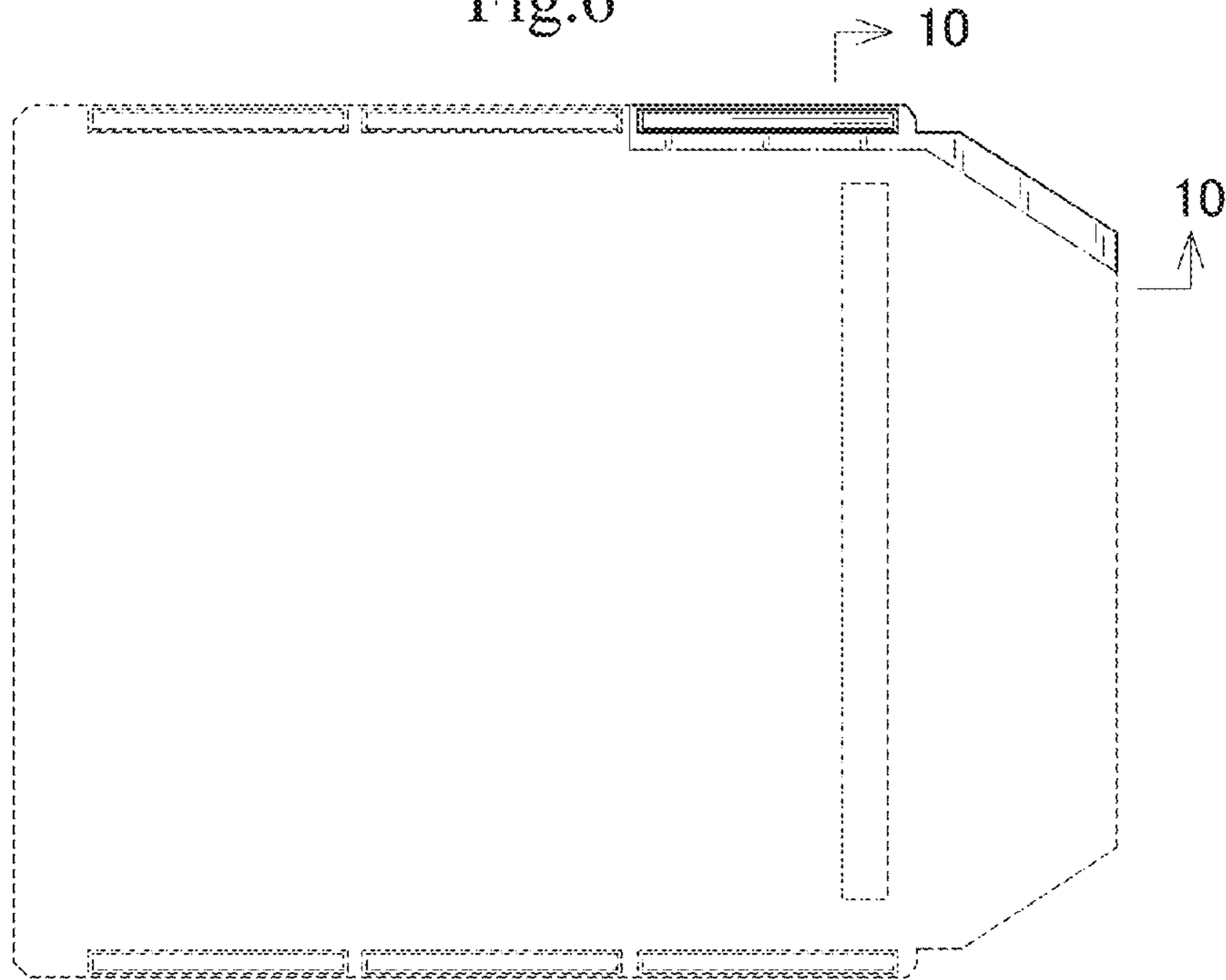


Fig.7

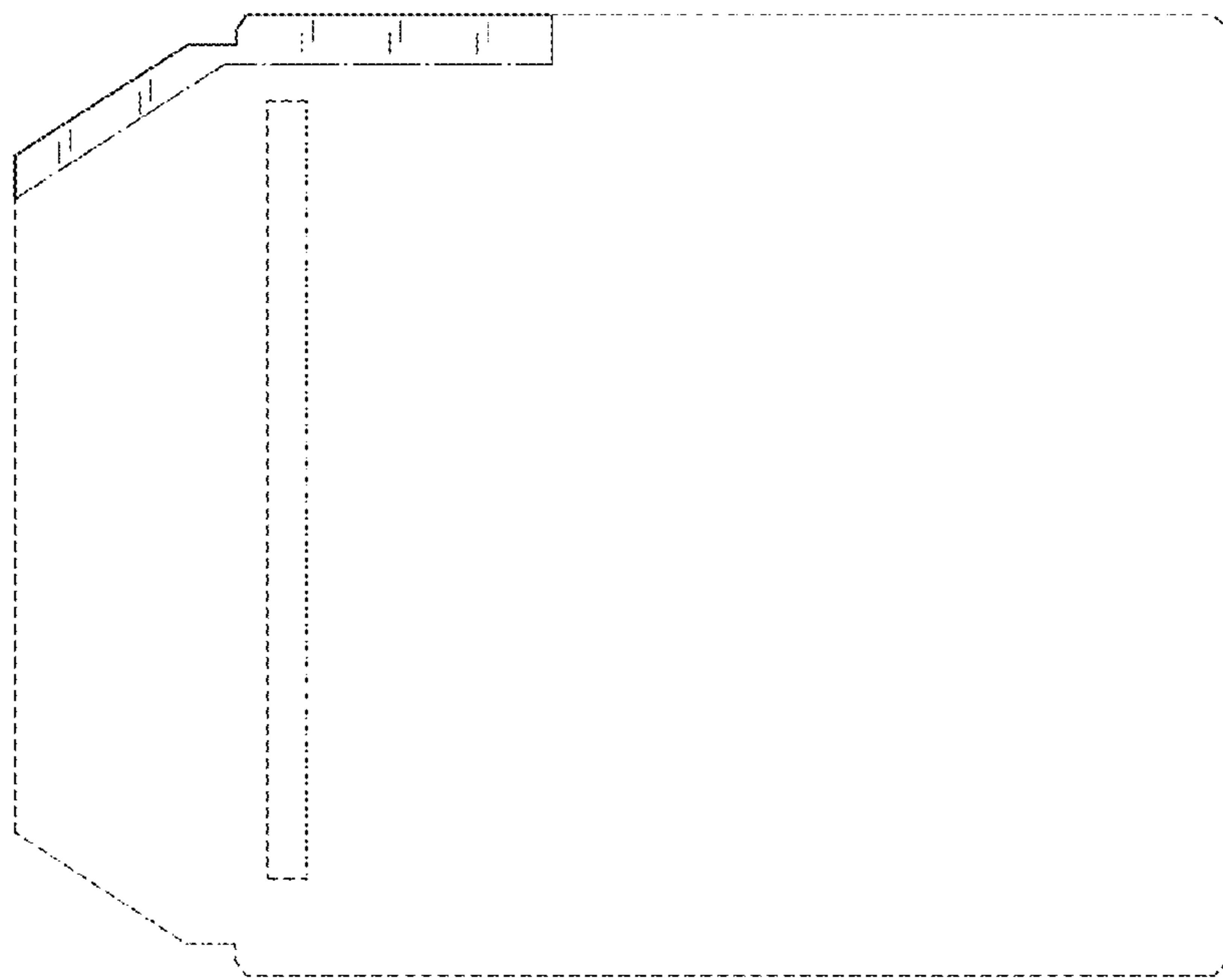


Fig.8

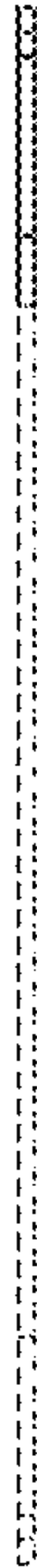


Fig.9

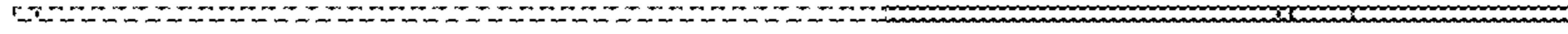


Fig.10

