



US00D685416S

(12) **United States Design Patent**
Hutchison et al.

(10) **Patent No.:** **US D685,416 S**
(45) **Date of Patent:** **** Jul. 2, 2013**

- (54) **PRINTER CONTROL INTERFACE**
- (75) Inventors: **Bruce Hutchison**, Cottenham (GB);
Alasdair Barnett, Cambridge (GB)
- (73) Assignee: **Domino Printing Sciences PLC** (GB)
- (**) Term: **14 Years**
- (21) Appl. No.: **29/392,293**
- (22) Filed: **May 19, 2011**
- (51) **LOC (9) Cl.** **18-02**
- (52) **U.S. Cl.**
USPC **D18/56**
- (58) **Field of Classification Search**
USPC D18/56; 347/86-87; 400/477, 479
See application file for complete search history.

6,272,562	B1 *	8/2001	Scott et al.	710/16
6,359,642	B1 *	3/2002	Smith et al.	347/247
6,476,929	B1 *	11/2002	Tanaka	358/1.17
D467,266	S *	12/2002	Nagele	D18/56
D475,739	S *	6/2003	Nagele	D18/56
7,701,606	B2 *	4/2010	Lee	358/1.15

* cited by examiner

Primary Examiner — Cathy A MacCormac
(74) *Attorney, Agent, or Firm* — Price Heneveld LLP

(57) **CLAIM**
We claim the ornamental design for printer control interface, as shown.

DESCRIPTION

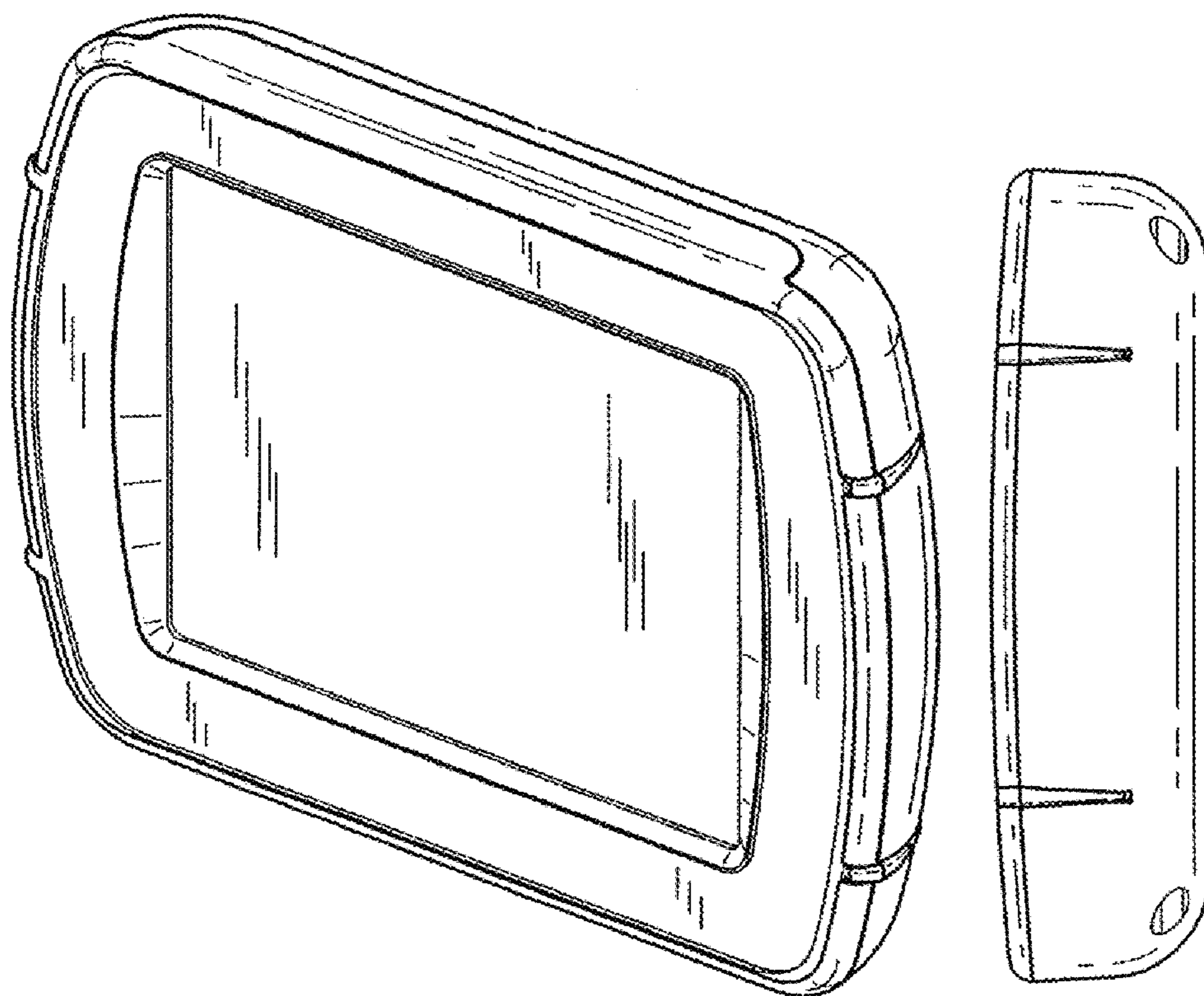
FIG. 1 is a perspective view of a top, front, and right side of a printer control interface;
FIG. 2 is a front elevational view of the printer control interface;
FIG. 3 is a rear elevational view of the printer control interface;
FIG. 4 is a right side elevational view of the printer control interface;
FIG. 5 is a left side elevational view of the printer control interface;
FIG. 6 is a top plan view of the printer control interface; and,
FIG. 7 is a bottom plan view of the printer control interface.
The broken lines are for purposes of illustrating environmental structure and form no part of the claimed design.

1 Claim, 2 Drawing Sheets

(56) **References Cited**

U.S. PATENT DOCUMENTS

D278,249	S *	4/1985	Schott et al.	D18/56
D290,969	S *	7/1987	Sutou et al.	D18/56
4,836,699	A *	6/1989	Babsch et al.	400/479
D302,682	S *	8/1989	Bloom et al.	D18/56
D319,460	S *	8/1991	Rodi et al.	D18/56
D332,465	S *	1/1993	Johnson et al.	D18/56
D335,302	S *	5/1993	Quedenfeld	D18/56
5,805,777	A *	9/1998	Kuchta	358/1.13
D421,769	S *	3/2000	Dubson	D18/56
D424,104	S *	5/2000	Rorke et al.	D18/56
D425,555	S *	5/2000	Bishop et al.	D18/56



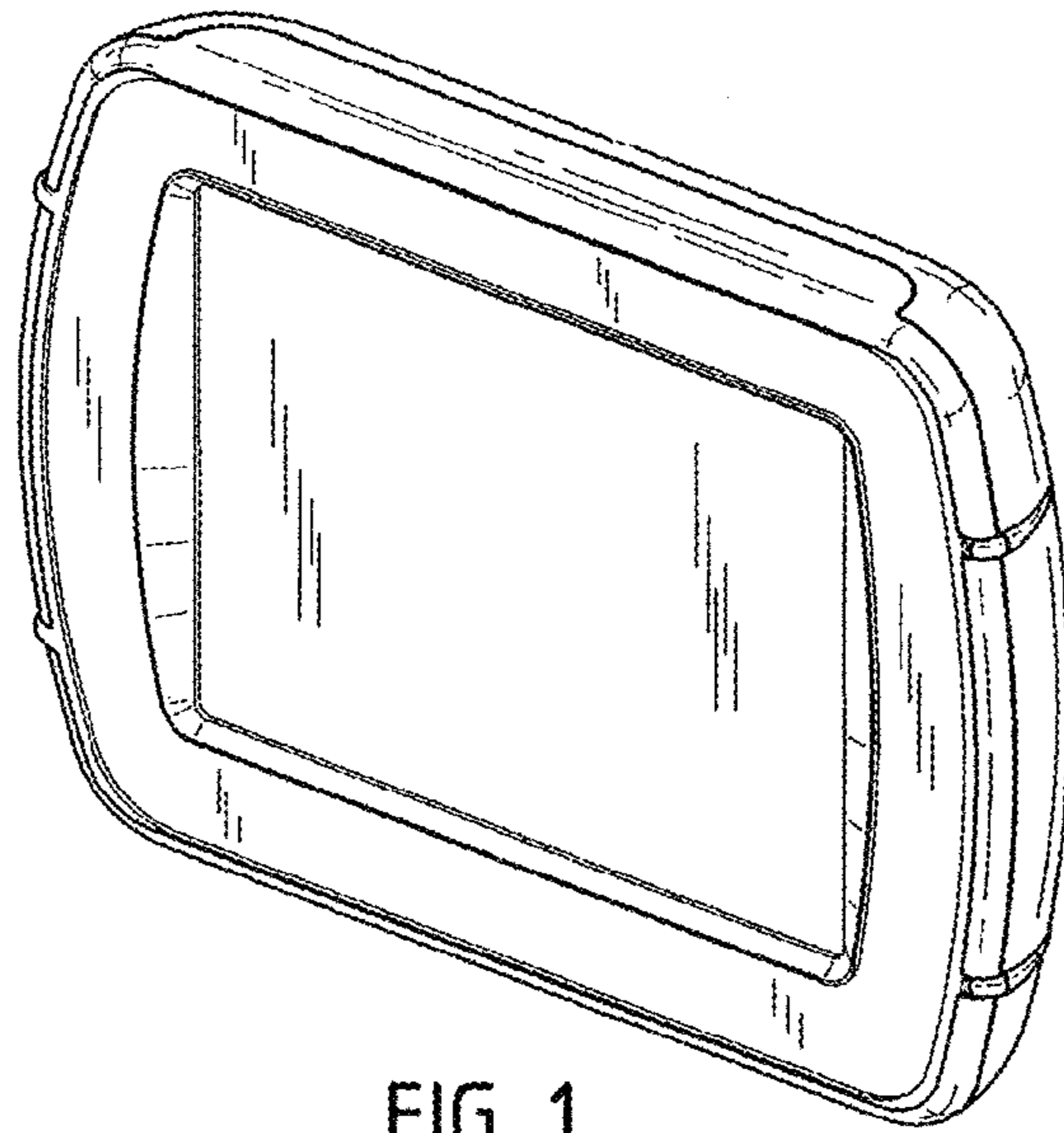


FIG. 1

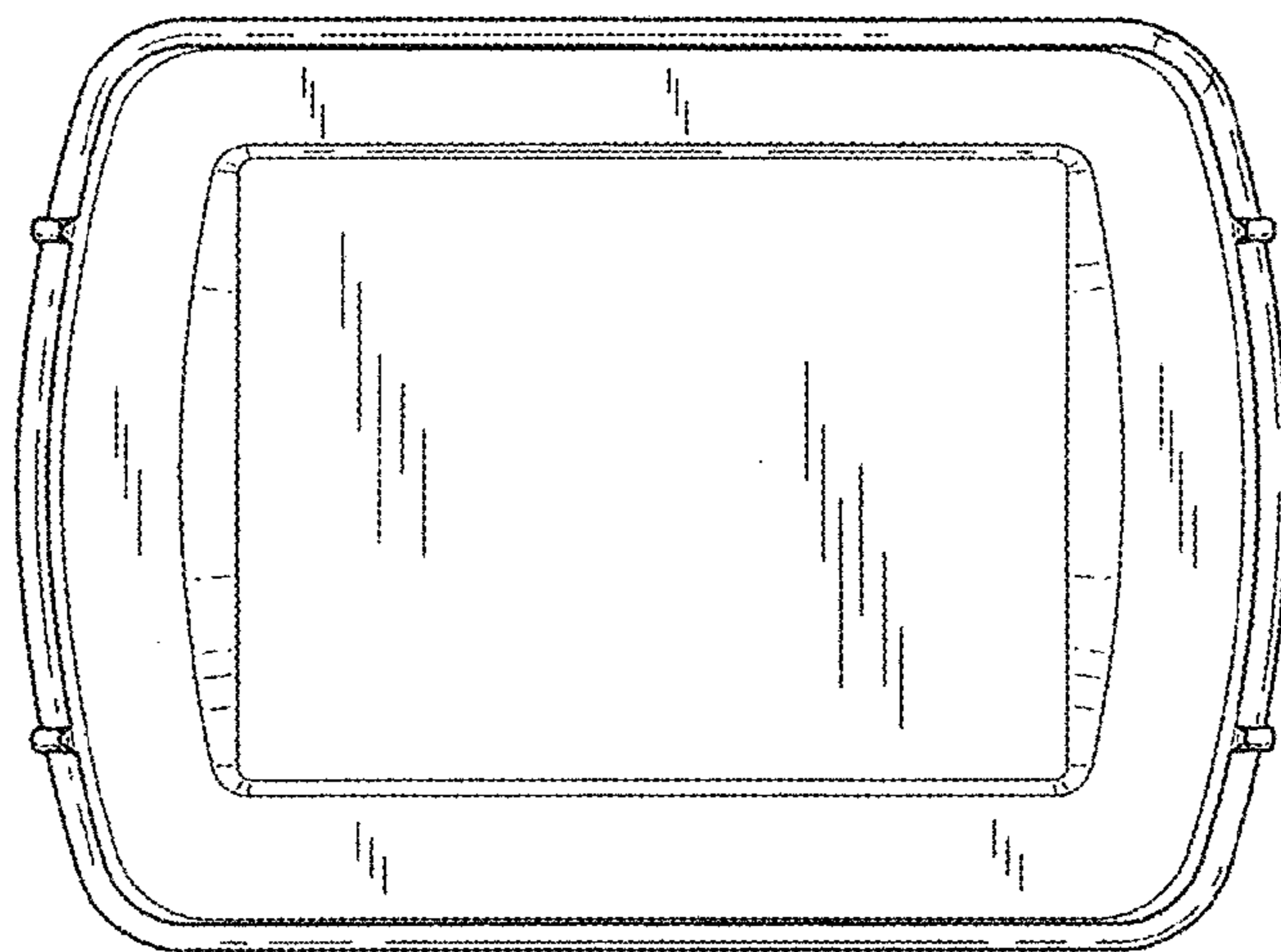


FIG. 2

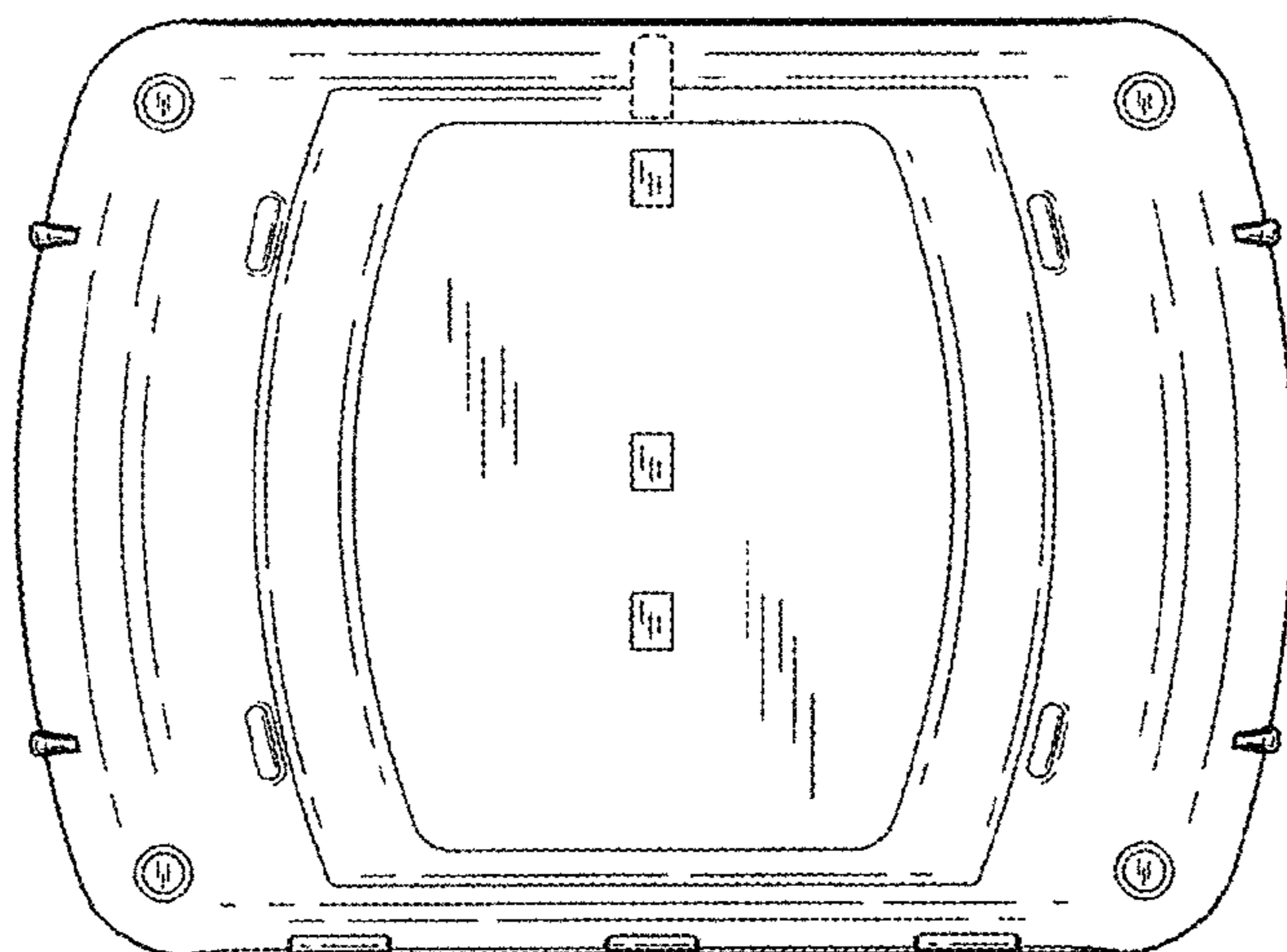


FIG. 3

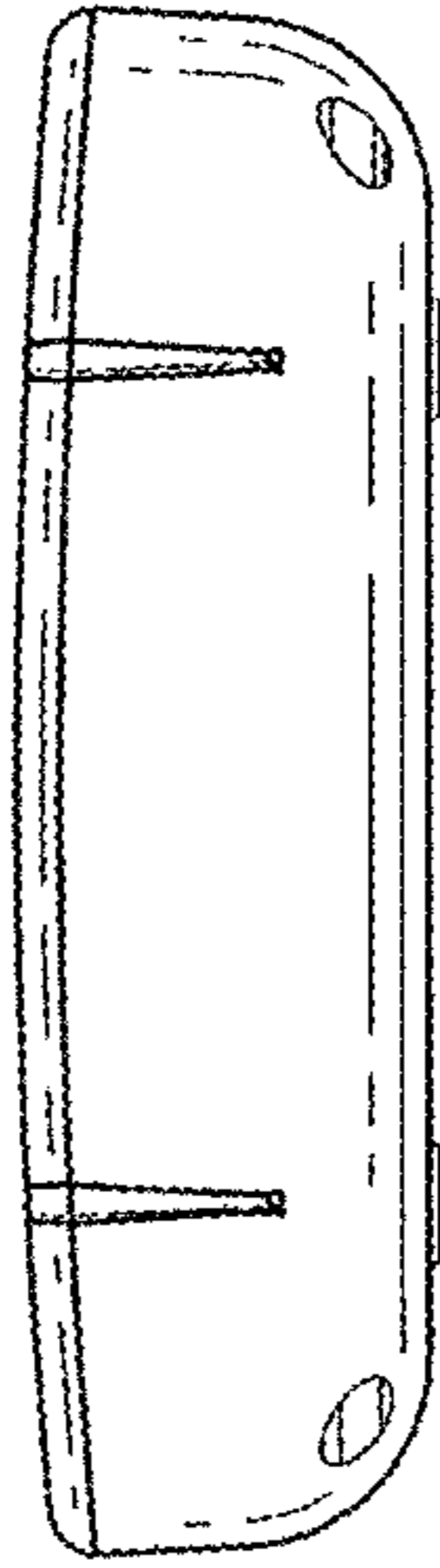


FIG. 4

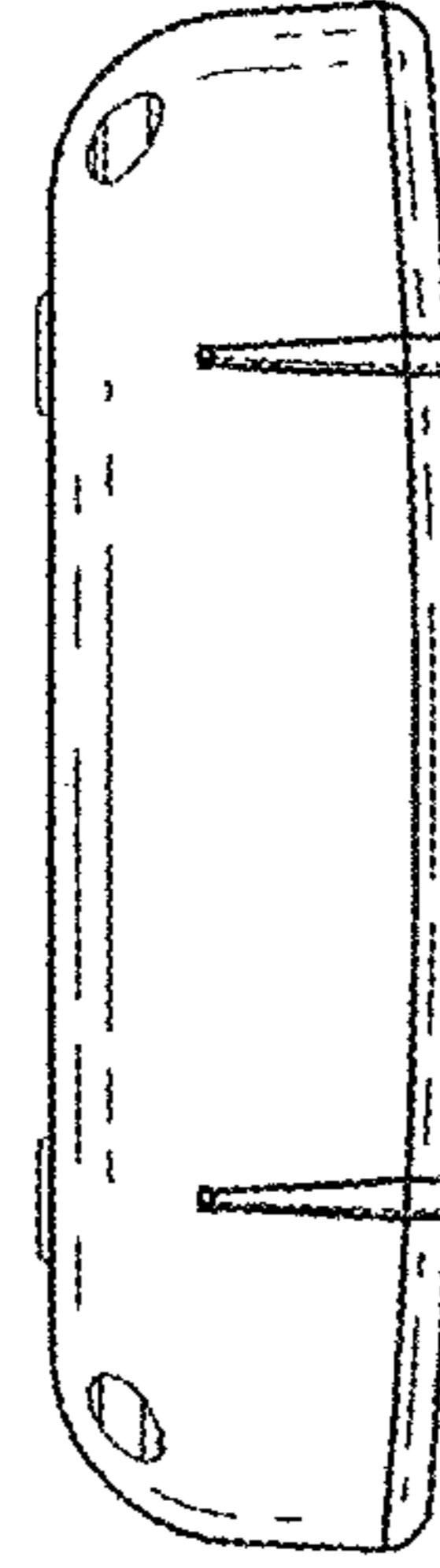


FIG. 5

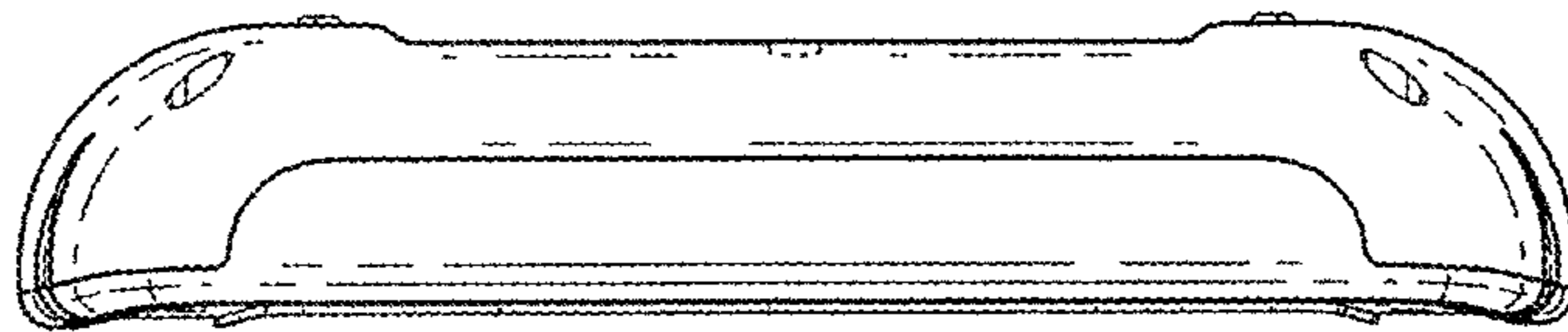


FIG. 6

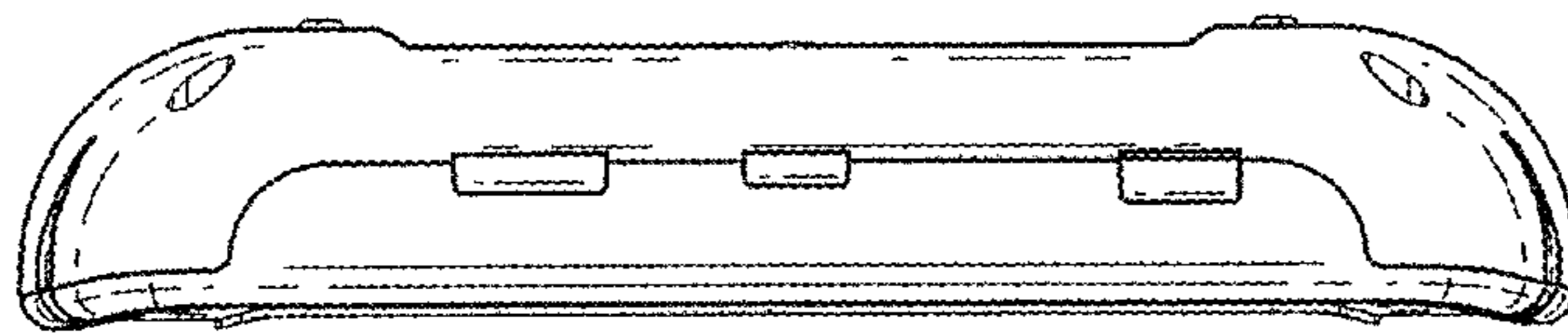


FIG. 7