



US00D685414S

(12) **United States Design Patent**
Jeong et al.

(10) **Patent No.:** **US D685,414 S**
(45) **Date of Patent:** **** Jul. 2, 2013**

(54) **PRINTER**

(75) Inventors: **Seung-Wook Jeong**, Seoul (KR);
Jong-Kyu Kim, Seoul (KR);
Kyong-Hwan Kim, Seoul (KR);
Min-Chul Kim, Seoul (KR)

(73) Assignee: **Samsung Electronics Co., Ltd.**, Suwon,
Kyunggi-do (KR)

(**) Term: **14 Years**

(21) Appl. No.: **29/418,362**

(22) Filed: **Apr. 16, 2012**

(30) **Foreign Application Priority Data**

Oct. 17, 2011 (KR) 3020110043015

(51) **LOC (9) Cl.** **18-02**

(52) **U.S. Cl.**
USPC **D18/53**

(58) **Field of Classification Search**
USPC D18/53, 50, 55, 56, 59, 36-39, 46-49;
D14/301, 303; 270/1.01; 271/8.1; 101/2;
358/1.1; 355/78; 399/361
See application file for complete search history.

(56) **References Cited**

U.S. PATENT DOCUMENTS

D308,221	S	*	5/1990	Kojima	D18/54
D326,867	S		6/1992	Kwak		
D359,506	S		6/1995	Lee		
D377,369	S	*	1/1997	Kogoh et al.	D18/53
D378,218	S		2/1997	Hong et al.		
D402,688	S	*	12/1998	Laidlaw	D18/53
D429,278	S	*	8/2000	Katsuyama et al.	D18/53
D438,559	S	*	3/2001	Matsumoto et al.	D18/39
D486,851	S	*	2/2004	Ohashi	D18/39
D487,107	S	*	2/2004	Ohashi	D18/39
D502,210	S	*	2/2005	Katori et al.	D18/39

7,062,197	B2	*	6/2006	Kunugi	399/107
D527,045	S		8/2006	Lim et al.		
D530,737	S		10/2006	Lim et al.		
D532,043	S		11/2006	Park et al.		
D536,372	S		2/2007	Lim et al.		
D537,109	S	*	2/2007	Mizusugi et al.	D18/39
D548,275	S	*	8/2007	Ishio et al.	D18/39
D549,770	S	*	8/2007	Clark, III	D18/39
D551,700	S		9/2007	Park et al.		
D552,170	S		10/2007	Kim et al.		
D555,195	S		11/2007	Park et al.		
D555,722	S		11/2007	Bae et al.		
D556,253	S		11/2007	Hong et al.		
D556,822	S		12/2007	Hong et al.		
D558,261	S		12/2007	Hong et al.		
D558,262	S		12/2007	Hong et al.		

(Continued)

OTHER PUBLICATIONS

U.S. Appl. No. 29/404,389, Applicant: Kyong-Hwan Kim et al., filed Oct. 20, 2011 entitled Printer With Functions of Copy Machine, Scanner and Fax Machine.

(Continued)

Primary Examiner — Bridget L Eland

(74) *Attorney, Agent, or Firm* — Flynn, Thiel, Boutell & Tanis, P.C.

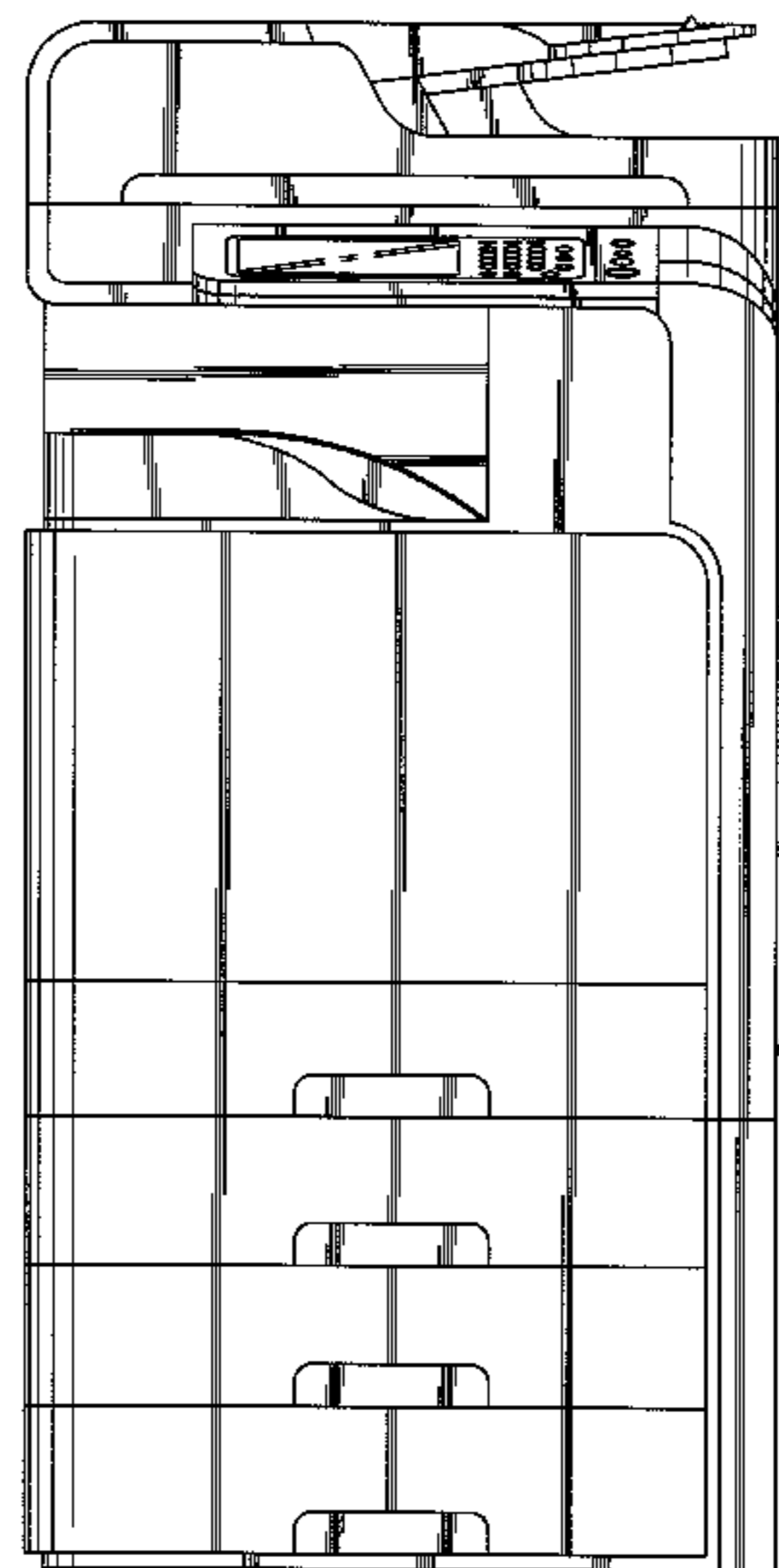
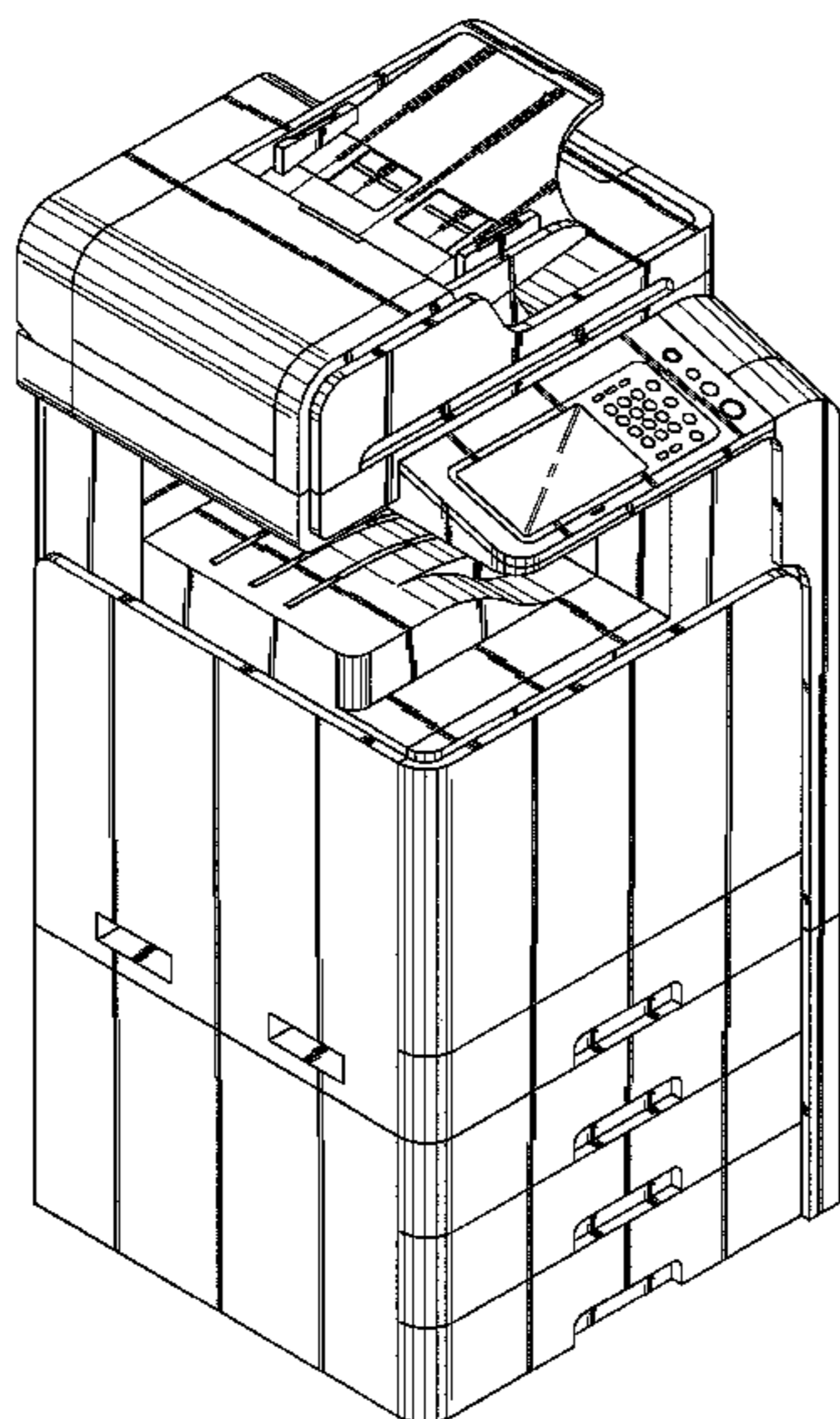
(57) **CLAIM**

The ornamental design for a printer, as shown and described.

DESCRIPTION

FIG. 1 is a top front perspective view of a printer showing our new design;
FIG. 2 is a front elevational view thereof;
FIG. 3 is a rear elevational view thereof;
FIG. 4 is a left side elevational view thereof;
FIG. 5 is a right side elevational view thereof;
FIG. 6 is a top plan view thereof; and,
FIG. 7 is a bottom plan view thereof.

1 Claim, 7 Drawing Sheets



US D685,414 S

Page 2

U.S. PATENT DOCUMENTS

D558,820 S 1/2008 Hong et al.
D561,248 S 2/2008 Lee et al.
D561,824 S 2/2008 Park et al.
D562,378 S 2/2008 Kim et al.
D573,178 S 7/2008 Lee et al.
D573,179 S 7/2008 Bae et al.
D577,763 S * 9/2008 Hidaka et al. D18/39
D580,483 S * 11/2008 Park et al. D18/39
D581,976 S 12/2008 Park et al.
D584,344 S 1/2009 Lee et al.
D584,347 S 1/2009 Hong et al.
D584,348 S 1/2009 Boo et al.
D586,385 S 2/2009 Kim et al.
D593,149 S 5/2009 Park et al.
D599,398 S * 9/2009 Laidlaw et al. D18/53
D601,185 S 9/2009 Kim et al.
D601,186 S 9/2009 Kim et al.
D607,502 S 1/2010 Lee et al.
D607,506 S 1/2010 Kim et al.
D607,925 S 1/2010 Morrison et al.
D607,927 S 1/2010 Kim et al.
D607,928 S 1/2010 Kim et al.
D621,441 S 8/2010 Kim
D622,761 S 8/2010 Kim et al.
D624,956 S 10/2010 Park et al.
D624,957 S 10/2010 Park et al.
D626,588 S 11/2010 Kim et al.
D632,732 S 2/2011 Park et al.
D633,139 S 2/2011 Park et al.
D633,556 S 3/2011 Park et al.
D634,359 S 3/2011 Park et al.
D641,038 S 7/2011 Park et al.
D641,393 S 7/2011 Kim et al.
D641,395 S 7/2011 Park et al.
D641,396 S 7/2011 Park et al.
D641,397 S 7/2011 Kim et al.
D641,398 S 7/2011 Kim et al.

D641,778 S 7/2011 Lee et al.
D643,874 S 8/2011 Kim et al.
D645,078 S 9/2011 Kim et al.
D647,130 S 10/2011 Kim et al.
D647,131 S 10/2011 Park et al.
D647,132 S 10/2011 Kim et al.
D650,834 S * 12/2011 Brown et al. D18/39
D665,012 S * 8/2012 Saito et al. D18/39

OTHER PUBLICATIONS

U.S. Appl. No. 29/404,391, Applicant: Kyong-Hwan Kim et al., filed Oct. 20, 2011 entitled Printer With Functions of Copy Machine and Scanner.
U.S. Appl. No. 29/404,392, Applicant: Kyong-Hwan Kim et al., filed Oct. 20, 2011 entitled Laser Printer.
U.S. Appl. No. 29/404,393, Applicant: Kyong-Hwan Kim et al., filed Oct. 20, 2011 entitled Laser Printer.
U.S. Appl. No. 29/404,398, Applicant: Kyong-Hwan Kim et al., filed Oct. 20, 2011 entitled Printer With Functions of Copy Machine, Scanner and Fax Machine.
U.S. Appl. No. 29/404,388, Applicant: Kyong-Hwan Kim et al., filed Oct. 20, 2011 entitled Printer With Functions of Copy Machine and Fax Machine.
U.S. Appl. No. 29/415,211, Applicant: Min-Chul Kim, et al., filed Mar. 8, 2012 entitled Printer.
U.S. Appl. No. 29/415,218, Applicant: Jong-Kyu Kim, et al., filed Mar. 8, 2012 entitled Printer.
U.S. Appl. No. 29/415,216, Applicant: Jong-Kyu Kim, et al., filed Mar. 8, 2012 entitled Printer.
U.S. Appl. No. 29/418,382, Applicant: Jong-Kyu Kim, et al., filed Apr. 16, 2012 entitled Printer.
U.S. Appl. No. 29/418,386, Applicant: Min-Chul Kim, et al., filed Apr. 16, 2012 entitled Printer.

* cited by examiner

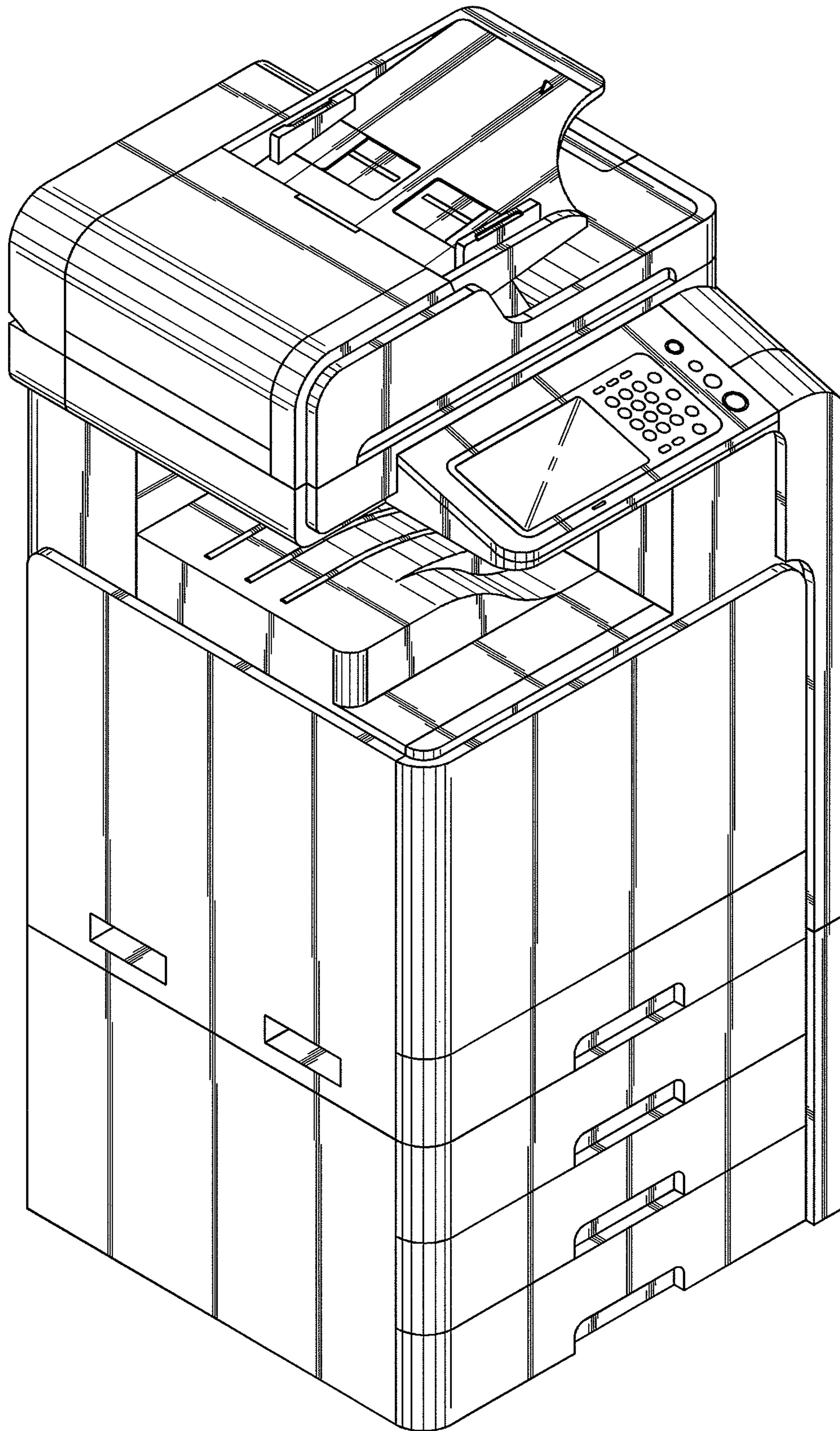


FIG.1

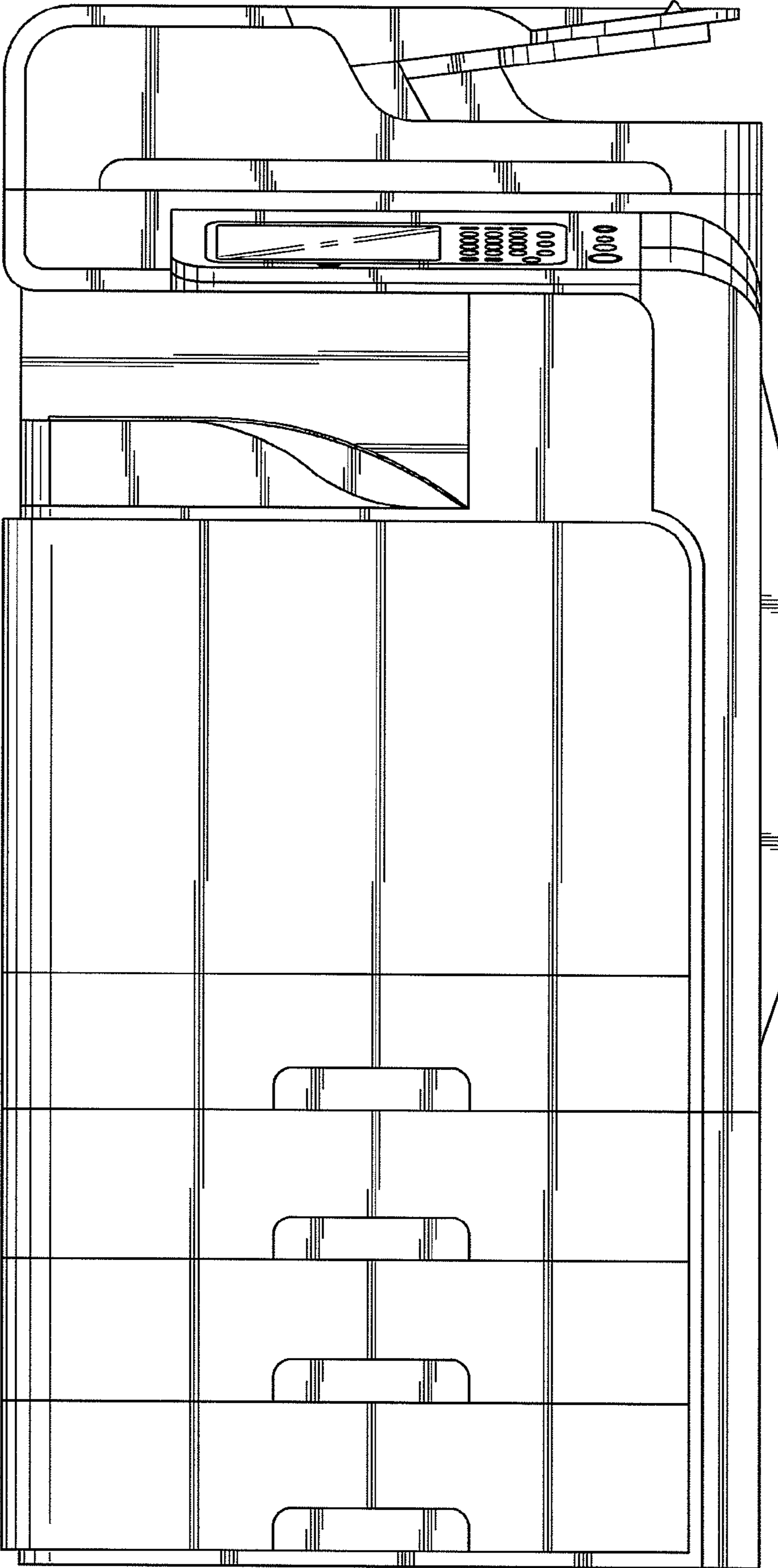


FIG.2

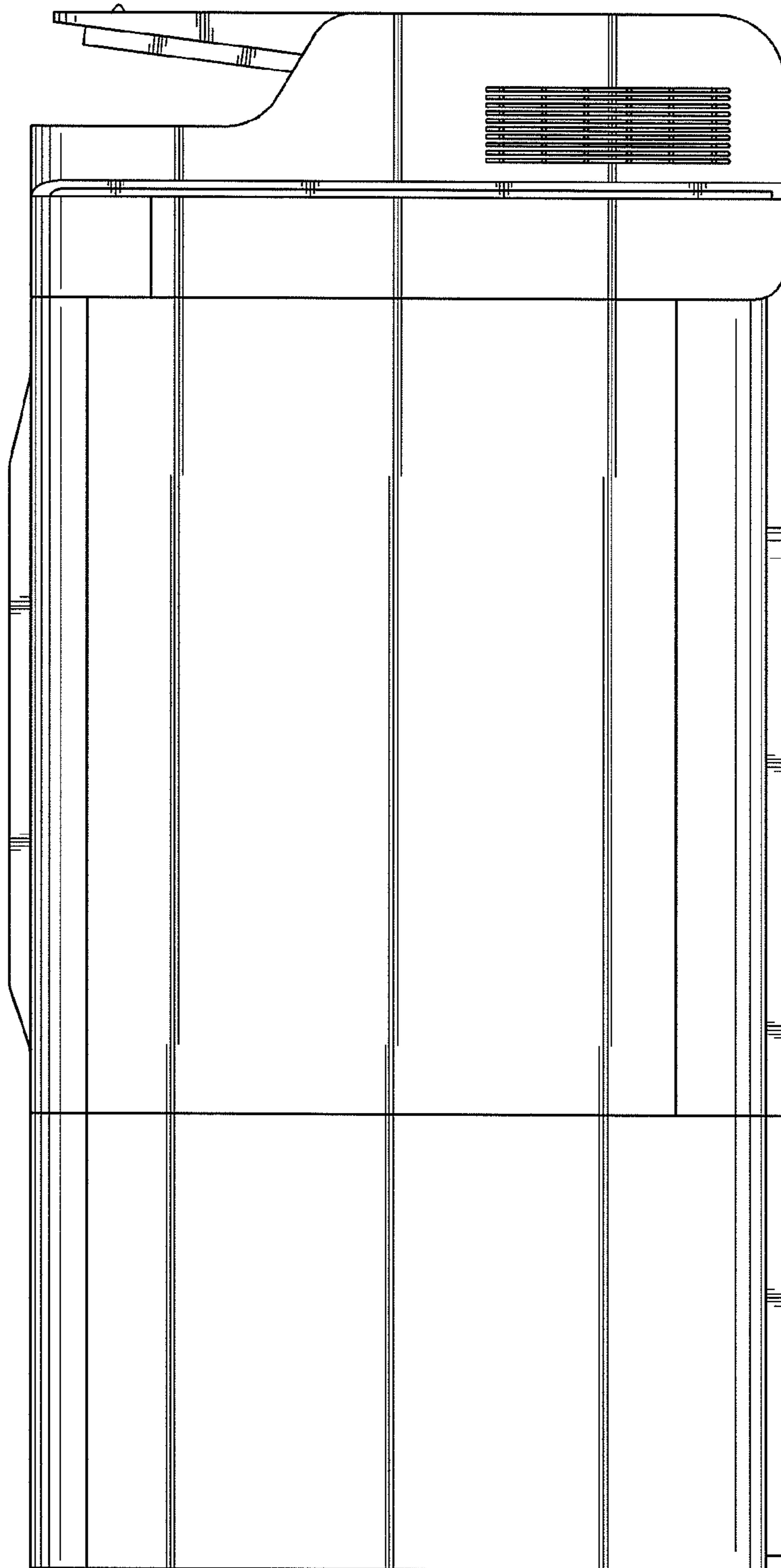


FIG.3

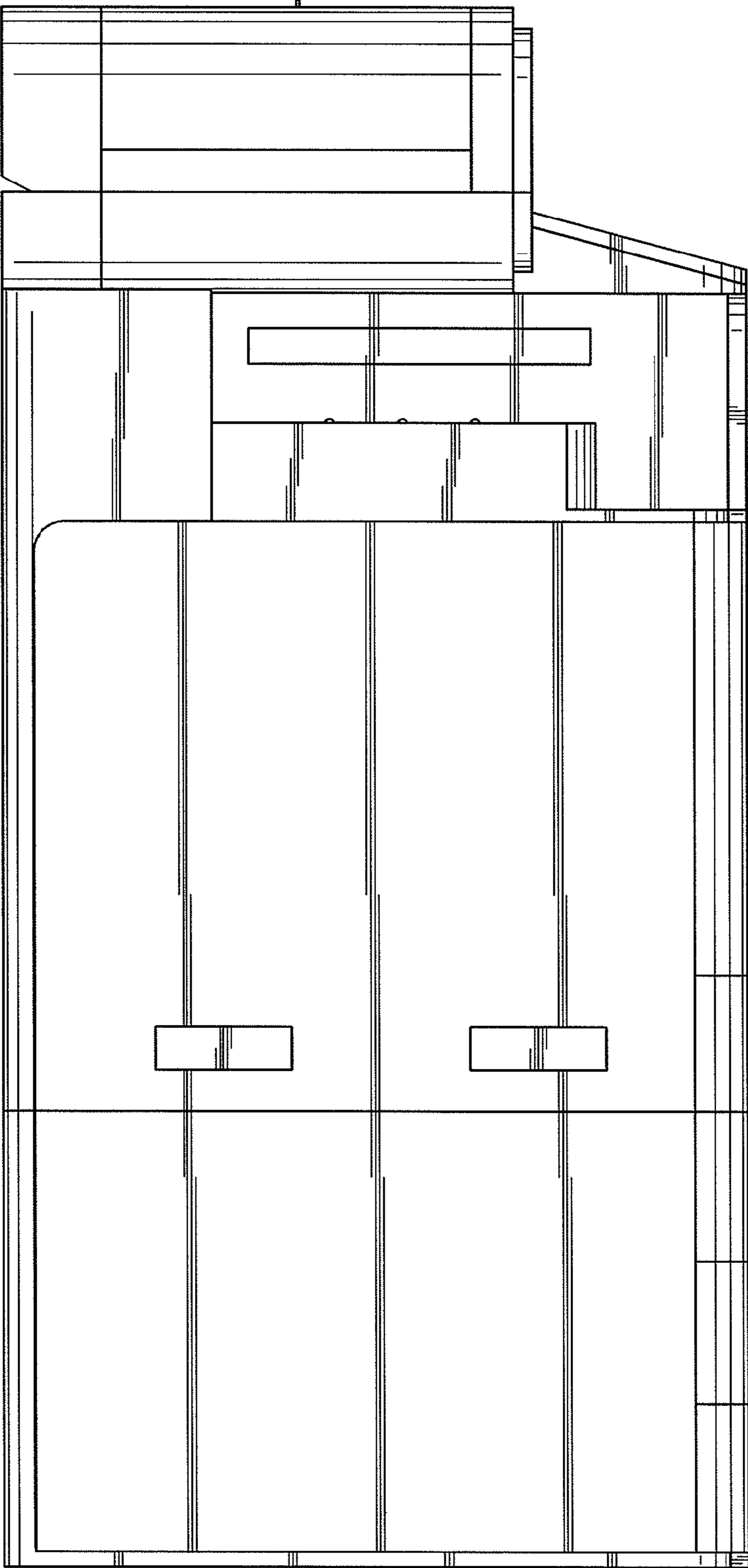


FIG.4

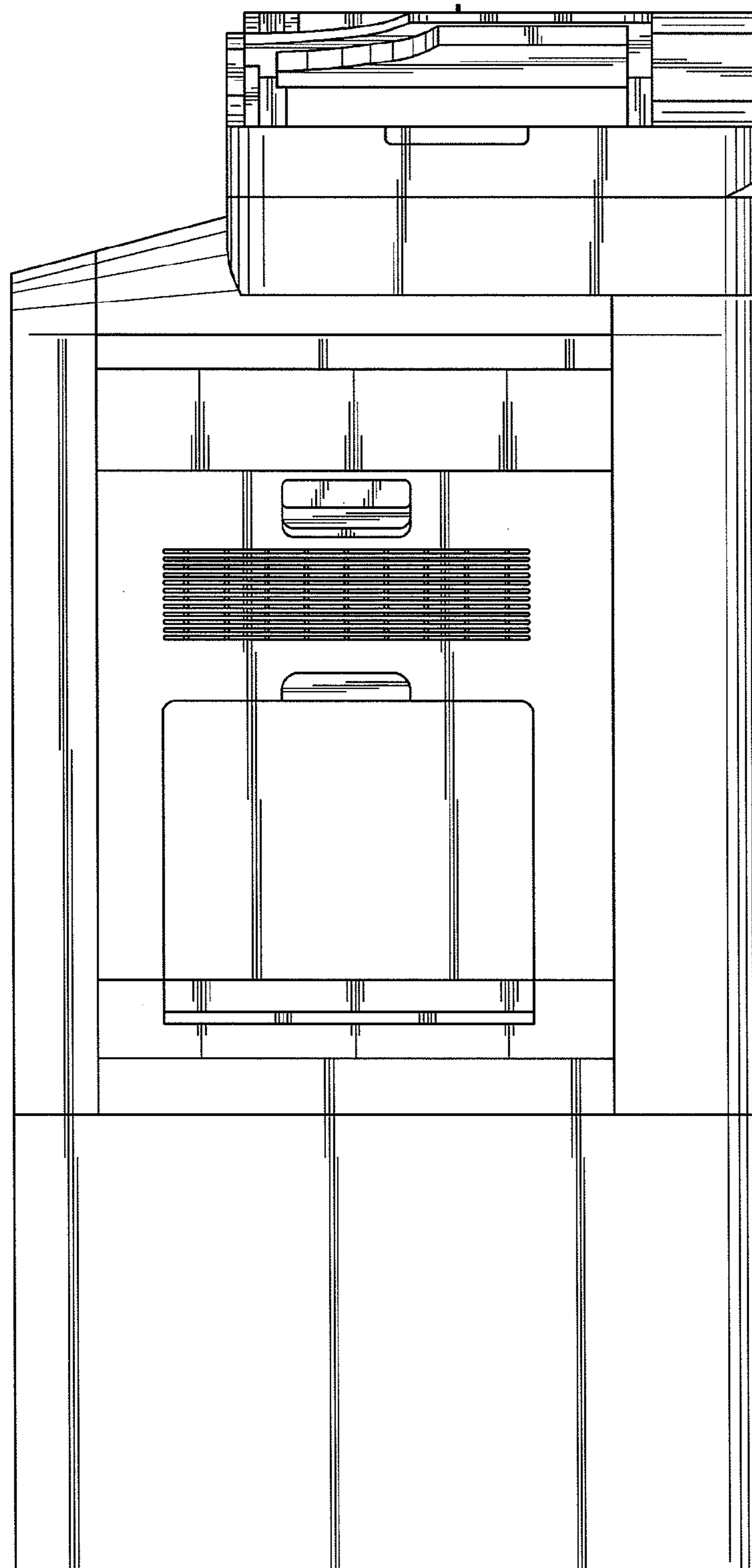


FIG.5

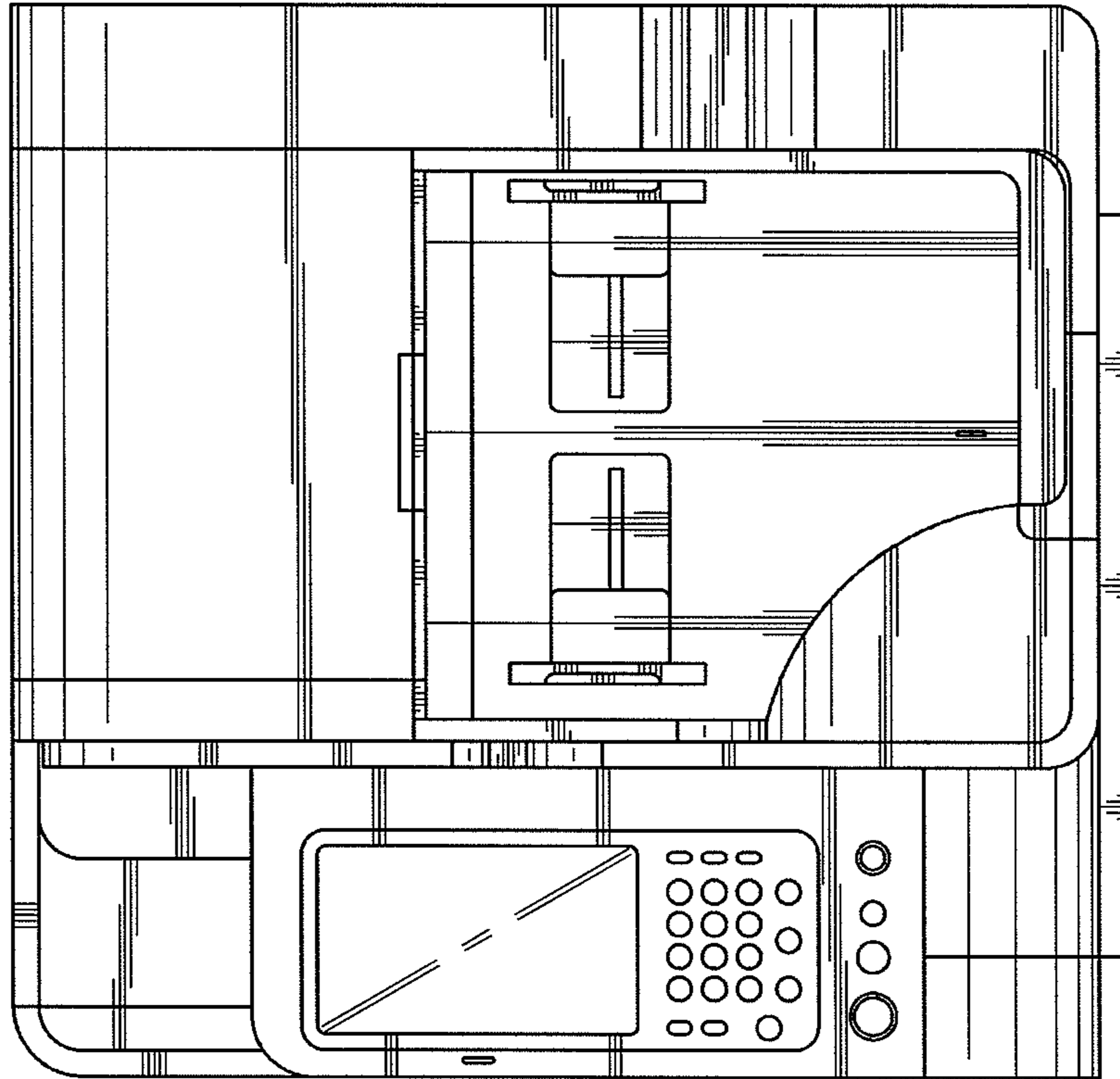


FIG.6

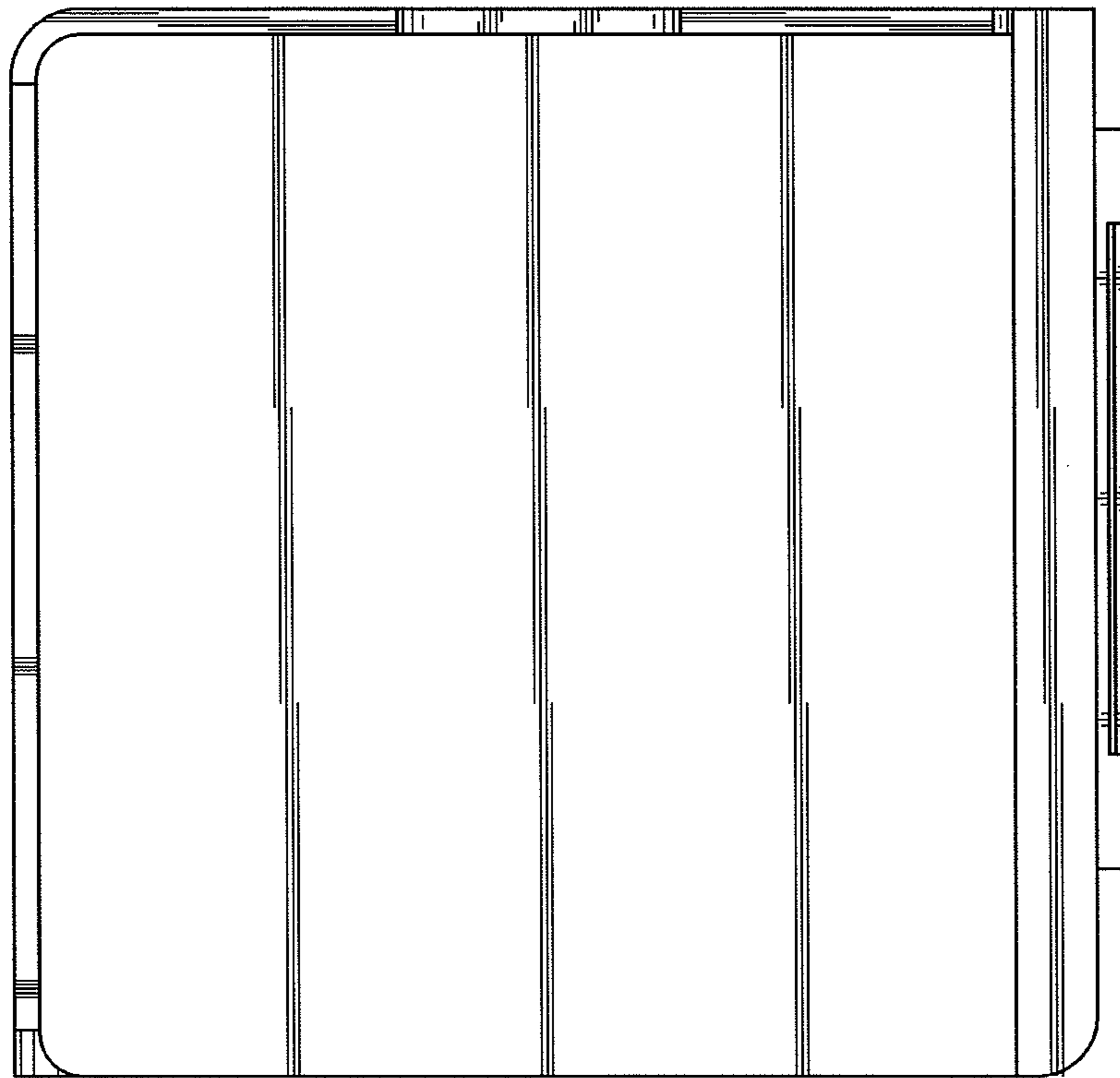


FIG.7