



US00D685412S

(12) **United States Design Patent**
Jihoon et al.

(10) **Patent No.:** **US D685,412 S**
(45) **Date of Patent:** **** Jul. 2, 2013**

(54) **PRINTER**

(75) Inventors: **Kil Jihoon**, Nagoya (JP); **Jiro Suzuki**, Kariya (JP); **Yusaku Seki**, Nagoya (JP)

(73) Assignee: **Brother Industries, Ltd.**, Nagoya (JP)

(**) Term: **14 Years**

(21) Appl. No.: **29/428,025**

(22) Filed: **Jul. 25, 2012**

(30) **Foreign Application Priority Data**

Jan. 27, 2012 (JP) 2012-1587

(51) **LOC (9) Cl.** **14-02**

(52) **U.S. Cl.**
USPC **D18/50**

(58) **Field of Classification Search**
USPC . D18/36-38, 50, 54, 54.1, 55; D14/420-425,
D14/462-470; 400/613, 613.1-613.4,
690.1-690.4, 691-694
See application file for complete search history.

(56) **References Cited**

U.S. PATENT DOCUMENTS

D522,046 S * 5/2006 Iritani et al. D18/55
D552,170 S 10/2007 Kim et al.
D600,277 S 9/2009 Hisatsune

D608,821 S 1/2010 Tomono et al.
D621,404 S 8/2010 Sugitani et al.
D641,038 S 7/2011 Park et al.
D641,395 S 7/2011 Park et al.
D641,396 S * 7/2011 Park et al. D18/55
D643,874 S * 8/2011 Kim et al. D18/55
D662,131 S * 6/2012 Lemman et al. D18/55
D672,388 S * 12/2012 Kim et al. D18/50

FOREIGN PATENT DOCUMENTS

JP S-D1184318 9/2003
JP S-D1404379 12/2010

* cited by examiner

Primary Examiner — Cathy A MacCormac

(74) *Attorney, Agent, or Firm* — Oliff & Berridge, PLC

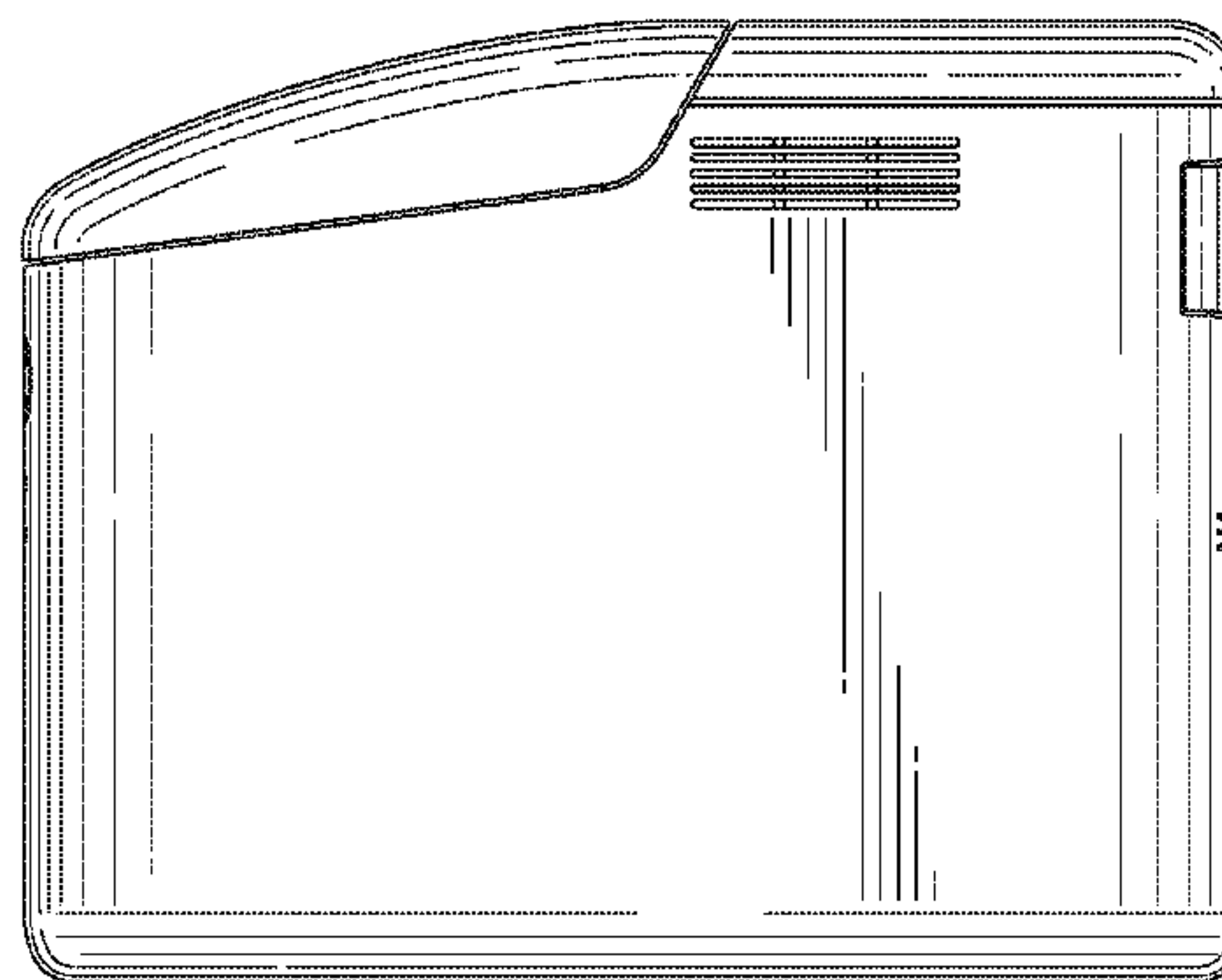
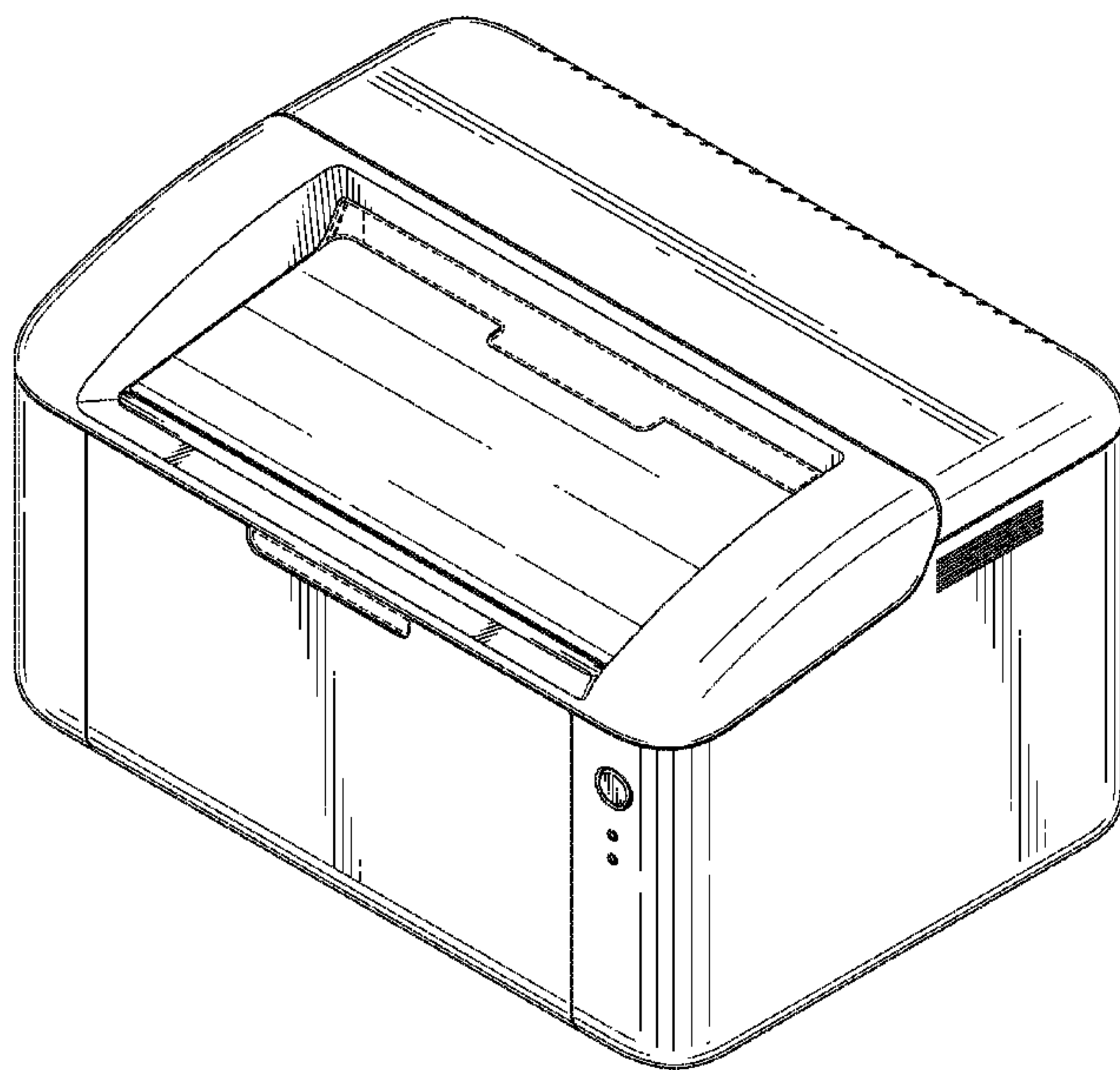
(57) **CLAIM**

The ornamental design for a printer, as shown and described.

DESCRIPTION

FIG. 1 is a perspective view of a printer;
FIG. 2 is a front view thereof;
FIG. 3 is a top view thereof;
FIG. 4 is a right-side view thereof;
FIG. 5 is a left-side view thereof;
FIG. 6 is a rear view thereof; and,
FIG. 7 is a bottom view thereof.
The broken lines depict unclaimed portions only and form no part of the claimed design.

1 Claim, 7 Drawing Sheets



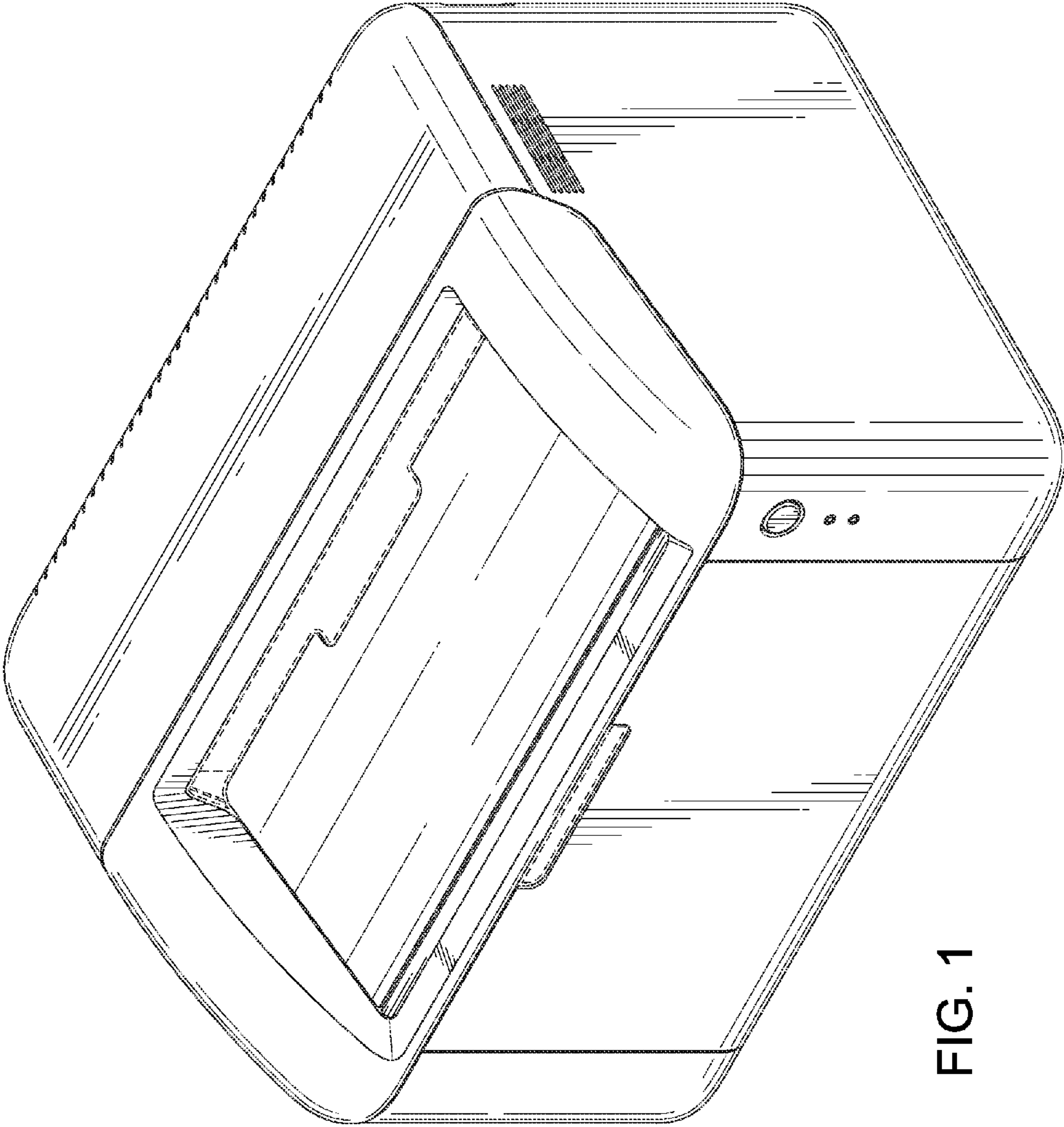


FIG. 1

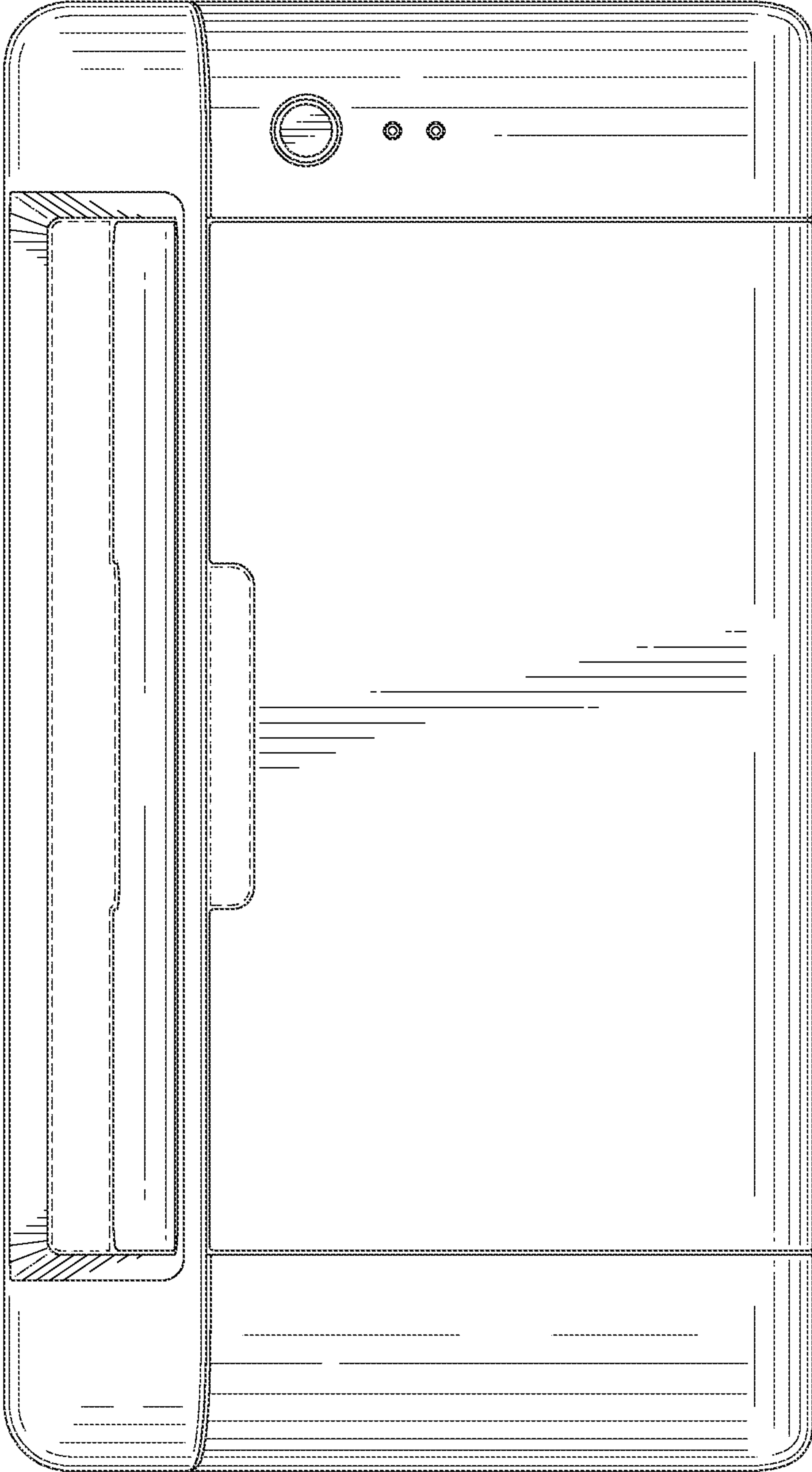


FIG. 2

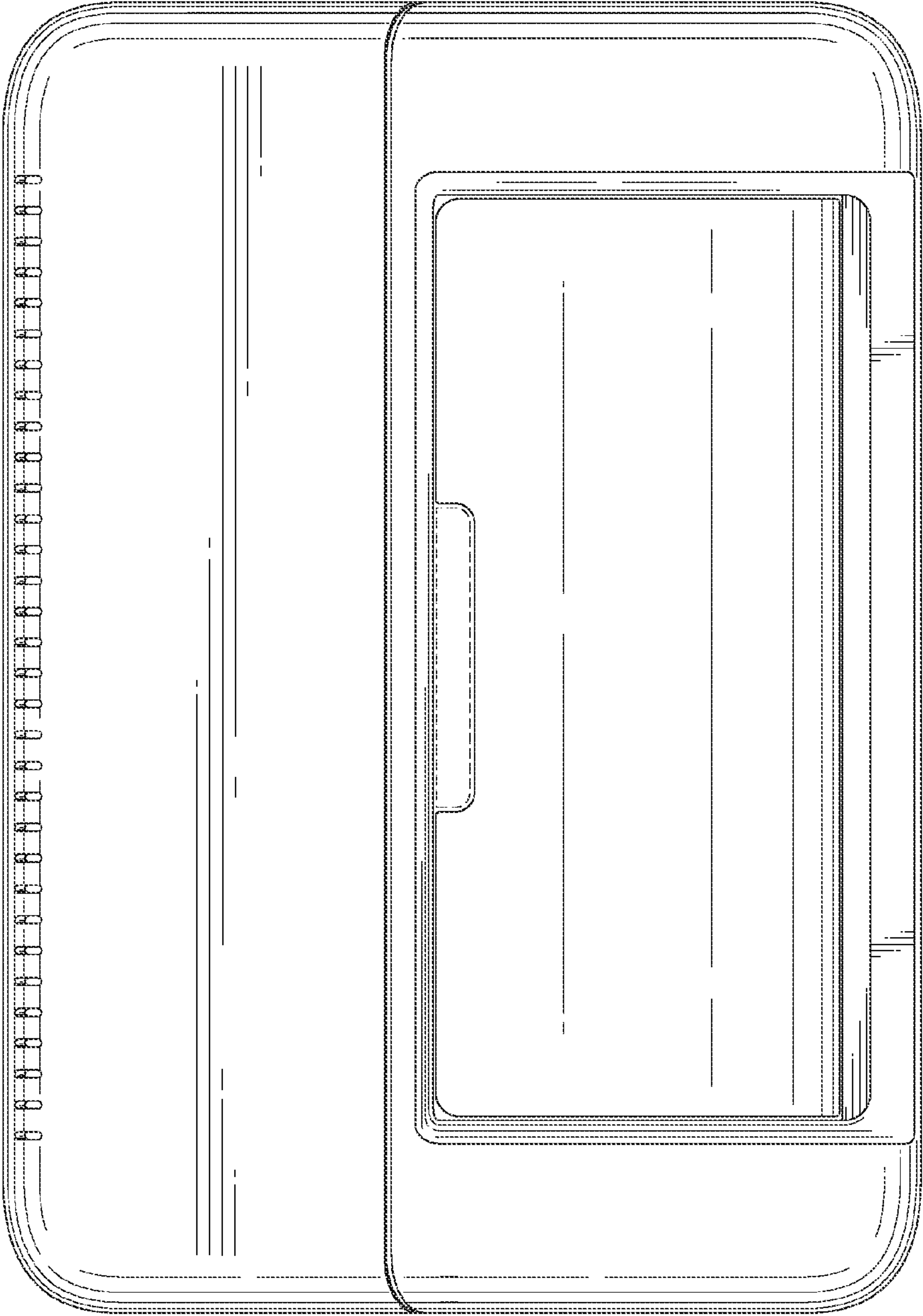


FIG. 3

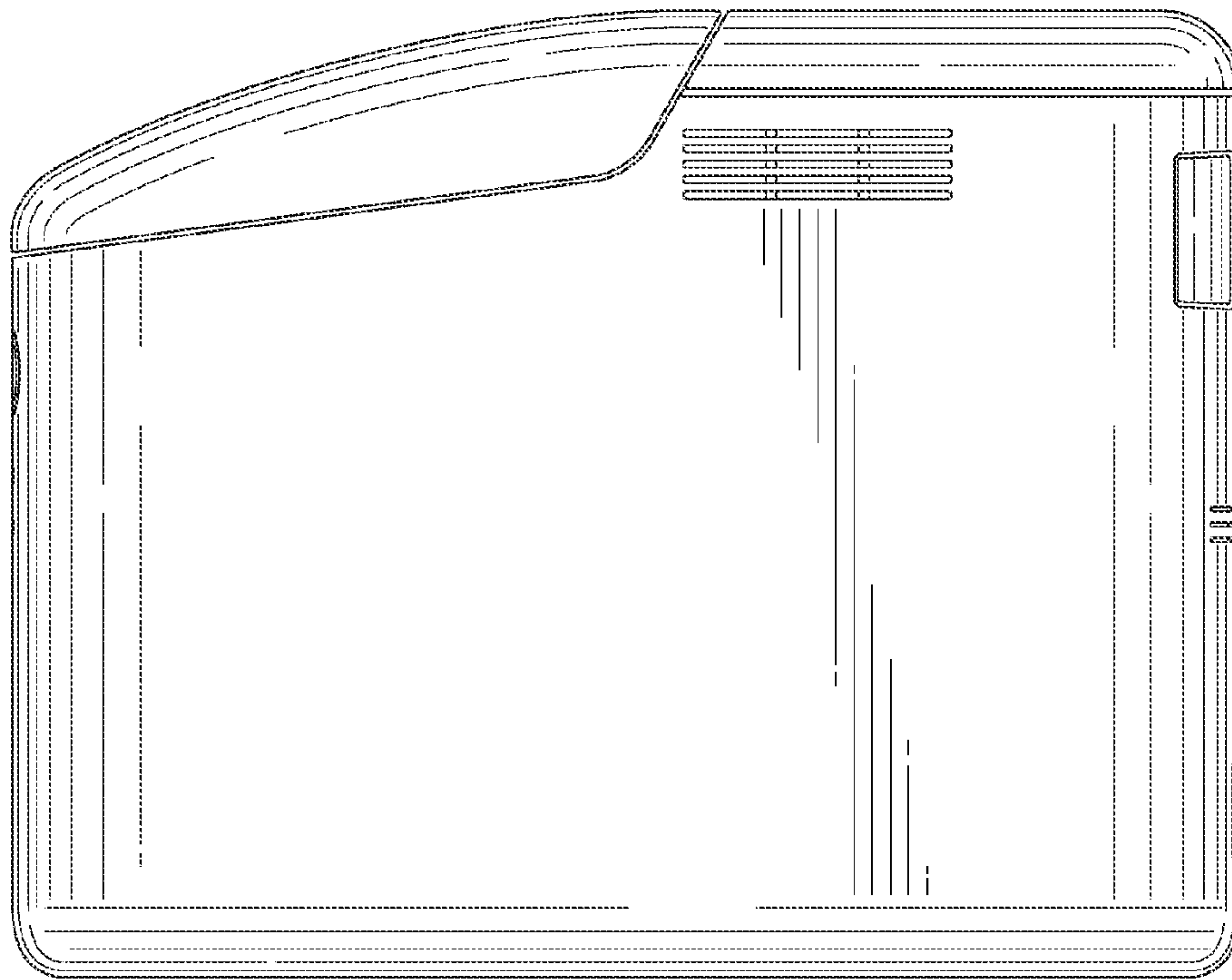


FIG. 4

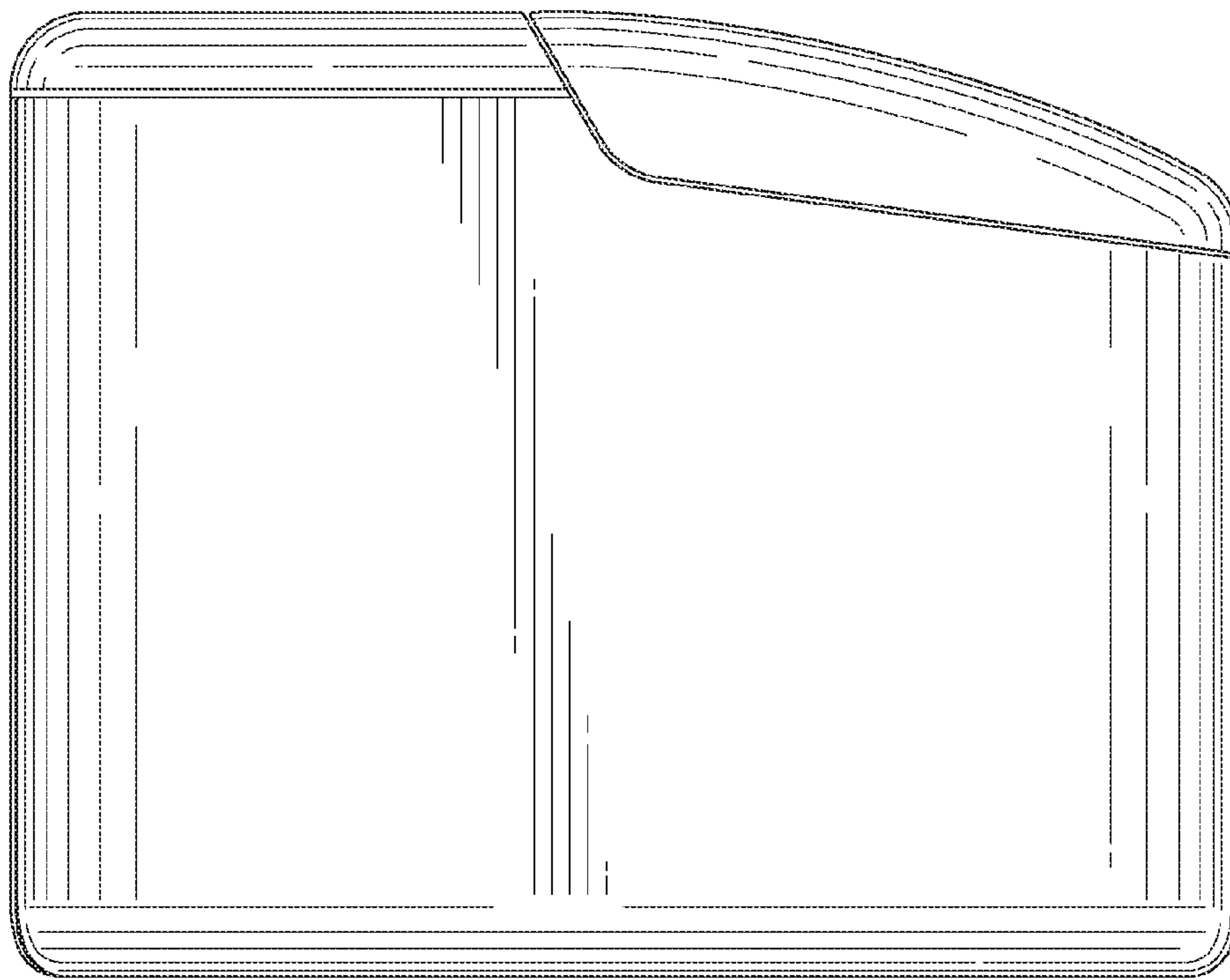


FIG. 5

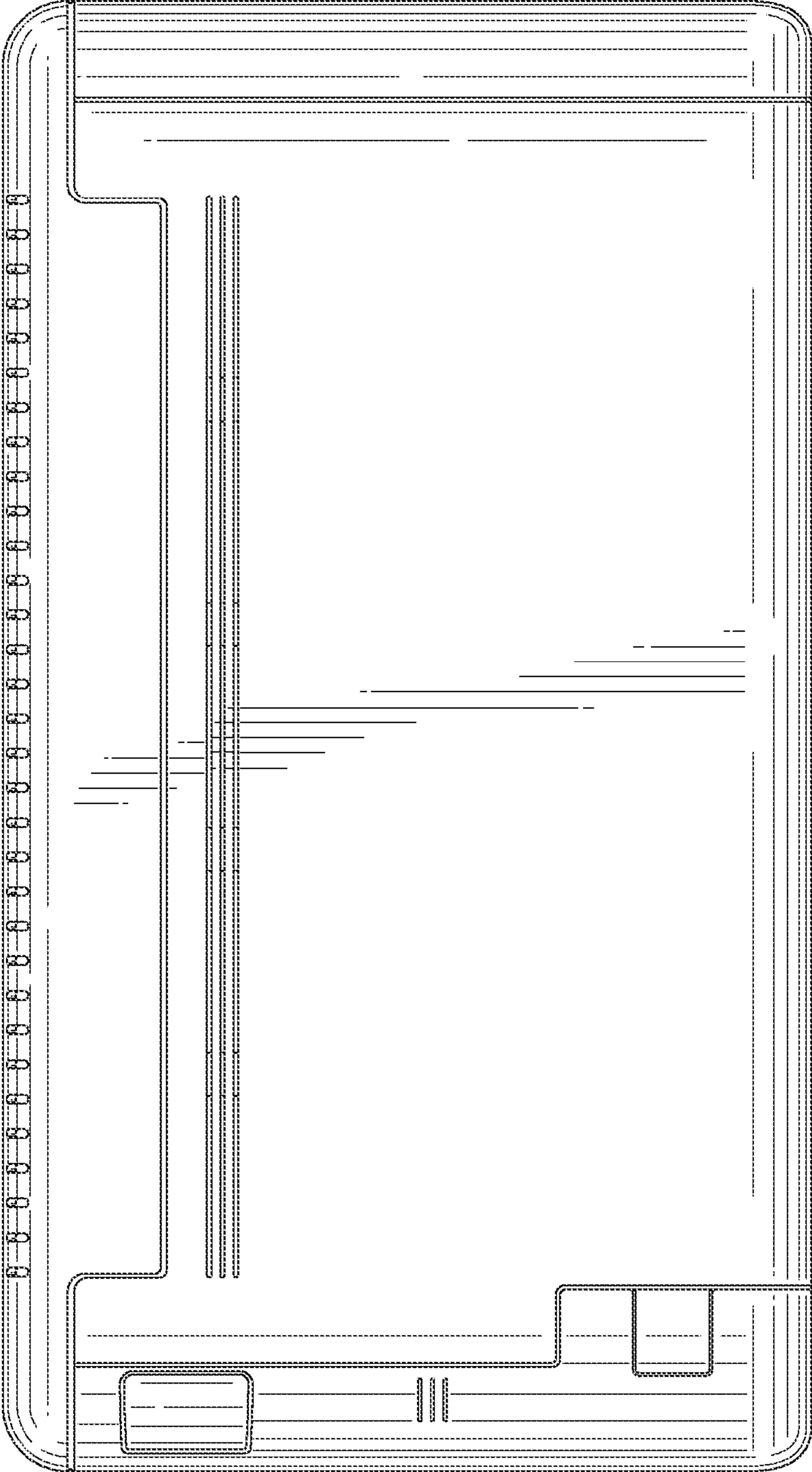


FIG. 6

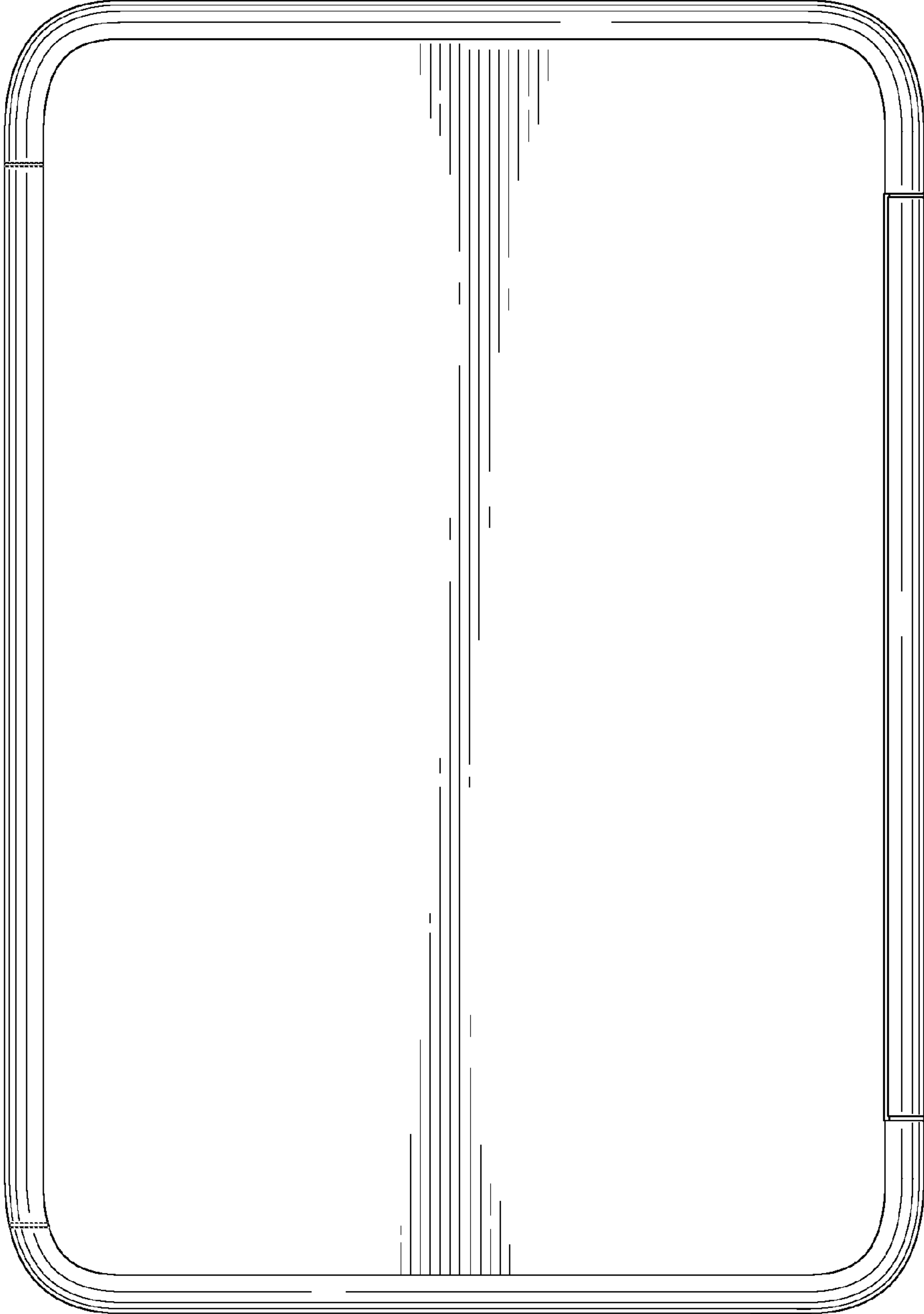


FIG. 7