



US00D685411S

(12) **United States Design Patent**
Tanaka et al.

(10) **Patent No.:** **US D685,411 S**
(45) **Date of Patent:** **** Jul. 2, 2013**

(54) **PRINTER**

(56) **References Cited**

(75) Inventors: **Yoshiyuki Tanaka**, Matsumoto (JP);
Yuichi Kitazawa, Matsumoto (JP);
Mugio Kawasaki, Suwa (JP); **Seiji Kawabata**, Matsumoto (JP); **Koji Hara**,
Shiojiri (JP); **Toshimitsu Ohara**,
Matsumoto (JP); **Yoji Nakano**,
Matsumoto (JP)

U.S. PATENT DOCUMENTS

D435,859	S	*	1/2001	Khovaylo et al.	D18/49
D449,063	S	*	10/2001	Khovaylo et al.	D18/49
D576,203	S	*	9/2008	Laidlaw et al.	D18/55
D607,505	S	*	1/2010	Sasaki et al.	D18/55
D613,791	S	*	4/2010	Yoshioka et al.	D18/55
D619,645	S	*	7/2010	Sato	D18/49
D630,245	S	*	1/2011	Terenzio et al.	D18/48
D673,213	S	*	12/2012	Kim et al.	D18/55

(73) Assignee: **Seiko Epson Corporation**, Tokyo (JP)

* cited by examiner

(**) Term: **14 Years**

Primary Examiner — Garth Rademaker

(21) Appl. No.: **29/419,202**

(57) **CLAIM**

The ornamental design for a printer, as shown and described.

(22) Filed: **Apr. 26, 2012**

DESCRIPTION

(30) **Foreign Application Priority Data**

Dec. 27, 2011 (JP) 2011-030197

(51) **LOC (9) Cl.** **18-99**

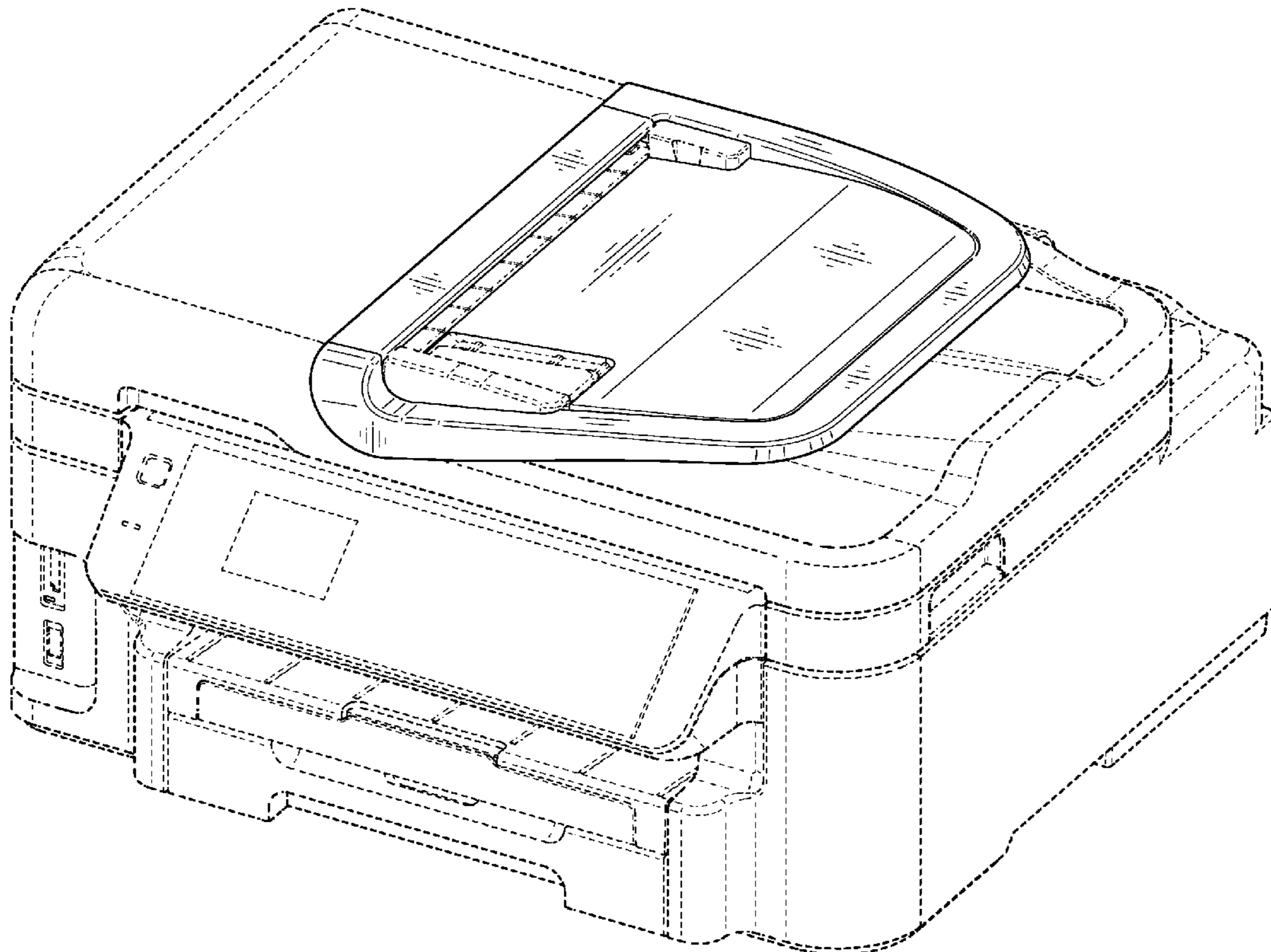
(52) **U.S. Cl.**
USPC **D18/49**

(58) **Field of Classification Search**
USPC D18/36-41, 44-56; 222/DIG. 1; 271/3.14,
271/8.1, 226, 278; 355/97, 99; 358/1.1;
399/1-7, 16, 75, 81, 107, 130, 151, 361,
399/365, 367, 381-383, 388

FIG. 1 is a front, top and right side perspective view of a printer showing our new design;
FIG. 2 is a rear, top and left side perspective view thereof;
FIG. 3 is a front elevational view thereof;
FIG. 4 is a rear elevational view thereof;
FIG. 5 is a right side elevational view thereof; and,
FIG. 6 is a top plan view thereof.
The broken lines are shown for illustrative purposes only and form no part of the claimed design.

See application file for complete search history.

1 Claim, 5 Drawing Sheets



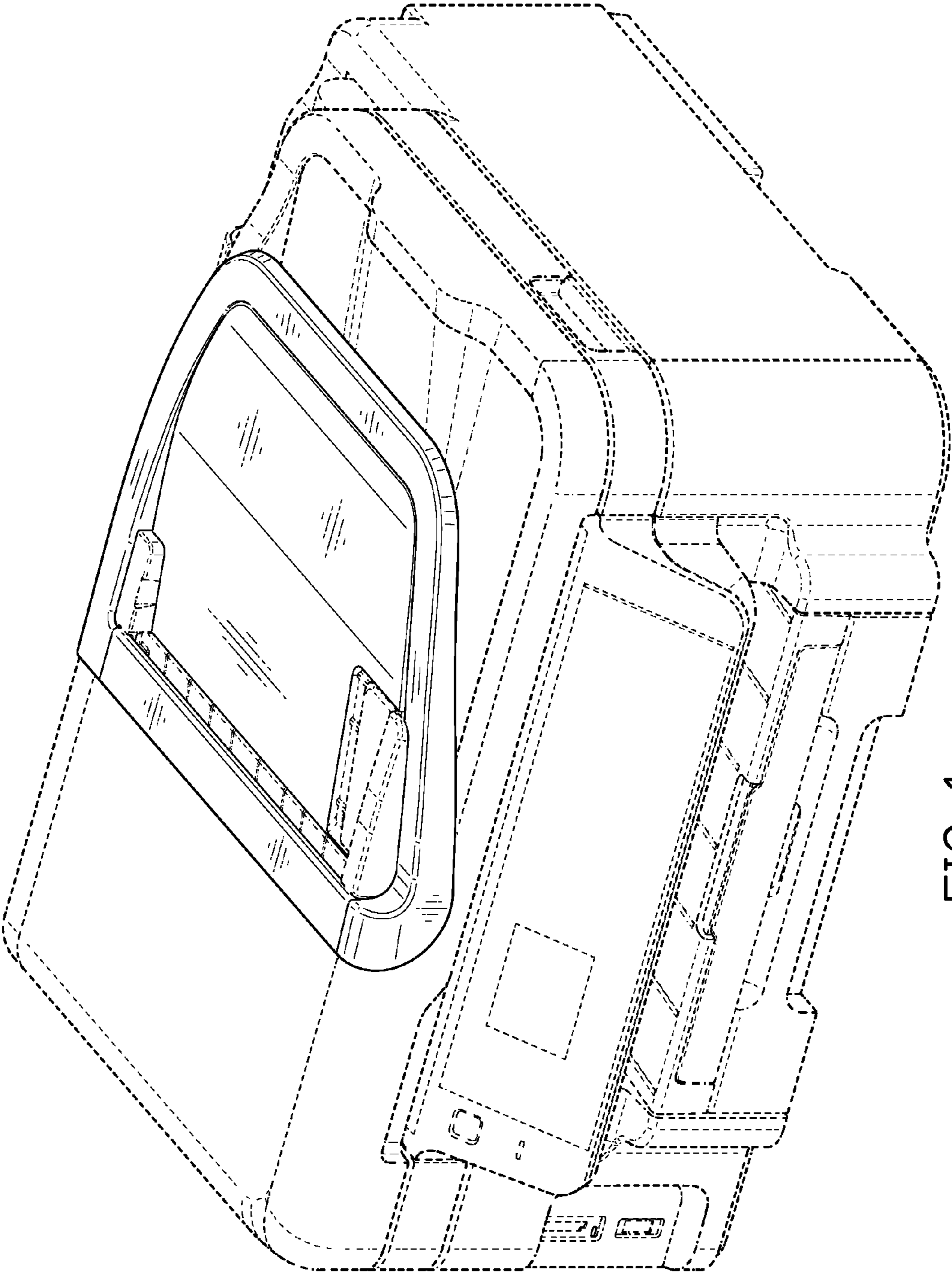


FIG. 1

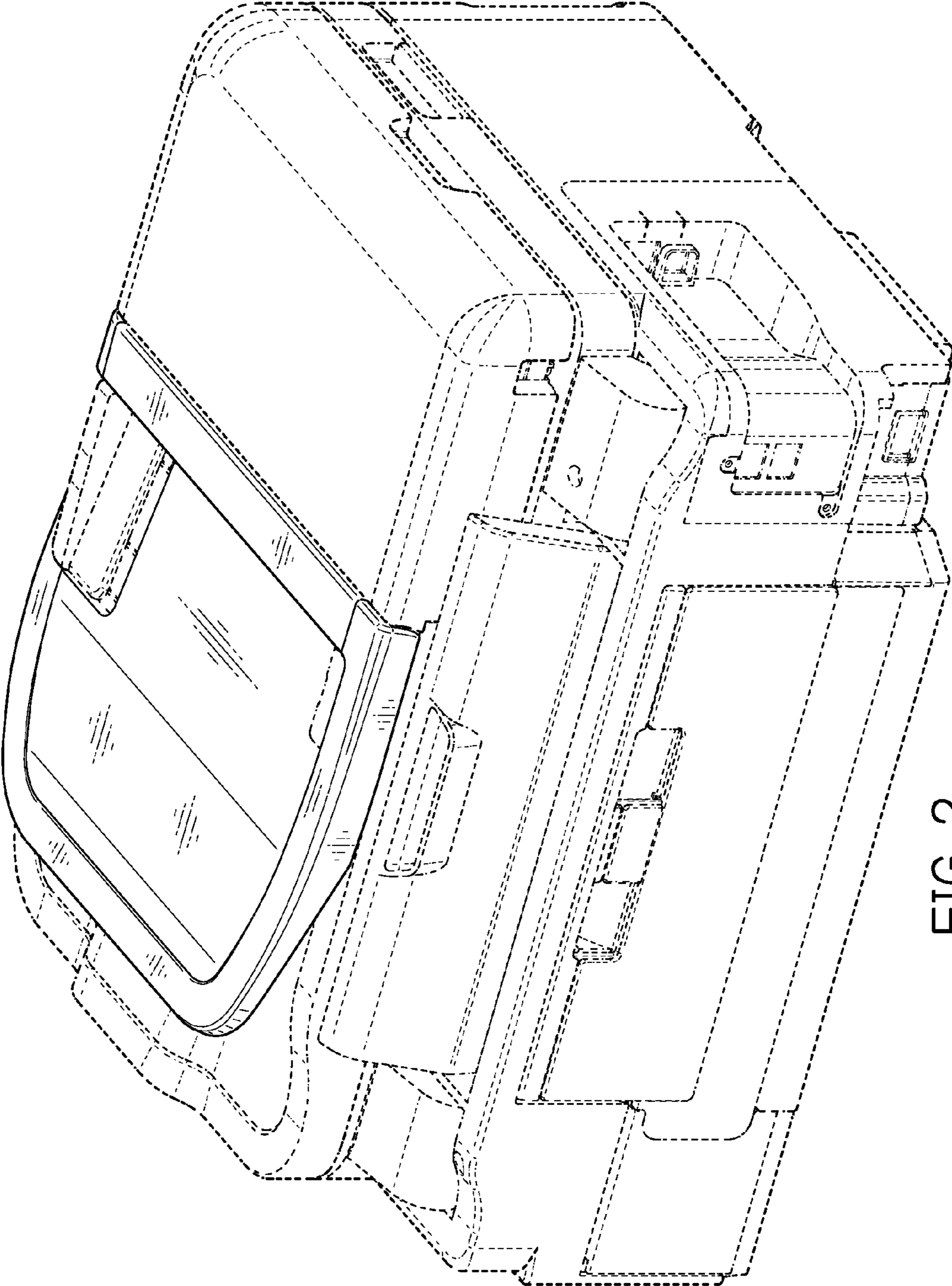


FIG. 2

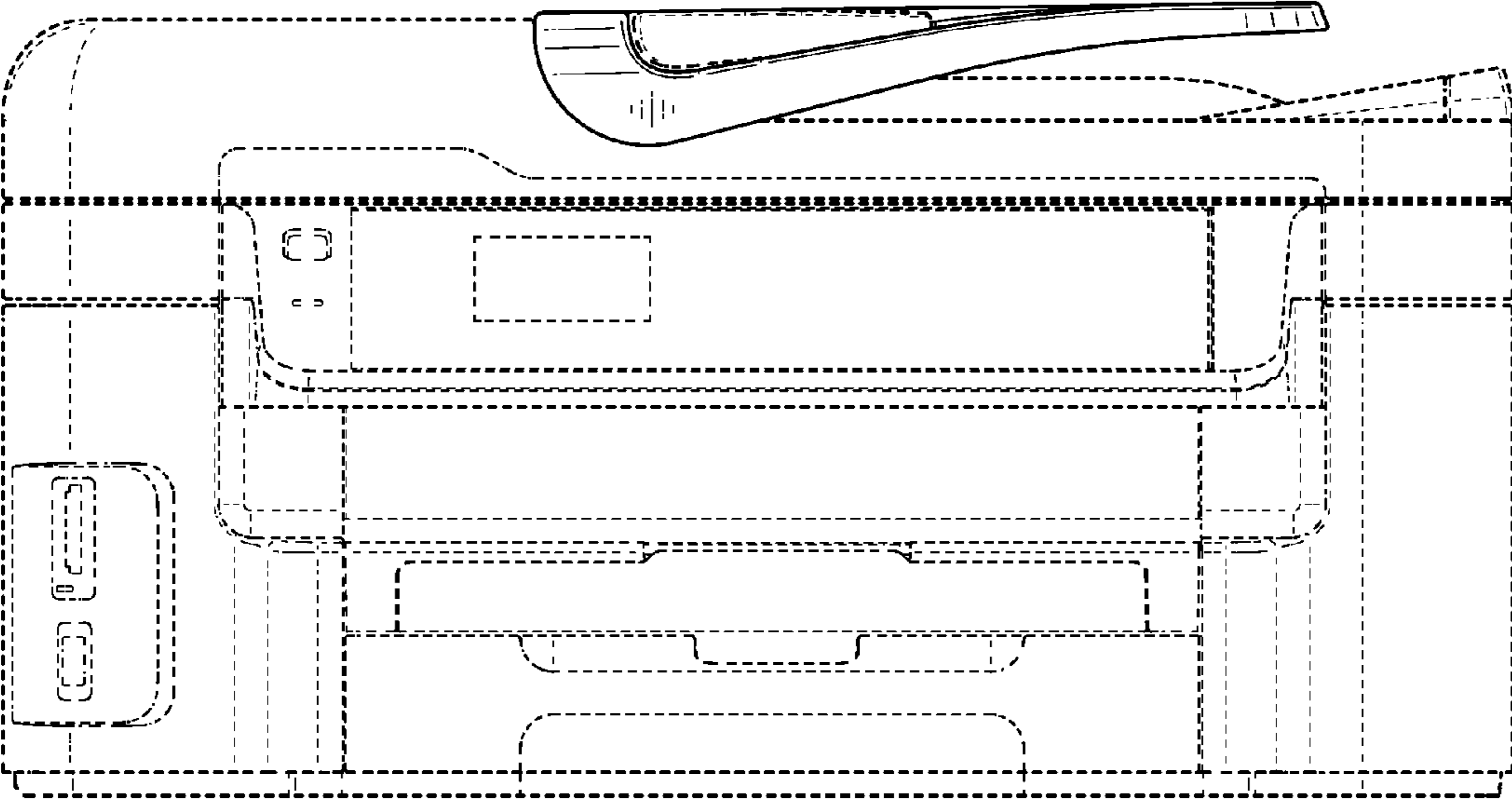


FIG. 3

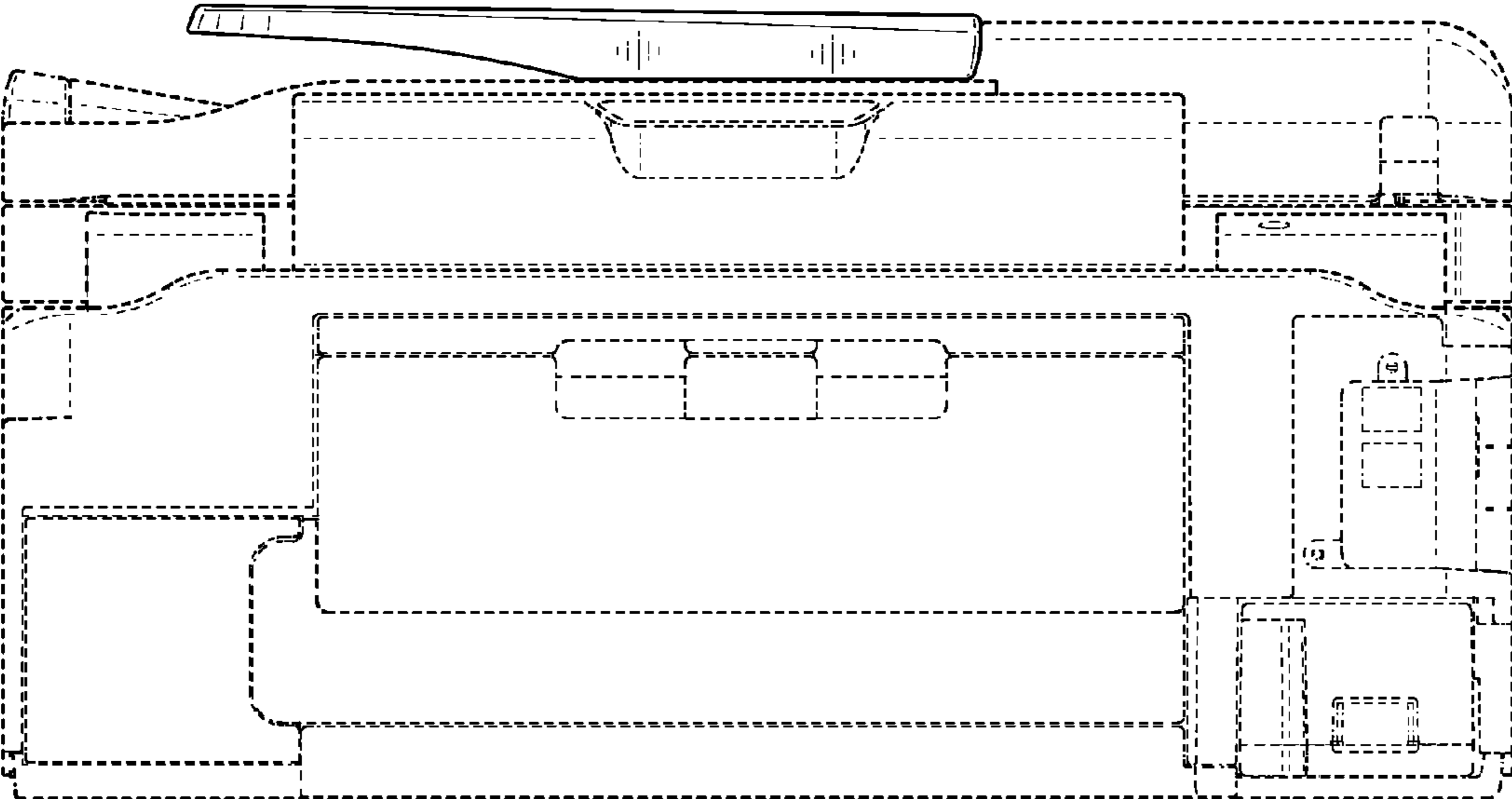


FIG. 4

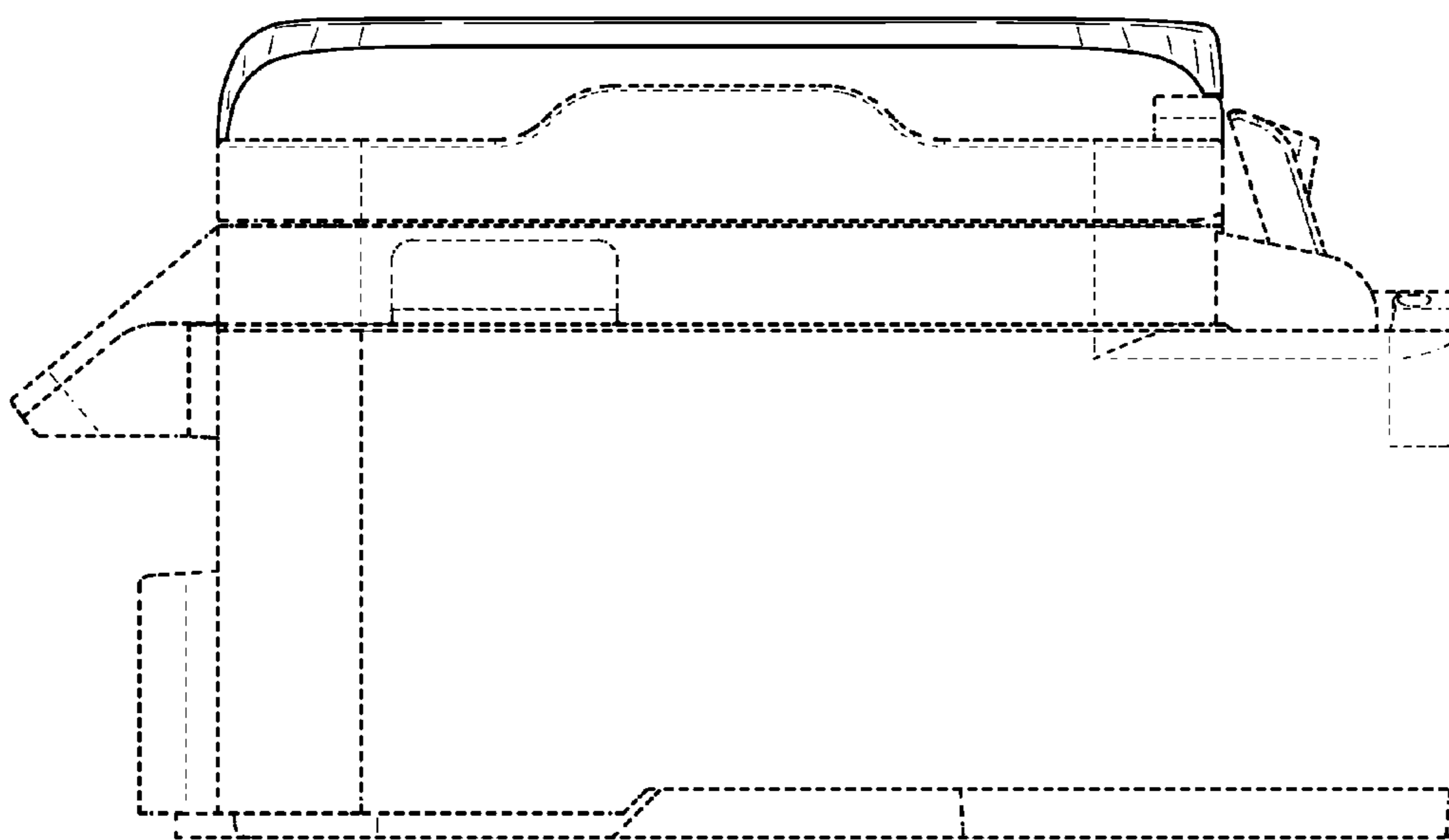


FIG. 5

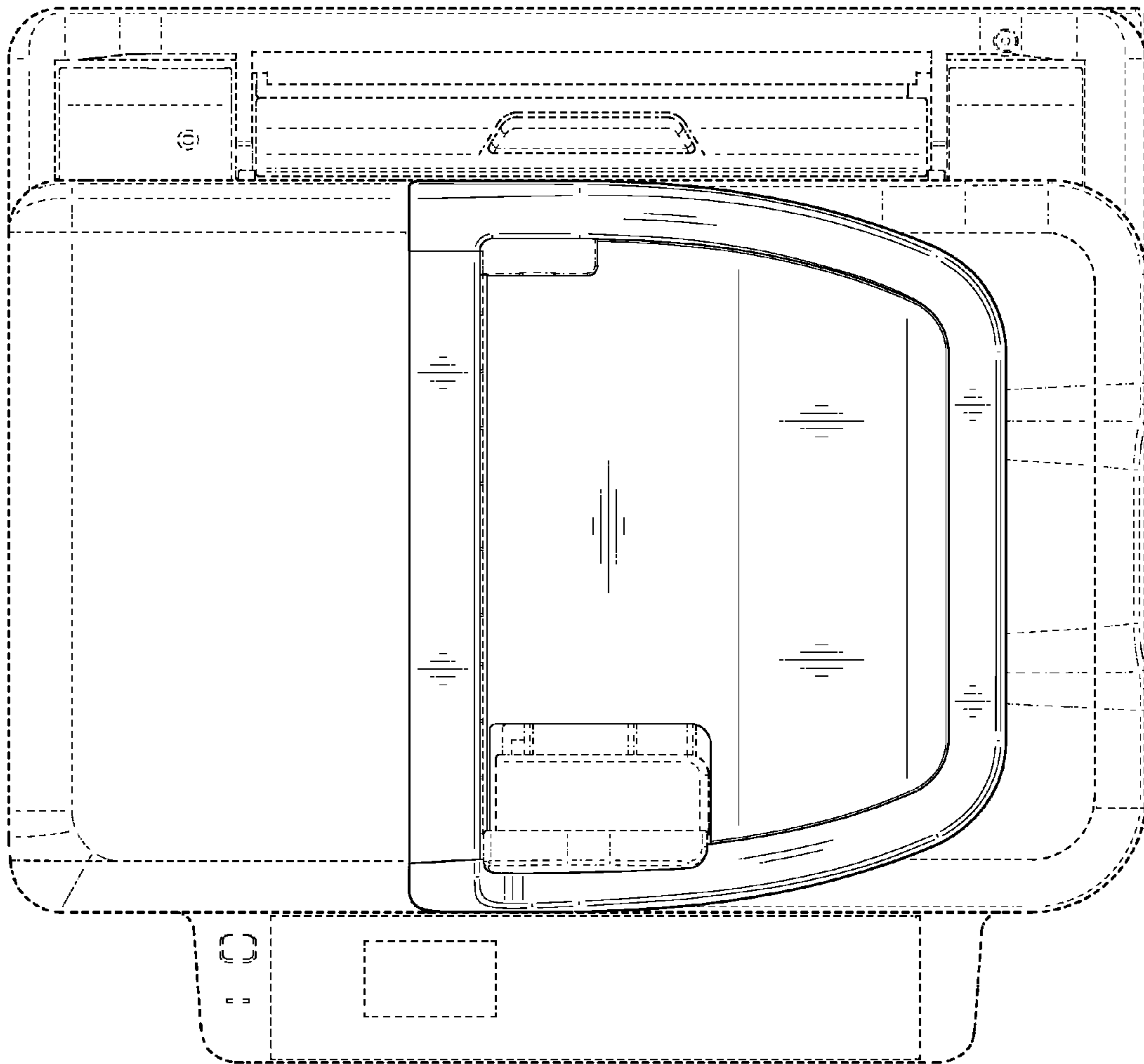


FIG. 6