



US00D685407S

(12) **United States Design Patent**
Lin et al.

(10) **Patent No.:** **US D685,407 S**
(45) **Date of Patent:** **** Jul. 2, 2013**

(54) **SWIMMING MASK**

(56) **References Cited**

(75) Inventors: **Joseph Lin**, Torrance, CA (US); **Year**
Wah Lee, Kowloon (HK)

(73) Assignee: **Stallion Sport Limited**, Hong Kong
(HK)

(**) Term: **14 Years**

(21) Appl. No.: **29/429,273**

(22) Filed: **Aug. 8, 2012**

(51) **LOC (9) Cl.** **16-06**

(52) **U.S. Cl.**
USPC **D16/312**

(58) **Field of Classification Search**
USPC D16/101, 300–342, 900; D29/109–110;
351/41, 44, 51–52, 62, 158, 92, 103–123,
351/140–153, 45–46; 2/426–432, 447–449,
2/441, 434–437, 13, 15; D21/483, 659–661;
D14/372

See application file for complete search history.

U.S. PATENT DOCUMENTS

D371,566 S *	7/1996	Kolada et al.	D16/311
D450,833 S *	11/2001	Olivieri	D24/110.2
D484,171 S *	12/2003	Urabe	D16/312
7,134,149 B2 *	11/2006	Sato	2/431
D588,259 S *	3/2009	Shiue	D24/110.2
D590,430 S *	4/2009	Shiue	D16/312

* cited by examiner

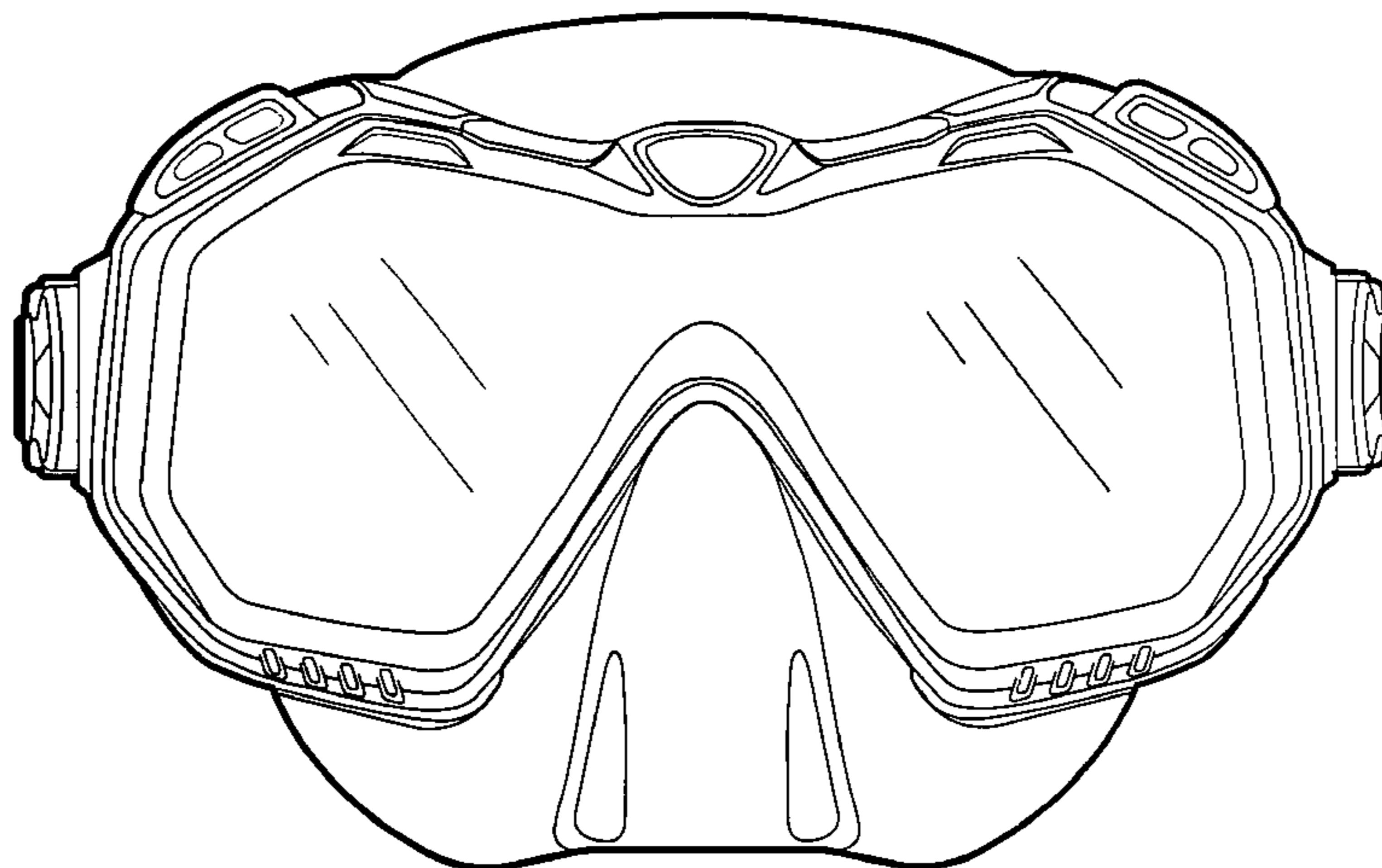
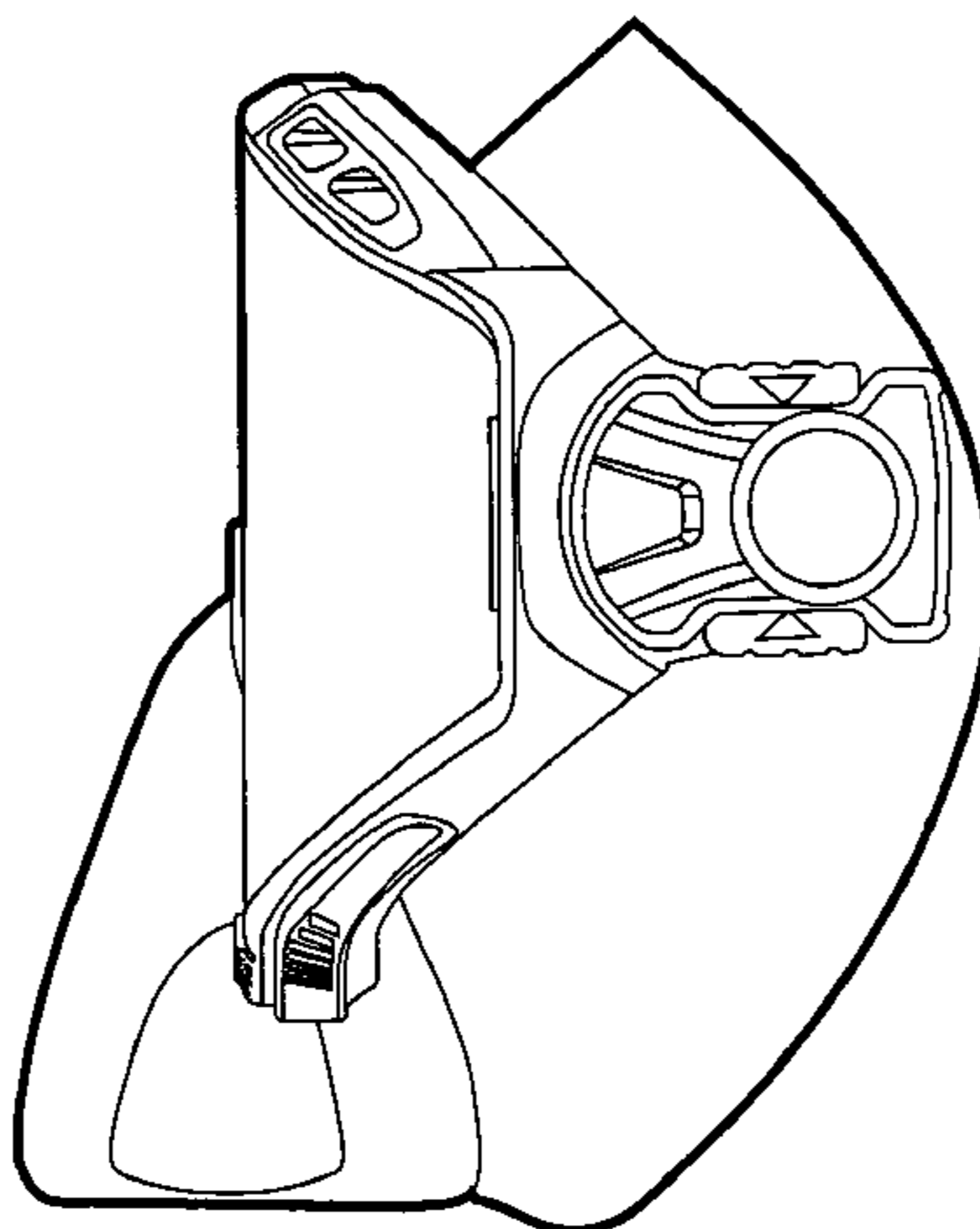
Primary Examiner — Raphael Barkai
(74) *Attorney, Agent, or Firm* — Raymond Sun

(57) **CLAIM**
The ornamental design for a swimming mask, as shown and described.

DESCRIPTION

FIG. 1 is a perspective view of a swimming mask showing my new design.
FIG. 2 is a top plan view thereof;
FIG. 3 is a left plan view of the swimming mask; the right plan view being a mirror image thereof; and,
FIG. 4 is a front plan view thereof.

1 Claim, 4 Drawing Sheets



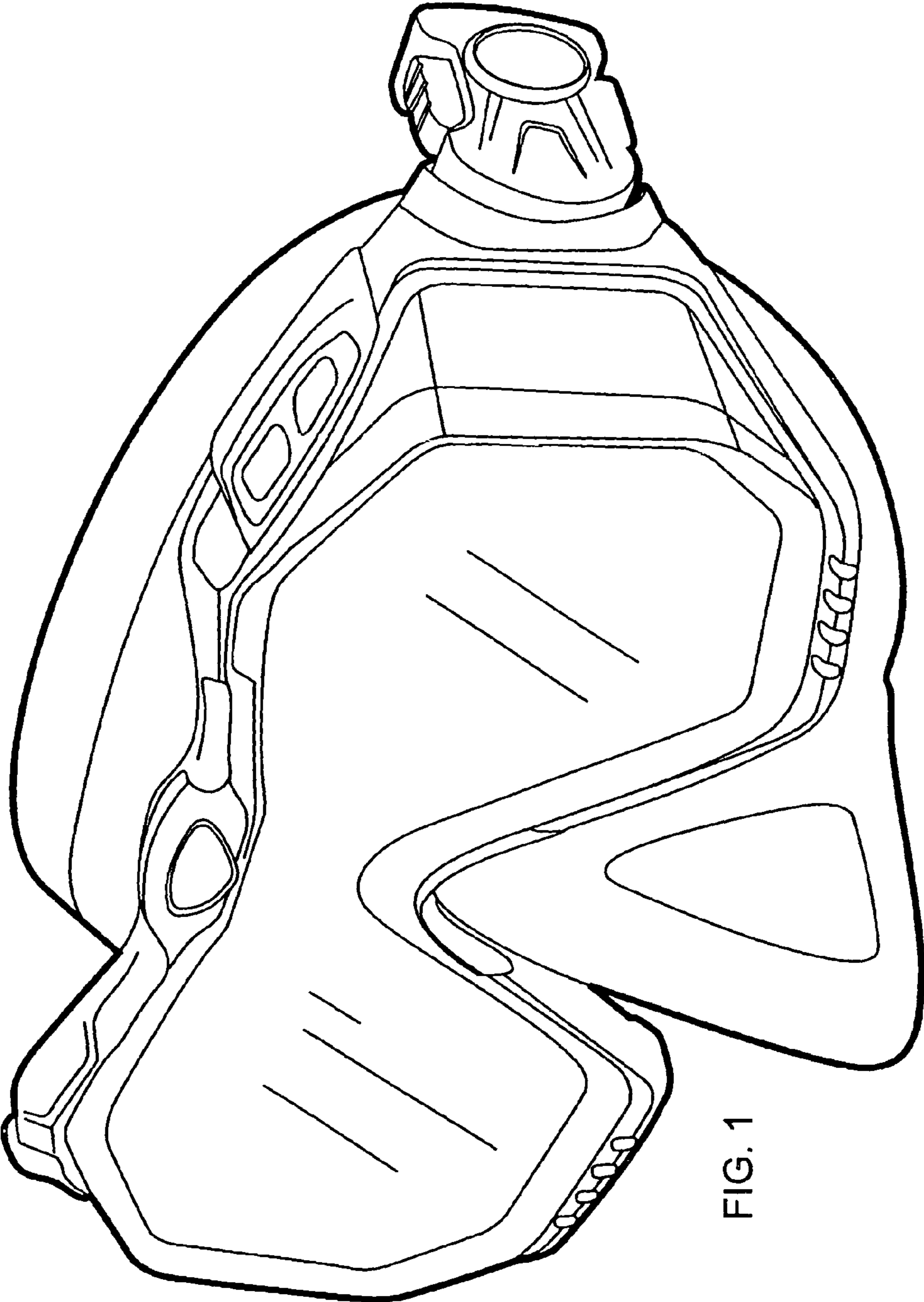


FIG. 1

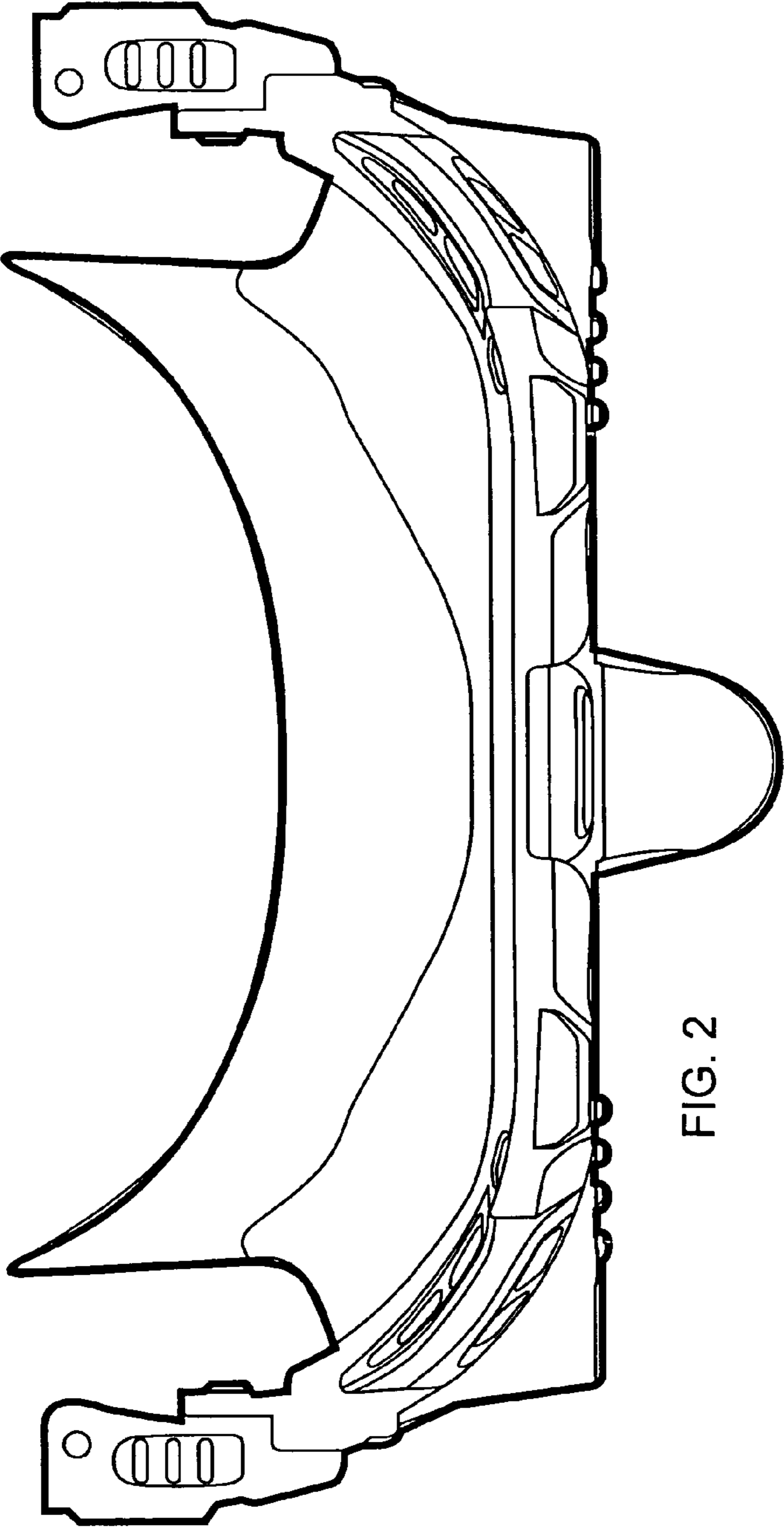


FIG. 2

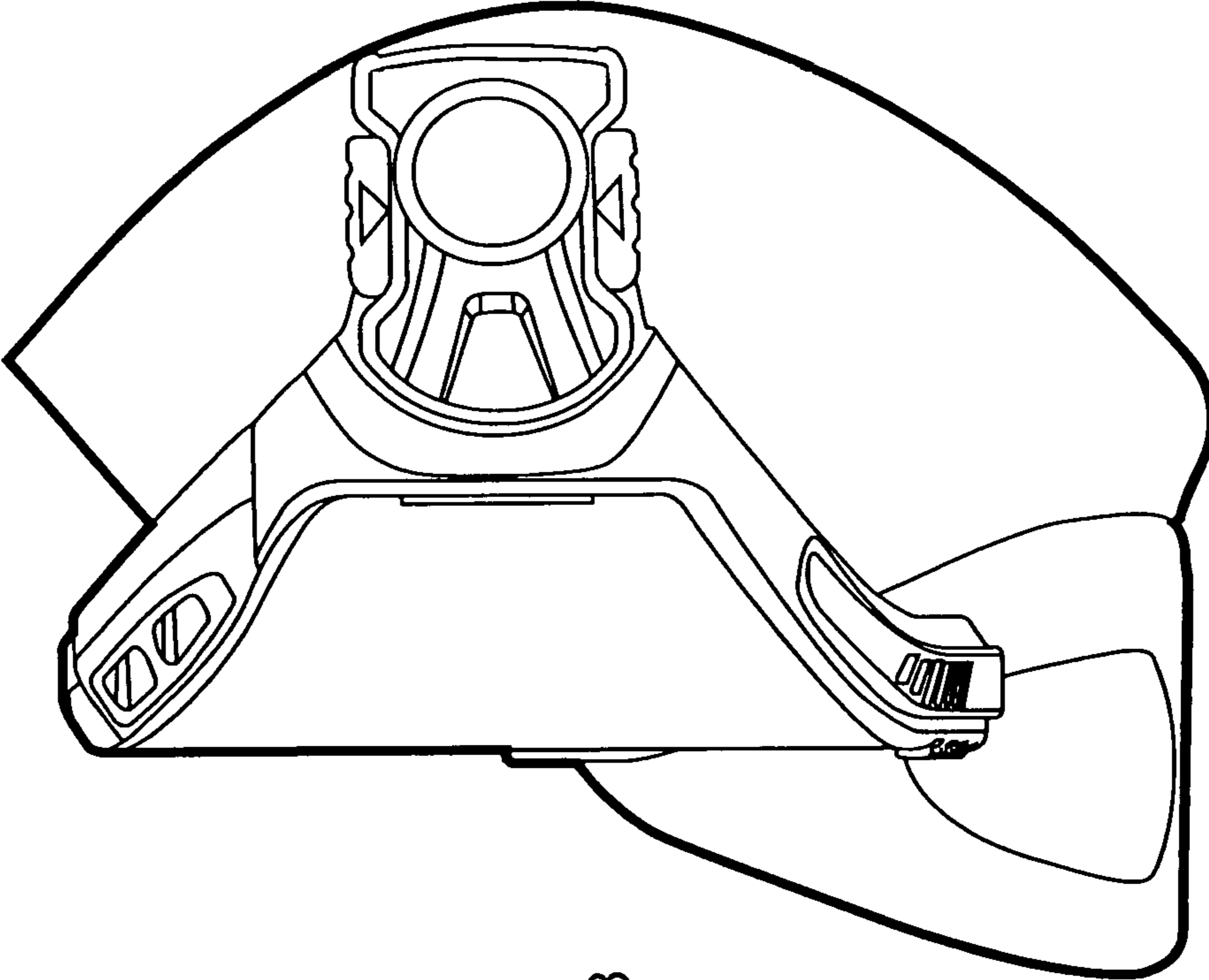


FIG. 3

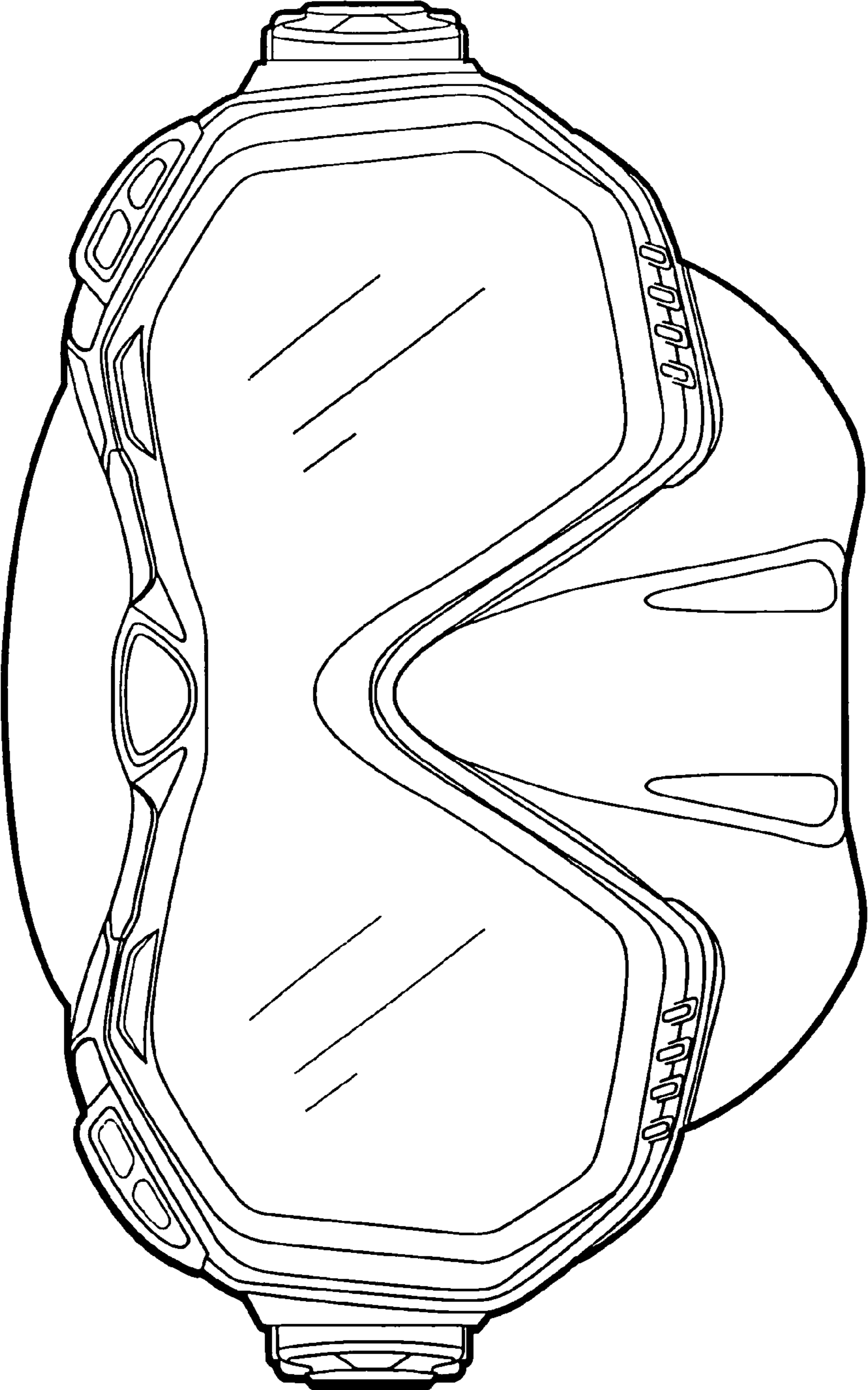


FIG. 4