



US00D685406S

(12) **United States Design Patent**
Cobian et al.

(10) **Patent No.:** **US D685,406 S**

(45) **Date of Patent:** **** Jul. 2, 2013**

(54) **VIRTUAL PRESENTER**

(75) Inventors: **Paul J. Cobian**, Woodbury, MN (US);
Steven G. Lucht, Woodbury, MN (US);
Thomas G. Skulley, St. Paul, MN (US);
Nicholas A. Johnson, Burnsville, MN (US)

(73) Assignee: **3M Innovative Properties**, Saint Paul, MN (US)

(**) Term: **14 Years**

(21) Appl. No.: **29/416,577**

(22) Filed: **Mar. 23, 2012**

(51) **LOC (9) Cl.** **16-02**

(52) **U.S. Cl.**
USPC **D16/221**; D16/225

(58) **Field of Classification Search**
USPC D16/221, 225, 228–231, 233–234; D21/514;
348/203; 353/20, 30, 79, 115, 119, 122;
359/443, 452–453, 456, 460; D14/128
See application file for complete search history.

(56) **References Cited**

U.S. PATENT DOCUMENTS

D132,665 S *	6/1942	Dutton	D16/221
D134,484 S *	12/1942	Gradisar et al.	D16/225
D154,249 S *	6/1949	Dutton	D16/221
D183,462 S *	9/1958	Maiershofer et al.	D16/229
D188,772 S *	9/1960	Pasternack	D16/225
D234,864 S *	4/1975	Hoeweler et al.	D21/514
D238,796 S *	2/1976	Cummings et al.	D21/514

4,092,064 A *	5/1978	Puel	353/79
6,206,524 B1 *	3/2001	Jacob	353/119
7,658,497 B2 *	2/2010	Miwa et al.	353/20
7,923,675 B2	4/2011	Tanis-Likkel	
8,193,480 B2	6/2012	Tanis-Likkel	
2010/0315327 A1 *	12/2010	Violainen	353/79
2012/0013850 A1 *	1/2012	Kaseya	353/20
2012/0236268 A1	9/2012	Tanis-Likkel	

* cited by examiner

Primary Examiner — Wan Laymon

(74) *Attorney, Agent, or Firm* — Jay R. Pralle; Steven A. Bern

(57) **CLAIM**

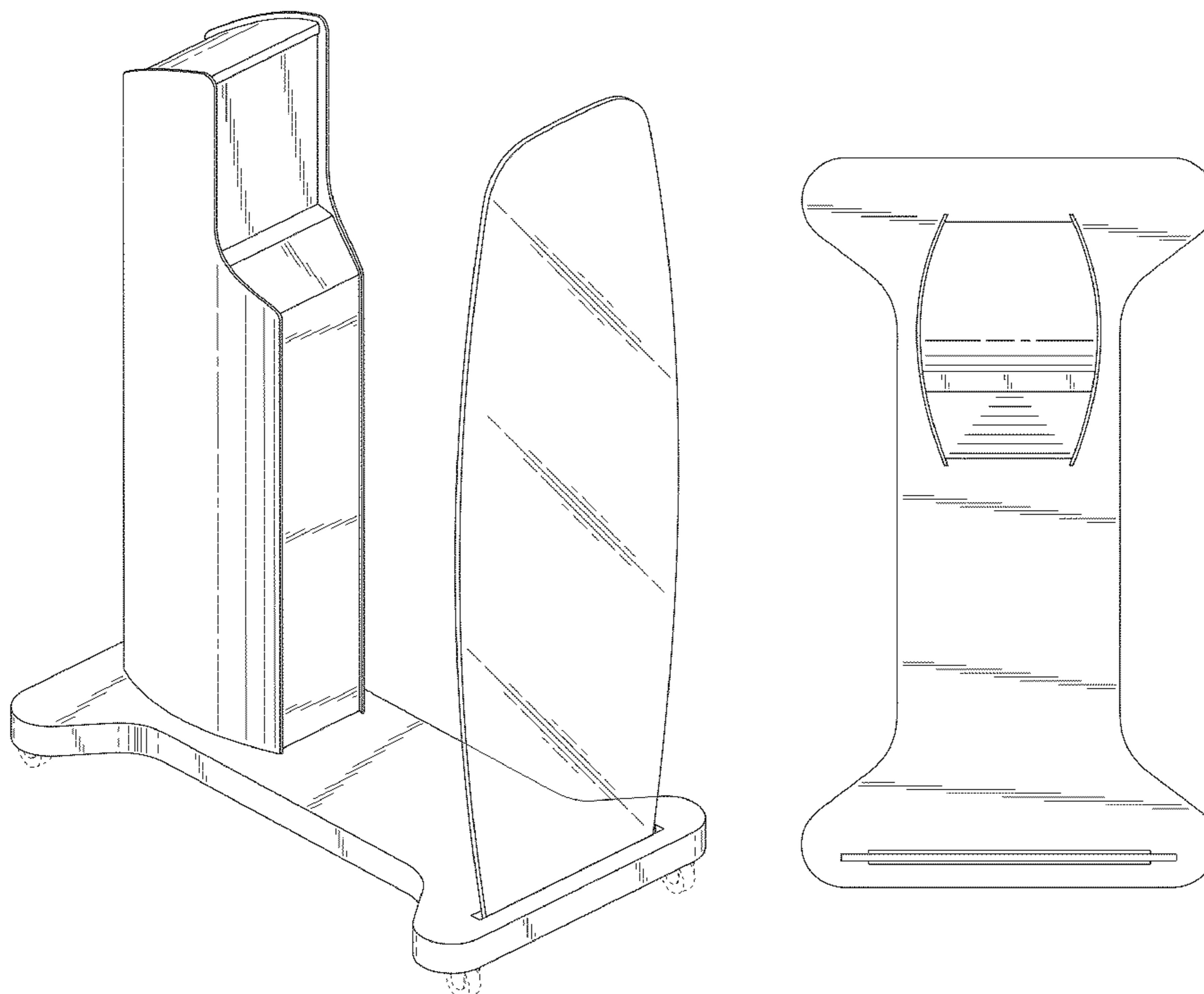
The ornamental design for a virtual presenter, as shown and described.

DESCRIPTION

FIG. 1 is a top perspective view of the new design for a virtual presenter.
FIG. 2 is a front elevation view thereof;
FIG. 3 is a back elevation view thereof;
FIG. 4 is right side elevation view thereof, which is a mirror image of the left side elevation view;
FIG. 5 is top plan view thereof;
FIG. 6 is a bottom plan view thereof; and
FIG. 7 is top perspective view of another embodiment of the new design for a virtual presenter.

The design includes a screen, which may be any other shape, including geometric shapes and silhouettes. Broken lines are used to show attached wheels, which form no part of the claimed design.

1 Claim, 6 Drawing Sheets



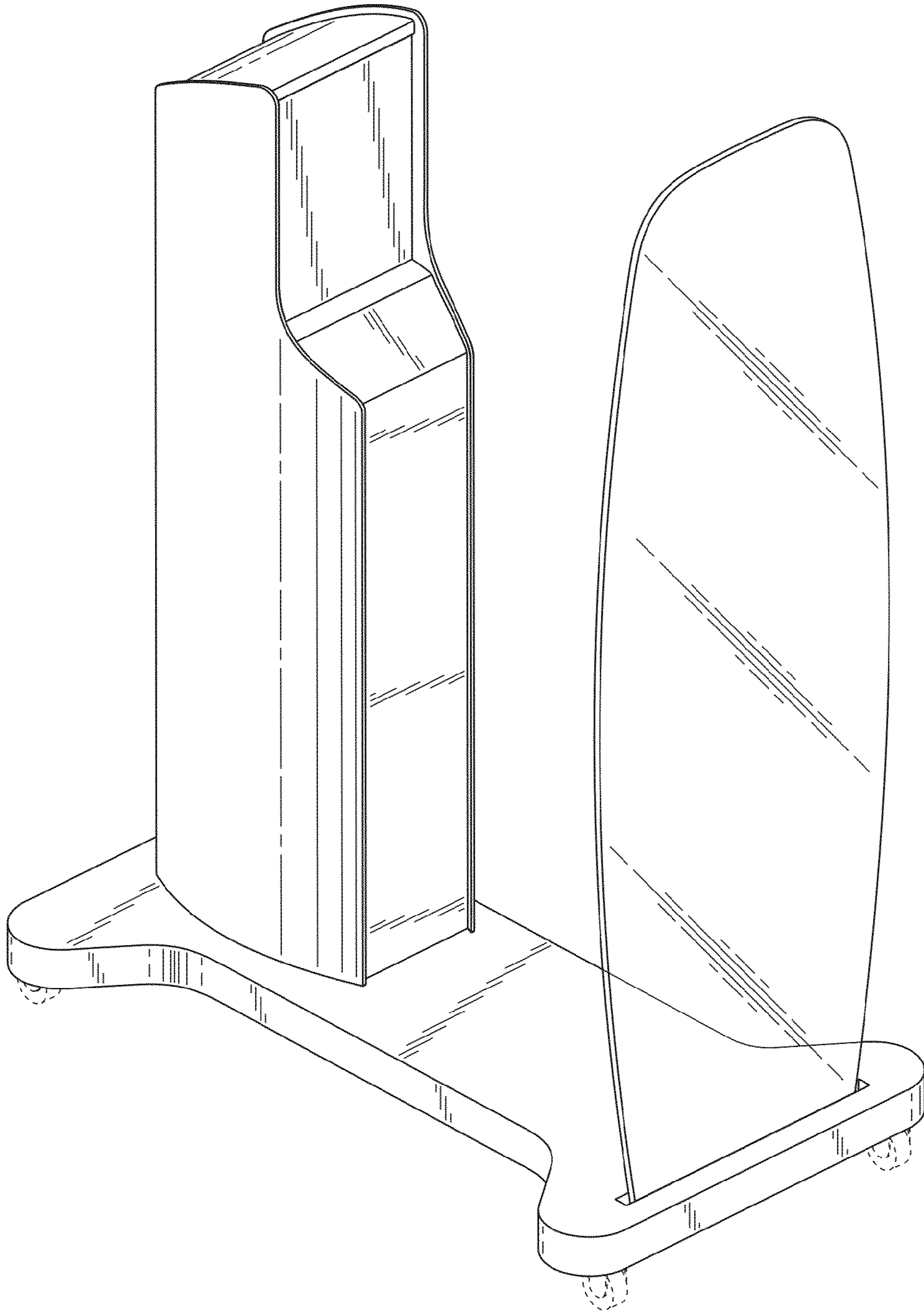


Fig. 1

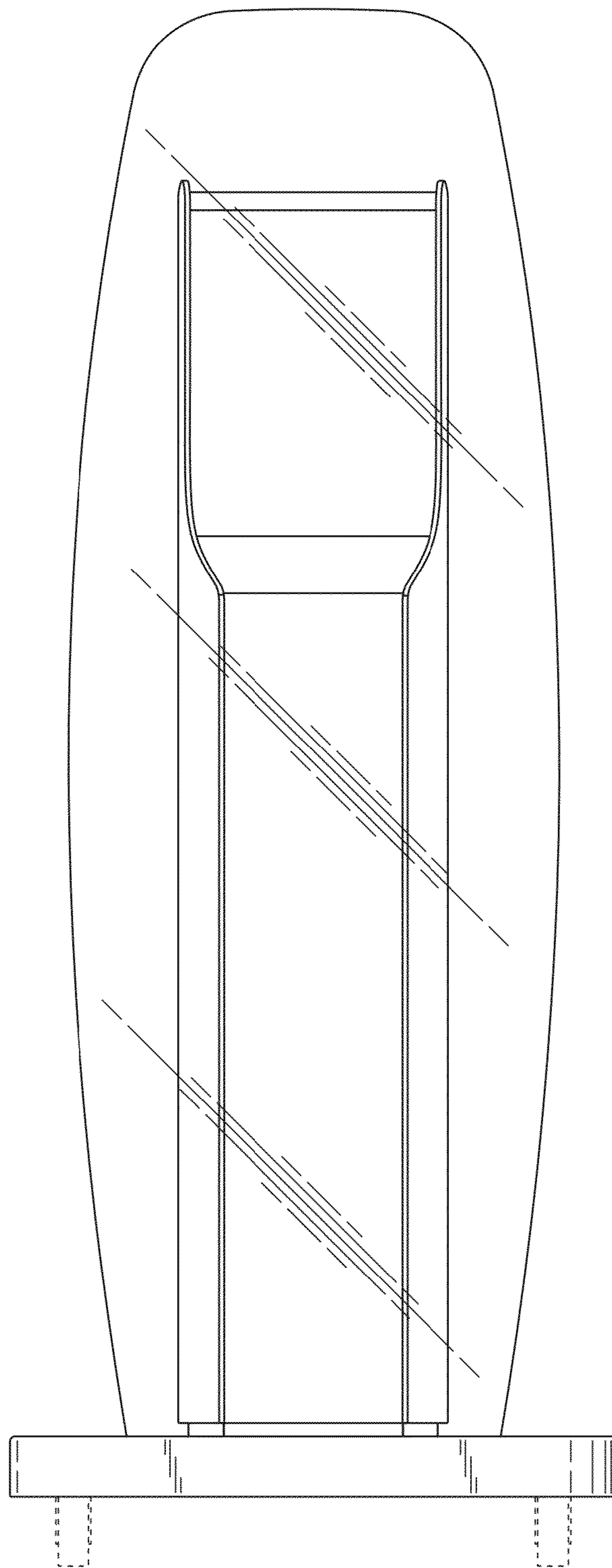


Fig. 2

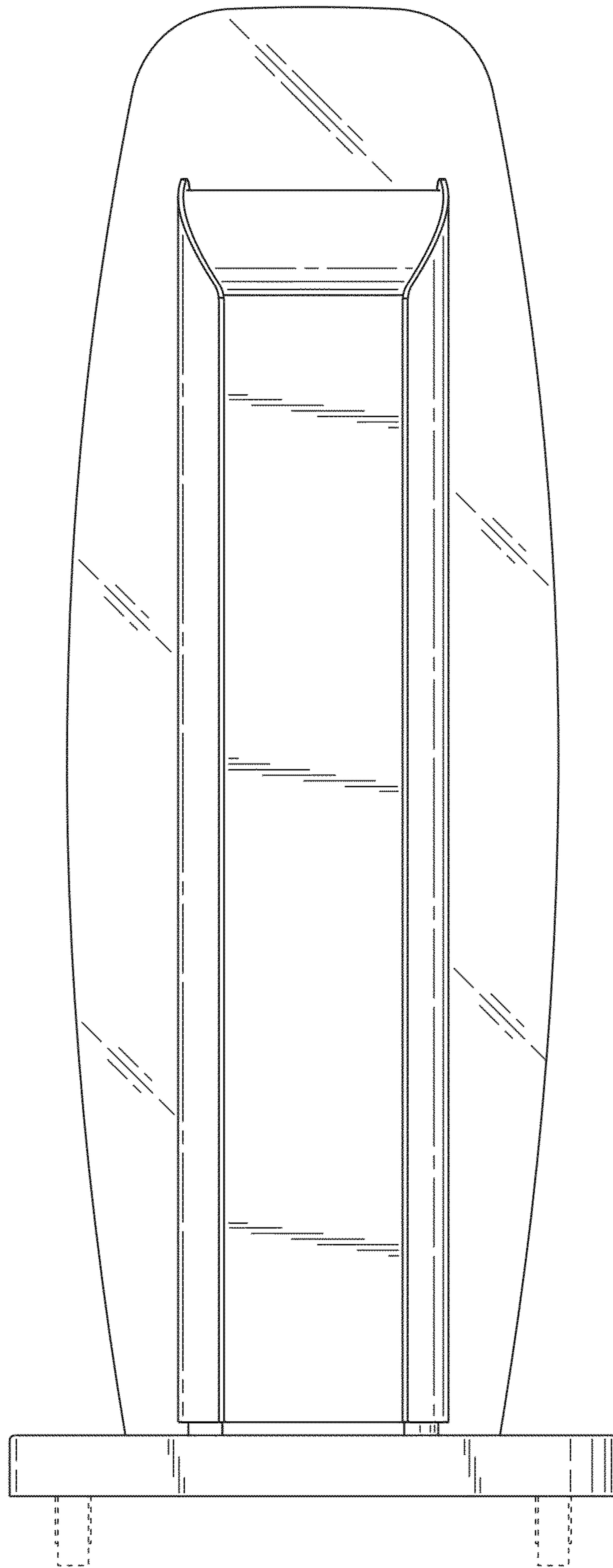


Fig. 3

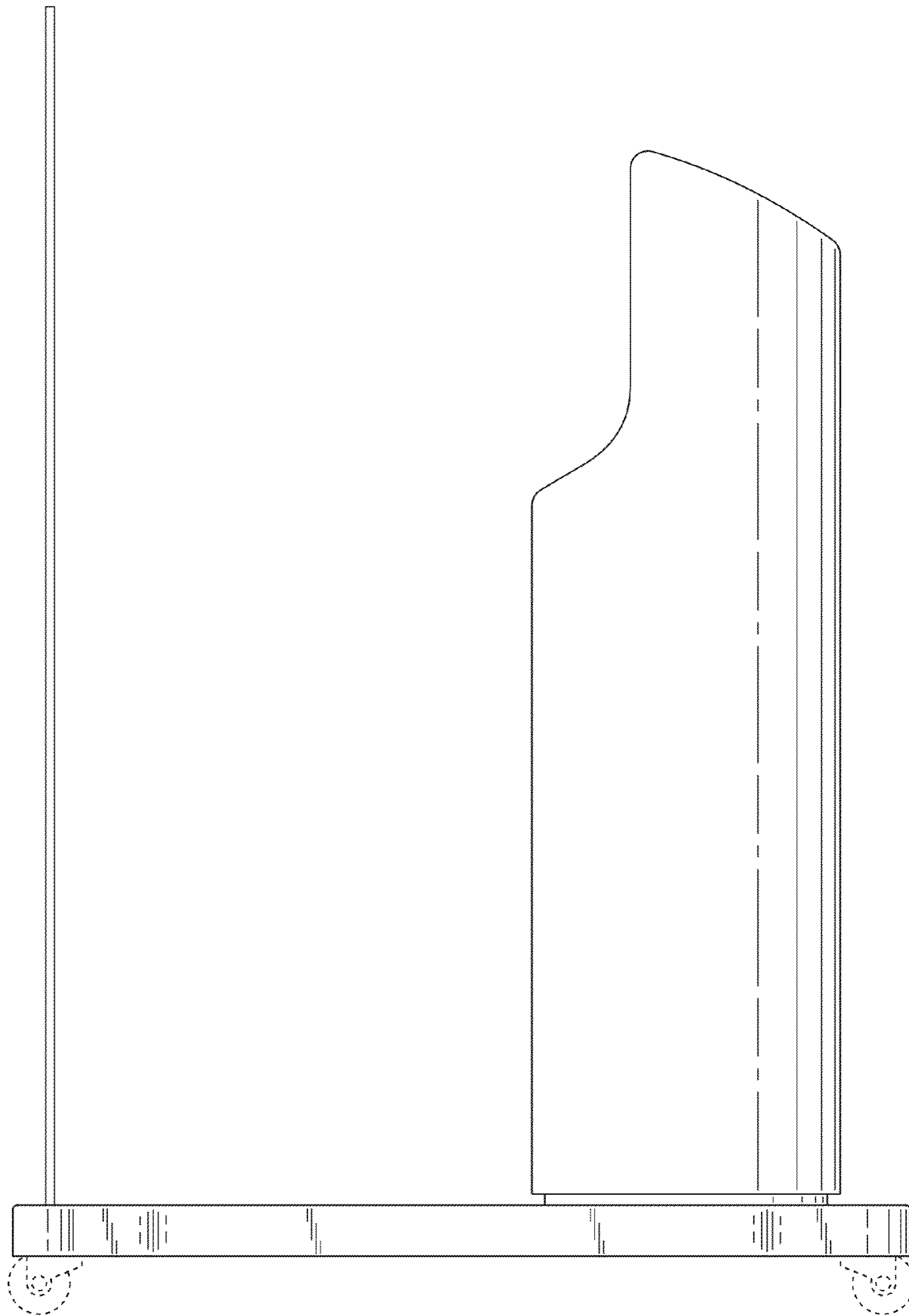


Fig. 4

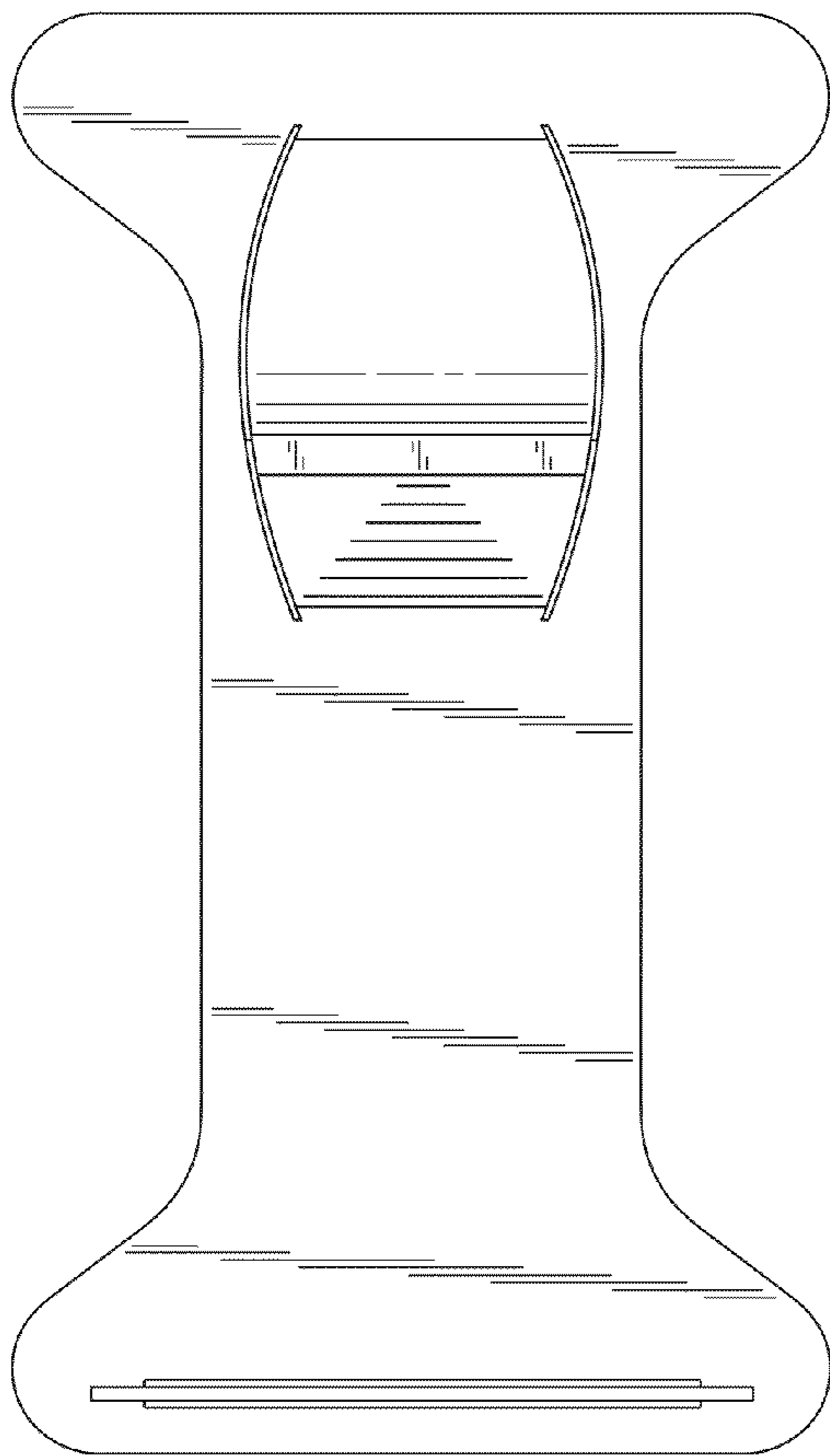


Fig. 5

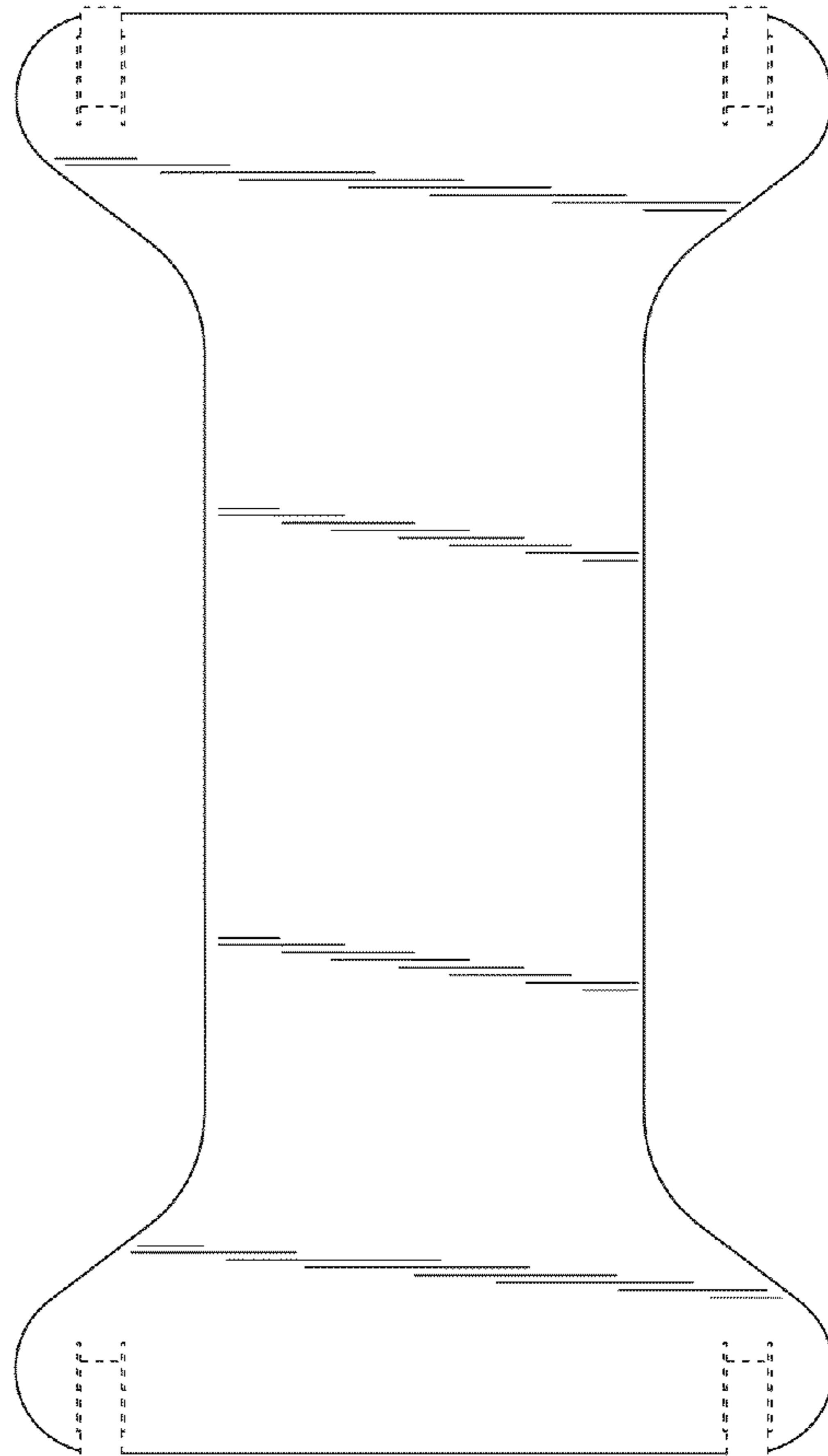


Fig. 6

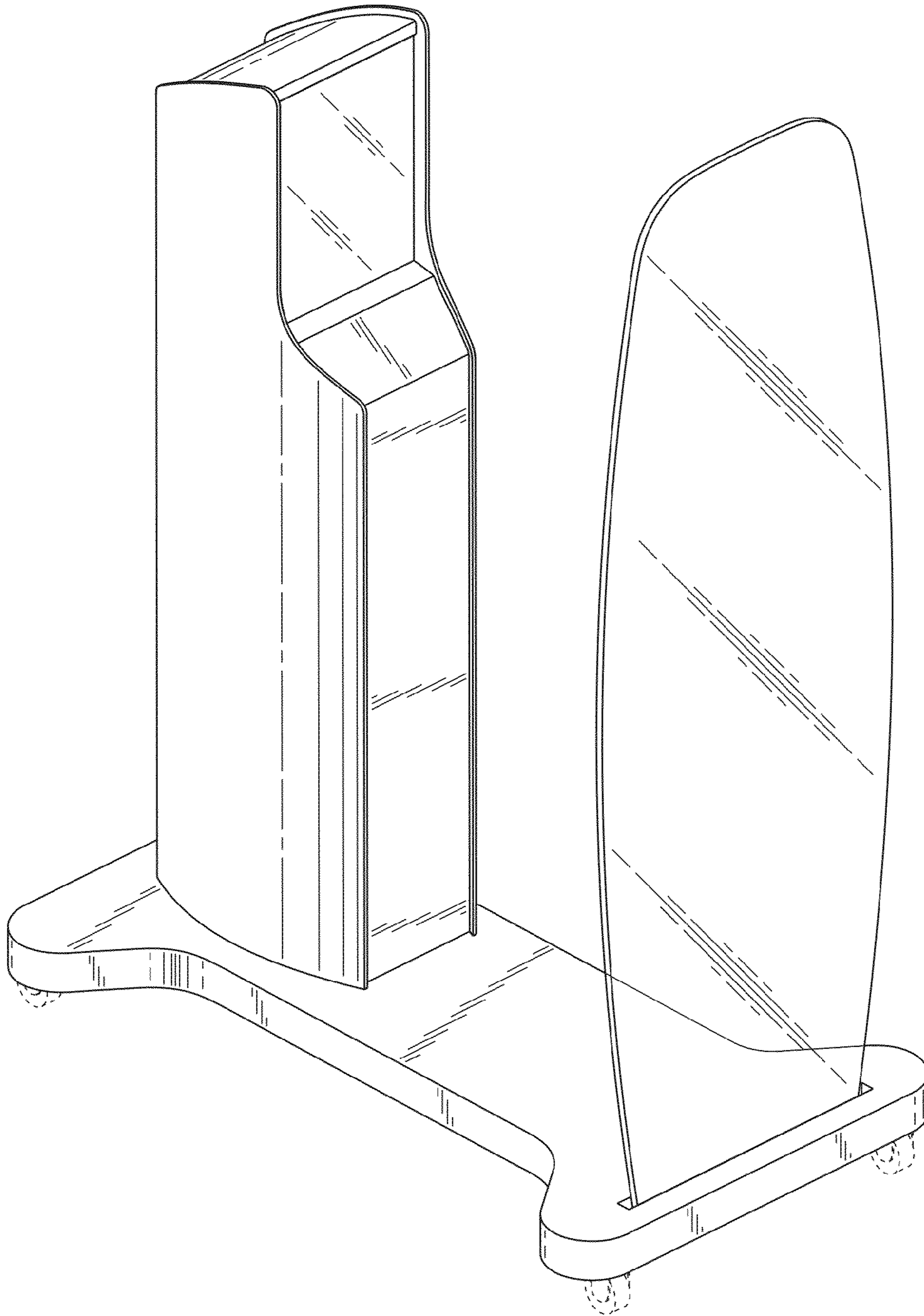


Fig. 7