



US00D685405S

(12) **United States Design Patent**
Butler et al.

(10) **Patent No.:** **US D685,405 S**

(45) **Date of Patent:** **** *Jul. 2, 2013**

(54) **FLOOR STAND WITH ANGLED ARM FOR MICROSCOPE**

(75) Inventors: **Jonathan Michael Butler**, Gainesville, GA (US); **Robert Troy Hewlett**, Cumming, GA (US); **Robert Jeffrey Hewlett**, Dawsonville, GA (US); **Robert McCoy Hewlett**, Cumming, GA (US)

(73) Assignee: **Endure Medical, Inc.**, Cumming, GA (US)

(*) Notice: This patent is subject to a terminal disclaimer.

(**) Term: **14 Years**

(21) Appl. No.: **29/404,564**

(22) Filed: **Oct. 21, 2011**

(51) **LOC (9) Cl.** **16-06**

(52) **U.S. Cl.**
USPC **D16/131; D16/136**

(58) **Field of Classification Search**
USPC D16/130, 131, 136; 359/368, 384, 359/381, 382, 370, 824, 386; 248/123, 123.11, 248/122.1, 123.1, 125.7, 278.1, 280.111
See application file for complete search history.

(56) **References Cited**

U.S. PATENT DOCUMENTS

4,798,451 A * 1/1989 Fujiwara 359/375
4,881,709 A * 11/1989 Nakamura 248/281.11

5,074,651	A *	12/1991	Nagamine	359/384
5,332,181	A *	7/1994	Schweizer et al.	248/123.11
5,748,366	A *	5/1998	Yasunaga et al.	359/368
6,254,046	B1 *	7/2001	Biber	248/287.1
D464,068	S *	10/2002	Asaka et al.	D16/131
6,471,165	B2 *	10/2002	Twisselmann	248/123.11
6,899,307	B2 *	5/2005	Strauss et al.	248/280.11
7,506,981	B2 *	3/2009	Kim	351/206
7,594,188	B2 *	9/2009	Rudolph et al.	715/810
D623,210	S *	9/2010	Matuschek et al.	D16/131
D634,344	S *	3/2011	Nusser et al.	D16/131
D649,992	S *	12/2011	Nusser	D16/131
D660,894	S *	5/2012	Nojima et al.	D16/131
8,177,394	B2 *	5/2012	Butler et al.	362/253
D664,174	S *	7/2012	Tanaka	D16/131

* cited by examiner

Primary Examiner — Paula Greene

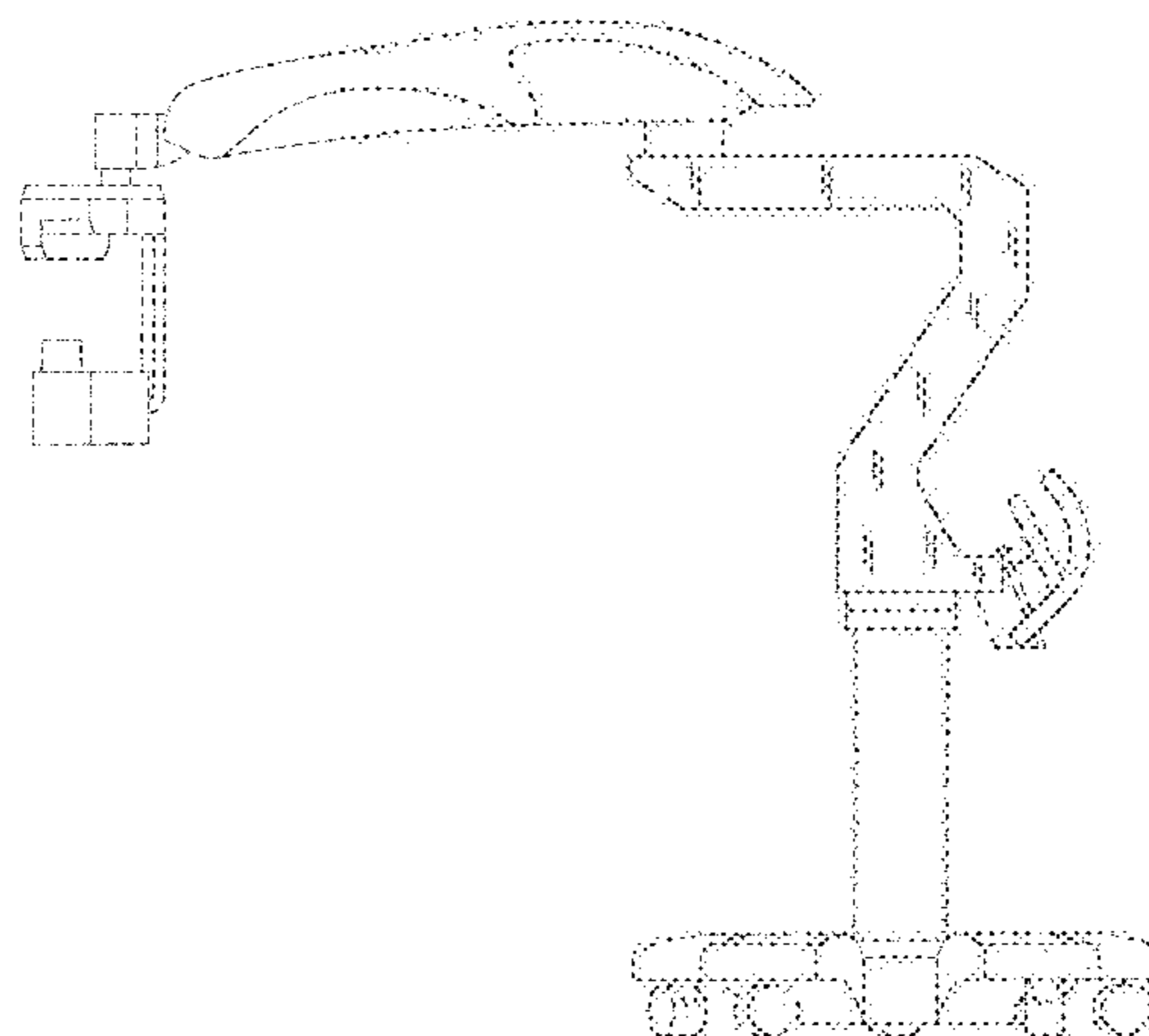
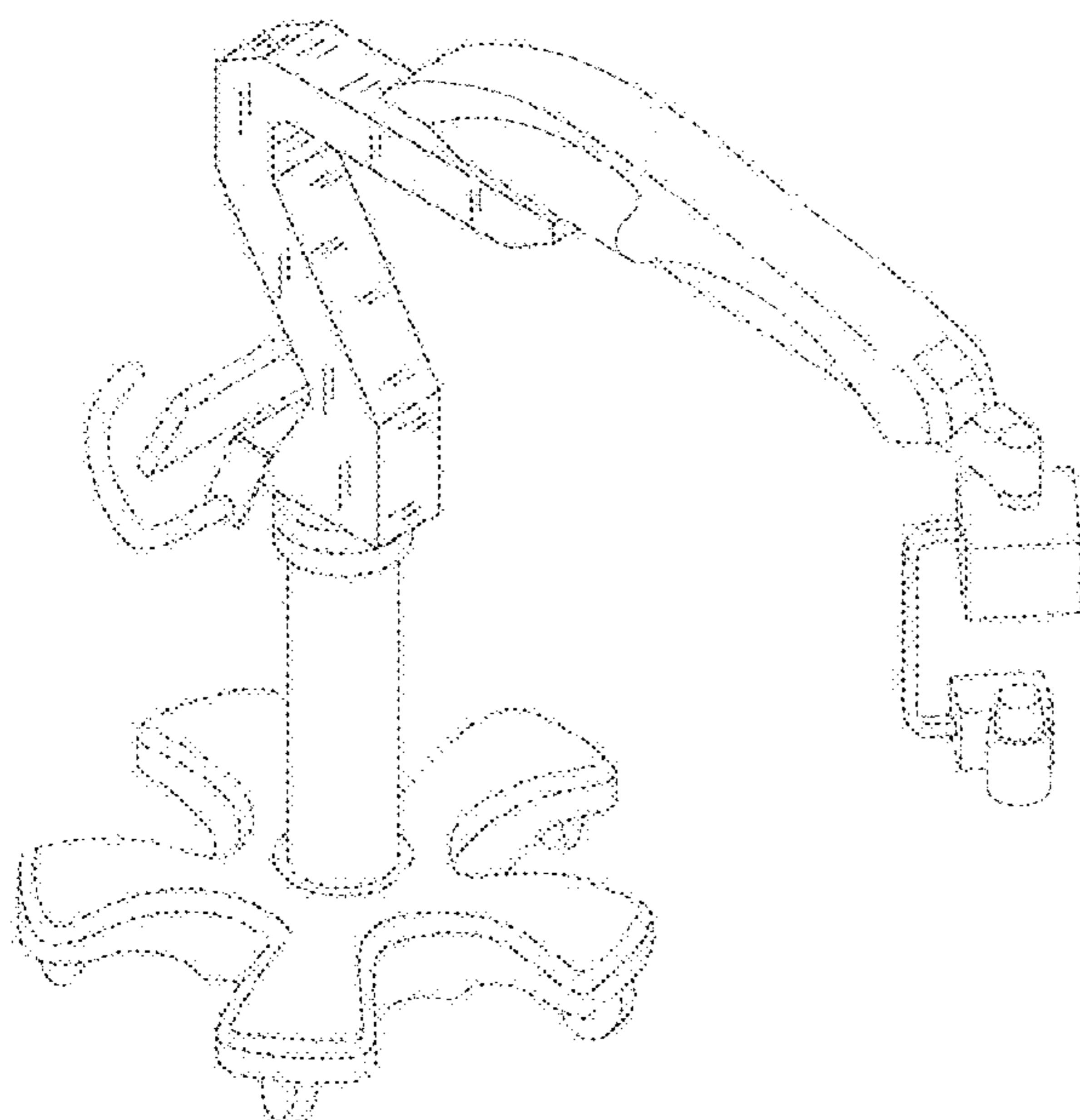
(57) **CLAIM**

The ornamental design for a floor stand with an angled arm for a microscope, as shown and described.

DESCRIPTION

FIG. 1 is a front perspective view of a floor stand with angled arm for microscope showing our new design; FIG. 2 is a rear perspective view thereof; FIG. 3 is a right side elevational view thereof; FIG. 4 is a left side elevational view thereof; FIG. 5 is a front elevational view thereof; FIG. 6 is a rear elevational view thereof; and, FIG. 7 is a top plan view thereof. The broken lines in the drawing are environmental structure that form no part of the design to be patented.

1 Claim, 6 Drawing Sheets



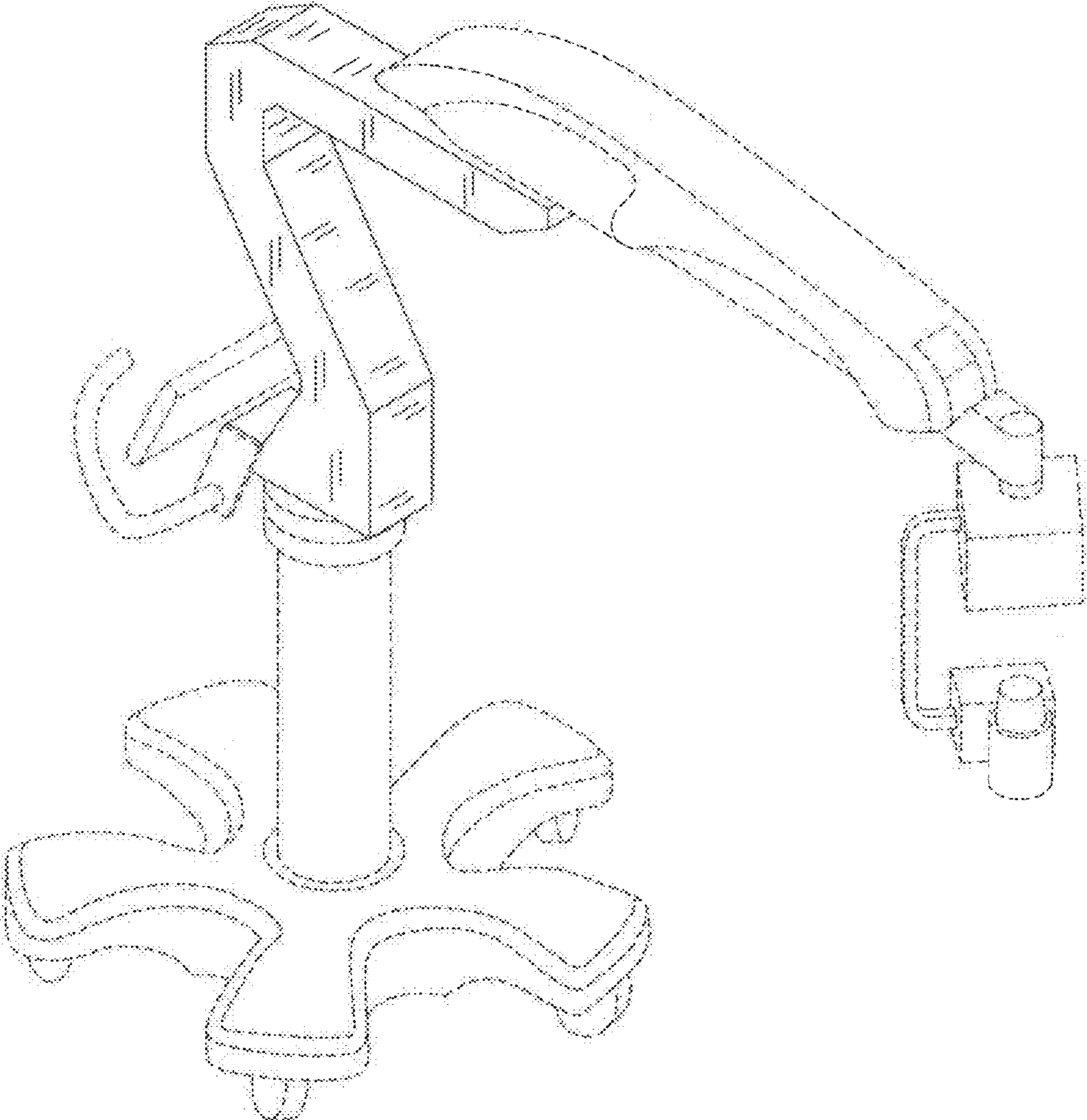


FIG. 1

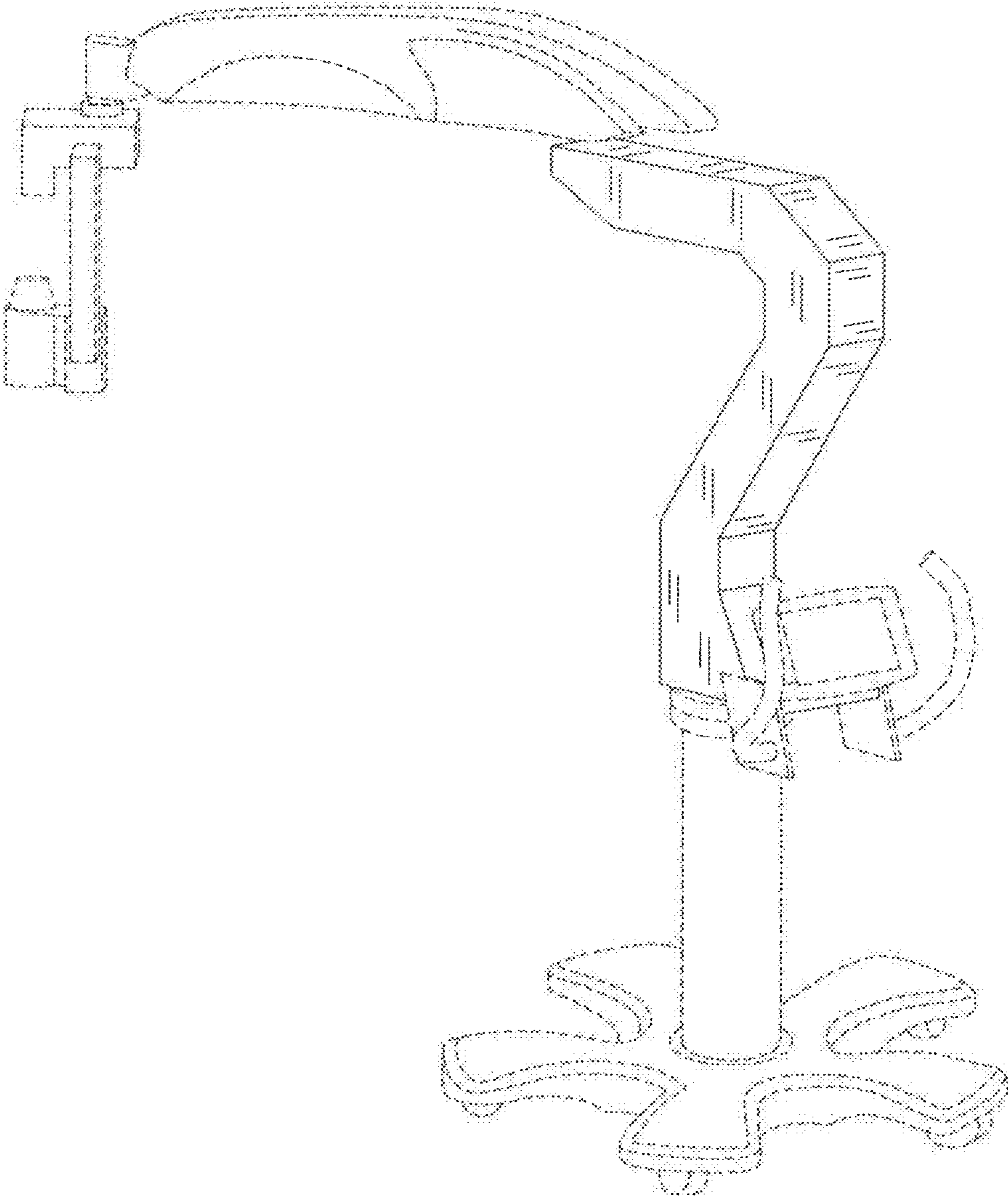


FIG. 2

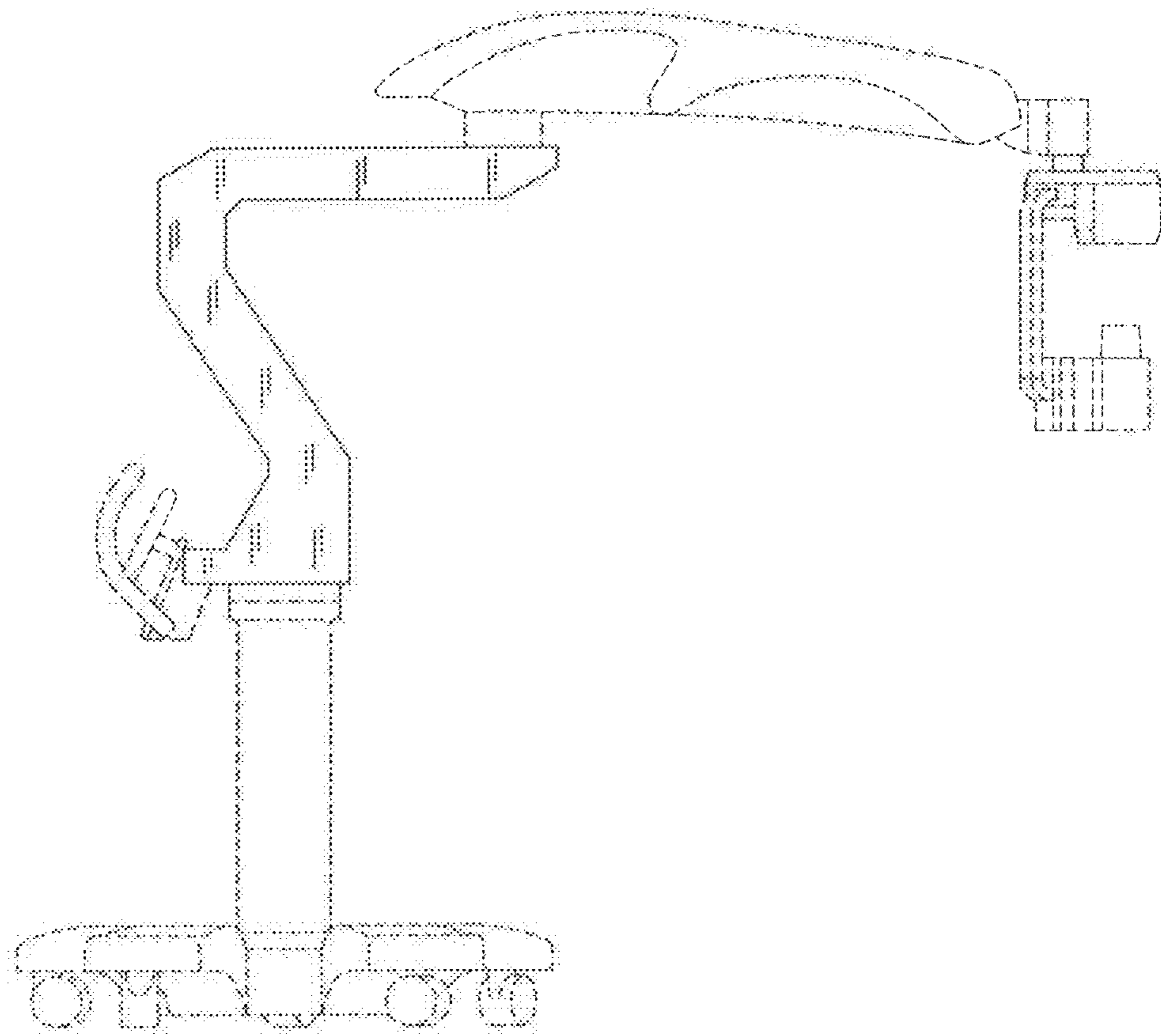


FIG. 3

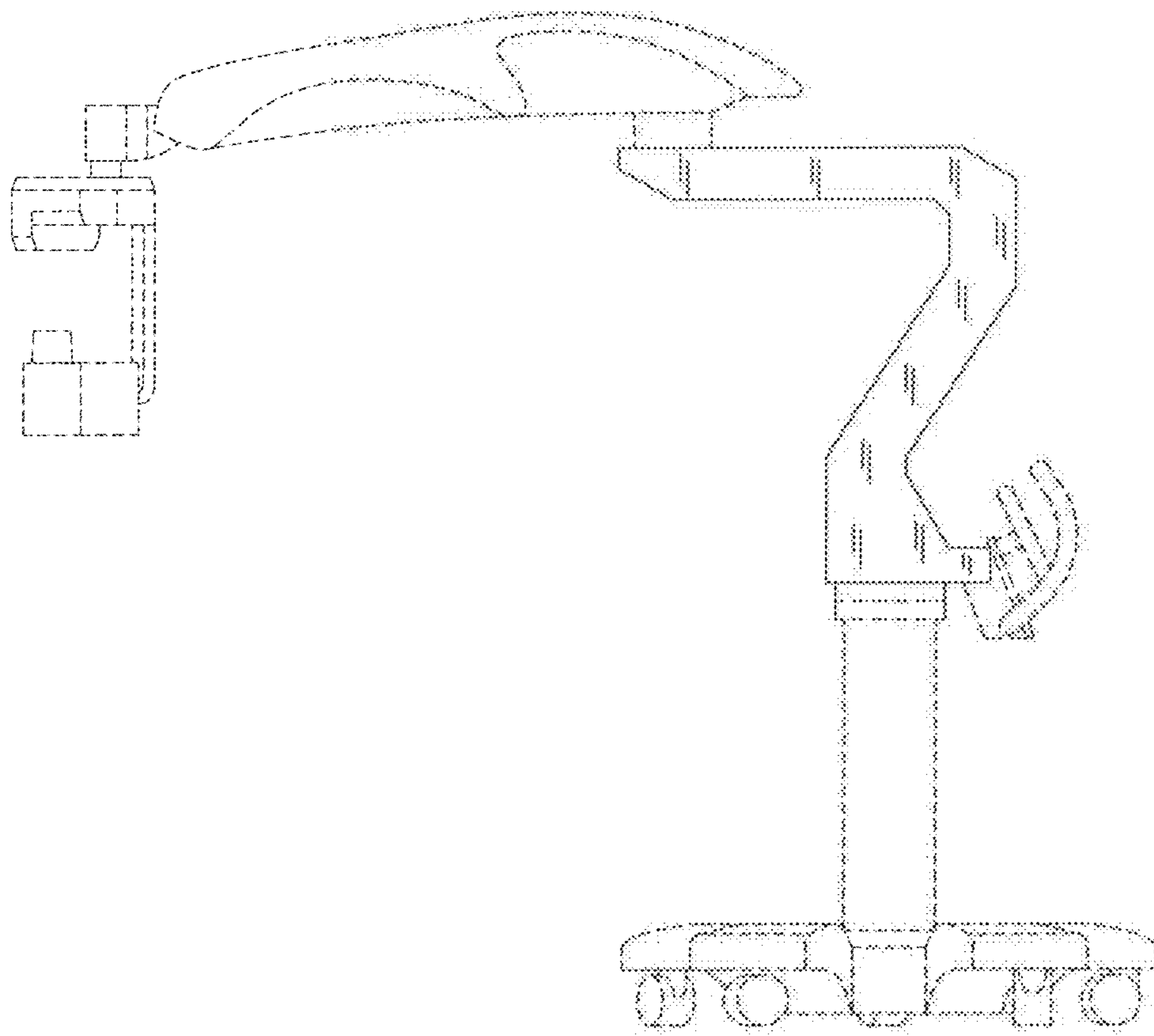


FIG. 4

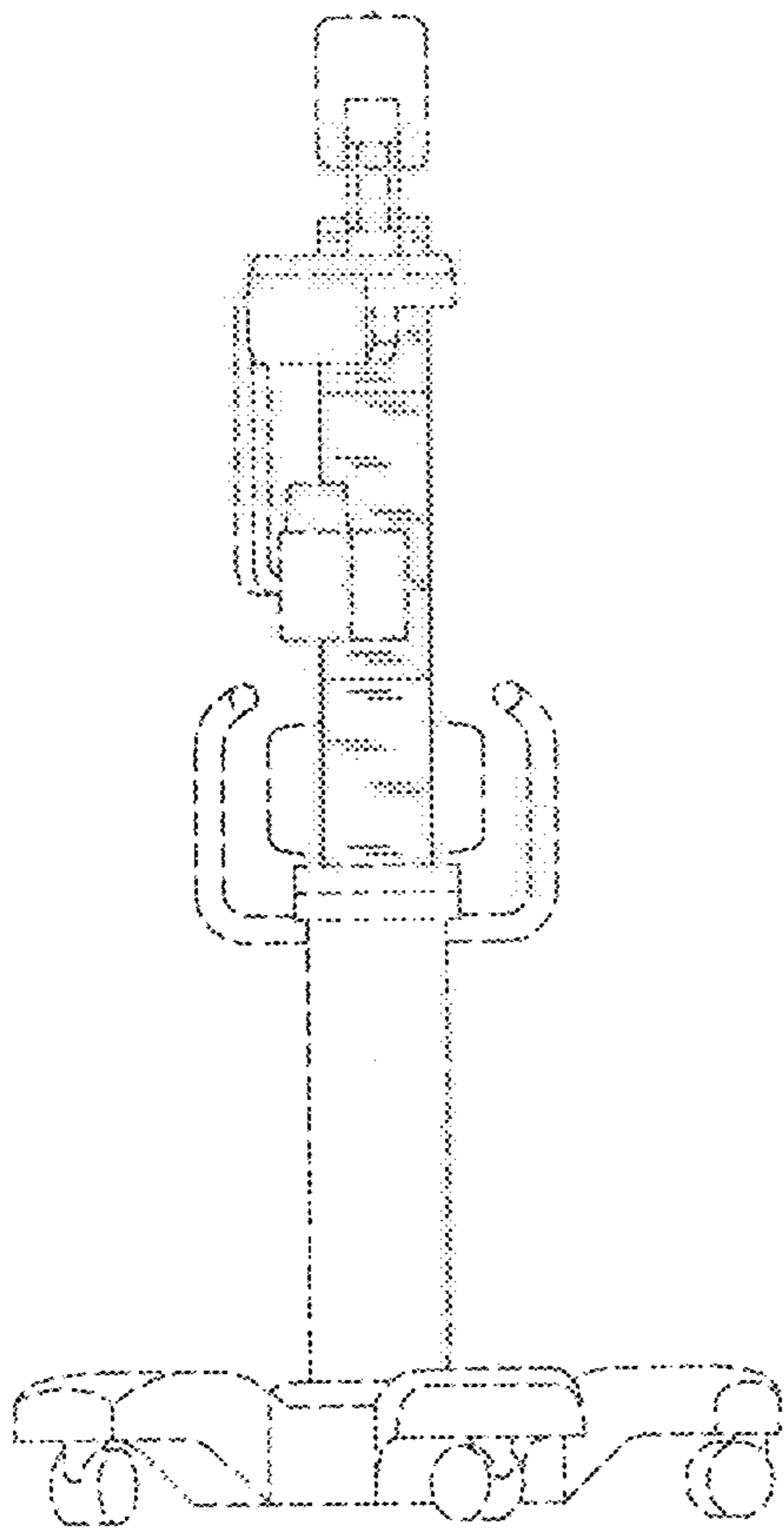


FIG. 5

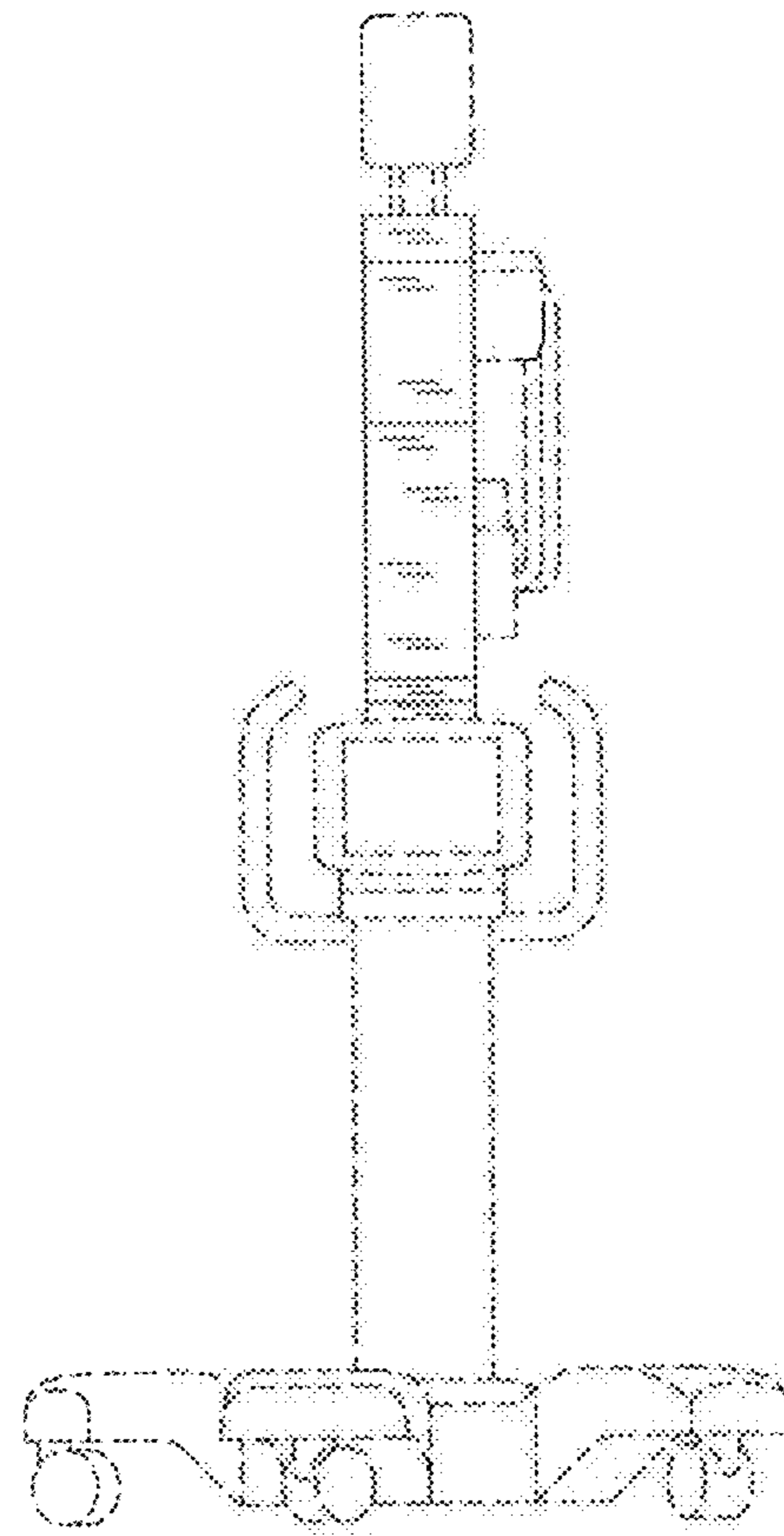


FIG. 6

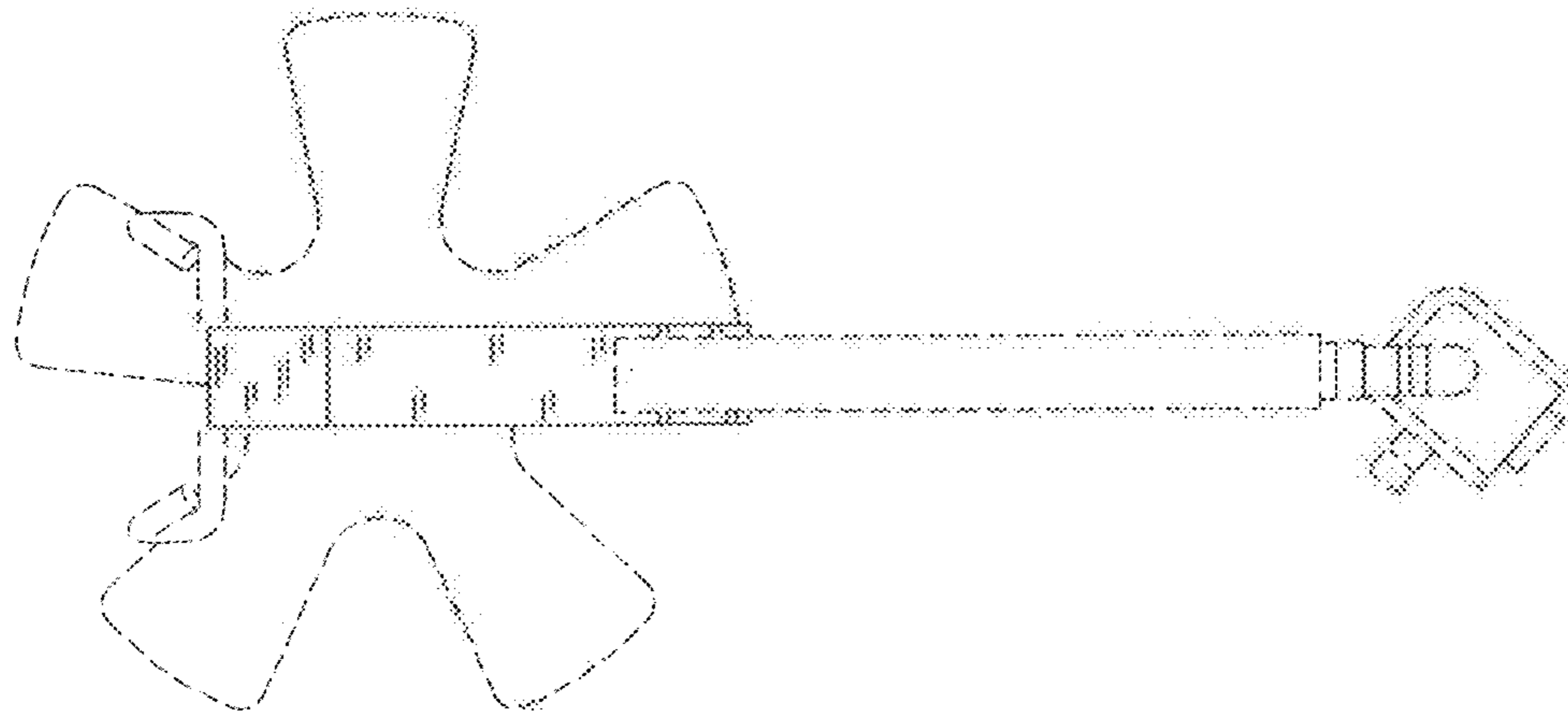


FIG. 7