



US00D685404S

(12) **United States Design Patent**
Andersson

(10) **Patent No.:** **US D685,404 S**

(45) **Date of Patent:** **** Jul. 2, 2013**

(54) **GEAR DRIVE**

(75) Inventor: **Jan Andersson**, Erlangen (DE)

(73) Assignee: **Siemens Aktiengesellschaft**, Tuebingen (DE)

(**) Term: **14 Years**

(21) Appl. No.: **29/403,883**

(22) Filed: **Oct. 12, 2011**

(30) **Foreign Application Priority Data**

Apr. 12, 2011 (EM) 001270516

(51) **LOC (9) Cl.** **15-09**

(52) **U.S. Cl.**
USPC **D15/148**

(58) **Field of Classification Search**
USPC D15/5, 148, 149, 199; 74/395, 464;
280/5.5-5.524; 427/249.19; 428/408; 475/83,
475/331-335, 344, 345, 901
See application file for complete search history.

(56) **References Cited**

U.S. PATENT DOCUMENTS

- D368,919 S * 4/1996 Lannoch D15/148
- D406,596 S * 3/1999 Ziegler et al. D15/148
- D410,659 S * 6/1999 Lannoch D15/148
- D414,790 S * 10/1999 Lannoch D15/148

- D416,922 S * 11/1999 Lannoch D15/148
- D417,229 S * 11/1999 Lannoch D15/148
- 6,432,022 B1 * 8/2002 Bayer 475/331
- D479,541 S * 9/2003 Lannoch D15/148
- D479,543 S * 9/2003 Lannoch D15/148
- D479,725 S * 9/2003 Lannoch D15/148
- D514,607 S * 2/2006 Wittenstein D15/148
- D527,739 S * 9/2006 De Luca et al. D15/5
- D529,059 S * 9/2006 Lin D15/148
- 7,182,709 B2 * 2/2007 Christ et al. 475/348
- D571,837 S * 6/2008 Lannoch D15/148
- D598,938 S * 8/2009 Mijno D15/148
- D613,770 S * 4/2010 Kitamura et al. D15/7
- D619,631 S * 7/2010 Otsuka D15/149
- D654,092 S * 2/2012 Lugli et al. D15/5
- 2004/0166986 A1 * 8/2004 Bayer et al. 475/331

* cited by examiner

Primary Examiner — Patricia Palasik

(74) *Attorney, Agent, or Firm* — Henry M. Feiereisen LLC

(57) **CLAIM**

The ornamental design for a gear drive, as shown and described.

DESCRIPTION

FIG. 1 is a front elevational view showing my new design;
FIG. 2 is a rear elevational view thereof;
FIG. 3 is a top plan view thereof;
FIG. 4 is a left side elevational view thereof;
FIG. 5 is a right side elevational view thereof; and,
FIG. 6 is a left side, front and top perspective view thereof.

1 Claim, 7 Drawing Sheets

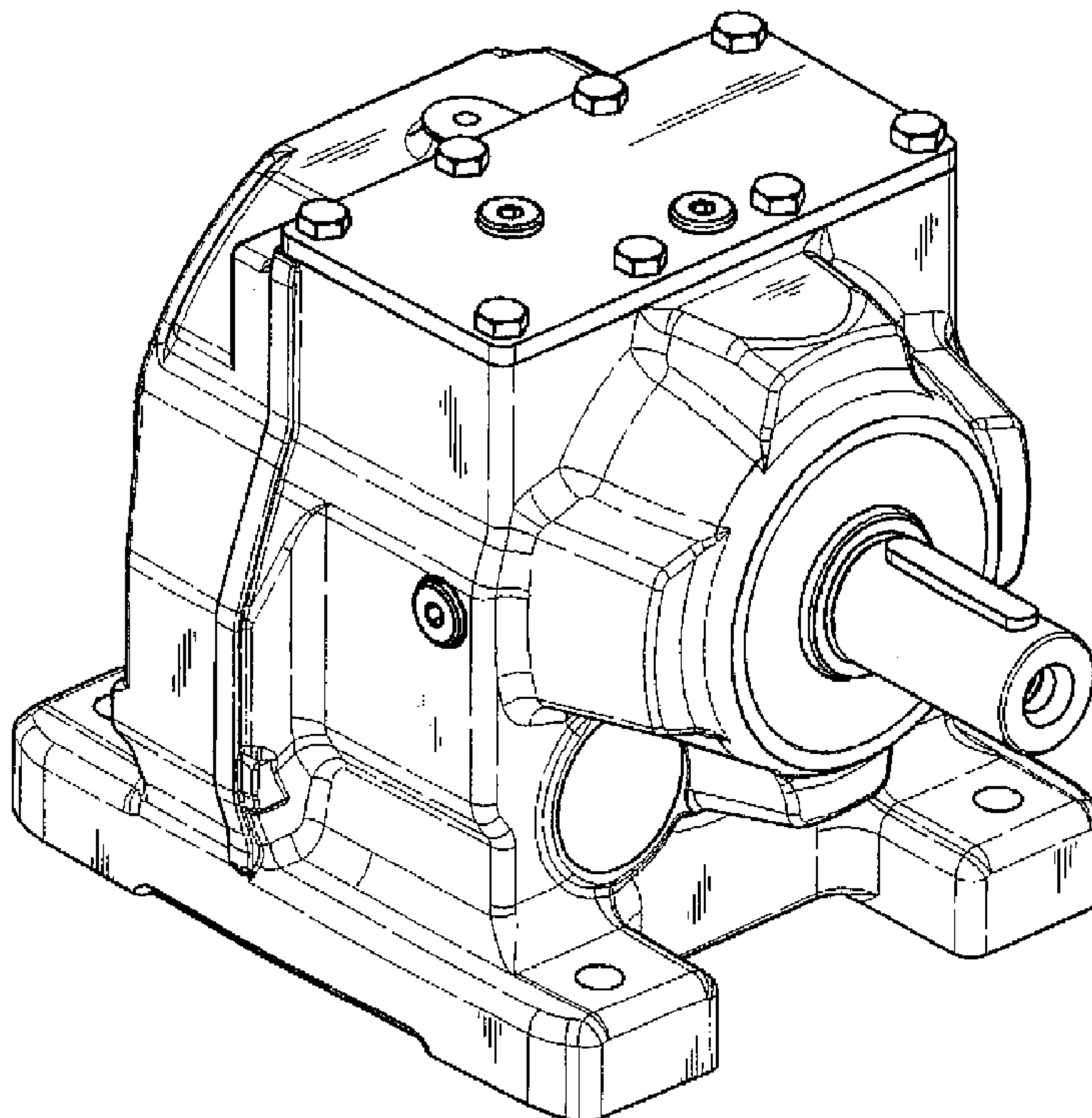


FIG.1

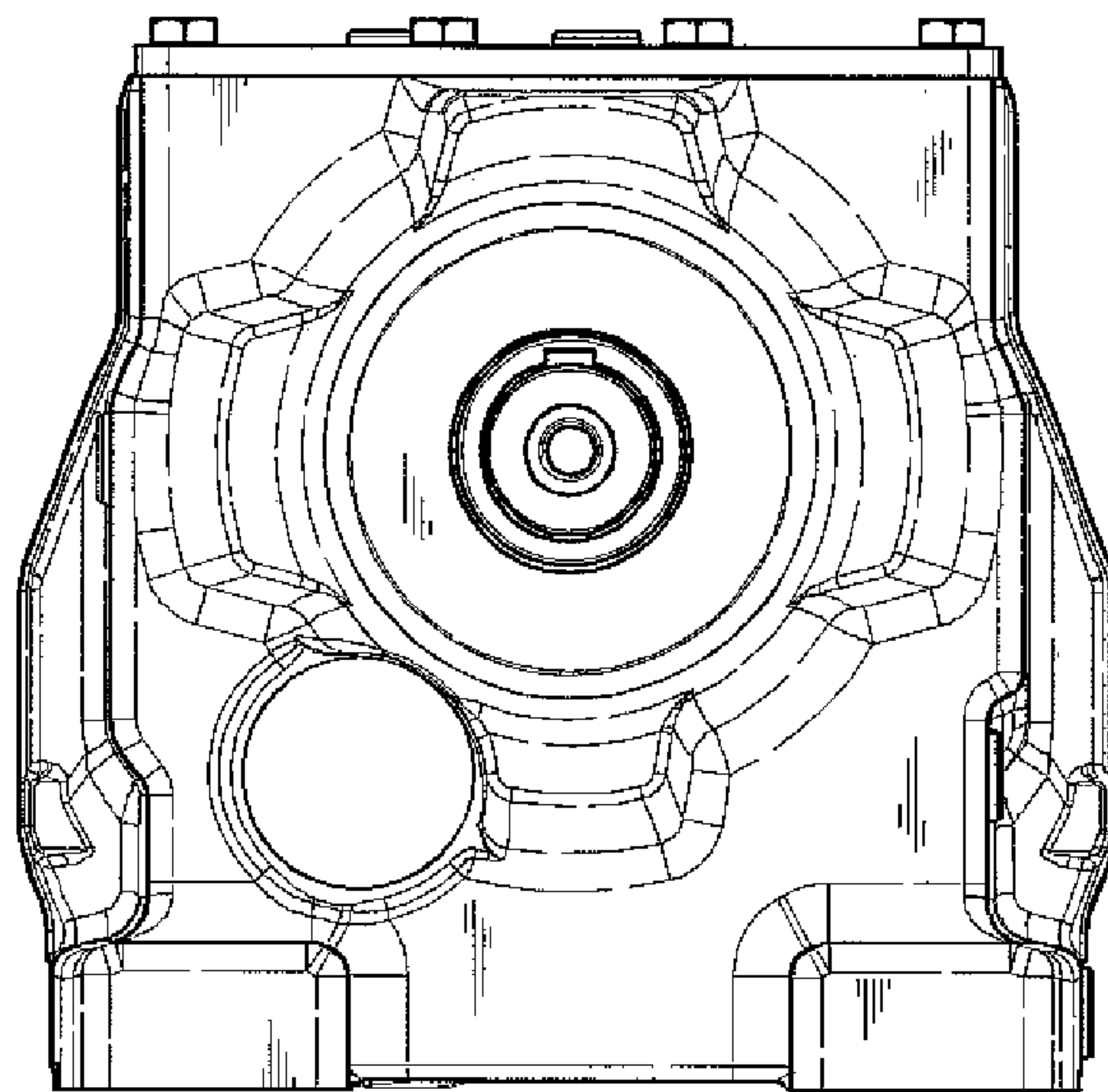


FIG 2

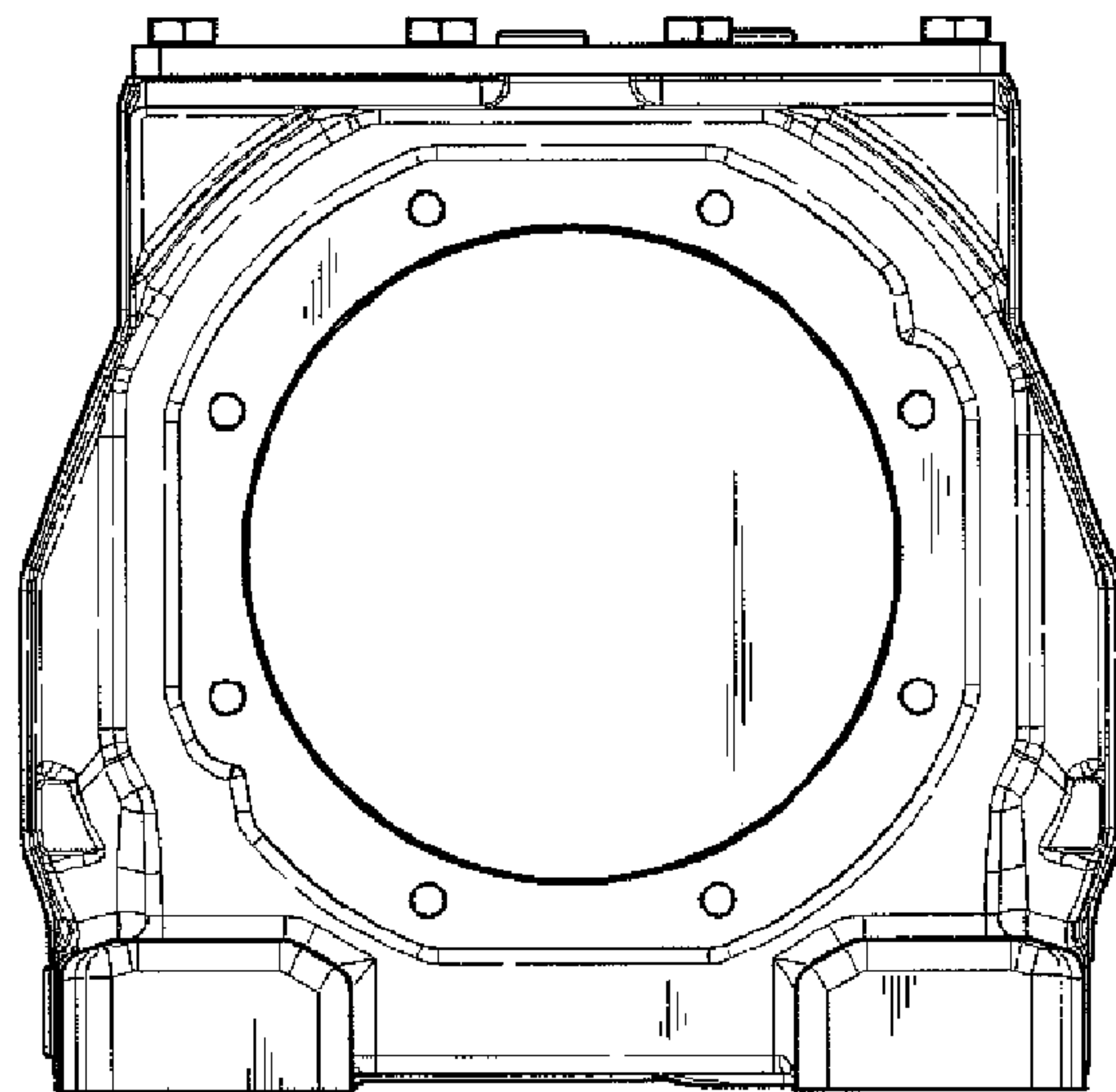


FIG 3

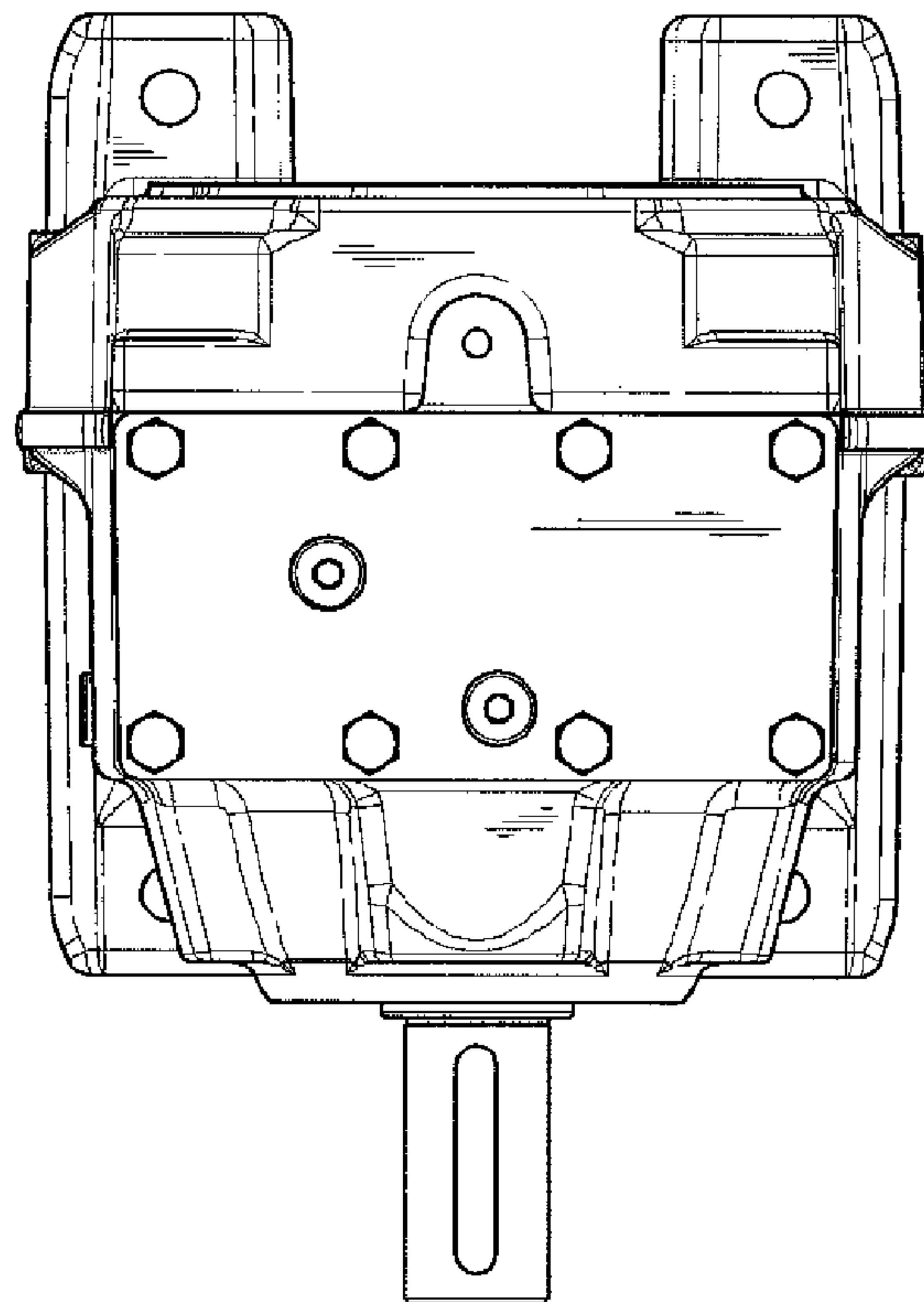


FIG. 4

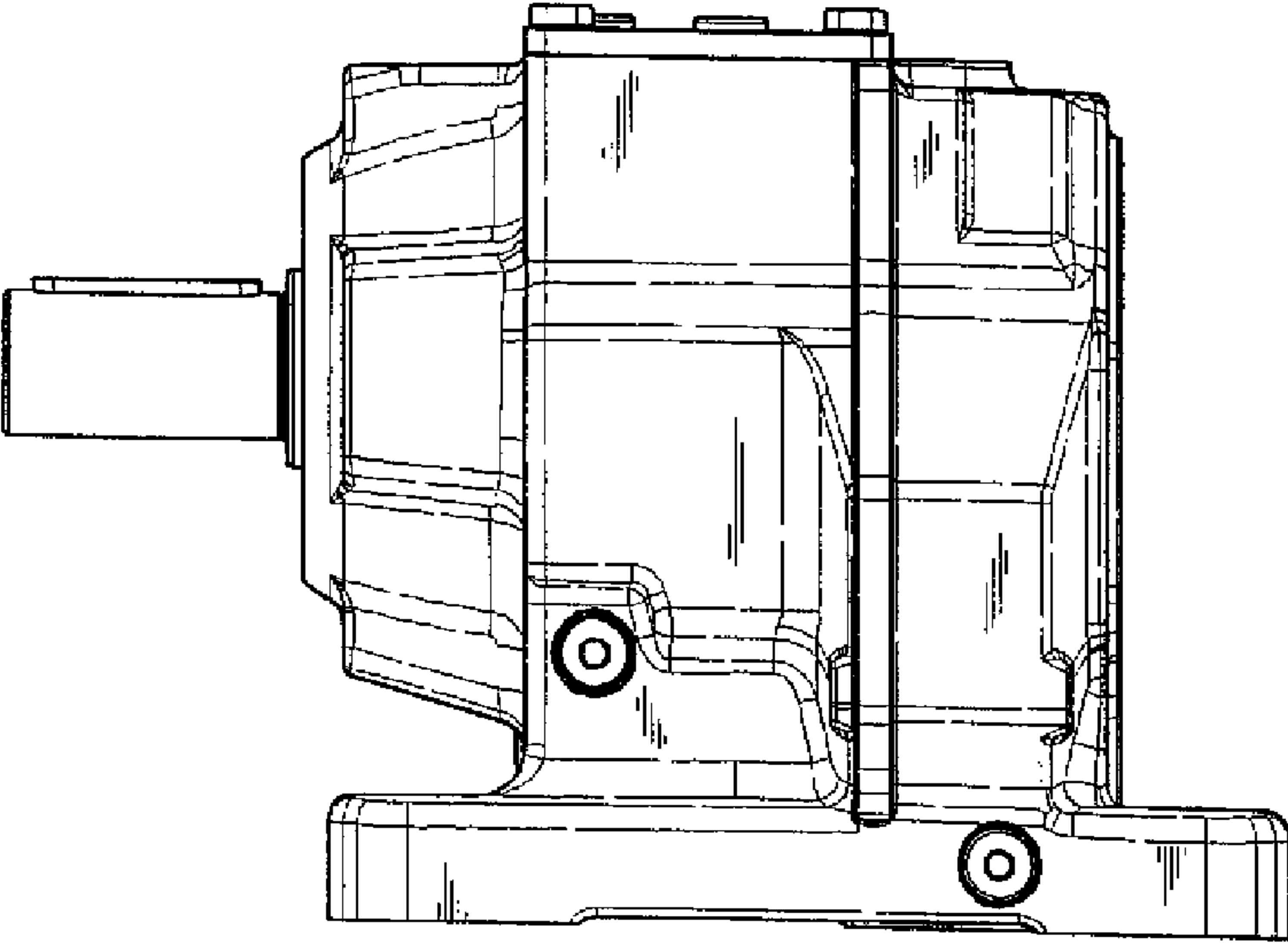


FIG. 5

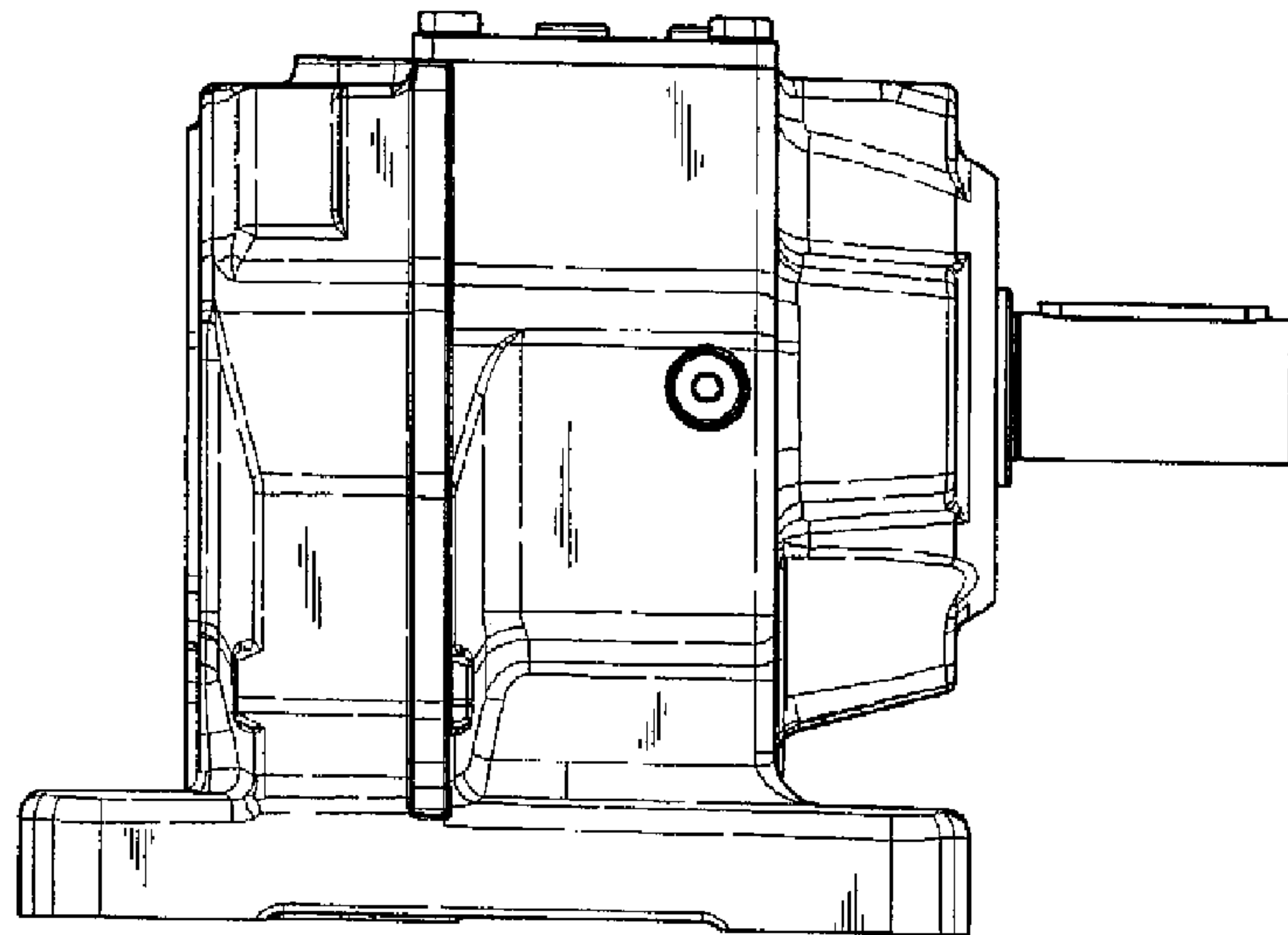


FIG. 6.

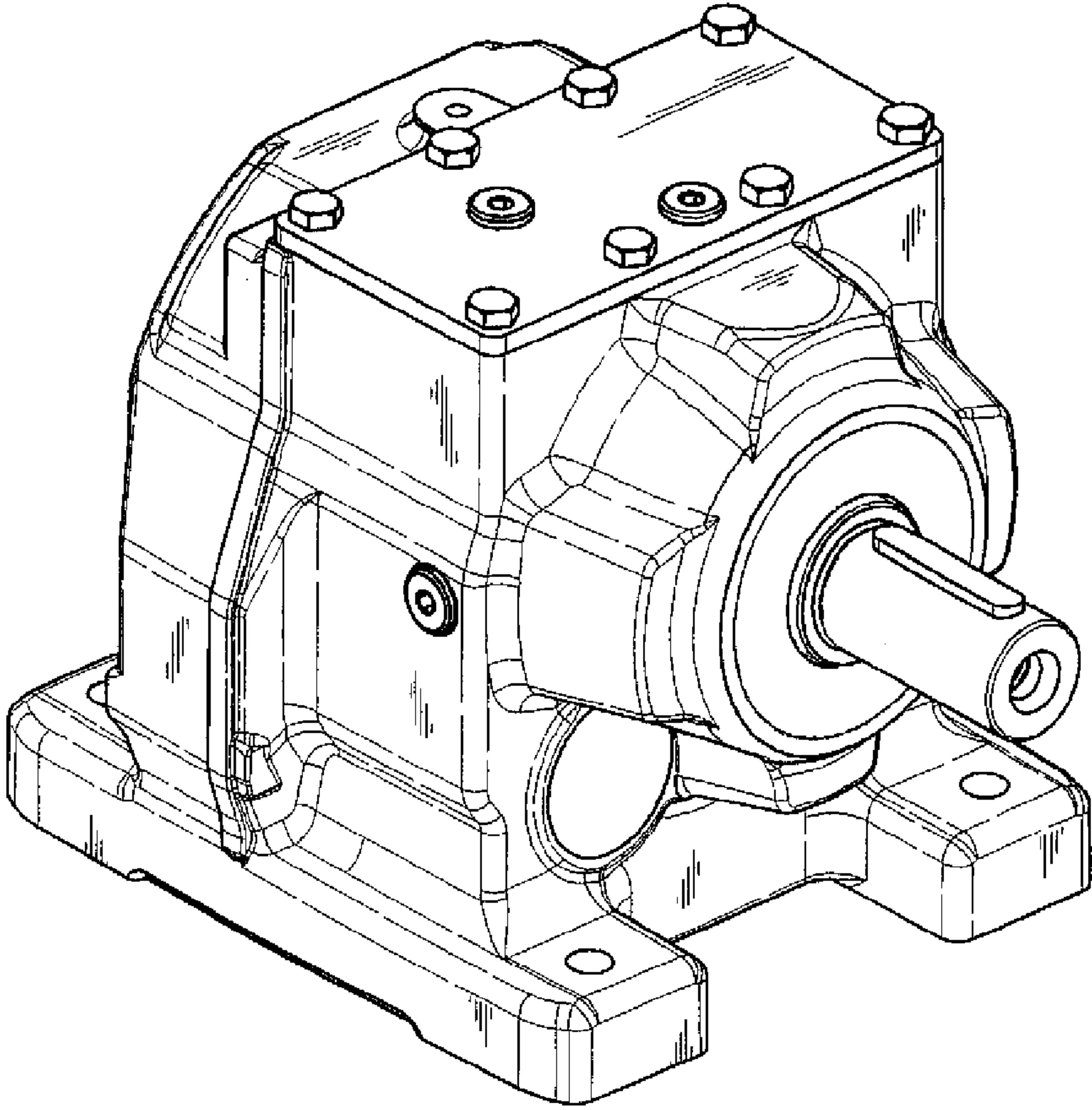


FIG 7

