



US00D685402S

(12) **United States Design Patent**
Cappuccio

(10) **Patent No.:** **US D685,402 S**

(45) **Date of Patent:** **** Jul. 2, 2013**

- (54) **POWER SAW DUST COLLECTOR**
- (71) Applicant: **Louis W. Cappuccio**, Hammonton, NJ
(US)
- (72) Inventor: **Louis W. Cappuccio**, Hammonton, NJ
(US)
- (**) Term: **14 Years**
- (21) Appl. No.: **29/443,009**
- (22) Filed: **Jan. 11, 2013**
- (51) **LOC (9) Cl.** **15-09**
- (52) **U.S. Cl.**
USPC **D15/133; D15/138**
- (58) **Field of Classification Search**
USPC D8/61-71, 90, 363; D15/124-126,
D15/133, 138-140; 30/124; 83/24, 471.3,
83/665, 859; 125/13.01; 144/252.1; 451/41,
451/47, 56, 324, 342, 347-349, 357-360,
451/364, 388, 406, 408, 420-423, 451, 456,
451/547-549
See application file for complete search history.

- D579,096 S * 10/2008 Guzorek D23/370
- D589,318 S * 3/2009 Meyer D8/70
- D614,678 S * 4/2010 Jorgensen et al. D15/138
- 2005/0037699 A1 * 2/2005 Park 451/344
- 2011/0079207 A1 * 4/2011 Guth 125/13.01

* cited by examiner

Primary Examiner — Patricia Palasik
(74) *Attorney, Agent, or Firm* — Stuart M. Goldstein

(57) **CLAIM**
The ornamental design for a power saw dust collector, as shown and described.

DESCRIPTION

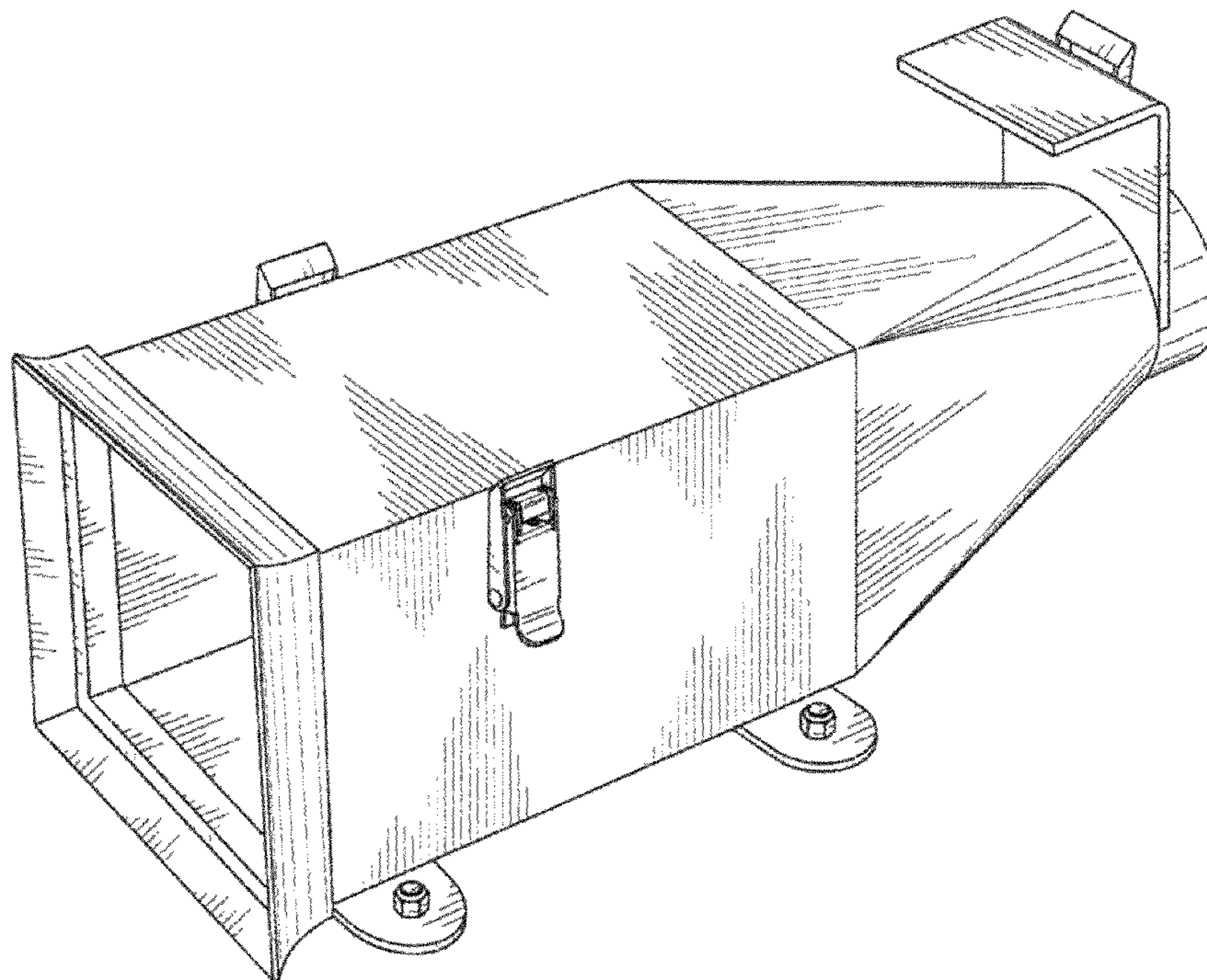
FIG. 1 is a perspective view of the power saw dust collector of the present invention.
 FIG. 2 is an elevation view of the power saw dust collector of the present invention.
 FIG. 3 is an opposite side elevation view of the power saw dust collector of the present invention.
 FIG. 4 is a front end view of the power saw dust collector of the present invention.
 FIG. 5 is a rear end view of the power saw dust collector of the present invention.
 FIG. 6 is a top plan view of the power saw dust collector of the present invention.
 FIG. 7 is a bottom plan view of the power saw dust collector of the present invention; and,
 FIG. 8 is an elevation view of the power saw dust collector of the present invention in use condition. The broken line showing of the power saw is included for the purpose of illustrating environmental conditions and forms no part of the claimed design.

(56) **References Cited**

U.S. PATENT DOCUMENTS

- 3,401,724 A * 9/1968 Kreitz 83/471.3
- 3,525,183 A * 8/1970 Gargrave 451/453
- 3,882,598 A * 5/1975 Earle et al. 30/390
- D360,460 S * 7/1995 Perrault et al. D23/364
- D376,526 S * 12/1996 Hepburn D8/70
- D499,625 S * 12/2004 Stirm D8/70
- D546,156 S * 7/2007 Aglassinger et al. D8/70

1 Claim, 5 Drawing Sheets



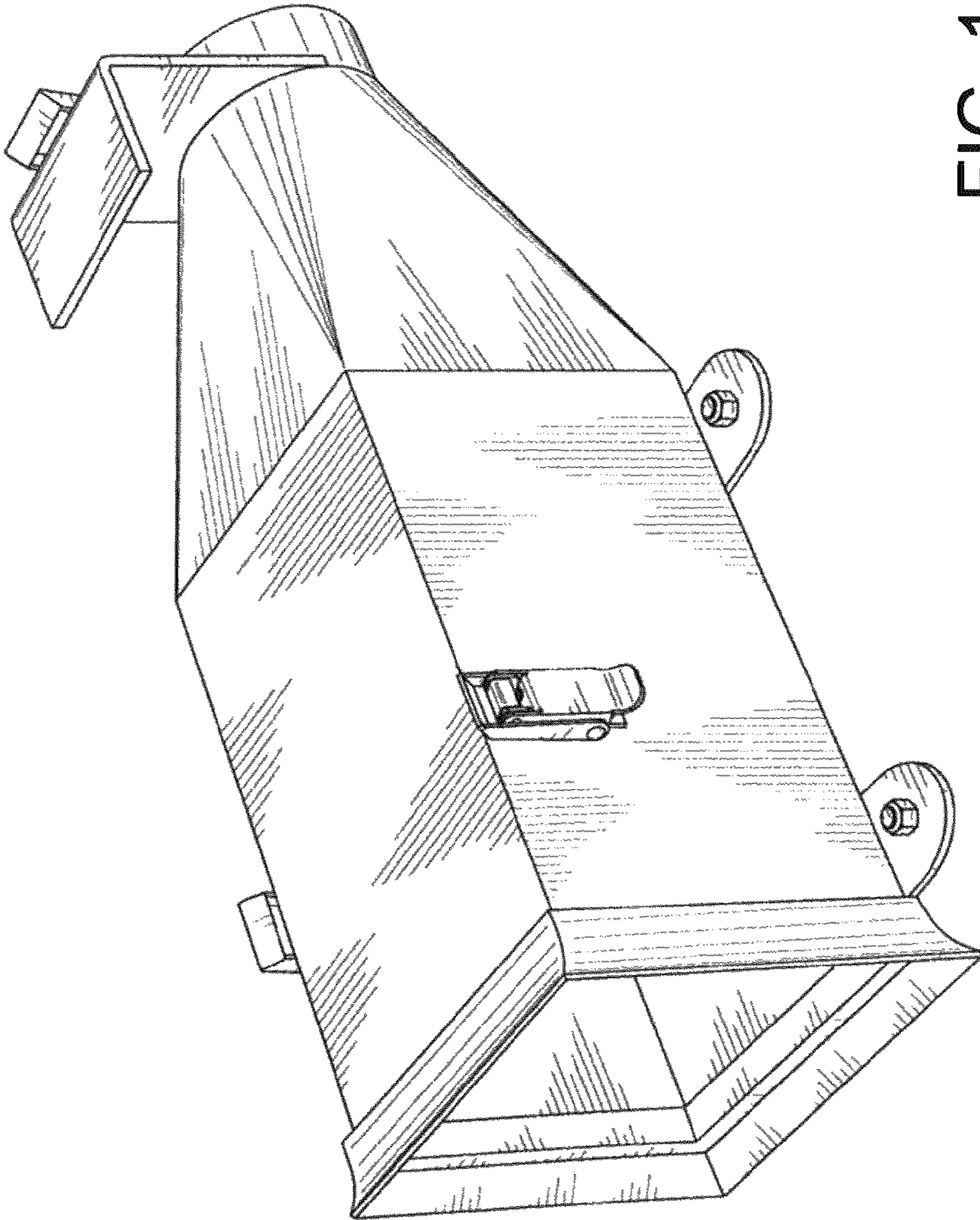


FIG. 1

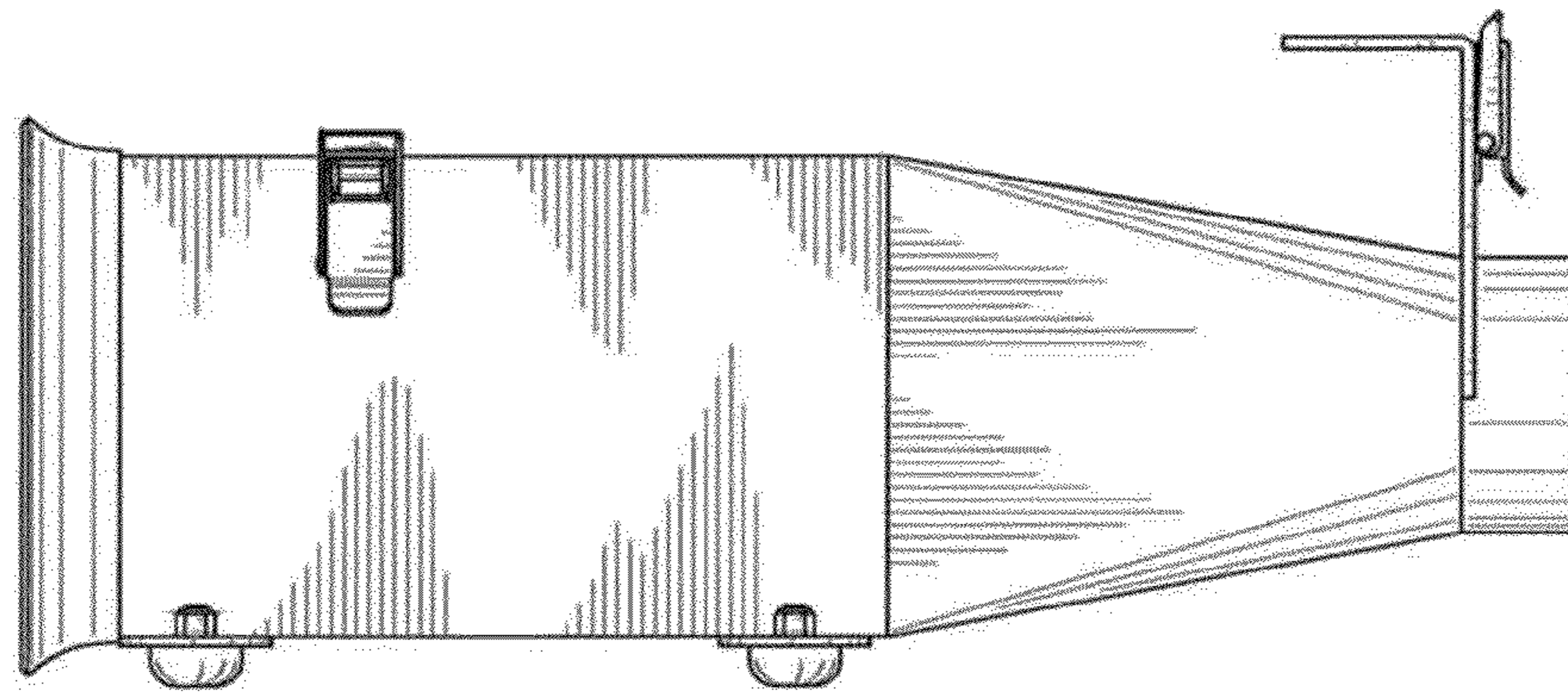


FIG. 2

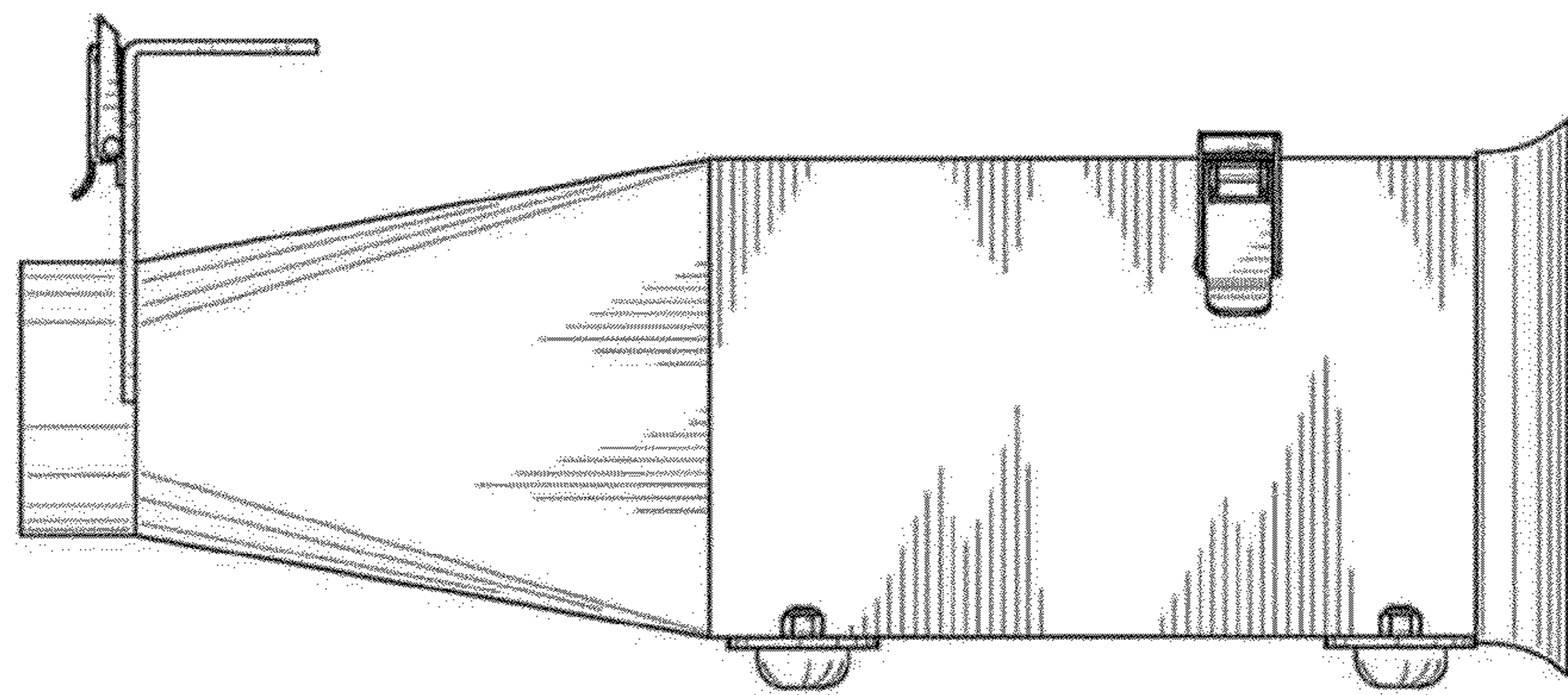


FIG. 3

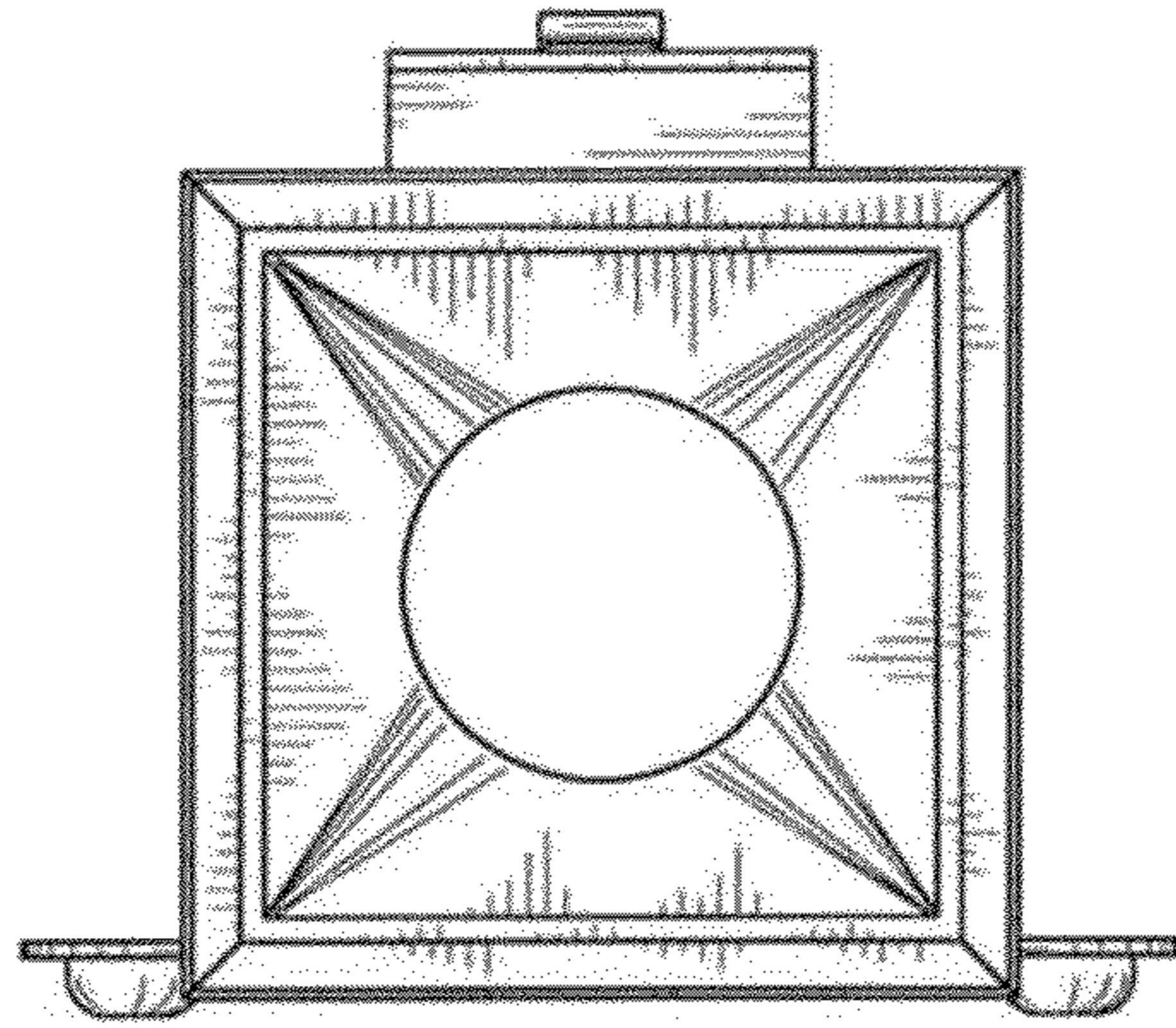


FIG. 4

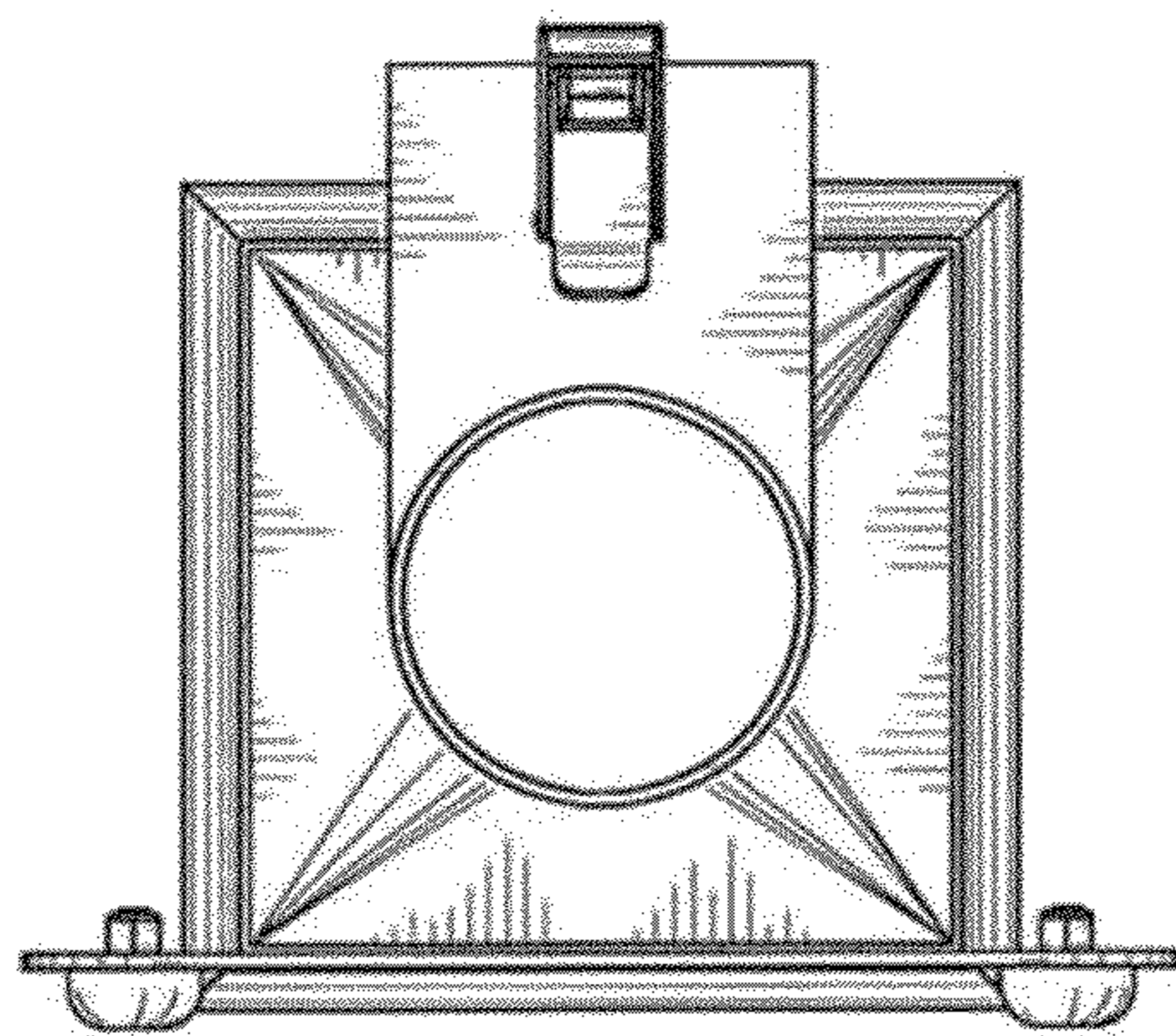


FIG. 5

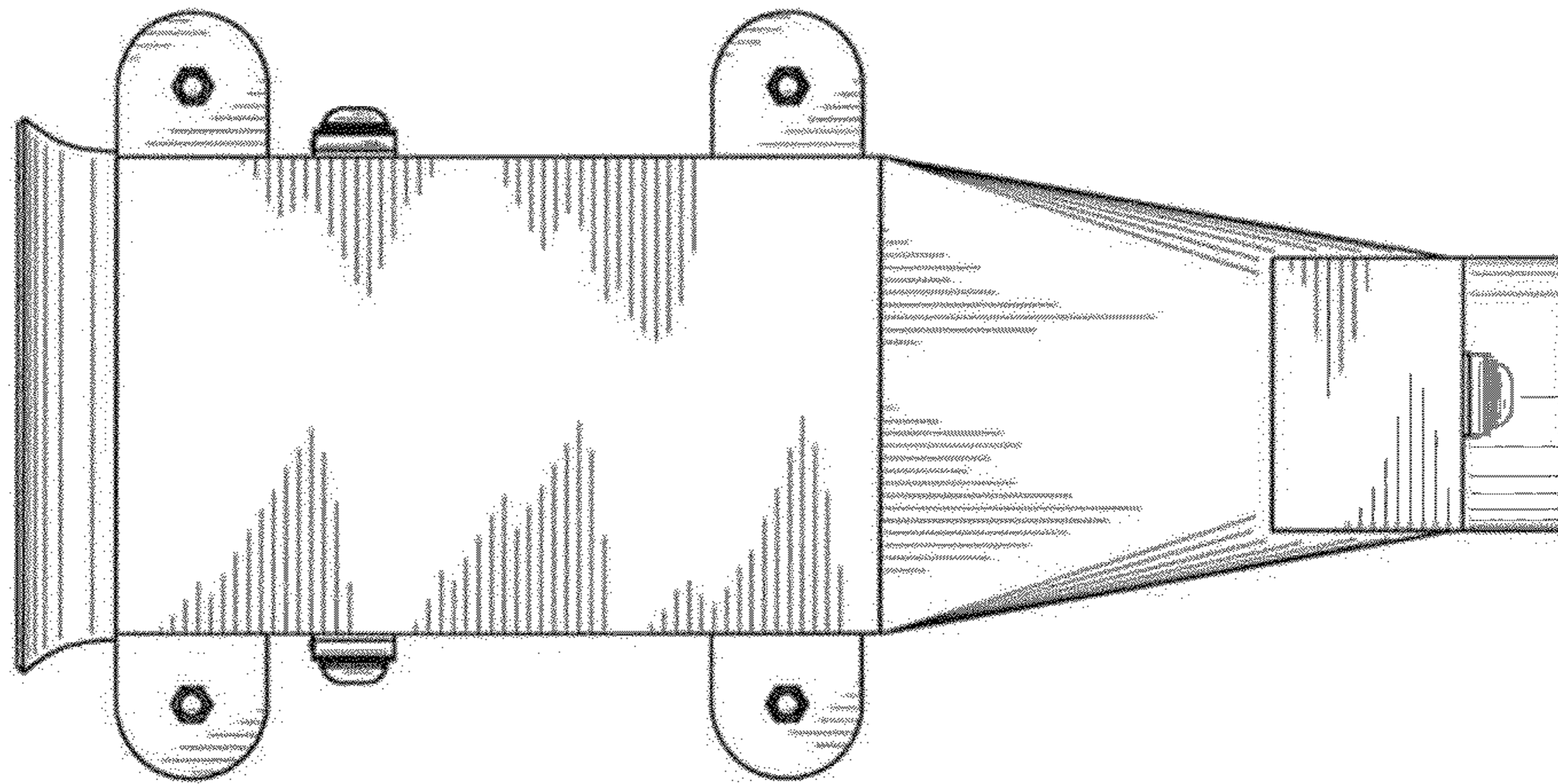


FIG. 6

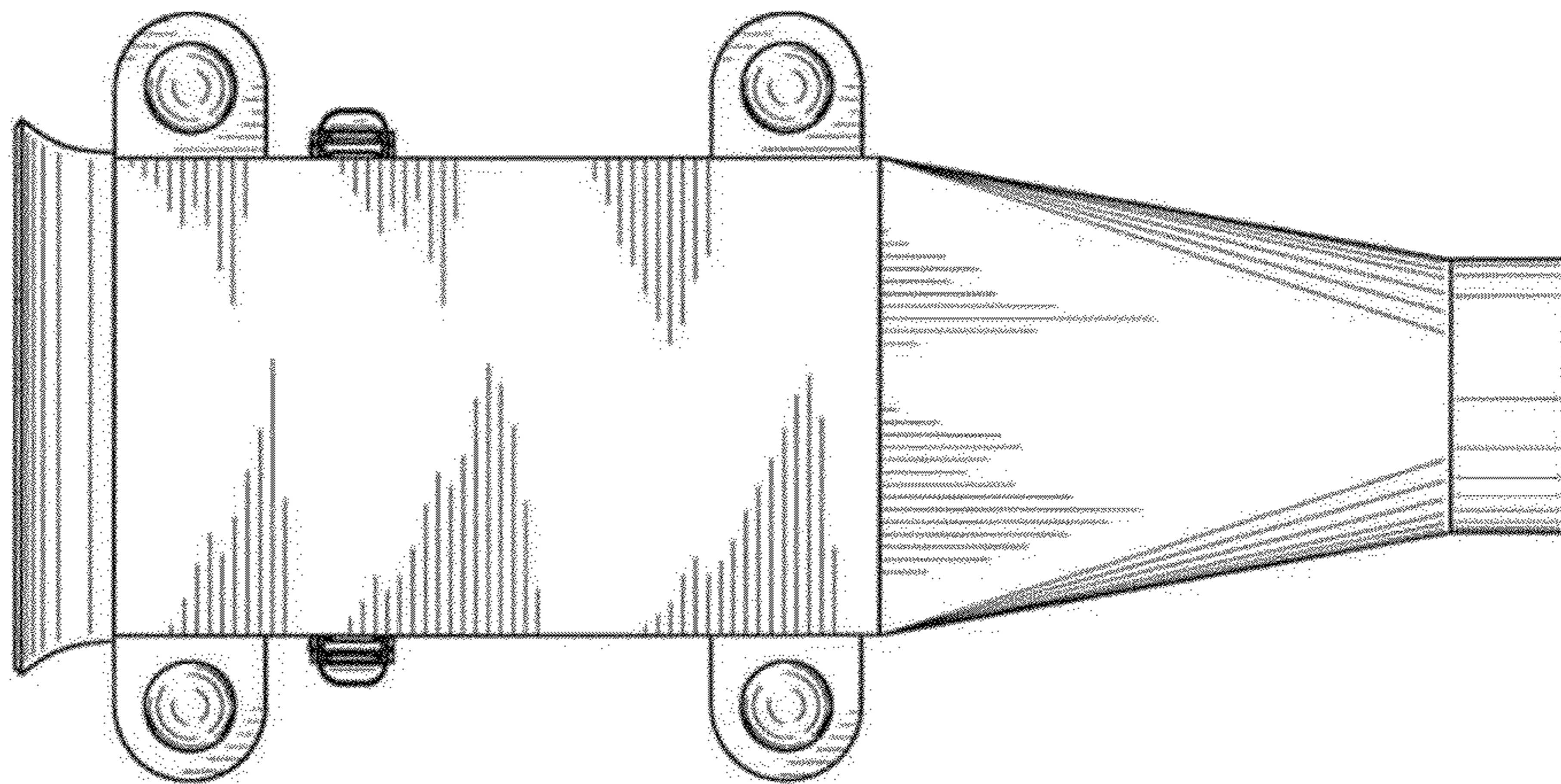


FIG. 7

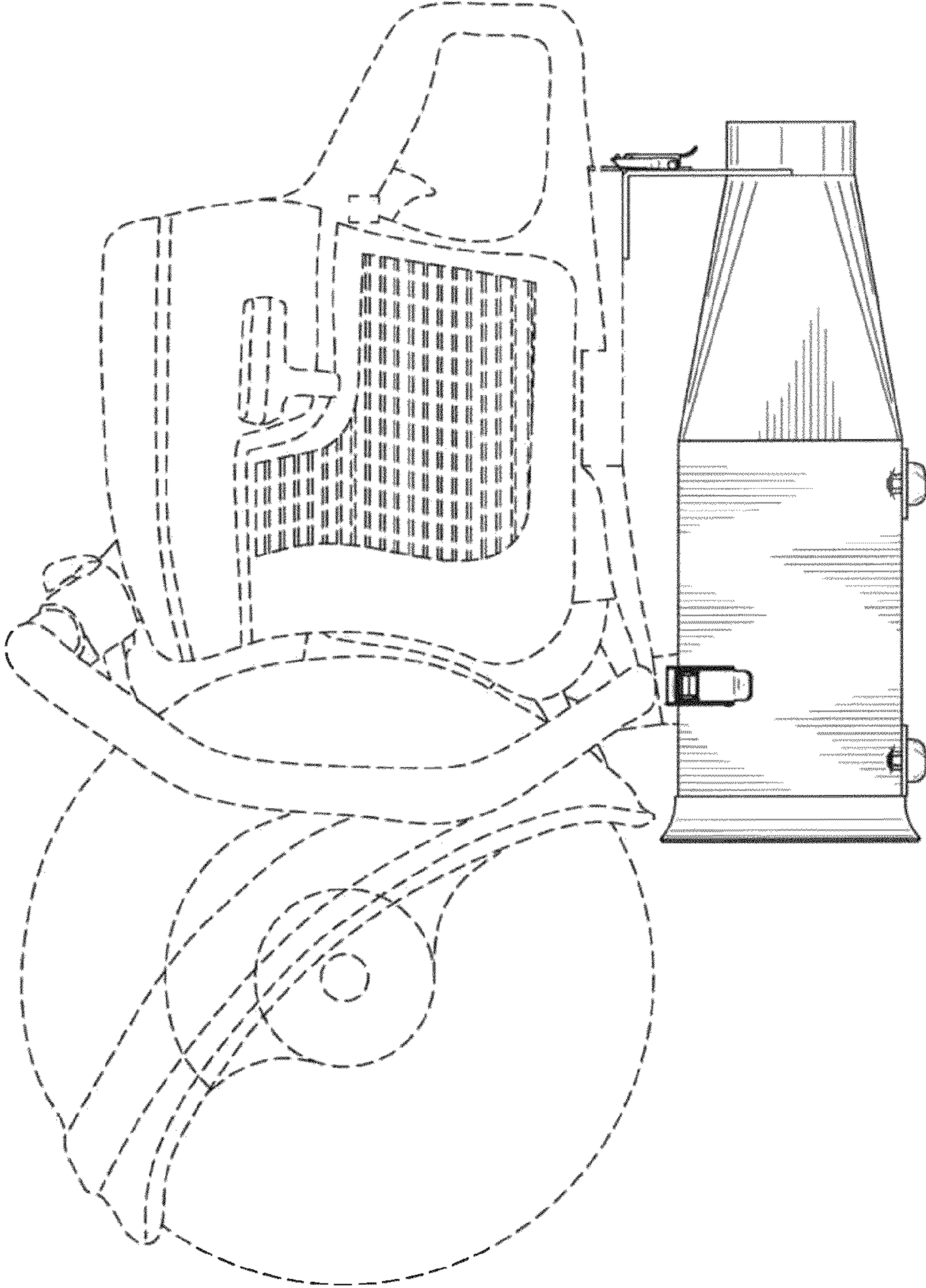


FIG. 8