



US00D685401S

(12) **United States Design Patent**
Schmitz et al.

(10) **Patent No.:** **US D685,401 S**
(45) **Date of Patent:** **** Jul. 2, 2013**

(54) **SWING HAMMER FOR PARTICULATE SIZE REDUCTION SYSTEM**

(75) Inventors: **William Schmitz**, Clymer, NY (US);
Daniel P. Smith, Spencer, MA (US);
Craig A. Penterson, Sutton, MA (US)

(73) Assignee: **Riley Power Inc.**, Worcester, MA (US)

(**) Term: **14 Years**

(21) Appl. No.: **29/407,864**

(22) Filed: **Dec. 2, 2011**

Related U.S. Application Data

(60) Division of application No. 29/386,534, filed on Mar. 2, 2011, which is a division of application No. 29/377,229, filed on Oct. 19, 2010, now Pat. No. Des. 637,632, which is a continuation of application No. 12/383,653, filed on Mar. 27, 2009, now Pat. No. 7,837,138, which is a continuation-in-part of application No. 11/744,081, filed on May 3, 2007, now Pat. No. 7,516,912.

(51) **LOC (9) Cl.** **15-09**

(52) **U.S. Cl.**
USPC **D15/123**

(58) **Field of Classification Search**
USPC D15/123, 124, 125, 126, 131; 241/73,
241/74, 189.1, 193-197, 294, 300
See application file for complete search history.

(56) **References Cited**

U.S. PATENT DOCUMENTS

648,791 A * 5/1900 Raynal 83/115
1,628,609 A 5/1927 Newhouse

(Continued)

Primary Examiner — Patricia Palasik

(74) *Attorney, Agent, or Firm* — Edwards Wildman Palmer LLP; Joshua L. Jones; Alicia J. Esposito

(57) **CLAIM**

The ornamental design for a swing hammer for particulate size reduction system, as shown and described in the attached specification.

DESCRIPTION

FIG. 1 is a perspective view of a swing hammer for a particulate size reduction system.

FIG. 2 is a plan view of a the swing hammer of FIG. 1.

FIG. 3 is a side elevation view of the swing hammer of FIG. 1.

FIG. 4 is a side elevation view of the swing hammer of FIG. 1, showing the side opposite that shown in FIG. 3.

FIG. 5 is an end elevation view of the swing hammer of FIG. 1, as viewed from the right as oriented in FIG. 2.

FIG. 6 is an end elevation view of the swing hammer of FIG. 1, showing the end opposite that shown in FIG. 5.

FIG. 7 is a perspective view of another representative embodiment of a swing hammer for a particulate size reduction system according to a second representative embodiment of the present invention.

FIG. 8 is a plan view of the swing hammer of FIG. 7.

FIG. 9 is a side elevation view of the swing hammer of FIG. 7.

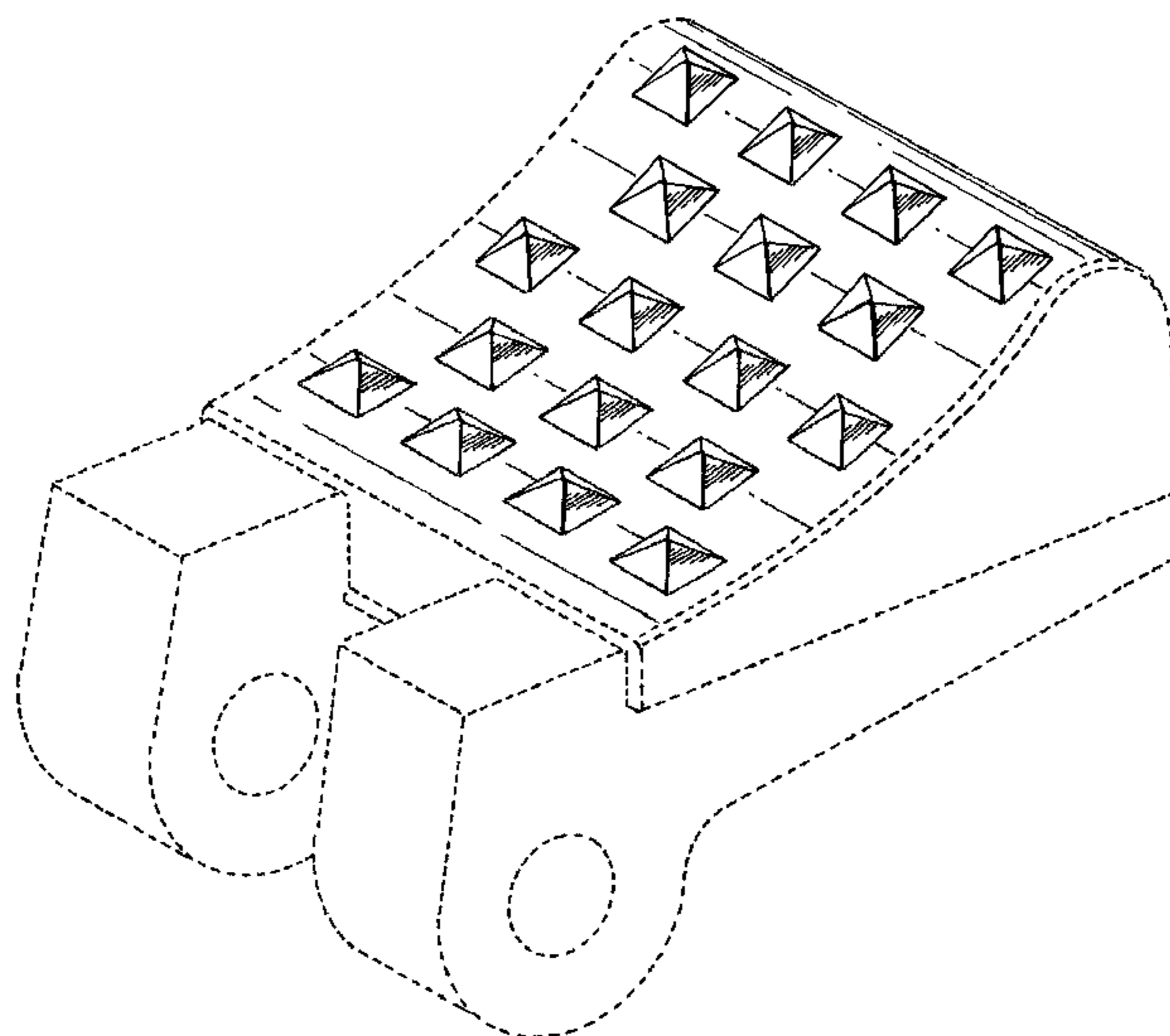
FIG. 10 is a side elevation view of the swing hammer of FIG. 7, showing the side opposite that shown in FIG. 9.

FIG. 11 is an end elevation view of the swing hammer of FIG. 7, as viewed from the right as oriented in FIG. 8; and,

FIG. 12 is an end elevation view of the swing hammer of FIG. 7, showing the end opposite that shown in FIG. 11.

The broken lines in the drawings depict unclaimed environmental subject matter.

1 Claim, 8 Drawing Sheets



US D685,401 S

Page 2

U.S. PATENT DOCUMENTS

| | | | | | | | | | | | |
|-----------|-----|---------|-----------------|-------|---------|--------------|------|---------|--------------------|-------|------------|
| 2,015,581 | A * | 9/1935 | Armour | | 241/195 | 6,796,212 | B2 * | 9/2004 | Maekawa et al. | | 83/886 |
| 2,341,105 | A * | 2/1944 | Kueneman et al. | | 241/266 | 6,971,598 | B2 * | 12/2005 | Schillinger et al. | | 241/194 |
| 2,531,597 | A * | 11/1950 | Anderson | | 241/197 | D552,638 | S * | 10/2007 | Willibald | | D15/123 |
| 2,625,332 | A | 1/1953 | Rogers et al. | | | 7,377,459 | B2 | 5/2008 | Potts | | |
| 2,628,038 | A | 2/1953 | Rogers et al. | | | D574,400 | S * | 8/2008 | Willibald | | D15/123 |
| 2,637,502 | A * | 5/1953 | Bond | | 241/194 | 7,494,080 | B2 | 2/2009 | Knotts | | |
| 2,639,863 | A | 5/1953 | Rogers | | | 7,516,912 | B2 * | 4/2009 | Schmitz et al. | | 241/194 |
| 3,050,018 | A | 8/1962 | Pearson | | | D616,286 | S * | 5/2010 | Foresman | | D8/354 |
| 3,092,337 | A | 6/1963 | Patterson | | | 7,837,138 | B2 | 11/2010 | Schmitz et al. | | |
| 4,000,859 | A * | 1/1977 | Whitney | | 241/194 | D637,632 | S | 5/2011 | Schmitz et al. | | |
| 4,202,504 | A * | 5/1980 | Cameron | | 241/194 | D638,451 | S * | 5/2011 | Wong | | D15/138 |
| 4,919,795 | A | 4/1990 | Fujii et al. | | | 2002/0038594 | A1 * | 4/2002 | Maekawa et al. | | 83/886 |
| 5,025,930 | A | 6/1991 | Barthelmess | | | 2003/0079583 | A1 * | 5/2003 | Funakoshi et al. | | 83/13 |
| 5,289,978 | A | 3/1994 | Lundquist | | | 2004/0155085 | A1 * | 8/2004 | Takamatsu et al. | | 225/2 |
| 5,348,272 | A | 9/1994 | Lukstas et al. | | | 2004/0177892 | A1 * | 9/2004 | Crittenden et al. | | 140/123.6 |
| 5,381,976 | A * | 1/1995 | Chon et al. | | 241/197 | 2004/0238666 | A1 * | 12/2004 | Gray et al. | | 241/197 |
| 5,439,327 | A * | 8/1995 | Wertheim | | 407/11 | 2007/0056171 | A1 * | 3/2007 | Taryoto | | 30/350 |
| 5,560,550 | A | 10/1996 | Krawczyk | | | 2008/0272217 | A1 * | 11/2008 | Schmitz et al. | | 241/194 |
| 5,836,229 | A * | 11/1998 | Wakayama et al. | | 83/886 | 2009/0039061 | A1 * | 2/2009 | Kondo et al. | | 219/121.72 |
| 5,938,045 | A | 8/1999 | Makino et al. | | | 2009/0114751 | A1 * | 5/2009 | Doppstadt et al. | | 241/197 |
| D429,741 | S * | 8/2000 | Warren | | D15/123 | 2009/0126551 | A1 * | 5/2009 | Takamatsu et al. | | 83/886 |
| 6,123,279 | A | 9/2000 | Stafford et al. | | | 2009/0179060 | A1 * | 7/2009 | Takamatsu et al. | | 225/2 |
| 6,443,376 | B1 | 9/2002 | Huang et al. | | | 2009/0250538 | A1 * | 10/2009 | Schmitz et al. | | 241/189.1 |
| D465,231 | S * | 11/2002 | Jung et al. | | D15/139 | 2011/0041661 | A1 * | 2/2011 | Kouchi et al. | | 83/13 |
| D465,502 | S * | 11/2002 | Jung et al. | | D15/139 | 2011/0132954 | A1 * | 6/2011 | Tomei et al. | | 225/2 |
| 6,644,479 | B1 | 11/2003 | Kimmeyer et al. | | | 2011/0232422 | A1 * | 9/2011 | Maekawa et al. | | 76/115 |

* cited by examiner

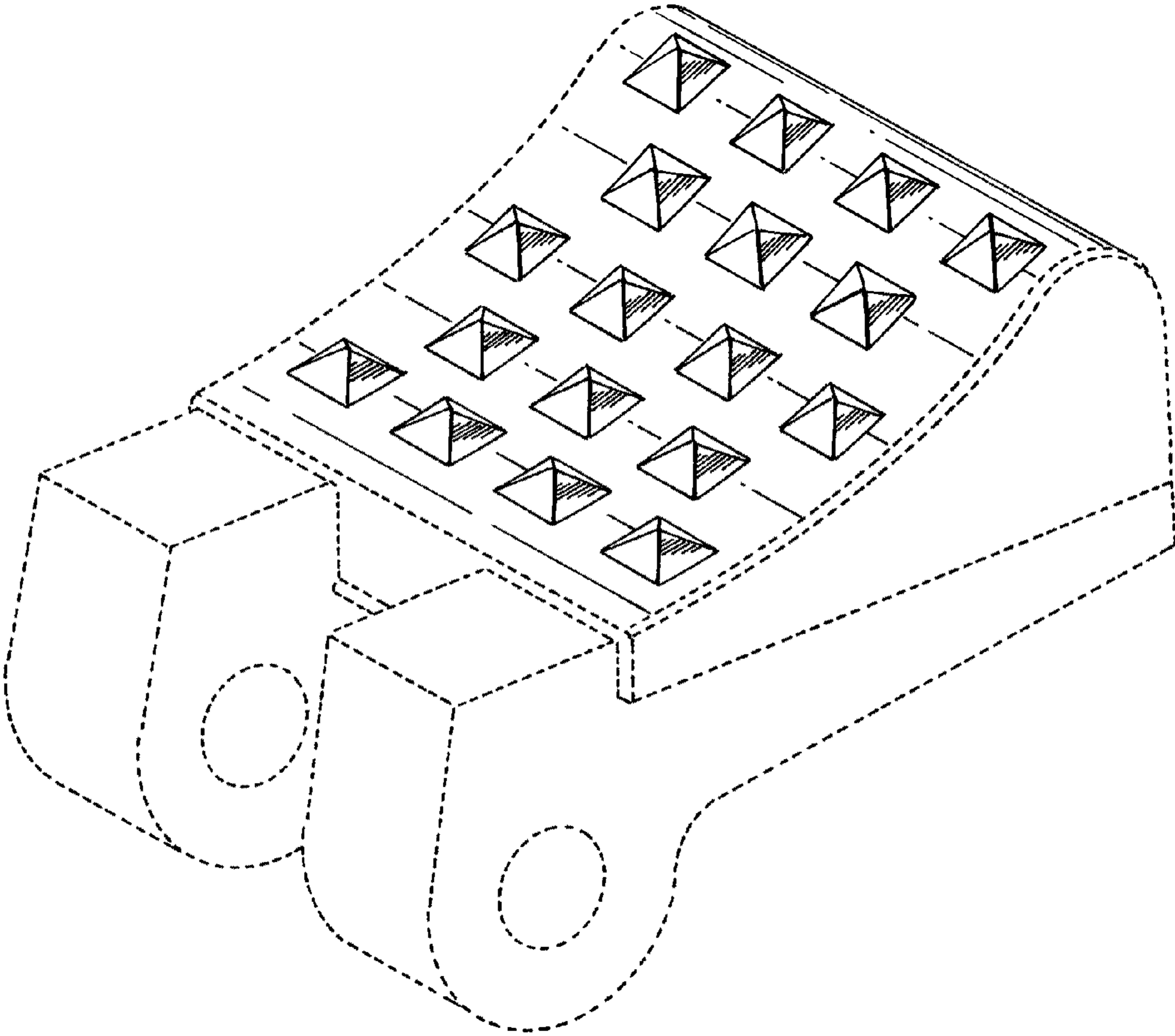


Fig. 1

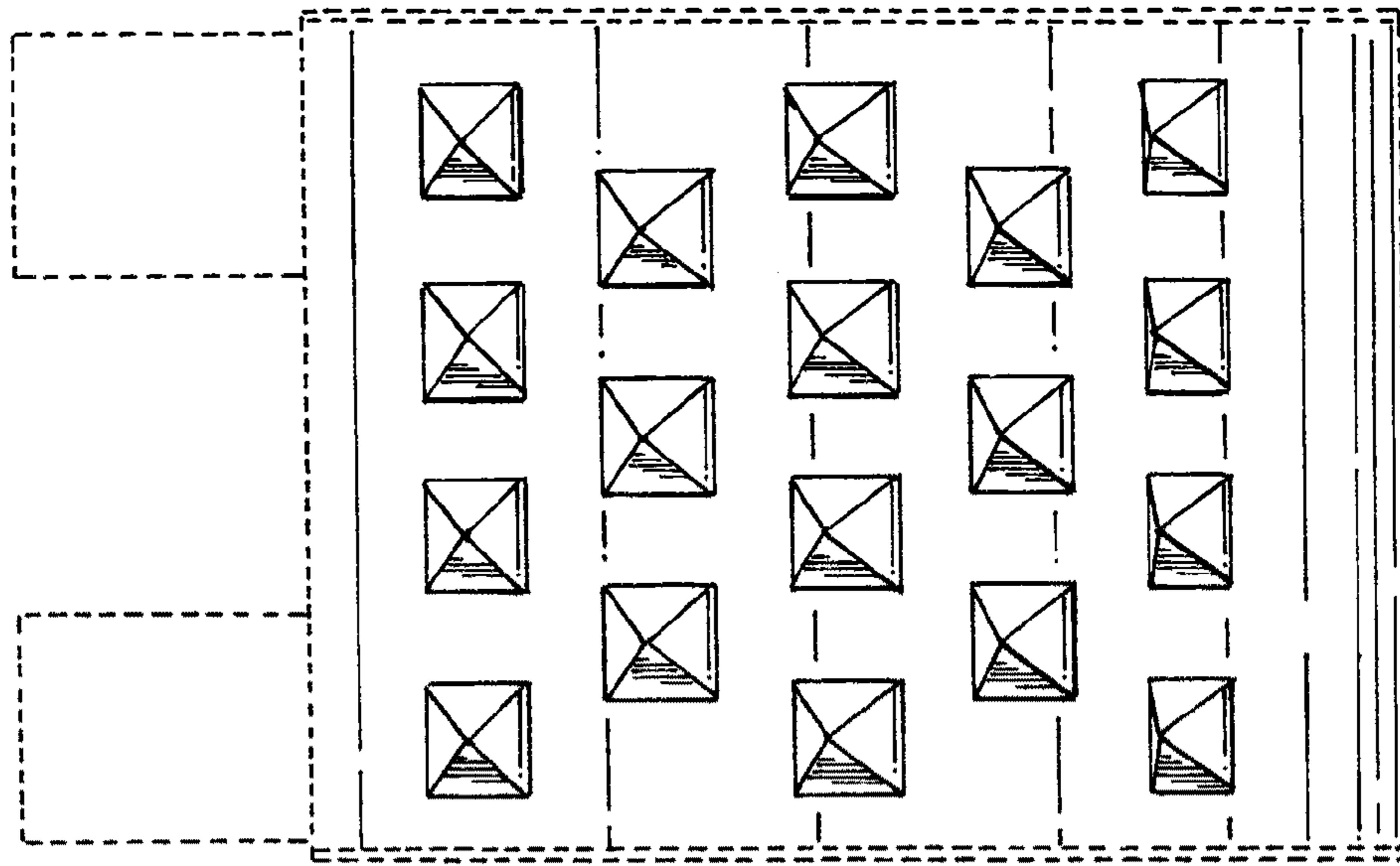


Fig. 2

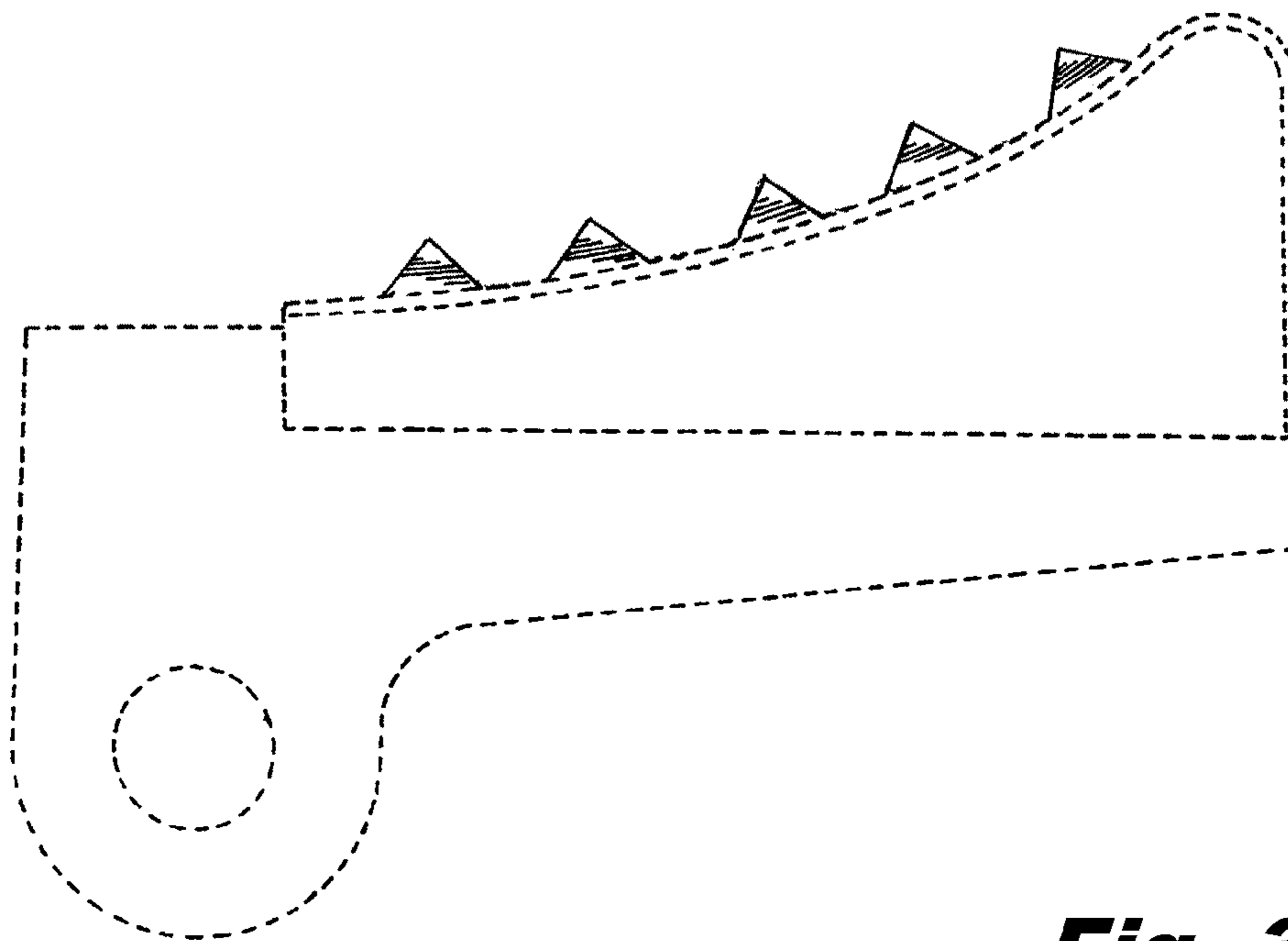


Fig. 3

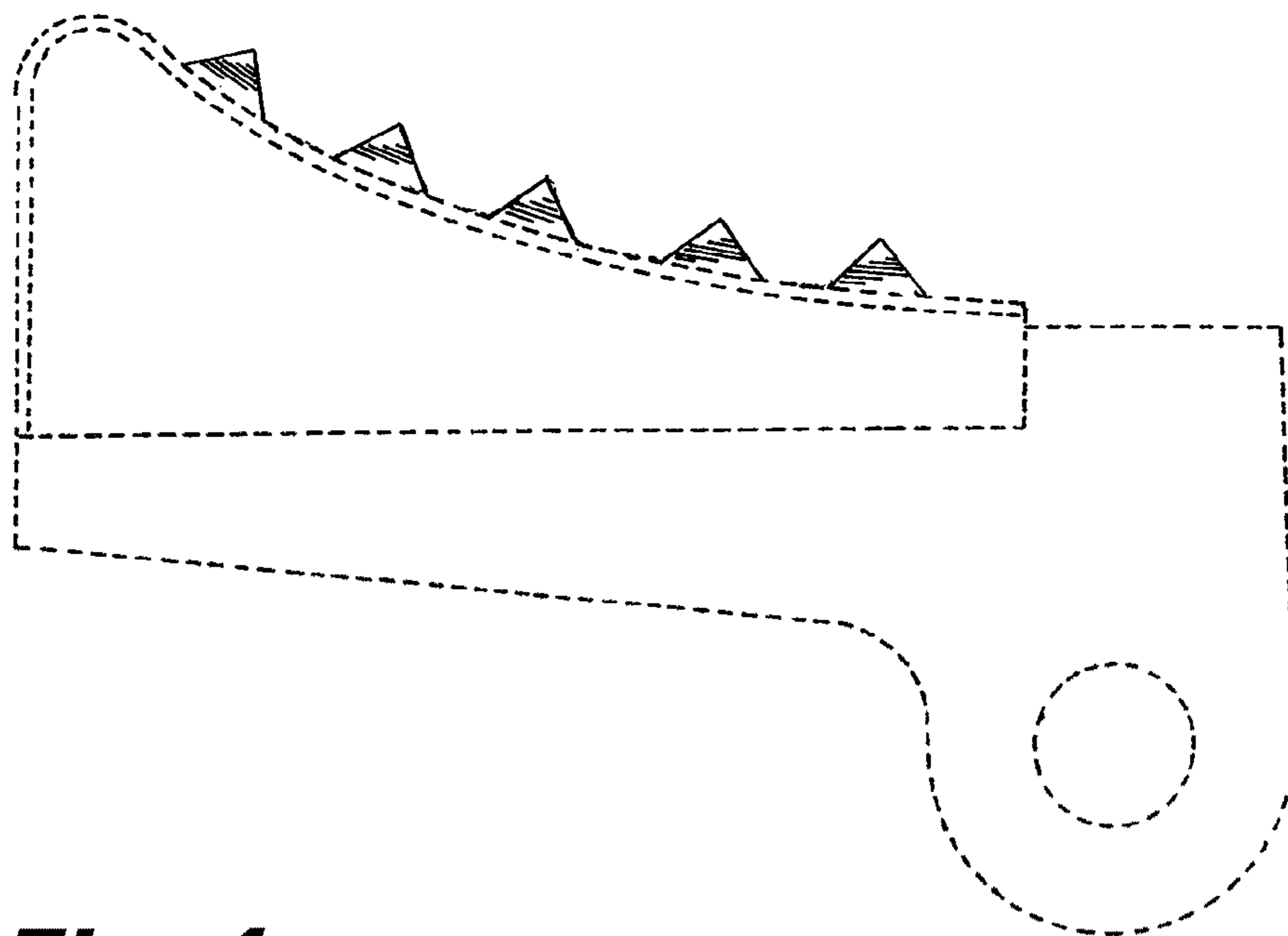


Fig. 4

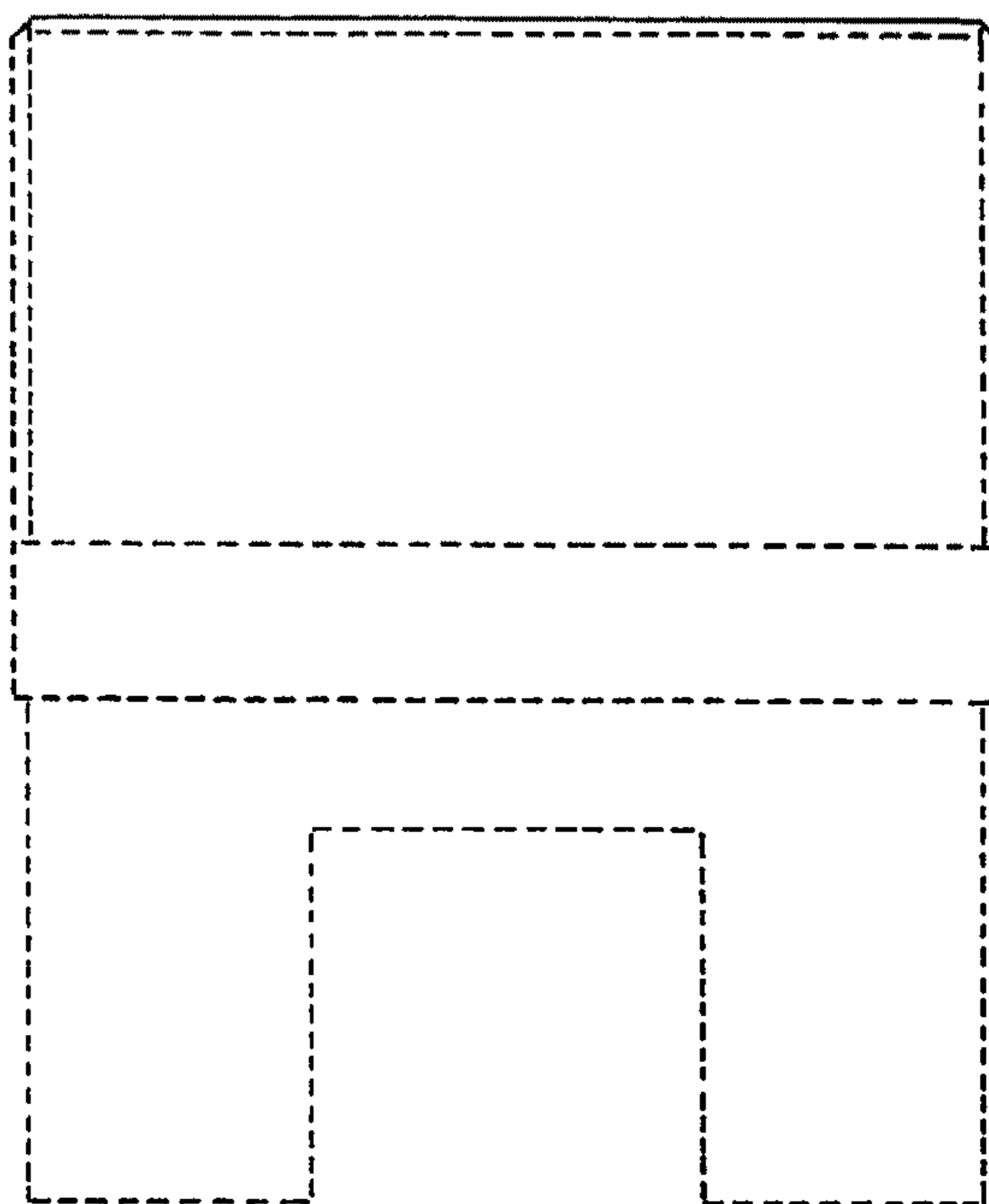


Fig. 5

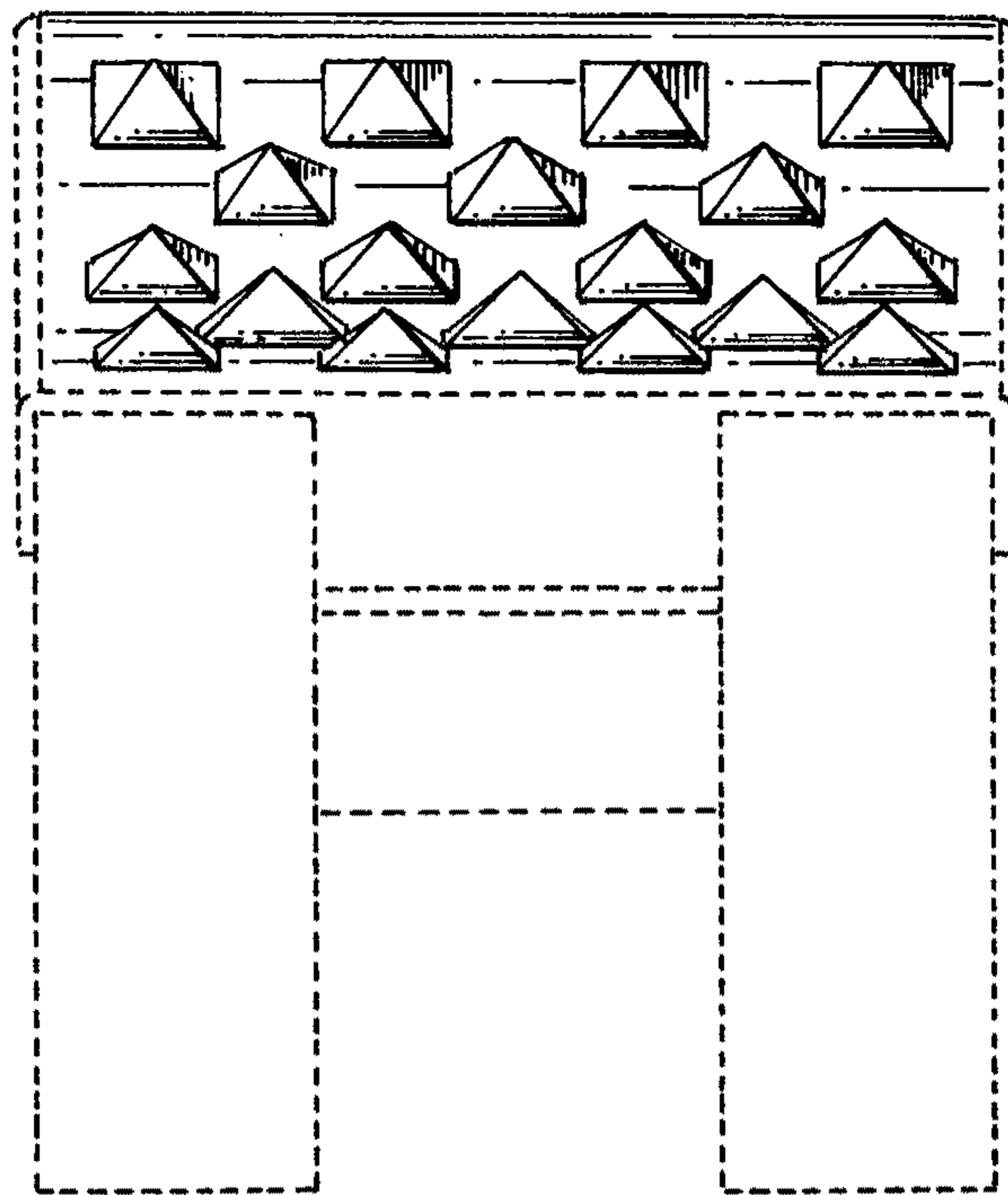


Fig. 6

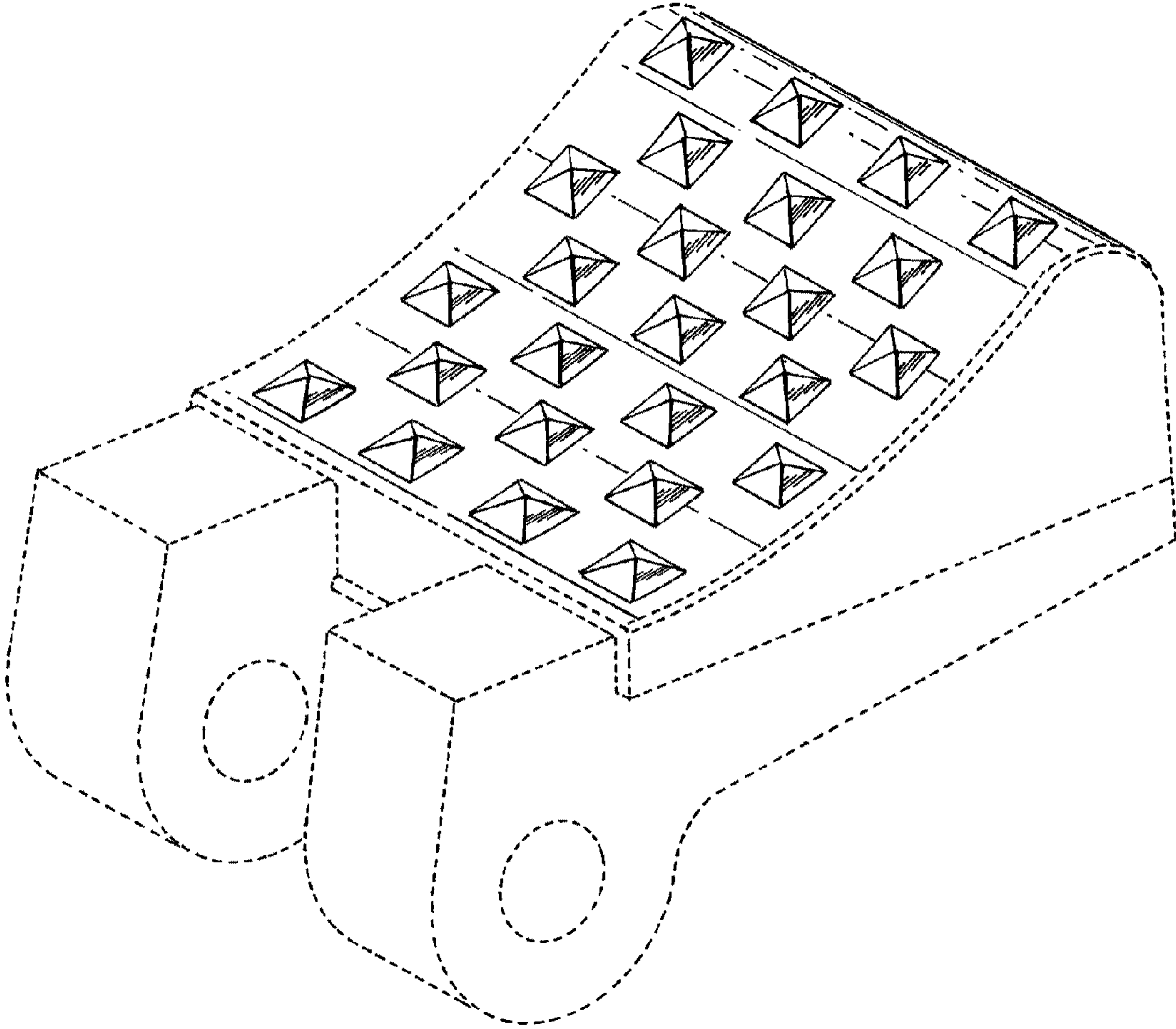


Fig. 7

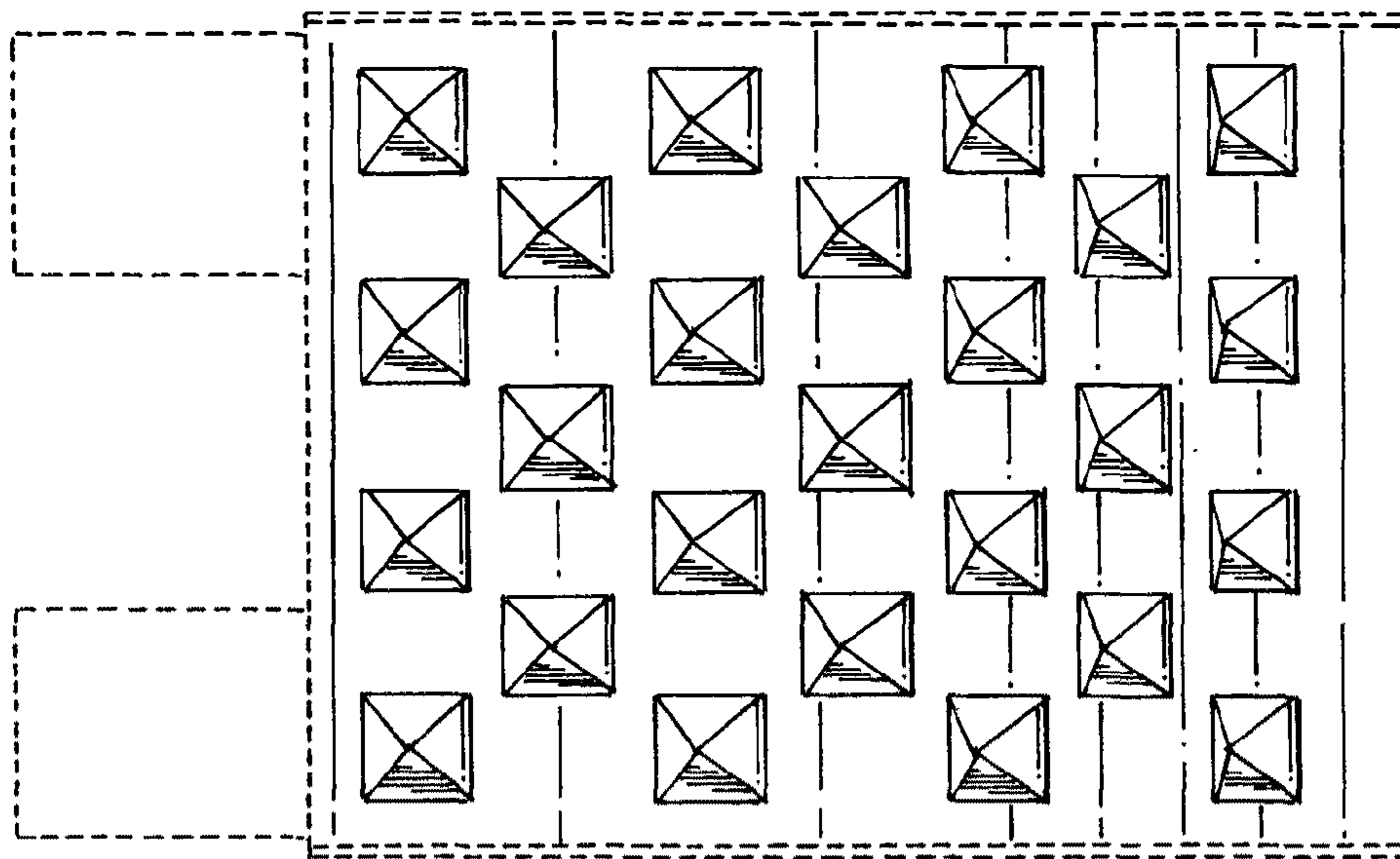


Fig. 8

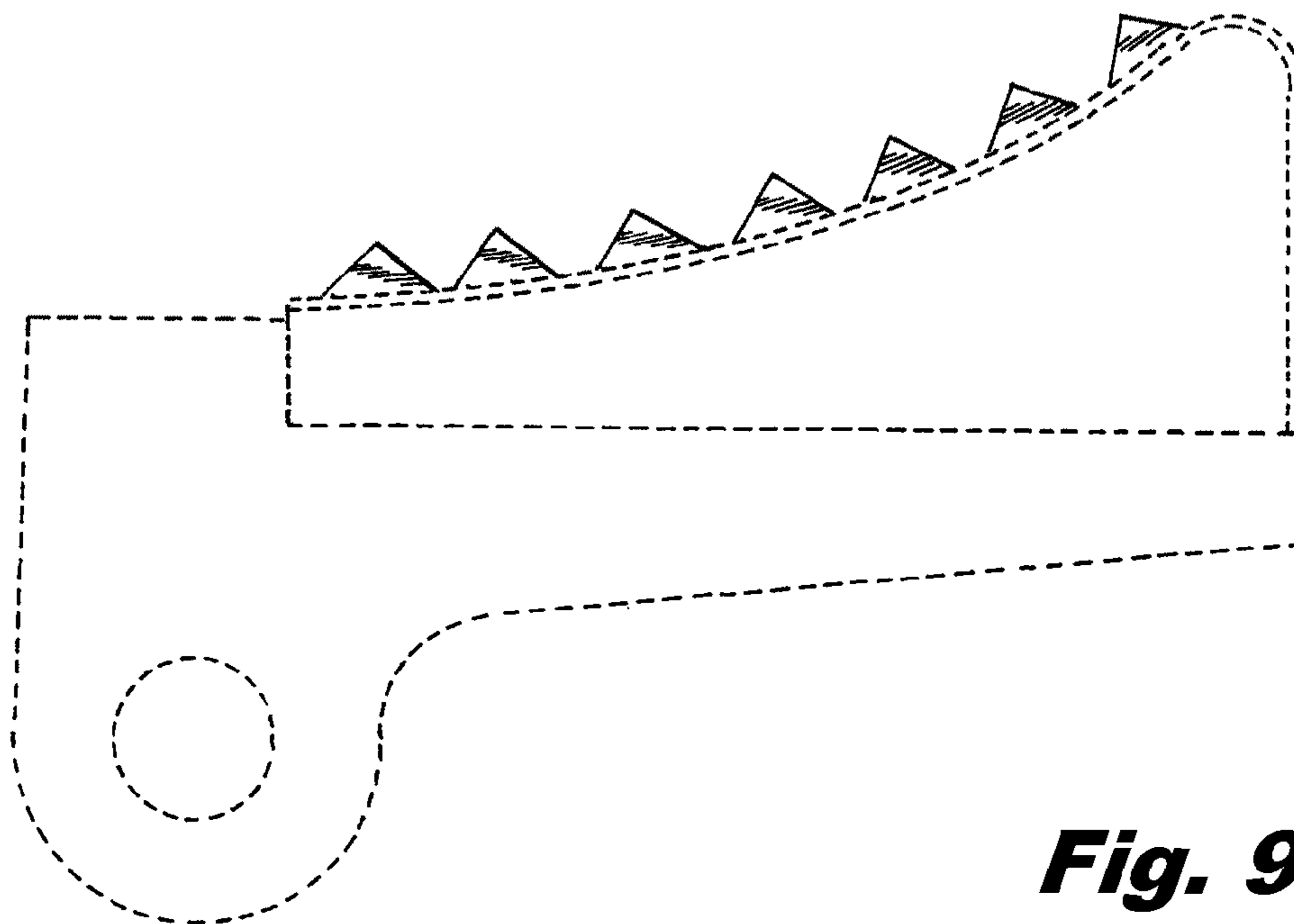


Fig. 9

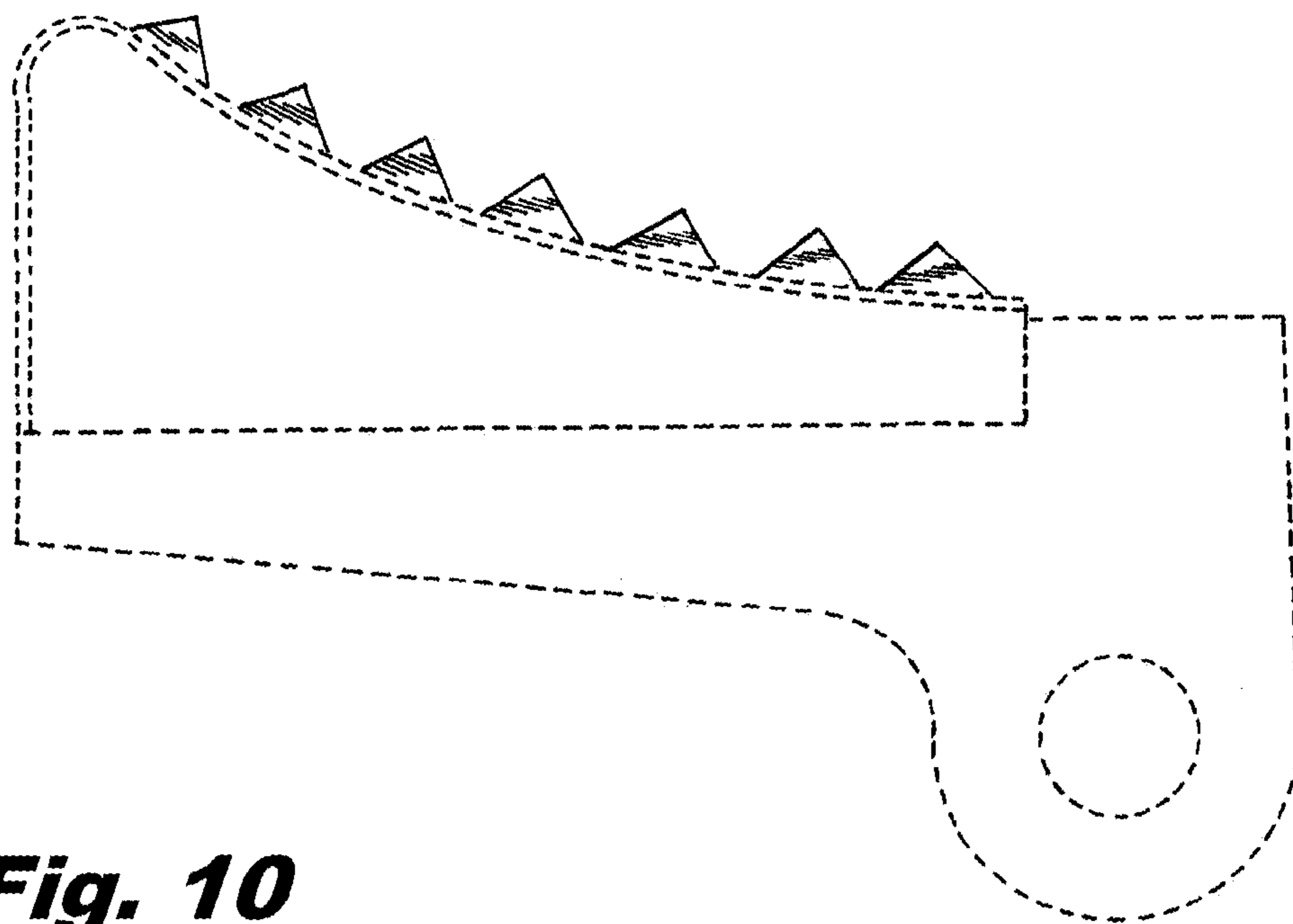


Fig. 10

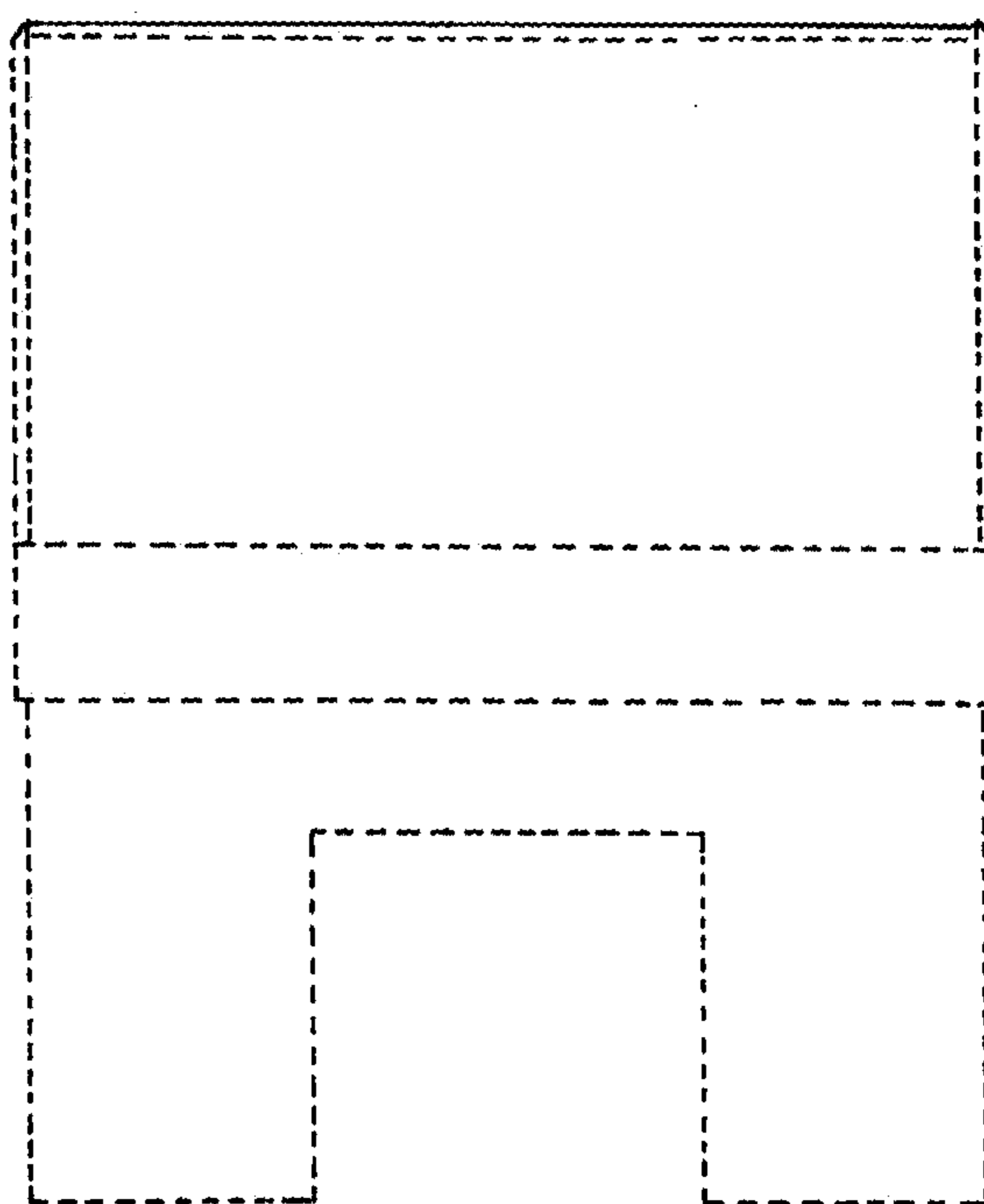


Fig. 11

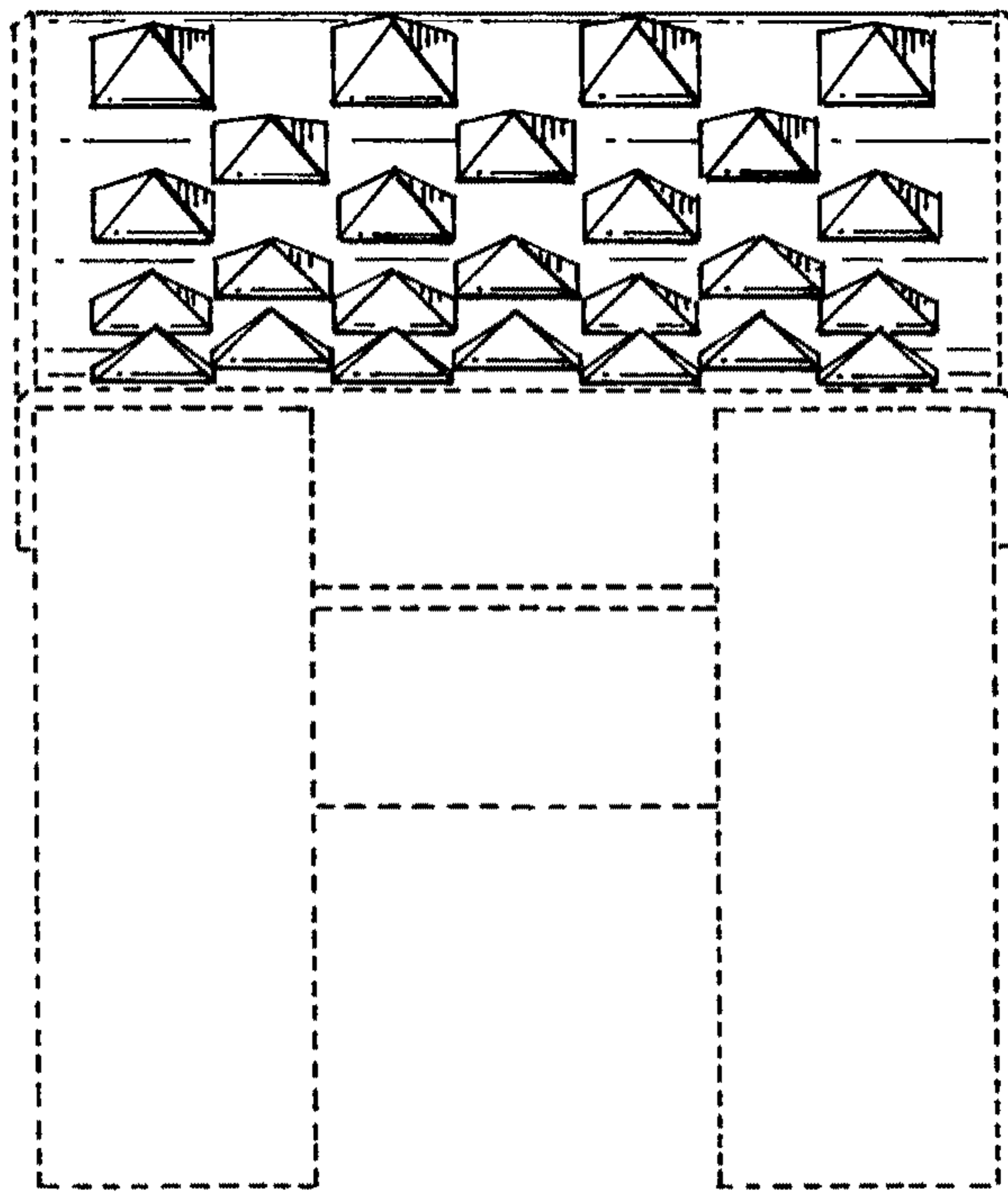


Fig. 12