



US00D685397S

(12) **United States Design Patent**
Anderson et al.

(10) **Patent No.:** **US D685,397 S**

(45) **Date of Patent:** **** Jul. 2, 2013**

(54) **EQUIPMENT CONTROL CONSOLE**

(75) Inventors: **Bradley D. Anderson**, Rogers, MN (US); **Luke E. Graham**, Maple Grove, MN (US); **Christian D. Ritchie**, Morton, IL (US); **Steven M. Haas**, Shakopee, MN (US); **Igor S. Ramos**, Minnetonka, MN (US); **Latanya G. Turner**, St. Paul, MN (US); **Joshua S. Whitmore**, Dunlap, IL (US)

(73) Assignee: **Caterpillar Paving Products Inc.**, Minneapolis, MN (US)

(**) Term: **14 Years**

(21) Appl. No.: **29/413,808**

(22) Filed: **Feb. 21, 2012**

(51) **LOC (9) Cl.** **15-03**

(52) **U.S. Cl.**
USPC **D15/28; D34/35**

(58) **Field of Classification Search**
USPC D15/28; D34/34, 35; D12/192, 400, D12/415; 180/19.1, 19.3, 90; 296/70; 280/43.12, 752

See application file for complete search history.

(56) **References Cited**

U.S. PATENT DOCUMENTS

D277,795 S *	2/1985	Griffiths	D34/35
D283,706 S *	5/1986	Barrett	D15/138
D332,272 S *	1/1993	Miller et al.	D15/138
D371,345 S *	7/1996	Martino et al.	D14/339
D407,075 S *	3/1999	Wung	D14/335
D411,498 S *	6/1999	Pourias	D12/192
D432,963 S *	10/2000	Meinhardt	D12/192
D434,425 S *	11/2000	Rossow et al.	D15/28
D444,750 S *	7/2001	Meinhardt	D12/192
D519,132 S *	4/2006	Laux et al.	D15/28

D525,409 S *	7/2006	Cantrill et al.	D34/35
D527,665 S *	9/2006	Koide et al.	D10/103
D542,504 S *	5/2007	Yanagida et al.	D34/35
D555,676 S *	11/2007	Haubrich et al.	D15/28
D557,645 S *	12/2007	Akagawa et al.	D12/192
D581,624 S *	11/2008	Kato	D34/35
D590,122 S *	4/2009	Shaw et al.	D34/35
D599,075 S *	8/2009	Shibata et al.	D34/35
D627,802 S *	11/2010	Berning et al.	D15/28
D628,603 S *	12/2010	Berning et al.	D15/28
D636,410 S *	4/2011	Ono et al.	D15/28
D640,293 S *	6/2011	Ono et al.	D15/28
D650,815 S *	12/2011	Pellervo Viertola et al.	..	D15/28
D651,220 S *	12/2011	Ohtonen	D15/28
D659,343 S *	5/2012	Saitou et al.	D34/35
D659,939 S *	5/2012	Saitou et al.	D34/35
D667,848 S *	9/2012	Schindler et al.	D15/28

* cited by examiner

Primary Examiner — Mark Goodwin

(74) *Attorney, Agent, or Firm* — Finnegan, Henderson, Farabow, Garrett & Dunner LLP

(57) **CLAIM**

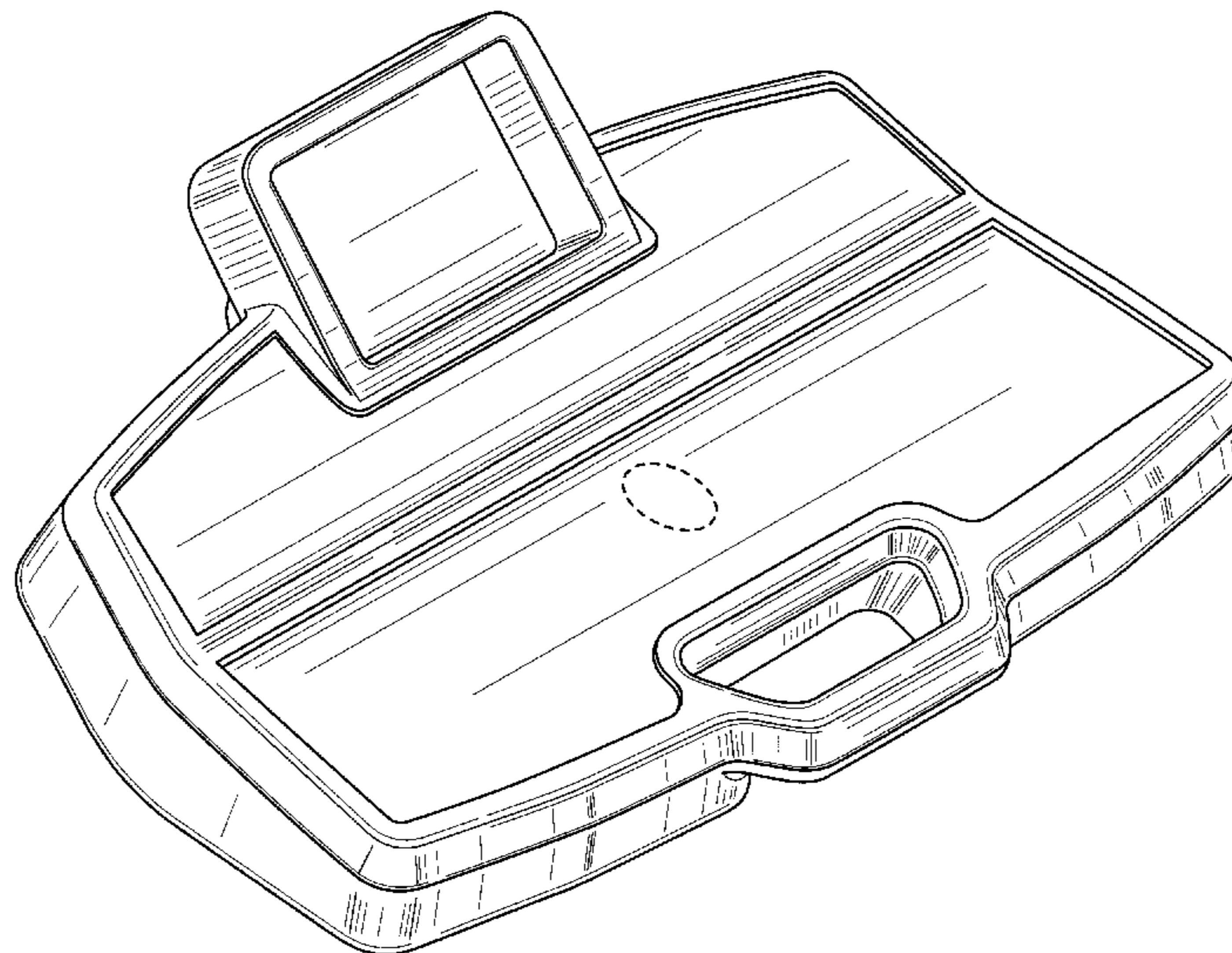
The ornamental design for an equipment control console, as shown and described.

DESCRIPTION

FIG. 1 is a top perspective view of an equipment control console showing our new design; FIG. 2 is a top front perspective view thereof; FIG. 3 is a bottom view thereof; FIG. 4 is a left side view thereof; FIG. 5 is a right side thereof; FIG. 6 is a front view thereof; and, FIG. 7 is a top plan view thereof.

The portions depicted in broken lines are environment and the elements depicted in broken lines form no part of the claimed design.

1 Claim, 7 Drawing Sheets



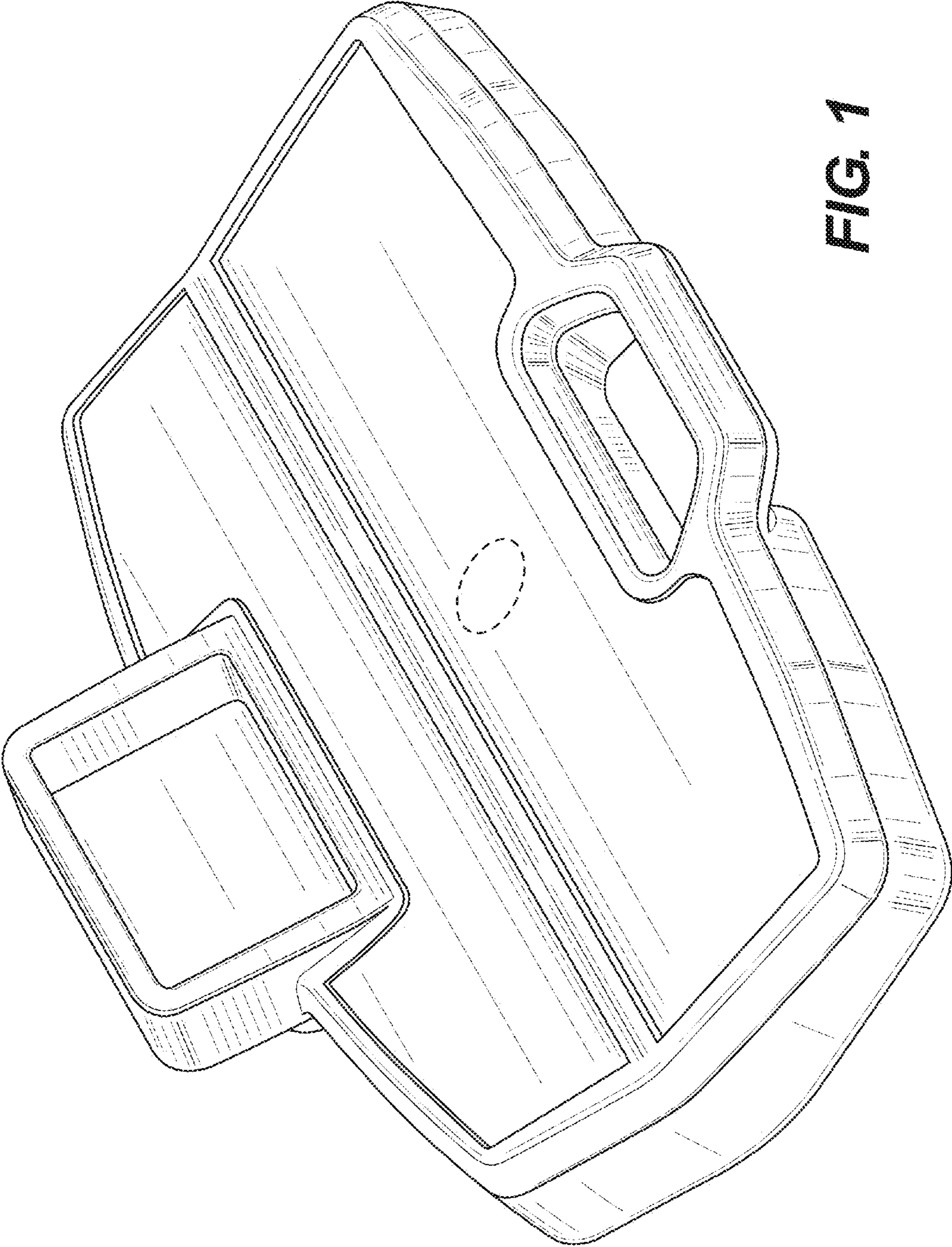


FIG. 1

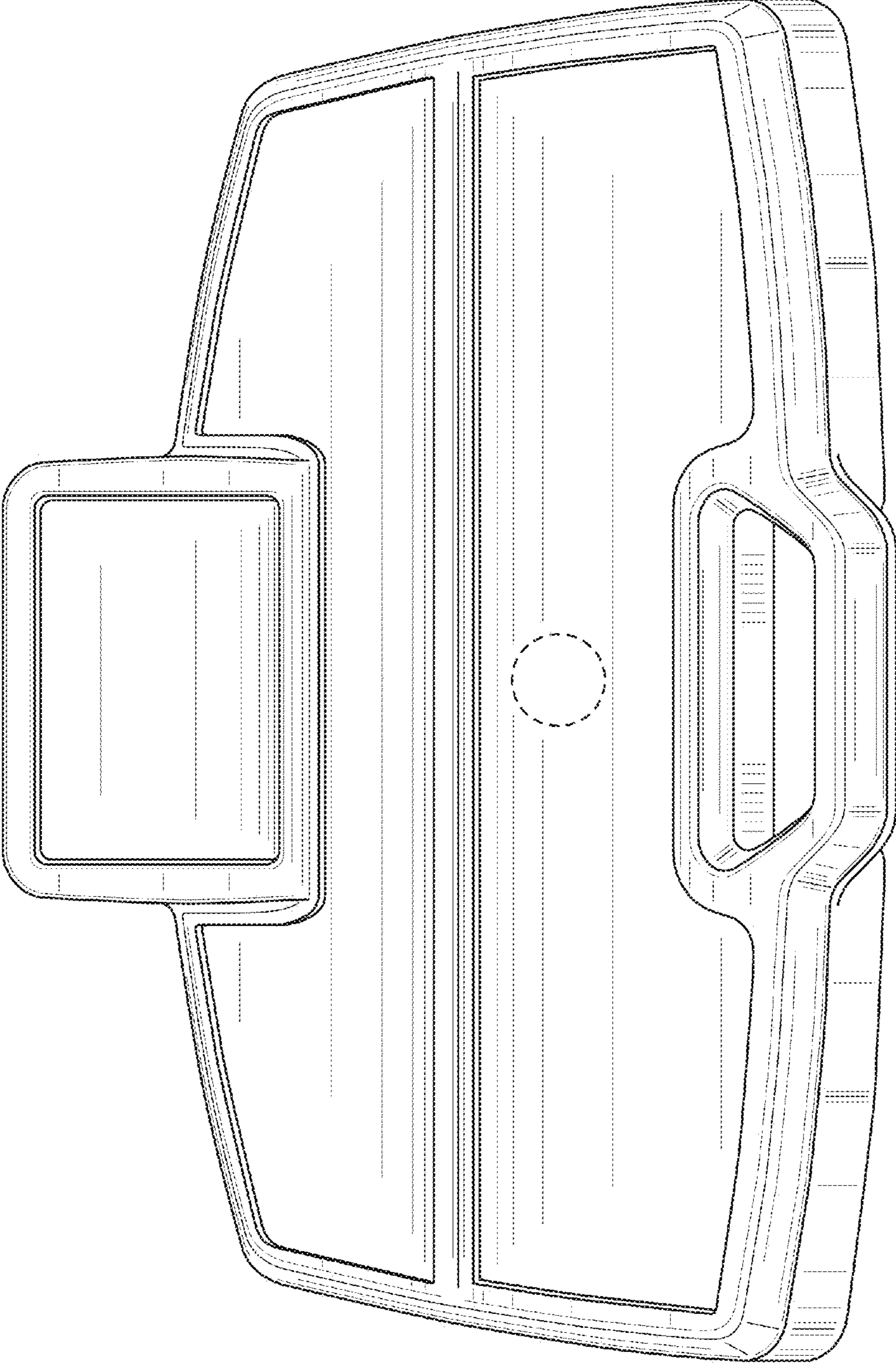


FIG. 2

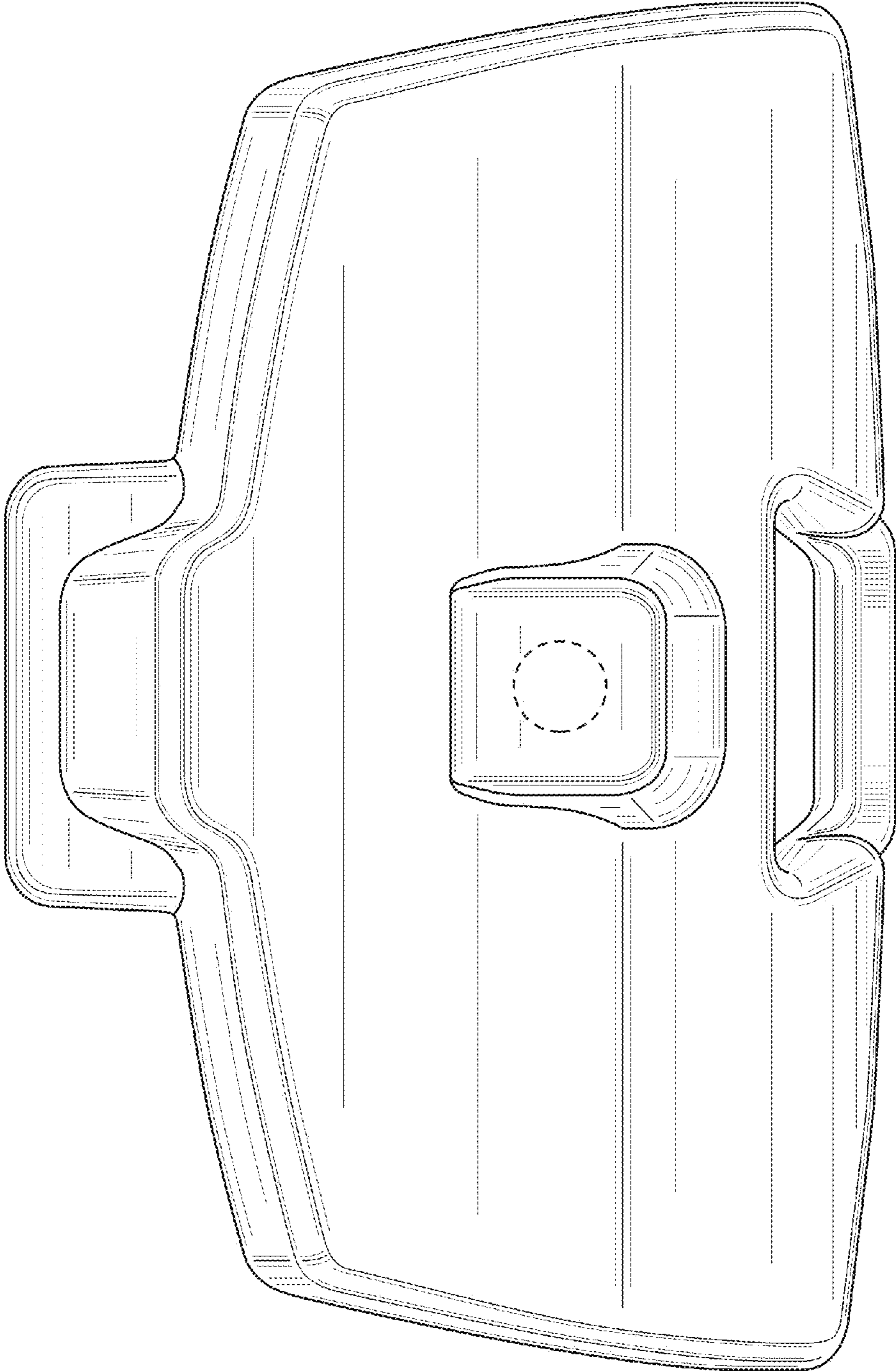


FIG. 3

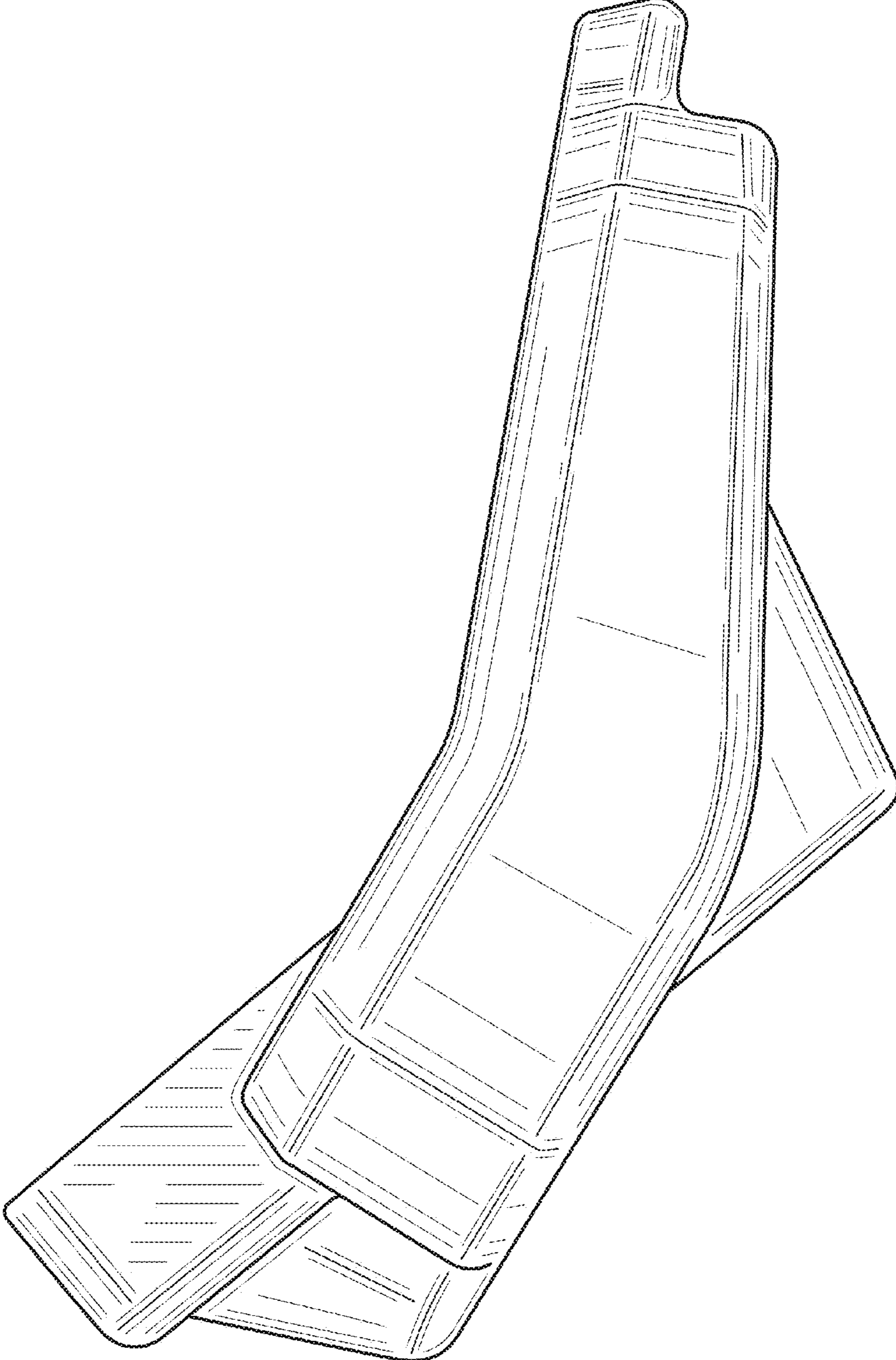


FIG. 4

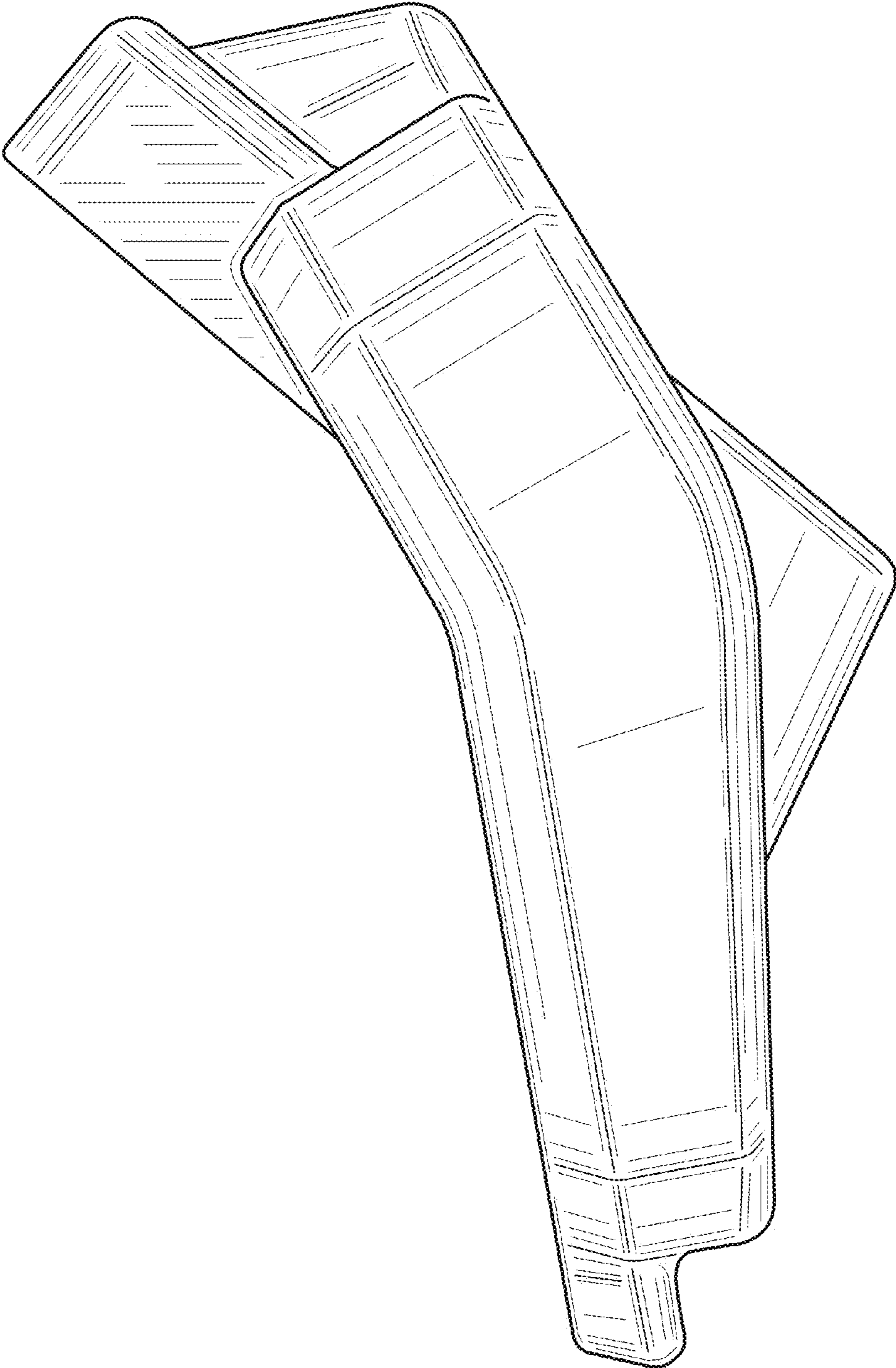


FIG. 5

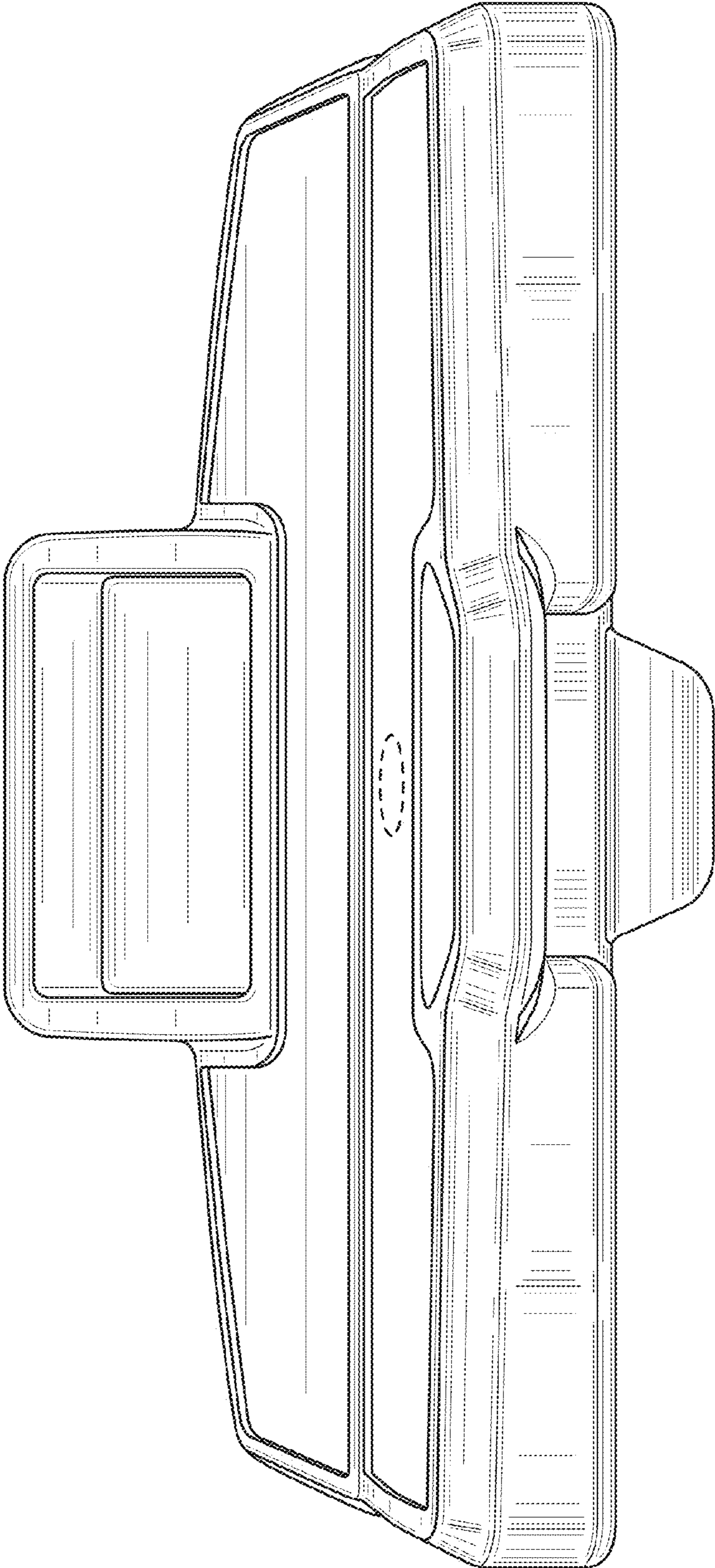


FIG. 6

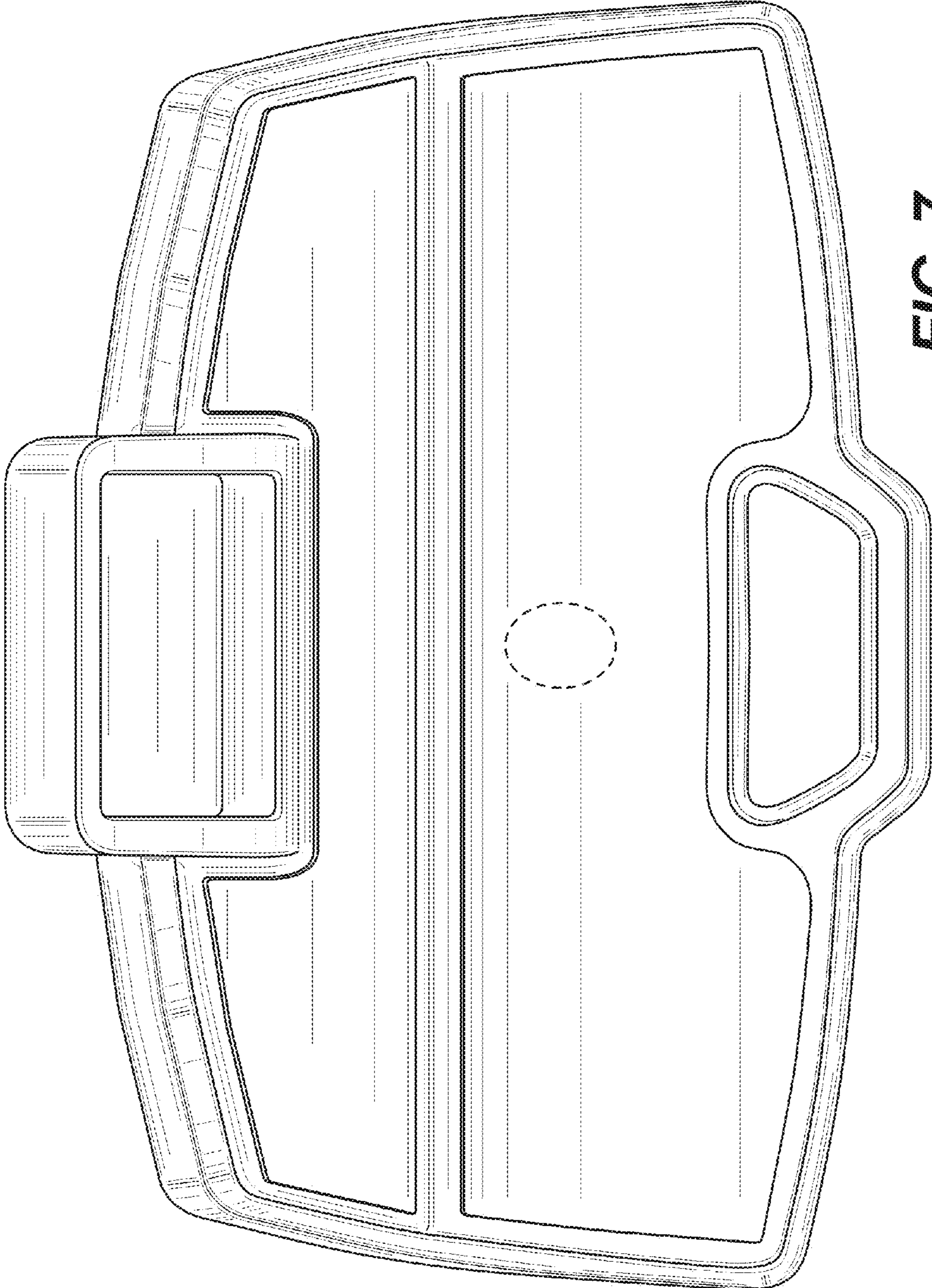


FIG. 7