



US00D685396S

(12) **United States Design Patent**
Newberry et al.

(10) **Patent No.:** **US D685,396 S**

(45) **Date of Patent:** **** Jul. 2, 2013**

(54) **BOOM NOSE**

(75) Inventors: **Christopher Stephen Newberry,**
Staffordshire (GB); **Christopher James**
Wilson, Staffordshire (GB)

(73) Assignee: **J.C. Bamford Excavators Limited,**
Rocester, Uttoxer, Staffordshire (GB)

(**) Term: **14 Years**

(21) Appl. No.: **29/407,501**

(22) Filed: **Nov. 30, 2011**

(51) **LOC (9) Cl.** **15-03**

(52) **U.S. Cl.**
USPC **D15/28; D34/35**

(58) **Field of Classification Search**
USPC D15/10, 28, 32, 33; D34/33-36; 414/722,
414/718, 815, 723, 685, 563; 212/260, 261,
212/180, 300, 347, 348; 37/341, 407
See application file for complete search history.

(56) **References Cited**

U.S. PATENT DOCUMENTS

3,521,759	A *	7/1970	Gardenhour	212/300
3,858,675	A *	1/1975	Geis	180/307
3,987,594	A *	10/1976	Rao et al.	52/111
4,016,688	A *	4/1977	Tiffin et al.	52/118
D251,241	S *	3/1979	Grove	D34/36
4,216,869	A *	8/1980	Grove	212/290
4,274,791	A *	6/1981	Moon	414/563
D299,179	S *	12/1988	Bernabe, Jr.	D34/36
D301,127	S *	5/1989	Lindblom	D12/14
5,076,448	A *	12/1991	Ballard	212/294
5,152,659	A *	10/1992	Waka	414/722
D346,474	S *	4/1994	Lindgren	D34/35

D348,135	S *	6/1994	Goto et al.	D34/34
D348,967	S *	7/1994	Goto et al.	D34/34
5,487,478	A *	1/1996	Morrow	212/253
D388,930	S *	1/1998	Pinkston et al.	D34/34
D410,240	S *	5/1999	Sasaki	D15/32
6,186,346	B1 *	2/2001	Reitz	212/168
D441,164	S *	4/2001	Suzuki	D34/33
D598,031	S *	8/2009	Smith et al.	D15/28
D640,443	S *	6/2011	Yoda et al.	D34/36
D646,306	S *	10/2011	Bradley et al.	D15/32
2005/0224439	A1 *	10/2005	Bean et al.	212/280
2011/0253662	A1 *	10/2011	Stander	212/281

* cited by examiner

Primary Examiner — Mark Goodwin

(74) *Attorney, Agent, or Firm* — Marshall, Gerstein & Borun
LLP

(57) **CLAIM**

The ornamental design for a boom nose, as shown and described.

DESCRIPTION

FIG. 1 is a front, top, and side perspective view of a boom nose showing our new design.

FIG. 2 is a front, top, and opposite side perspective view thereof.

FIG. 3 is a front elevation view thereof.

FIG. 4 is a side elevation view.

FIG. 5 is an opposite side elevation view.

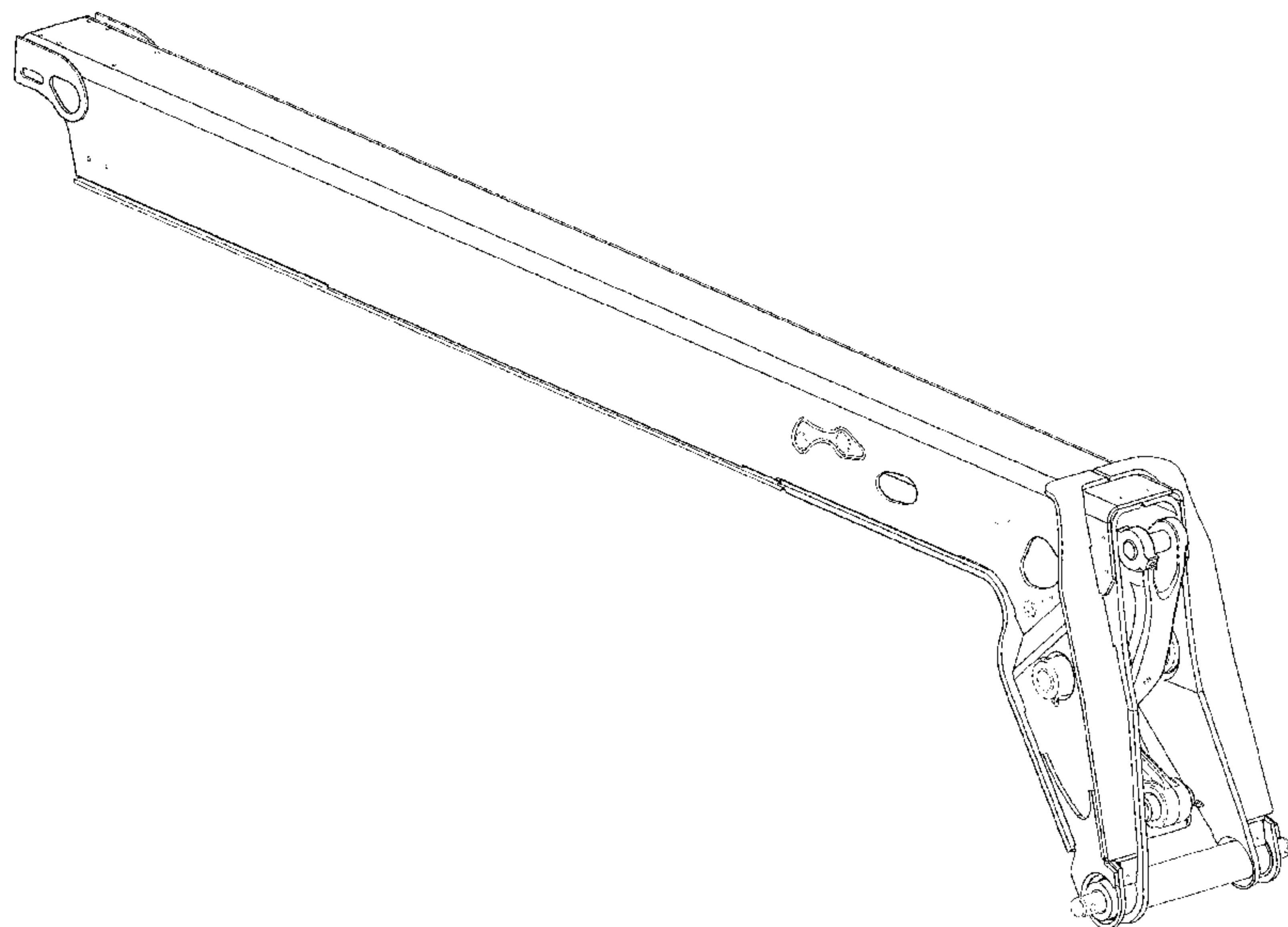
FIG. 6 is a rear elevation view; and,

FIG. 7 is a top plan view.

The bottom view forms no part of the claimed design.

The broken line showing represent elements of the boom nose that do not form part of the claimed design.

1 Claim, 7 Drawing Sheets



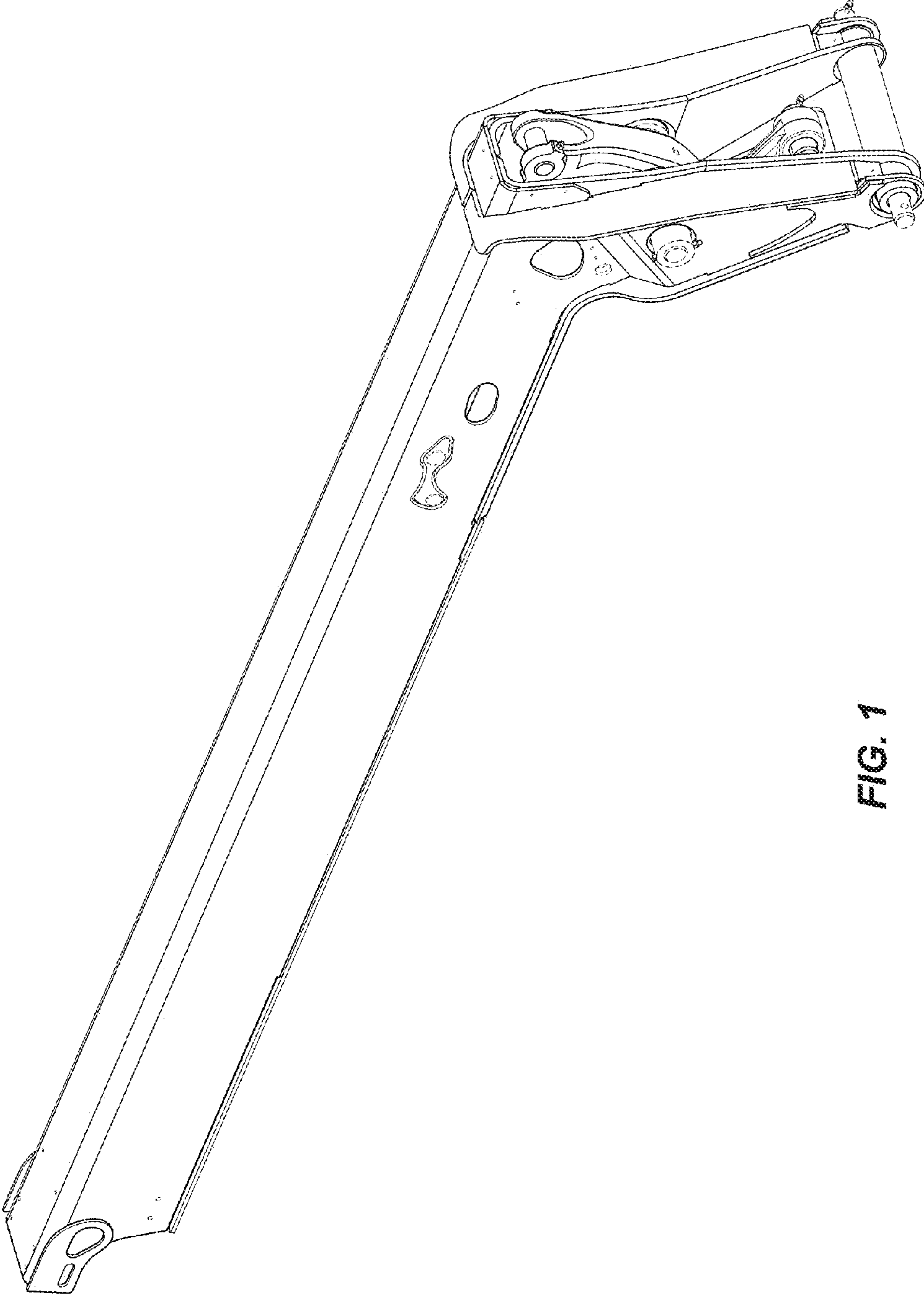


FIG. 1

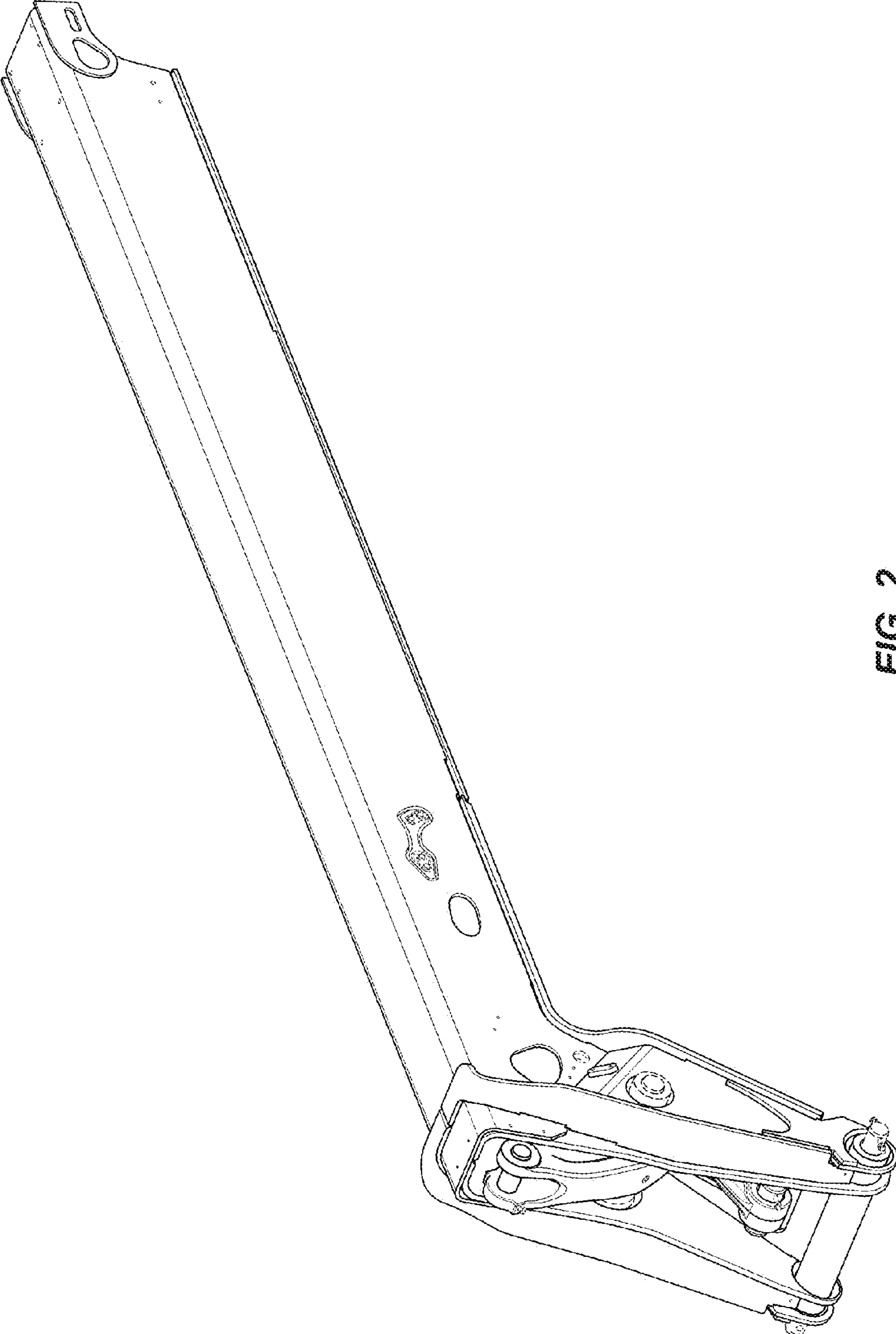


FIG. 2

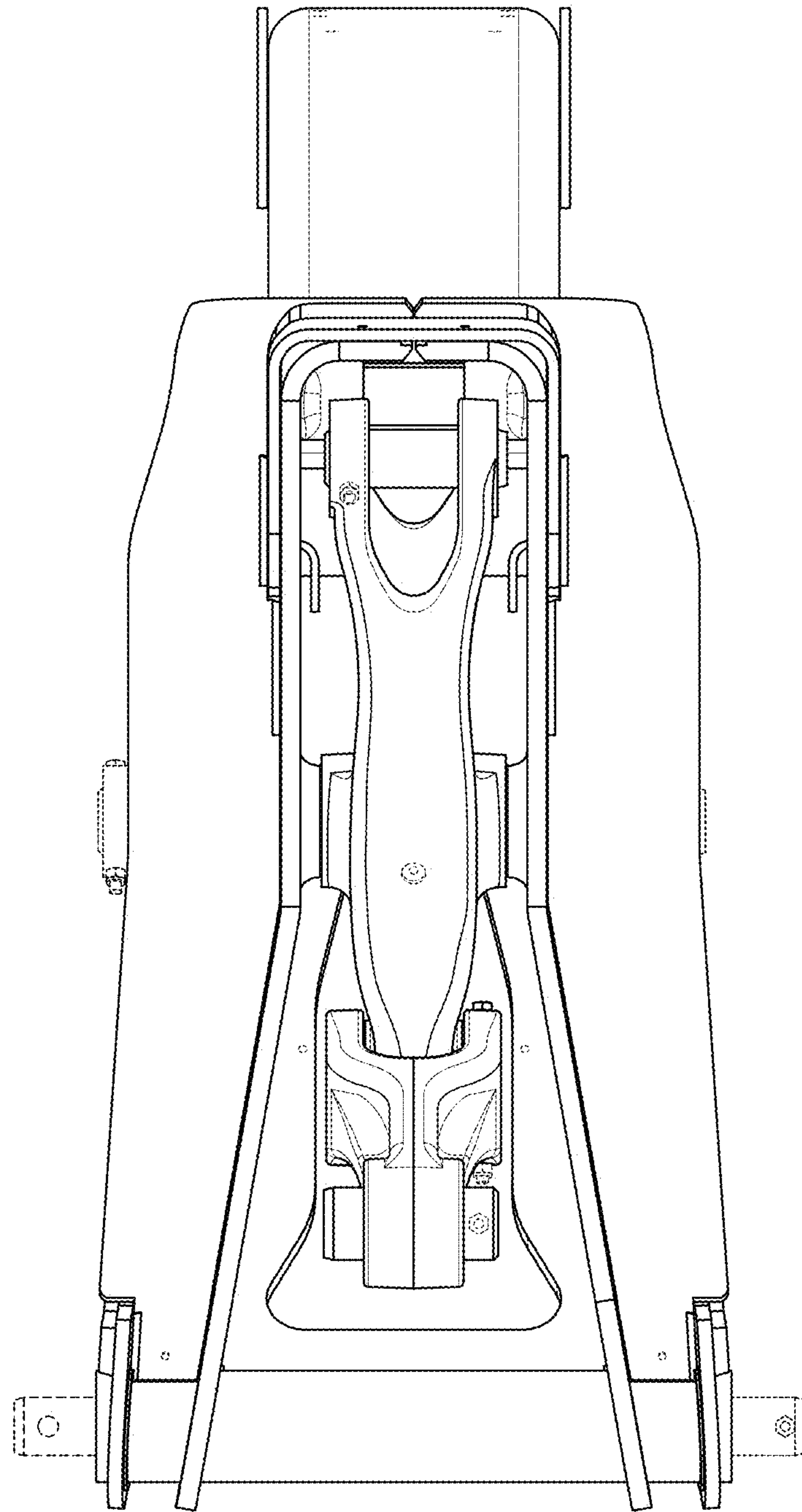


FIG. 3

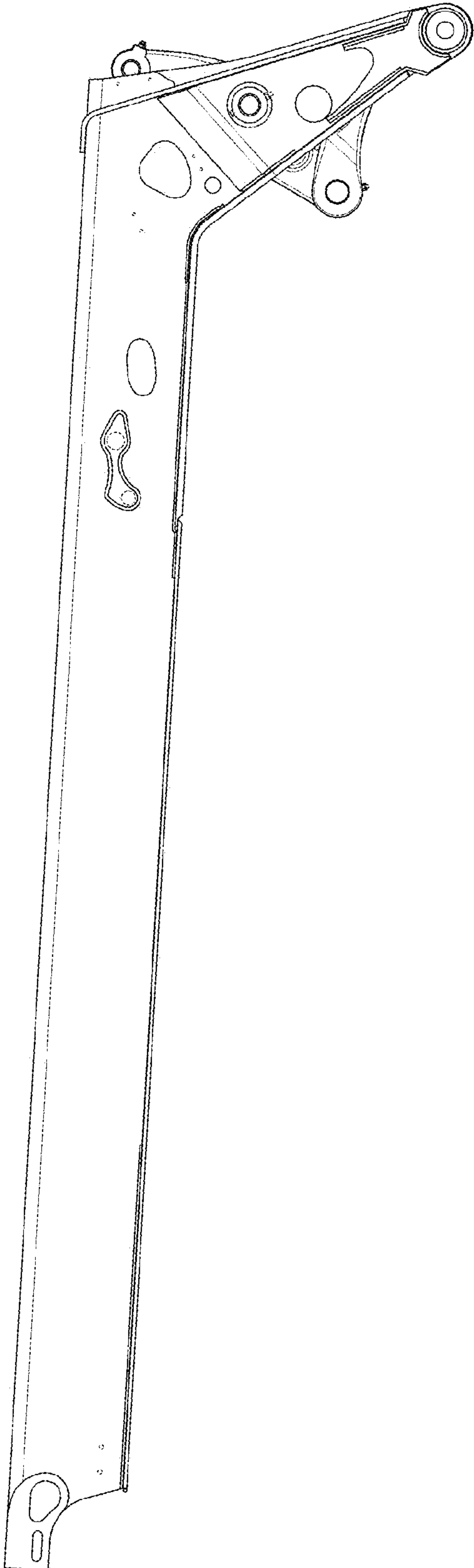


FIG. 4

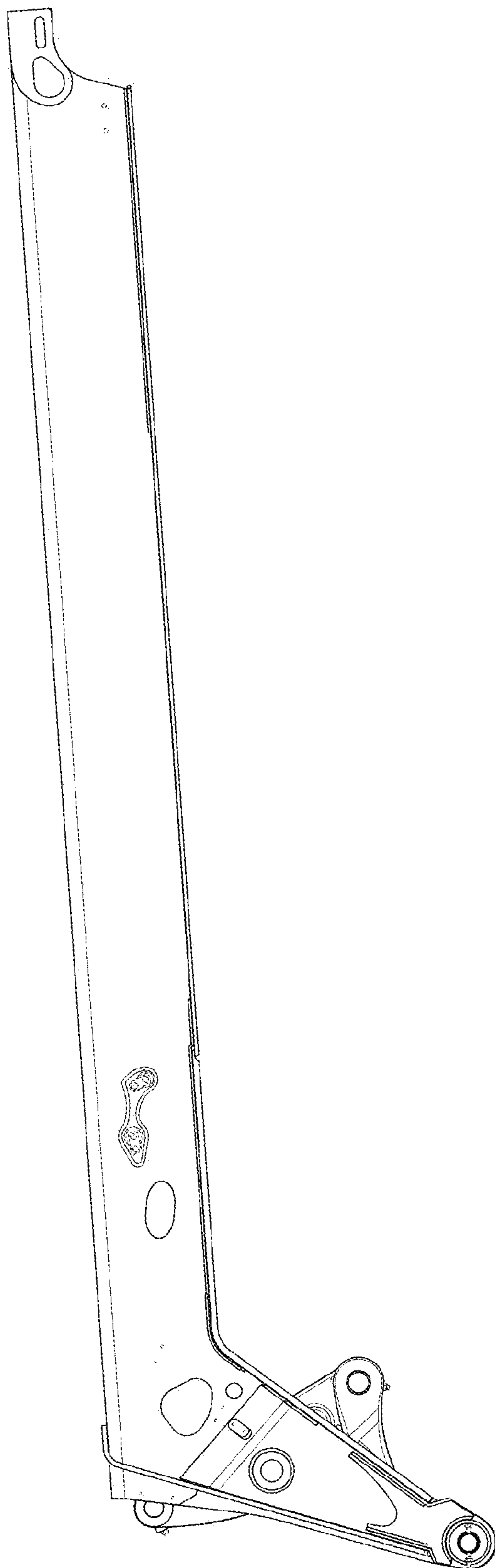


FIG. 5

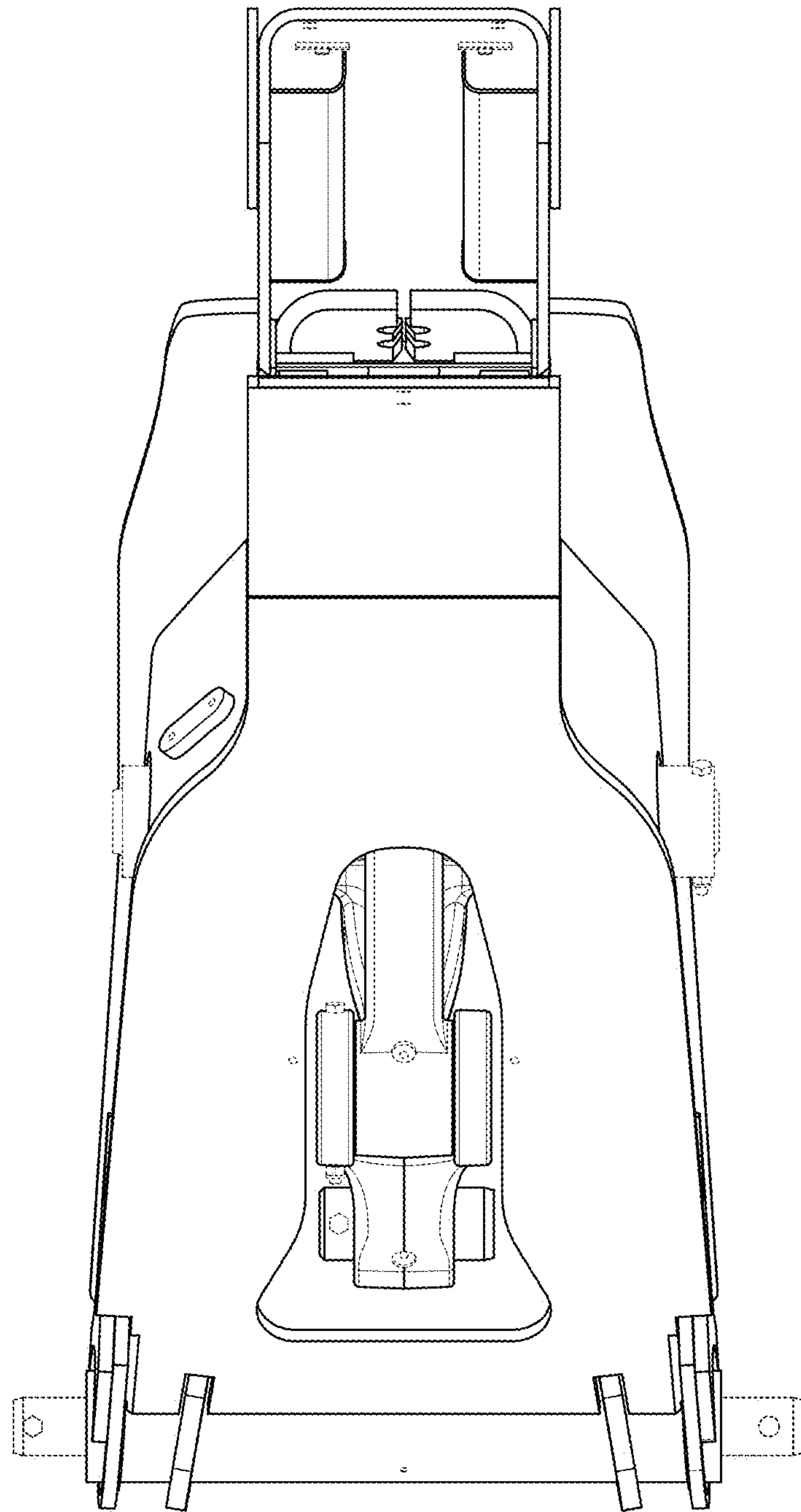


FIG. 6

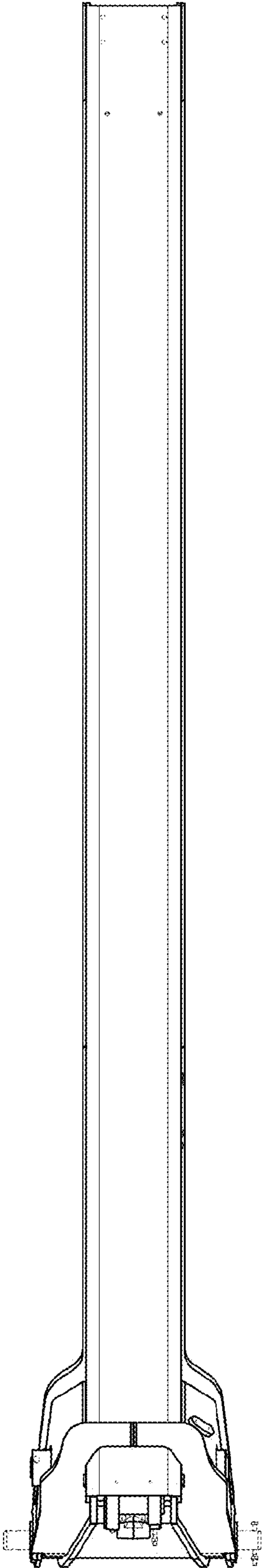


FIG. 7