



US00D685394S

(12) **United States Design Patent**  
**Nagata et al.**

(10) **Patent No.:** **US D685,394 S**  
(45) **Date of Patent:** **\*\* Jul. 2, 2013**

(54) **EXCAVATOR**

(71) Applicant: **Yanmar Co., Ltd.**, Osaki (JP)

(72) Inventors: **Masao Nagata**, Chikugo (JP); **Yasuyuki Oyamada**, Chikugo (JP); **Hideki Seino**, Chikugo (JP); **Mineaki Ogata**, Chikugo (JP); **Takaaki Kuroda**, Chikugo (JP); **Takuzo Kawamura**, Chikugo (JP)

(73) Assignee: **Yanmar Co., Ltd.**, Osaka (JP)

(\*\*) Term: **14 Years**

(21) Appl. No.: **29/440,028**

(22) Filed: **Dec. 18, 2012**

(30) **Foreign Application Priority Data**

Jun. 18, 2012 (JP) ..... 2012-14473

(51) **LOC (9) Cl.** ..... **12-09**

(52) **U.S. Cl.**  
USPC ..... **D15/24; D15/25**

(58) **Field of Classification Search**  
USPC ..... D15/10, 22-26, 28, 30; 180/89.1, 180/89.12, 89.13, 900, 9.1, 9.2, 9.62; 37/379; 414/694, 699, 722-724, 660, 685, 698, 719, 414/743

See application file for complete search history.

(56) **References Cited**

**U.S. PATENT DOCUMENTS**

D309,313 S \* 7/1990 Takashima et al. .... D15/25  
D312,468 S \* 11/1990 Masumoto et al. .... D15/25

D354,497 S \* 1/1995 Kusunoki et al. .... D15/25  
D440,235 S \* 4/2001 Kuwae et al. .... D15/25  
D462,973 S \* 9/2002 Tamaru et al. .... D15/25  
D462,974 S \* 9/2002 Yanagida et al. .... D15/25  
D474,481 S \* 5/2003 Hara ..... D15/25  
D511,531 S \* 11/2005 Sewell et al. .... D15/24  
D518,071 S \* 3/2006 Gwak et al. .... D15/25  
D527,027 S \* 8/2006 Smith et al. .... D15/24  
D538,304 S \* 3/2007 Uemura ..... D15/25  
D538,827 S \* 3/2007 Uemura ..... D15/25  
D561,785 S \* 2/2008 Imashige et al. .... D15/24  
D576,180 S \* 9/2008 Kuwae et al. .... D15/25  
D609,252 S \* 2/2010 Shimada et al. .... D15/25  
D633,926 S \* 3/2011 Shimada et al. .... D15/25

\* cited by examiner

*Primary Examiner* — Mark Goodwin

(74) *Attorney, Agent, or Firm* — Sterne, Kessler, Goldstein & Fox P.L.L.C.

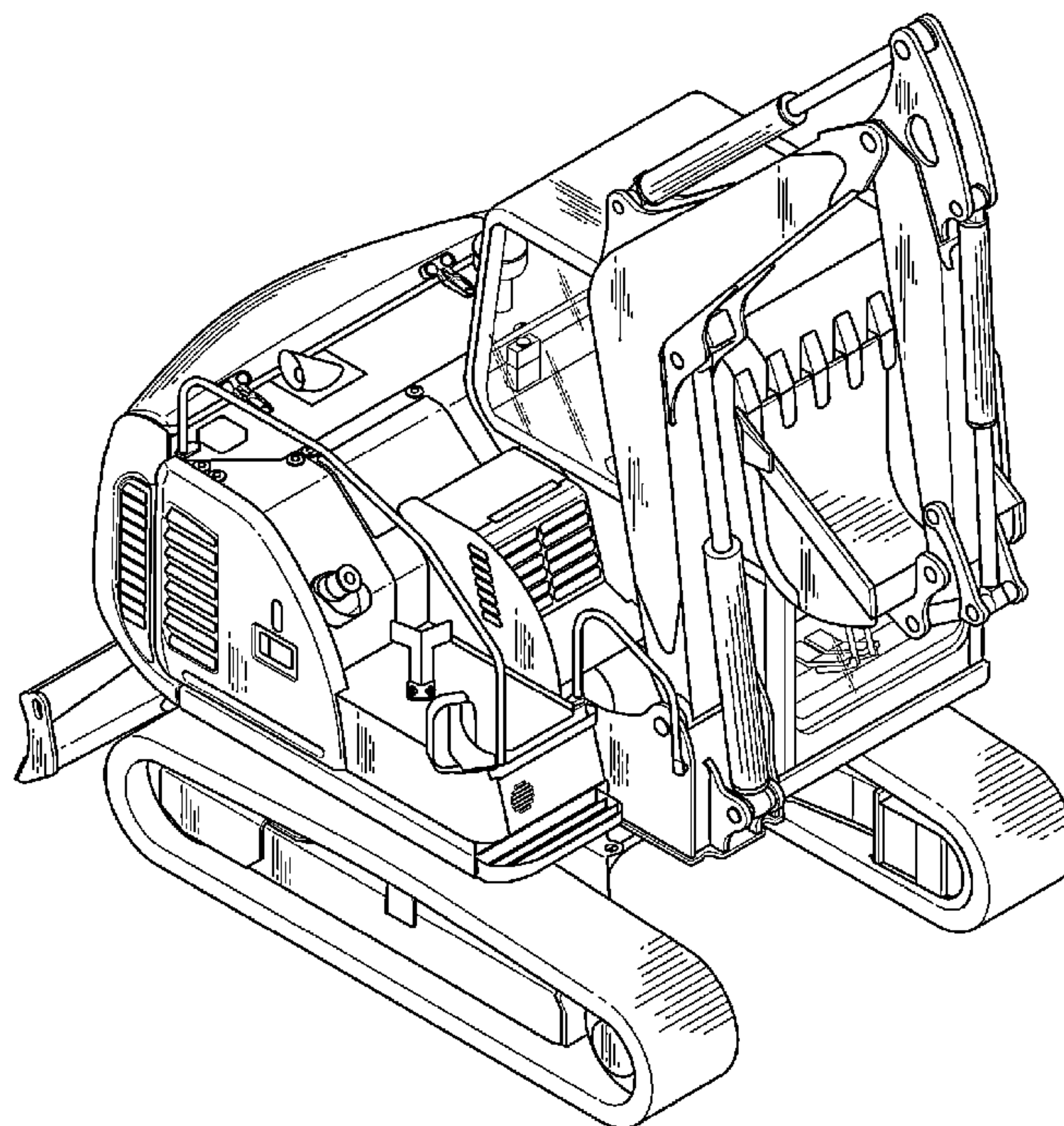
(57) **CLAIM**

The ornamental design for an excavator, as shown and described.

**DESCRIPTION**

FIG. 1 is a top front perspective view of an excavator showing our new design;  
FIG. 2 is a front view thereof;  
FIG. 3 is a rear view thereof;  
FIG. 4 is a left side view thereof;  
FIG. 5 is a right side view thereof;  
FIG. 6 is a top plan view thereof; and,  
FIG. 7 is a bottom plan view thereof.

**1 Claim, 7 Drawing Sheets**



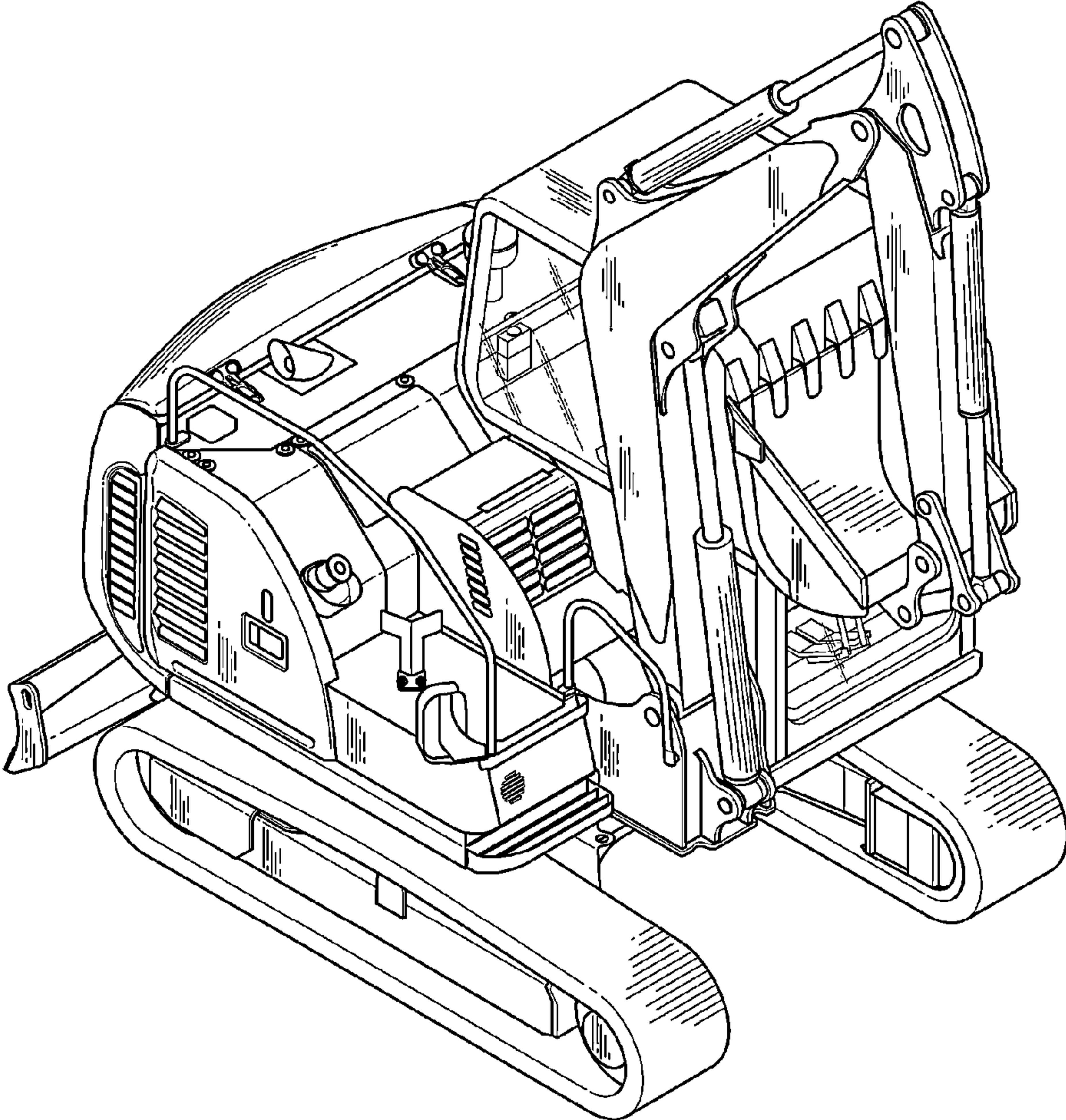


FIG. 1

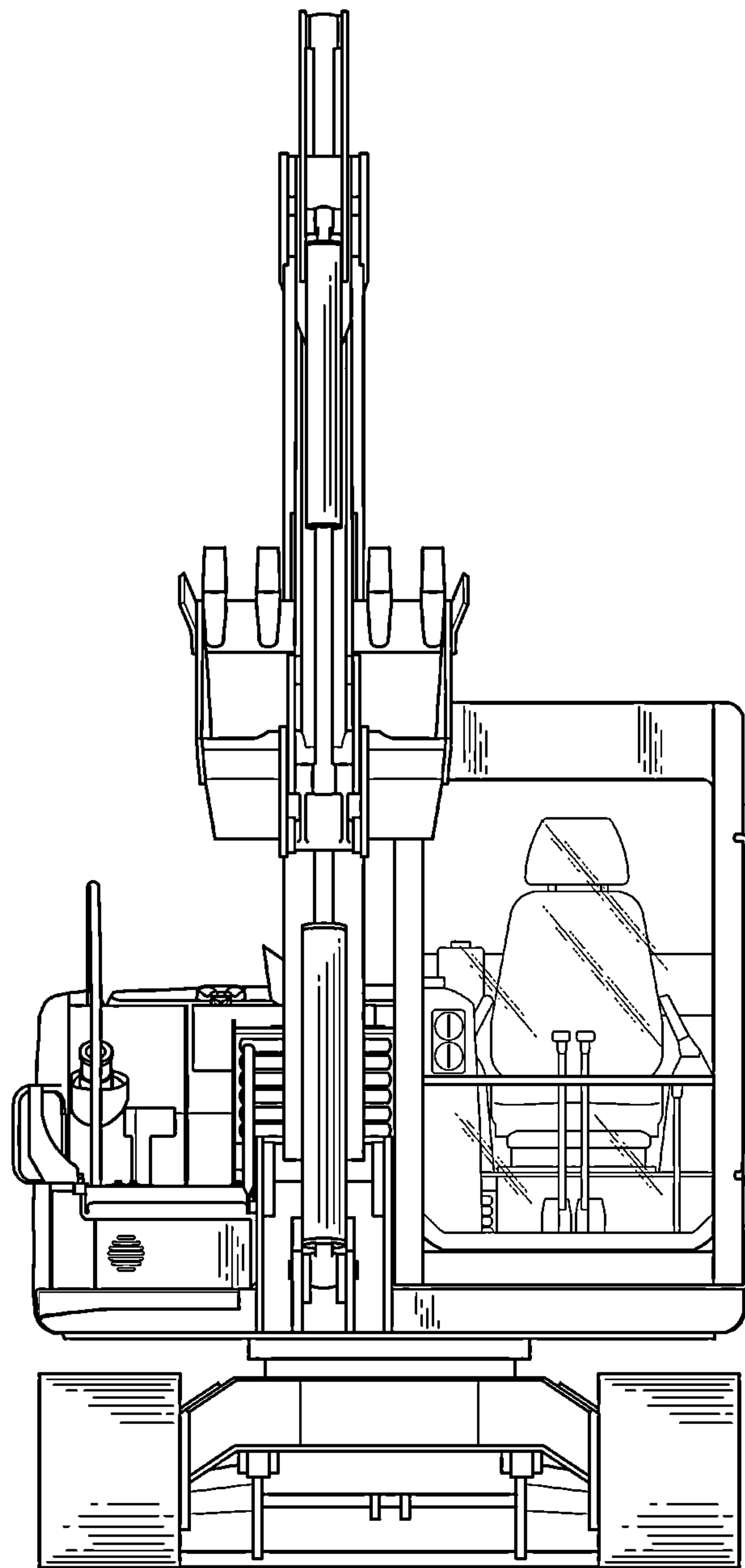


FIG. 2

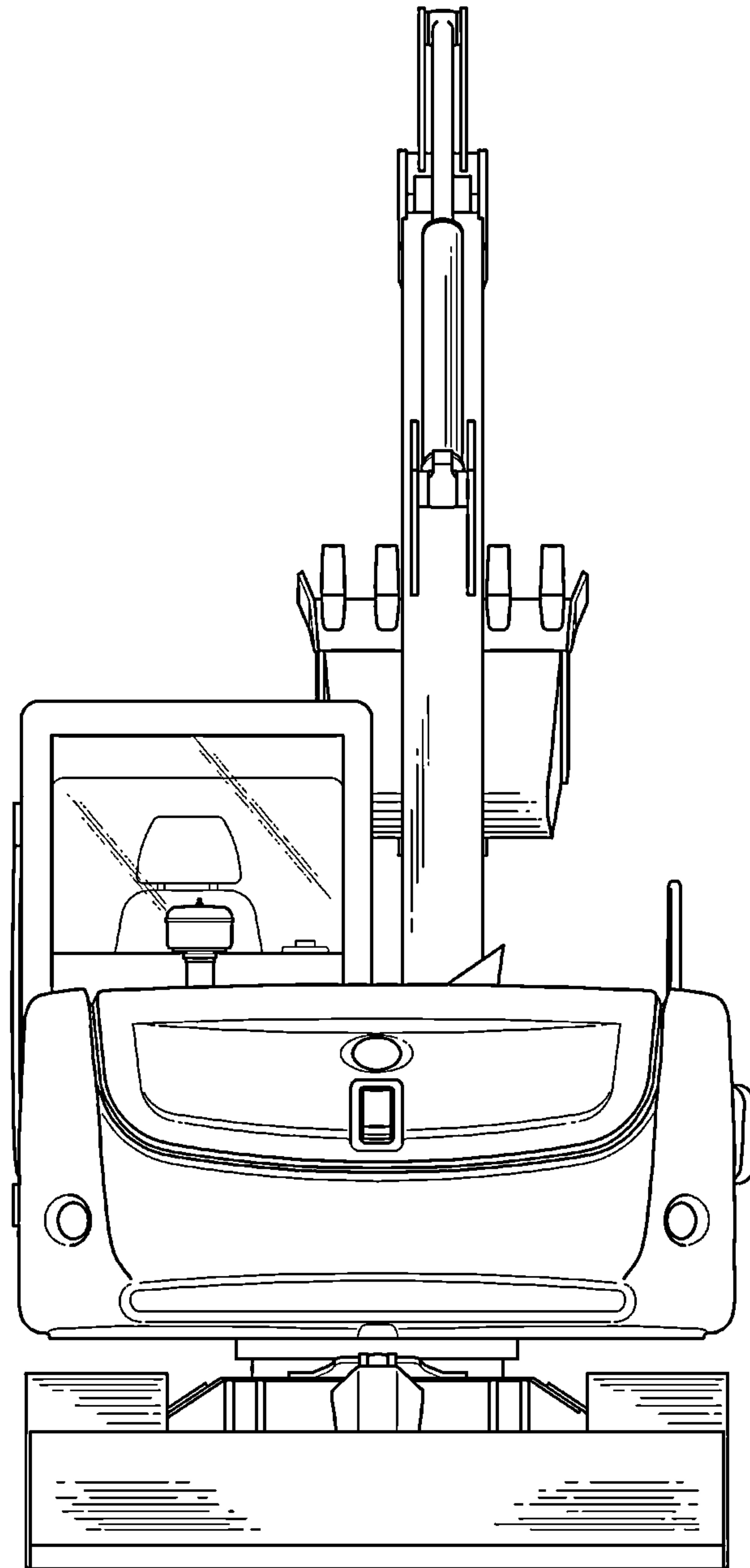


FIG. 3



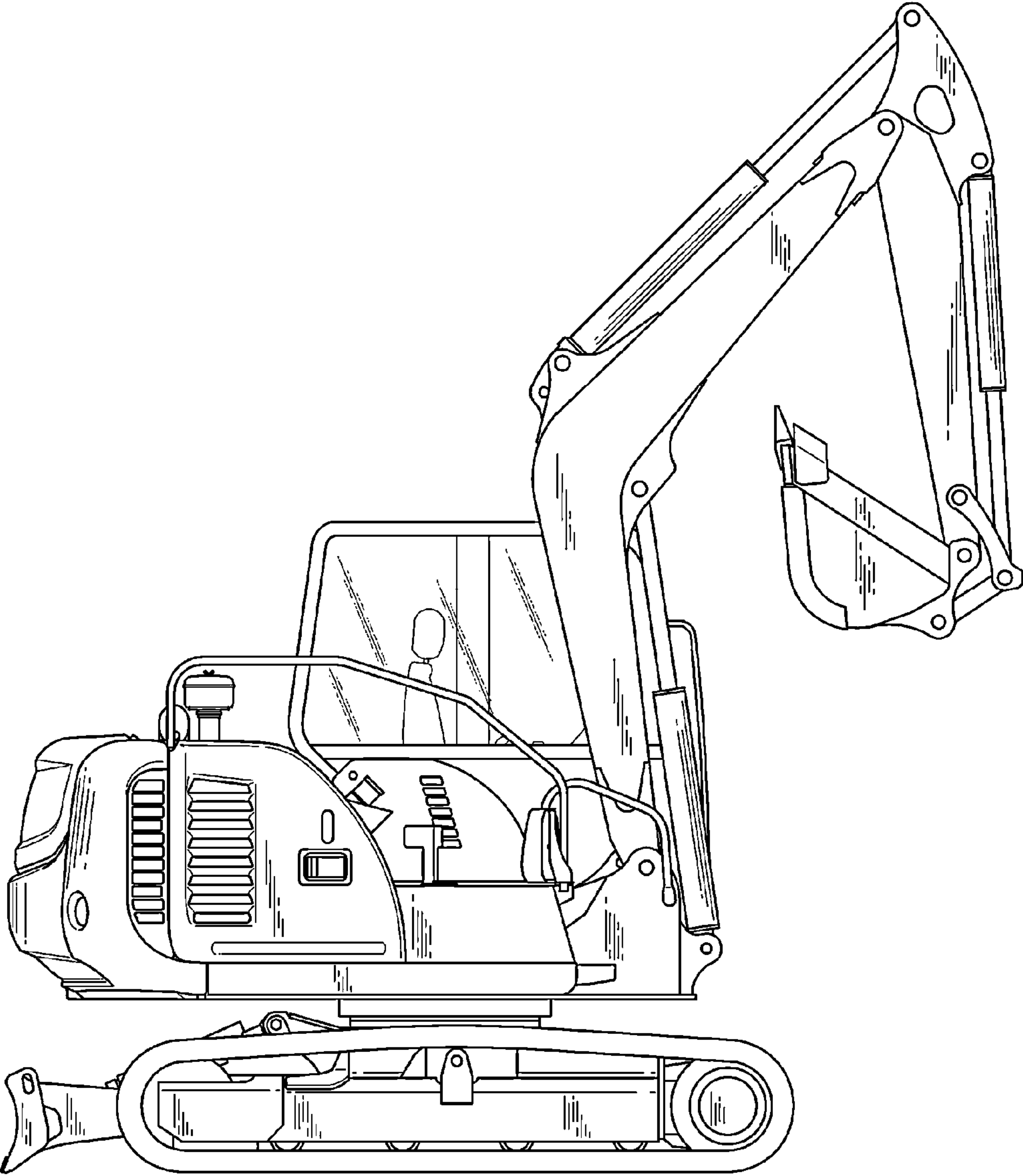


FIG. 4

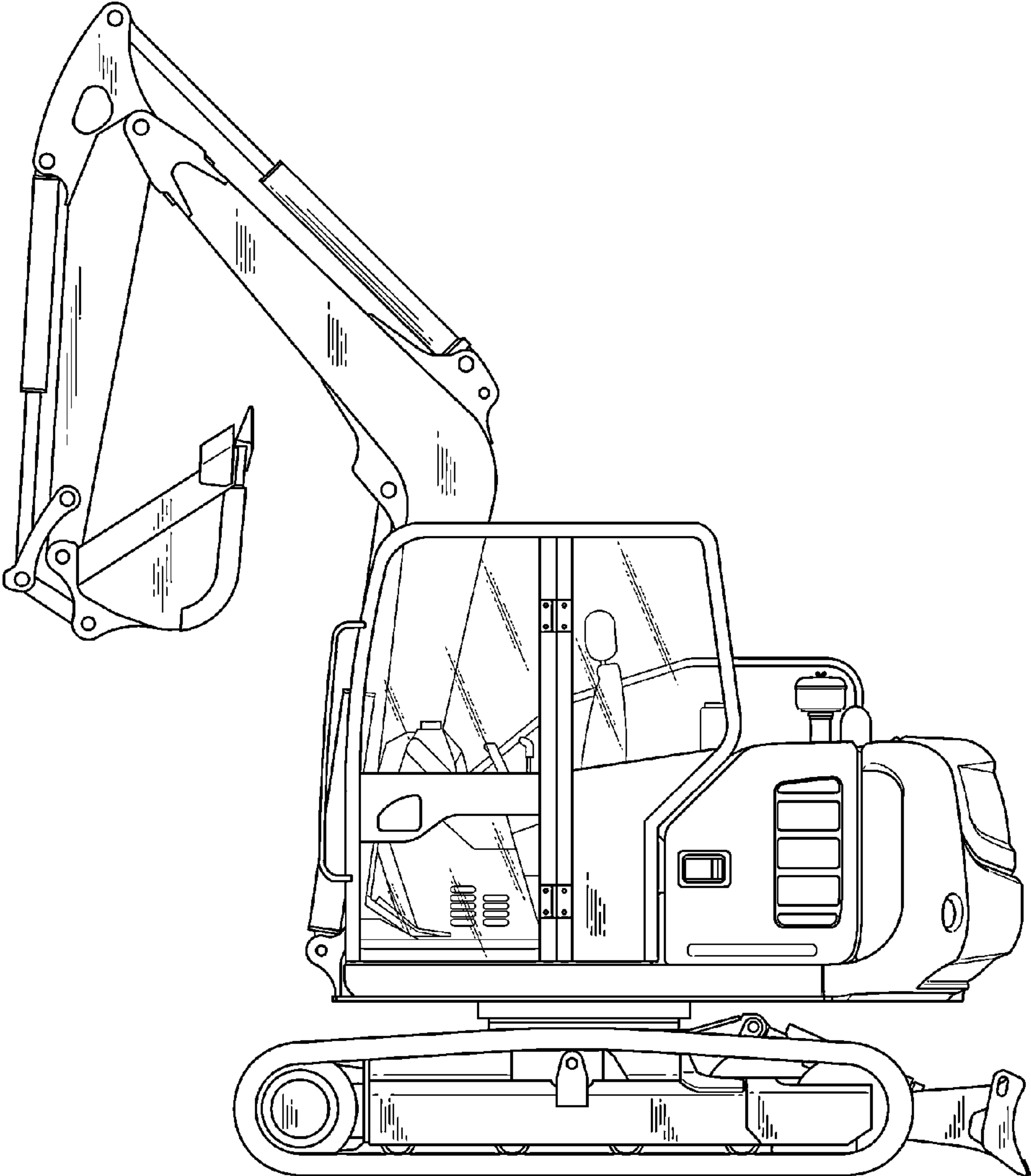


FIG. 5

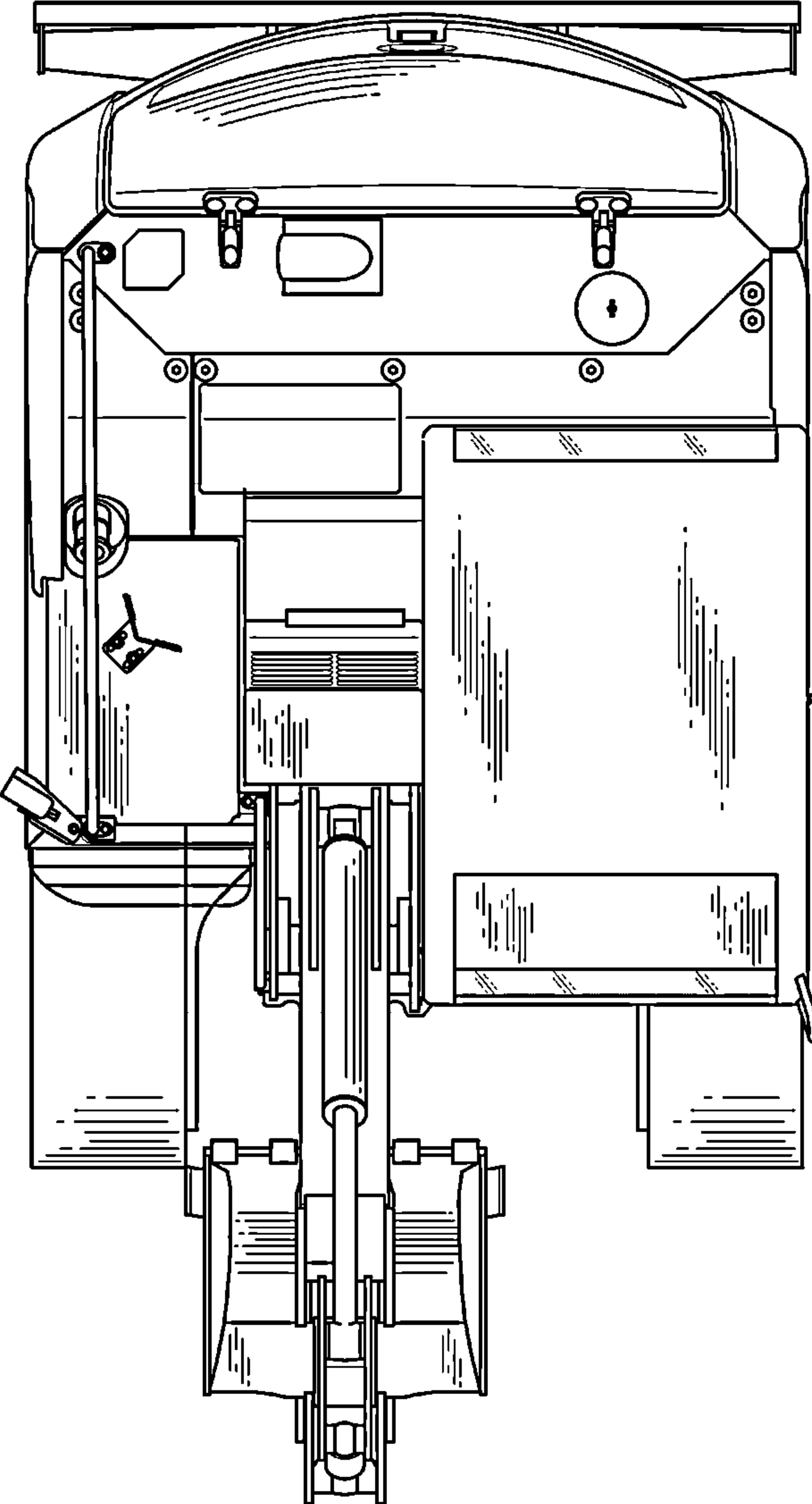


FIG. 6

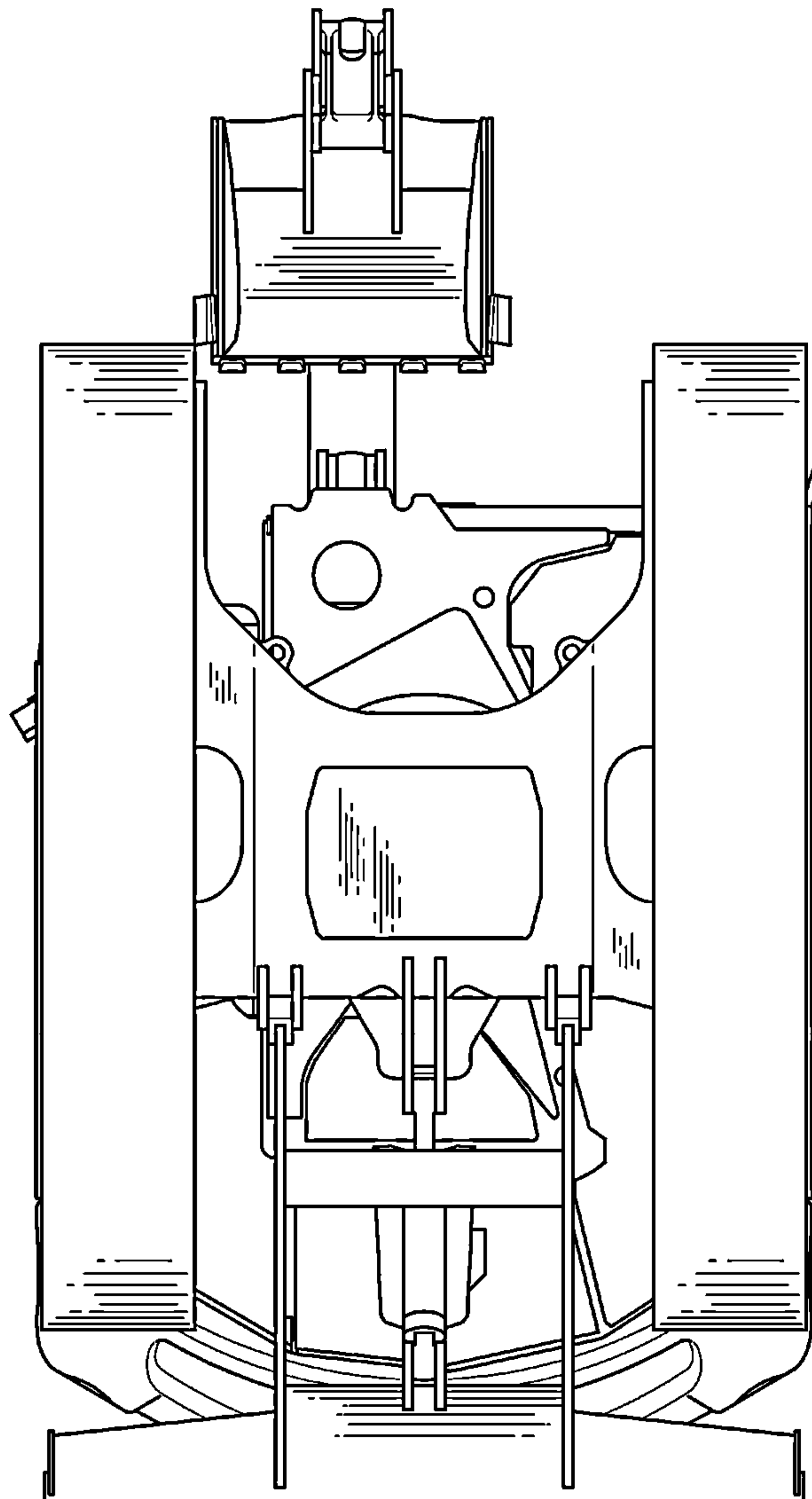


FIG. 7