

US00D685393S

(12) **United States Design Patent**  
**Prevost**

(10) **Patent No.:** **US D685,393 S**

(45) **Date of Patent:** **\*\* Jul. 2, 2013**

(54) **WATER PUMP ADAPTER**

(71) Applicant: **Clemon P. Prevost**, Texas City, TX (US)

(72) Inventor: **Clemon P. Prevost**, Texas City, TX (US)

(\*\*) Term: **14 Years**

(21) Appl. No.: **29/443,846**

(22) Filed: **Jan. 23, 2013**

**Related U.S. Application Data**

(62) Division of application No. 29/387,990, filed on Apr. 20, 2011, now Pat. No. Des. 678,911.

(51) **LOC (9) Cl.** ..... **15-02**

(52) **U.S. Cl.**  
USPC ..... **D15/7**

(58) **Field of Classification Search**  
USPC ..... D15/7-9; D23/231, 232, 225; 417/60,  
417/235, 265, 321, 355, 358, 363, 359, 410.1,  
417/415-416, 405, 900; 60/408, 412;  
184/26-37; 415/140-147; 123/495, 509  
See application file for complete search history.

(56) **References Cited**

**U.S. PATENT DOCUMENTS**

D97,647 S *	11/1935	Miller	.....	D23/231
D254,671 S *	4/1980	Johnson et al.	.....	D15/7
D258,590 S *	3/1981	Shaw	.....	D15/7
D280,823 S *	10/1985	Maruyama	.....	D15/7
D280,902 S *	10/1985	Maruyama	.....	D15/7
D280,991 S *	10/1985	Maruyama	.....	D15/7
D280,992 S *	10/1985	Maruyama	.....	D15/7
D295,522 S *	5/1988	Martin et al.	.....	D15/7
D299,720 S *	2/1989	Yoo	.....	D15/7
D318,055 S *	7/1991	Tomlinson	.....	D15/5
D327,275 S *	6/1992	Sheldon	.....	D15/7

D355,199 S *	2/1995	Ousey	.....	D15/7
D356,799 S *	3/1995	Gardner	.....	D15/4
D361,575 S *	8/1995	Makino	.....	D15/7
D440,229 S *	4/2001	Balint	.....	D15/7
D456,819 S *	5/2002	Sebion et al.	.....	D15/7
D461,827 S *	8/2002	Koebbe	.....	D15/7
D471,563 S *	3/2003	Selic et al.	.....	D15/7
D472,558 S *	4/2003	MacPherson et al.	.....	D15/7
D497,915 S *	11/2004	Bowen	.....	D15/7
D500,505 S *	1/2005	Selic et al.	.....	D15/2
D506,210 S *	6/2005	Selic et al.	.....	D15/7
D526,664 S *	8/2006	Bowen	.....	D15/7
D557,286 S *	12/2007	Pedrollo	.....	D15/7
D583,389 S *	12/2008	Bilger	.....	D15/7
D584,320 S *	1/2009	Huang	.....	D15/7
D623,200 S *	9/2010	Fulkerson et al.	.....	D15/7
D643,442 S *	8/2011	Sato et al.	.....	D15/9

\* cited by examiner

*Primary Examiner* — Ralf Seifert

(74) *Attorney, Agent, or Firm* — Bushman & Associates, P.C.

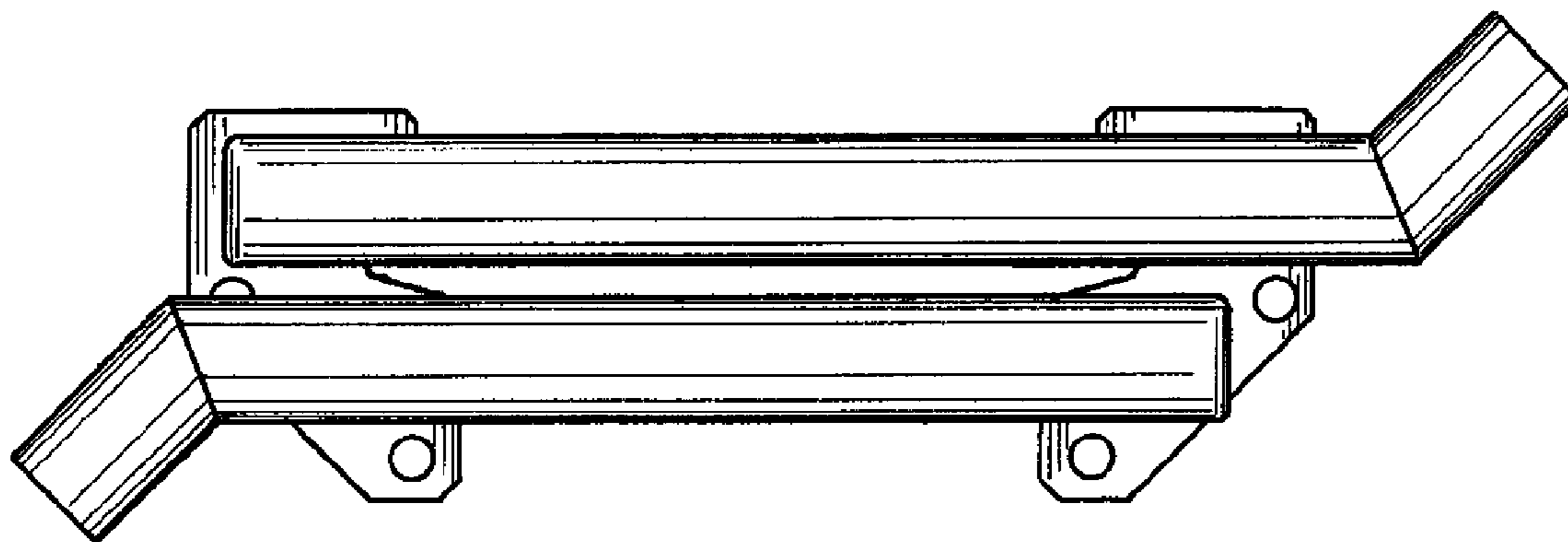
(57) **CLAIM**

The ornamental design for a water pump adapter, as shown and described.

**DESCRIPTION**

FIG. 1 is a front view of another embodiment of the water pump adapter of the present invention;  
FIG. 2 is a front view of another embodiment of the water pump adapter of the present invention;  
FIG. 3 is a front view of another embodiment of the water pump adapter of the present invention;  
FIG. 4 is a front view of another embodiment of the water pump adapter of the present invention; and,  
FIG. 5 is a front view of another embodiment of the water pump adapter of the present invention.

**1 Claim, 2 Drawing Sheets**



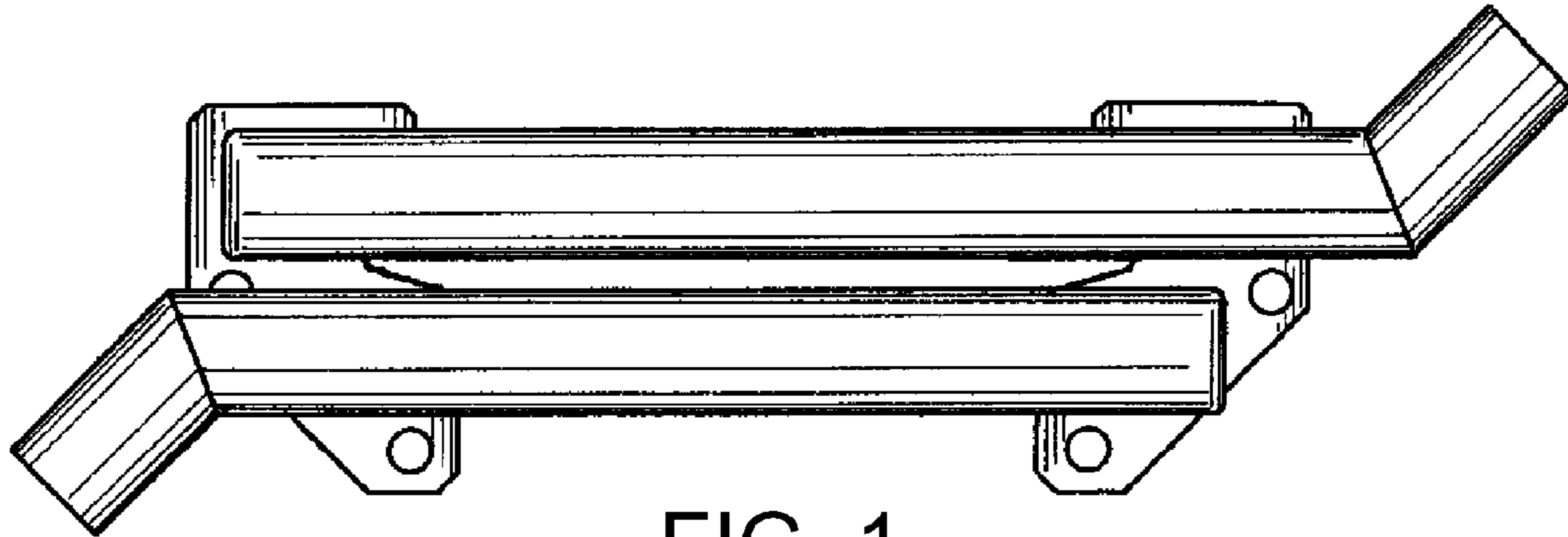


FIG. 1

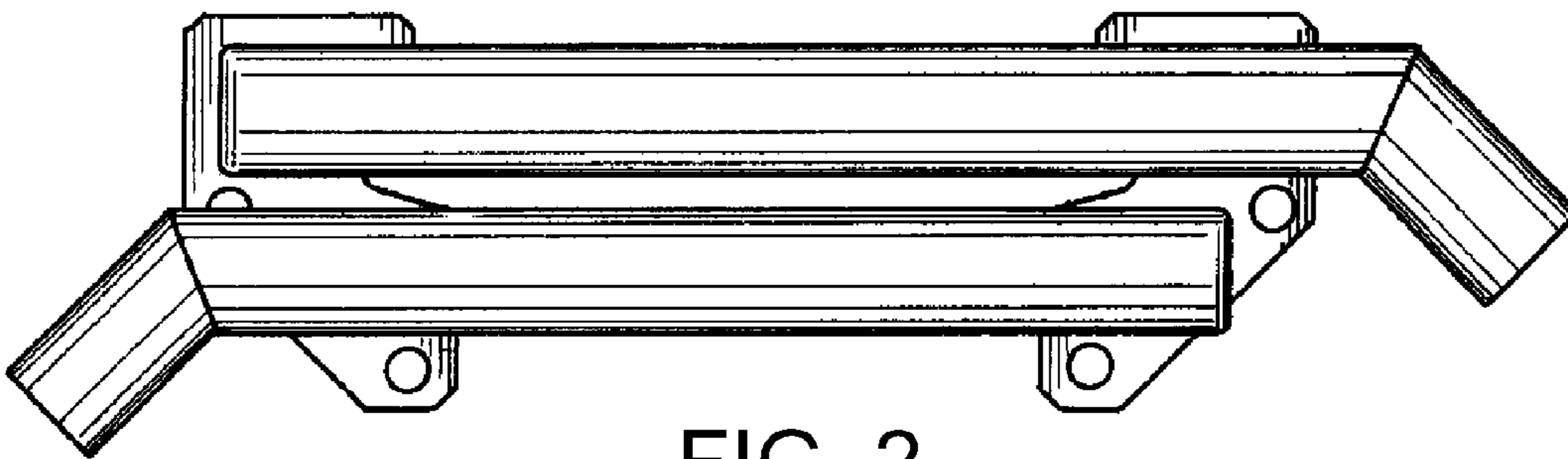


FIG. 2

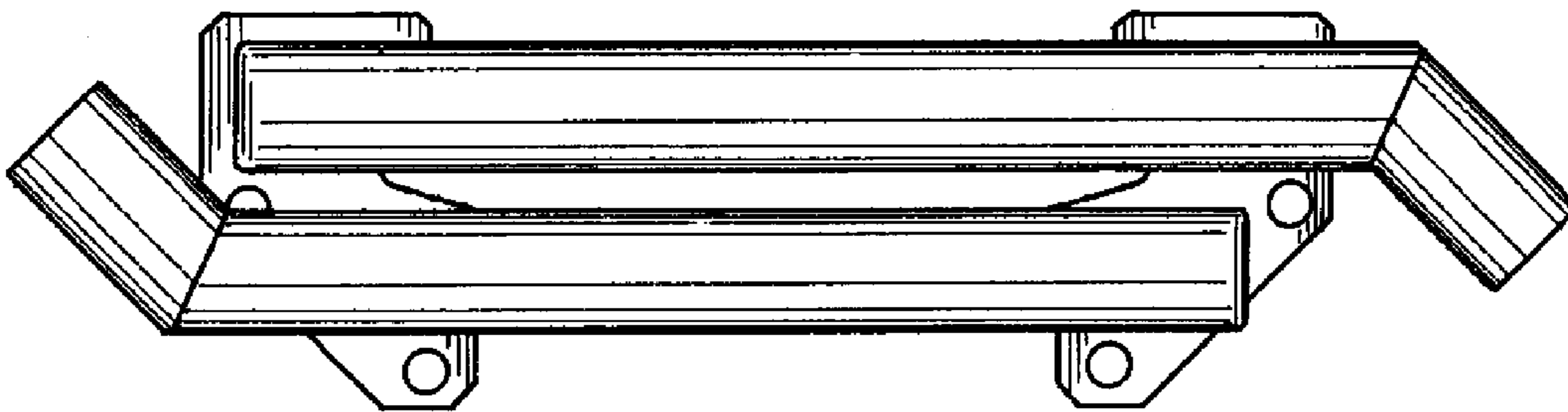


FIG. 3

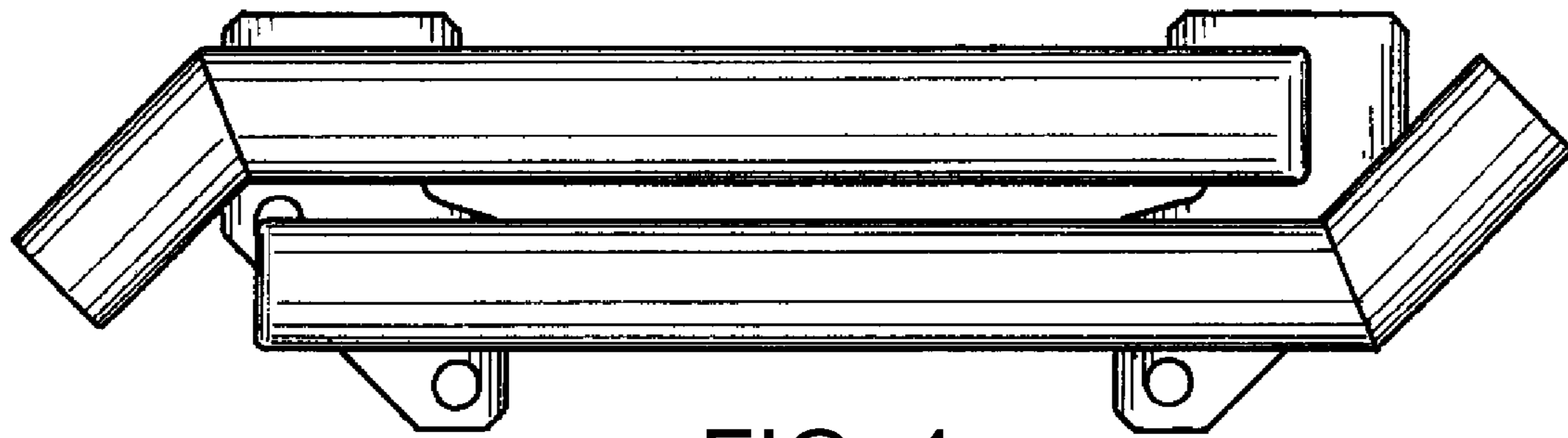


FIG. 4

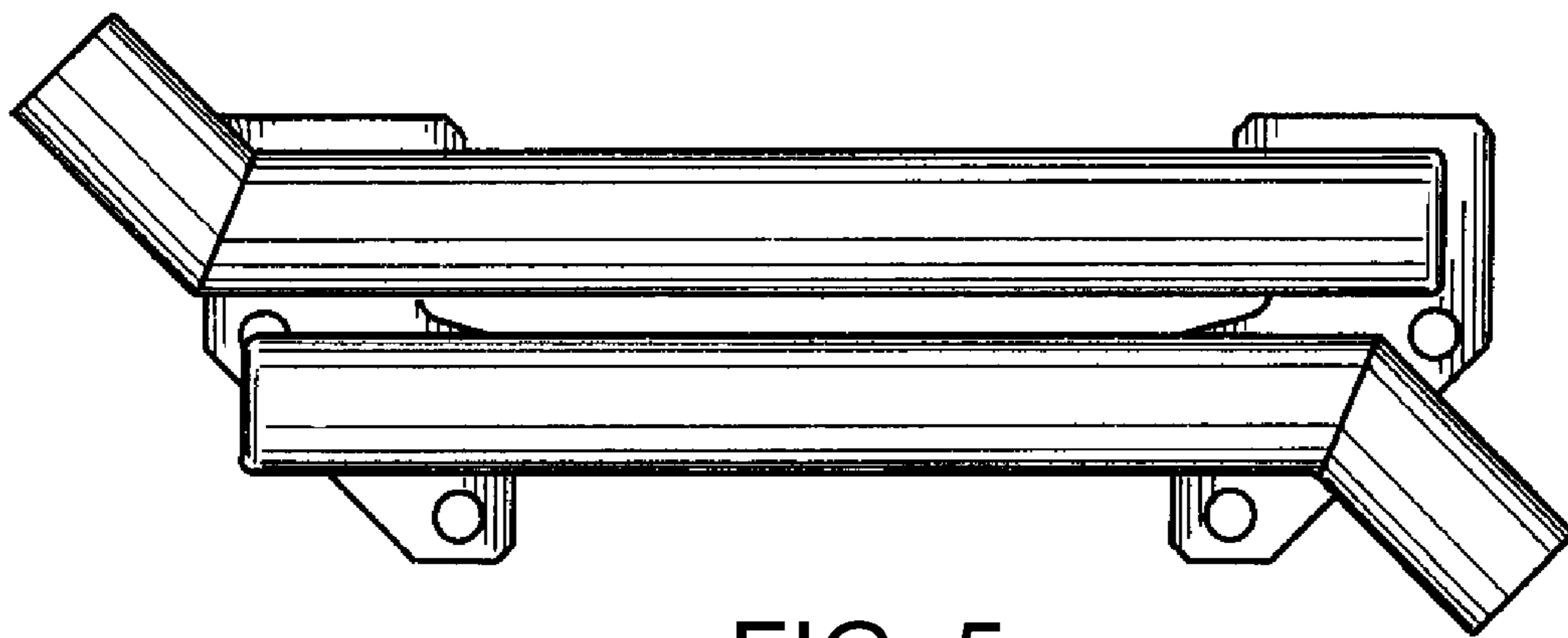


FIG. 5