



US00D685383S

(12) **United States Design Patent**
Anderson et al.

(10) **Patent No.:** **US D685,383 S**
(45) **Date of Patent:** **** Jul. 2, 2013**

(54) **USB DRIVE WITH LED INDICATOR**

- (71) Applicant: **Leef, Ltd.**, Alamo, CA (US)
- (72) Inventors: **Jon Lee Anderson**, Salt Lake City, UT (US); **David J. Smurthwaite**, Salt Lake City, UT (US)
- (73) Assignee: **Leef, Ltd.**, Alamo, CA (US)
- (**) Term: **14 Years**
- (21) Appl. No.: **29/435,715**
- (22) Filed: **Oct. 26, 2012**

- (51) **LOC (9) Cl.** **14-02**
- (52) **U.S. Cl.**
USPC **D14/480.5**
- (58) **Field of Classification Search**
USPC D14/411, 433, 435.1, 436, 480.1–480.7,
D14/484.1, 137, 155, 203.1–203.8, 240;
D13/133, 154; 361/679.31, 679.33, 679.4,
361/752; 439/131, 135–147; 710/300, 301;
711/100, 115

See application file for complete search history.

(56) **References Cited**

U.S. PATENT DOCUMENTS

D420,674	S *	2/2000	Powell	D14/240
6,904,493	B2 *	6/2005	Chiao et al.	711/103
D532,776	S *	11/2006	Griffin	D14/435.1
D538,280	S *	3/2007	Sugita	D14/480.5
D576,619	S *	9/2008	Udagawa et al.	D14/435.1
7,503,780	B1 *	3/2009	Huang	439/135
D624,551	S *	9/2010	Cohen	D14/480.5
D631,885	S *	2/2011	Maier	D14/435.1
8,029,302	B1 *	10/2011	Duan	439/142
8,305,750	B2 *	11/2012	Hsieh	361/679.33

OTHER PUBLICATIONS

Elecom MF-DU204G 0.85" USB Hard Drive, [online] posted Feb. 14, 2006 [retrieved on Dec. 13, 2006]. Retrieved from the Internet <URL: <http://www.gearlive.com/index.php/news/category/USB/P40/>>.*

* cited by examiner

Primary Examiner — Karen E Kearney

(74) *Attorney, Agent, or Firm* — Perkins Coie LLP

(57) **CLAIM**

The ornamental design for a USB drive with LED indicator, as shown and described.

DESCRIPTION

FIG. 1 is a perspective view of the ornamental design for a USB drive with LED indicator, as seen from the front, top side;

FIG. 2 is a front elevational view thereof;

FIG. 3 is a rear elevational view thereof;

FIG. 4 is a right side elevational view thereof;

FIG. 5 is a left side elevational view thereof;

FIG. 6 is a top plan view thereof;

FIG. 7 is a bottom plan view thereof;

FIG. 8 is a perspective view of the ornamental design for the USB drive with LED indicator, as seen from the front, top side, with a cap of the USB drive with LED indicator removed;

FIG. 9 is a front elevational view thereof, with the cap removed;

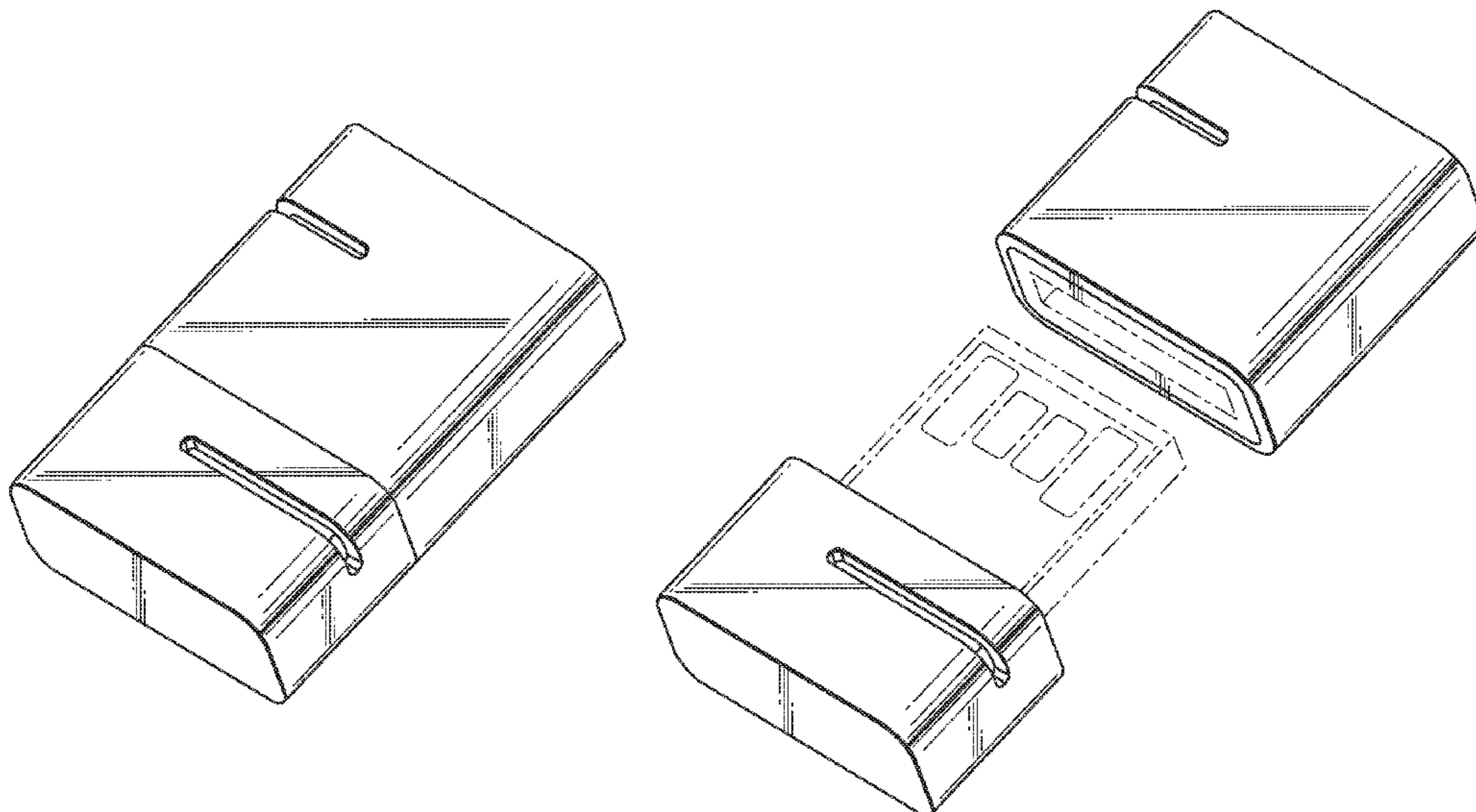
FIG. 10 is a rear elevational view thereof, with the cap removed;

FIG. 11 is a right side elevational thereof, with the cap removed view;

FIG. 12 is a left side elevational view thereof, with the cap removed;

FIG. 13 is a top plan view thereof, with the cap removed; and, FIG. 14 is a bottom plan view thereof, with the cap removed. The broken line showings of the connector and portion of the cap are included for the purpose of illustrating portions of the USB drive with LED indicator and form no part of the claimed design.

1 Claim, 6 Drawing Sheets



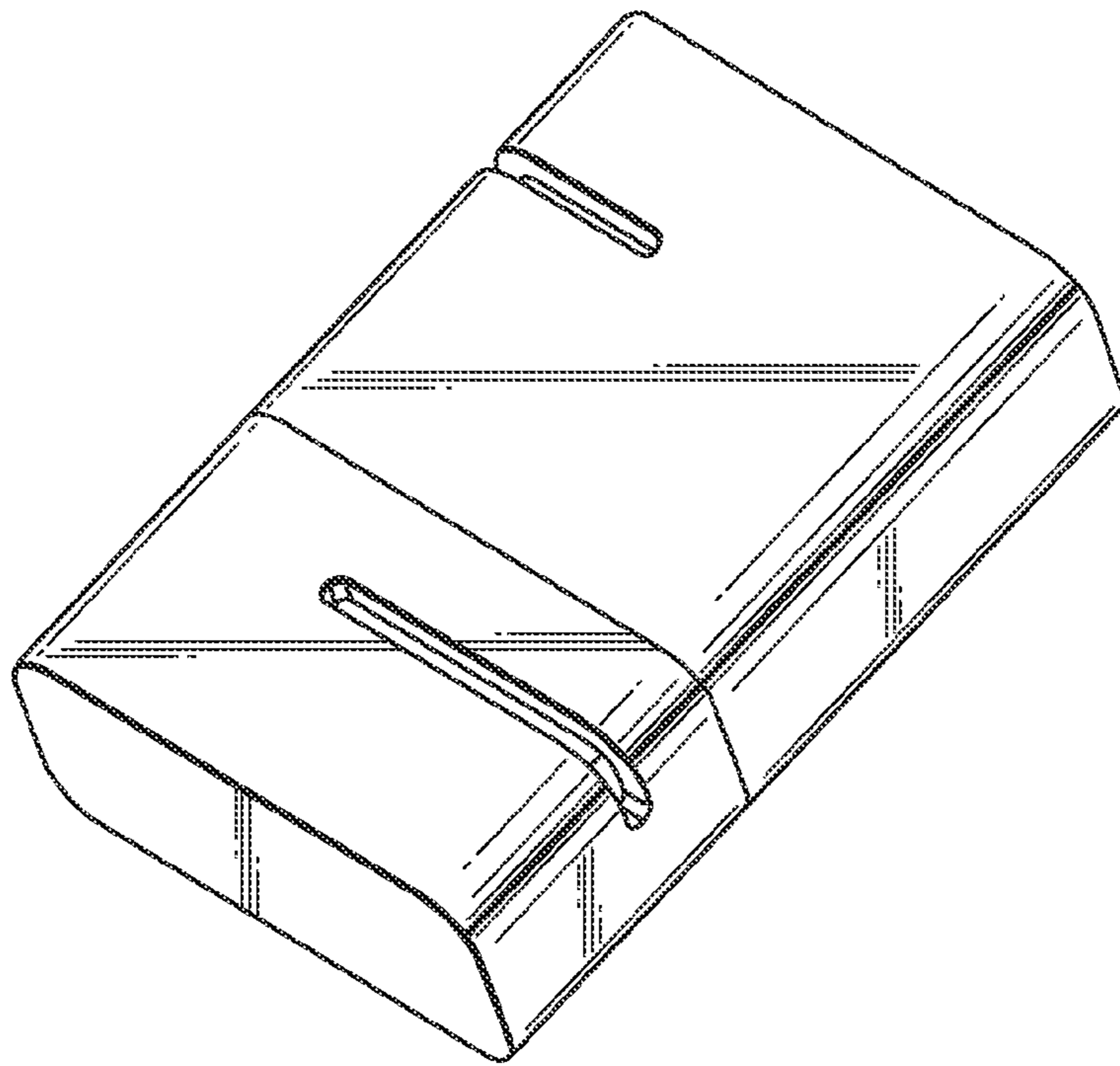


FIG. 1

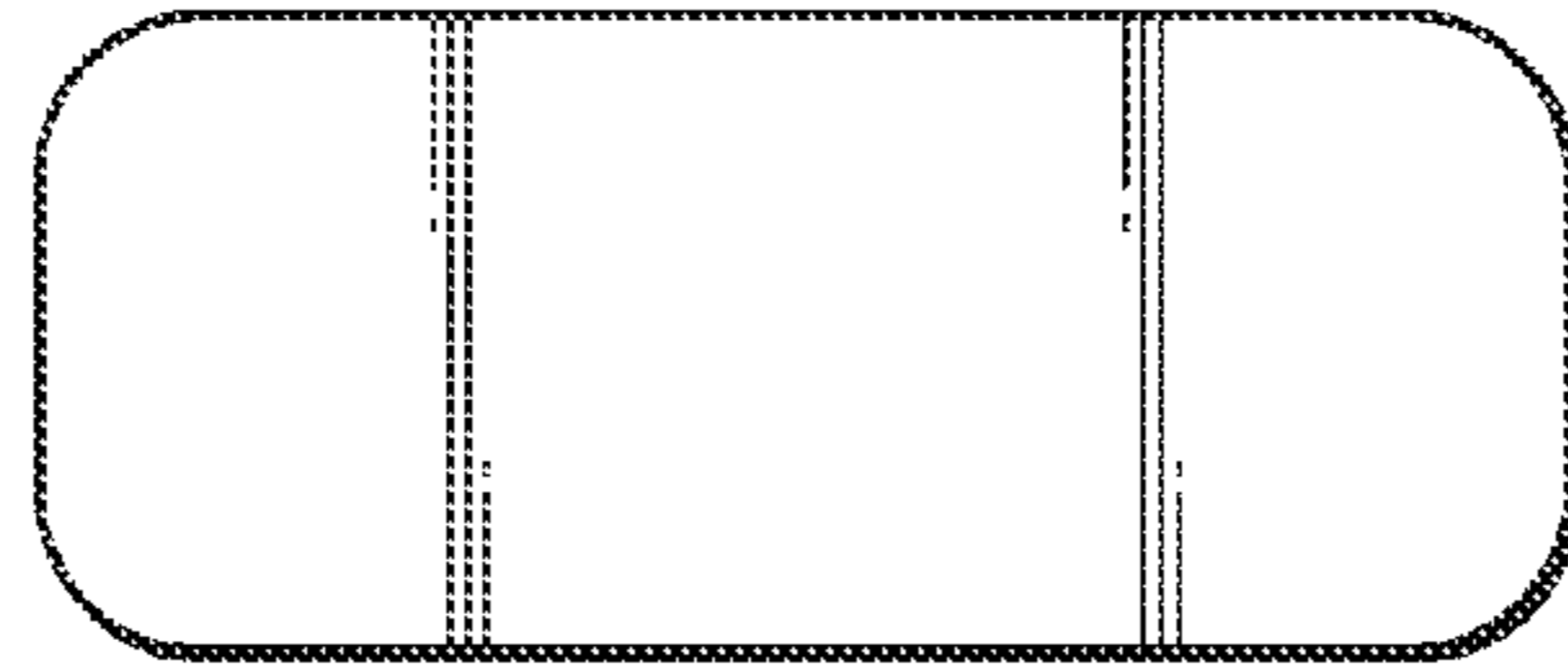


FIG. 2

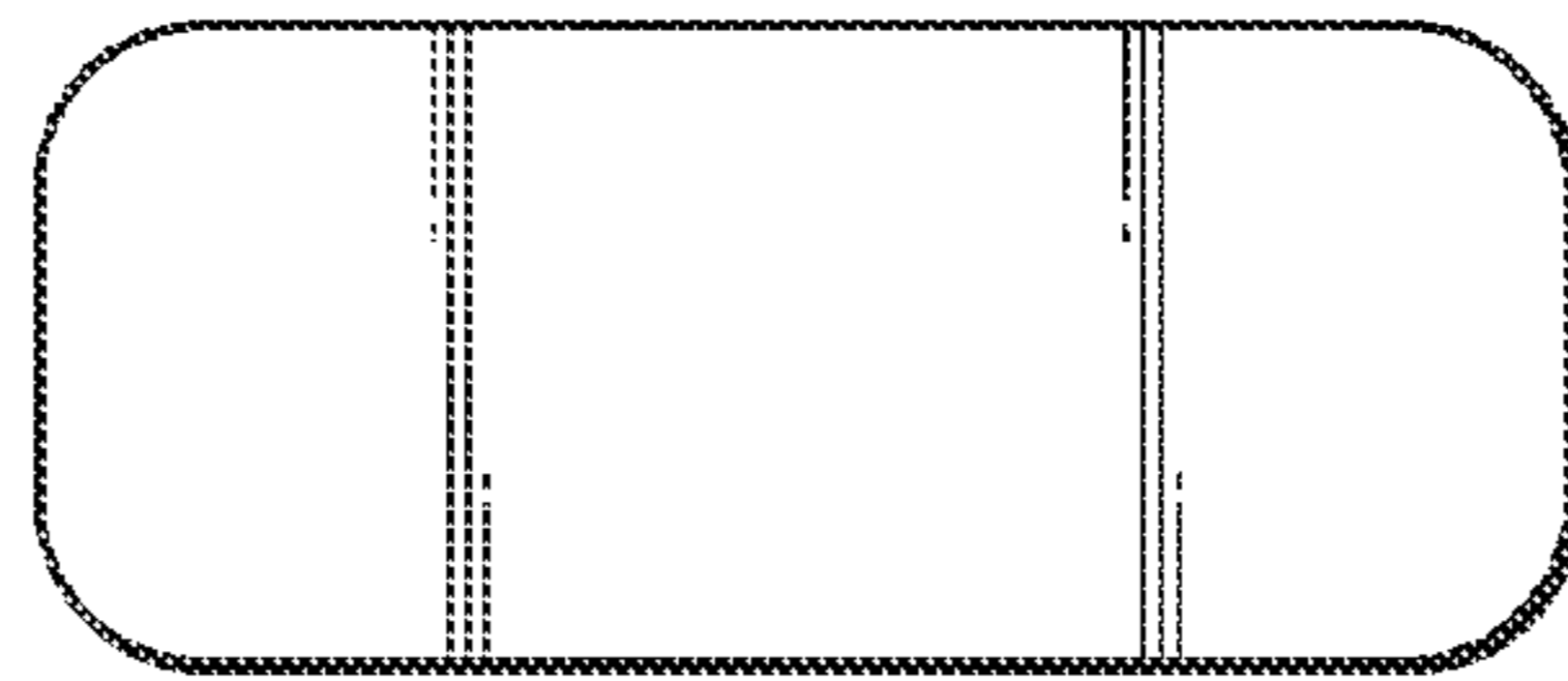


FIG. 3

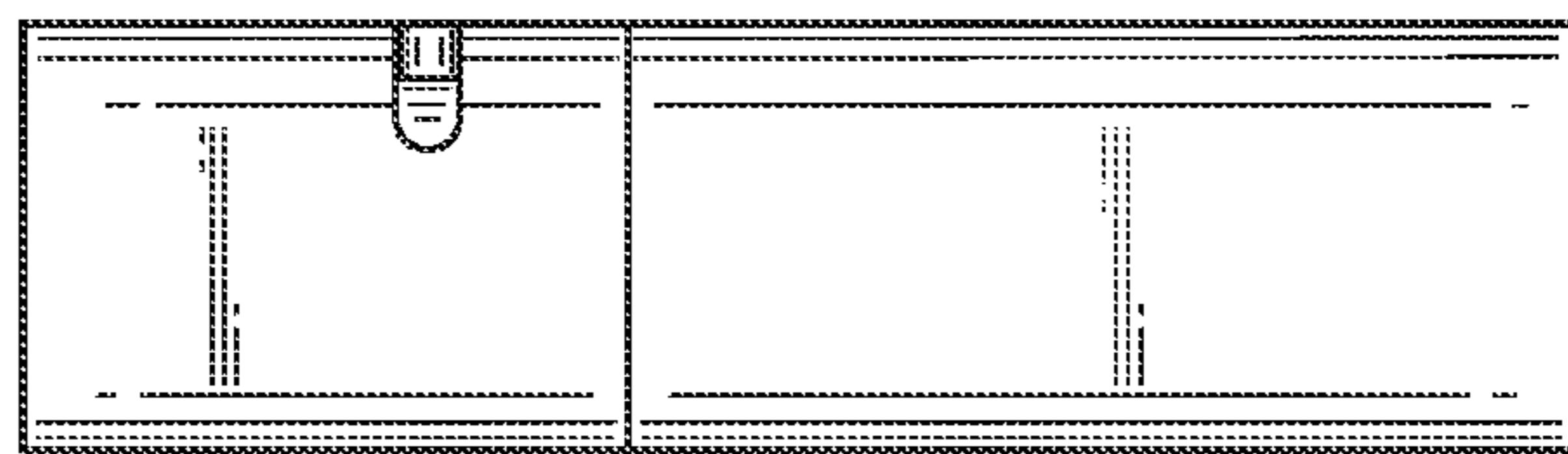


FIG. 4

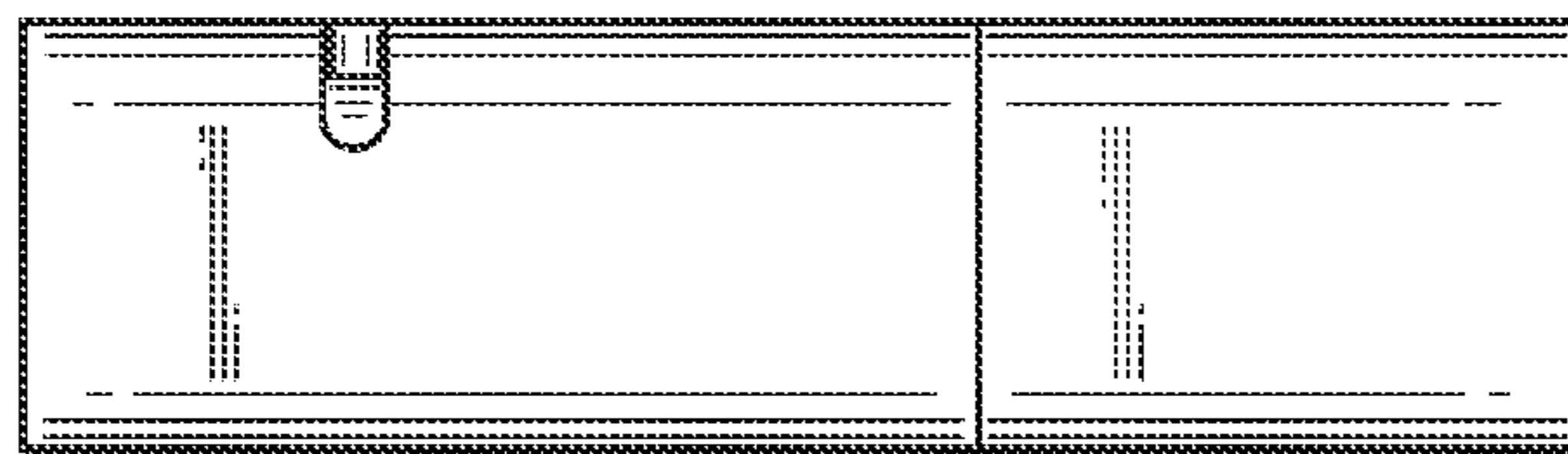


FIG. 5

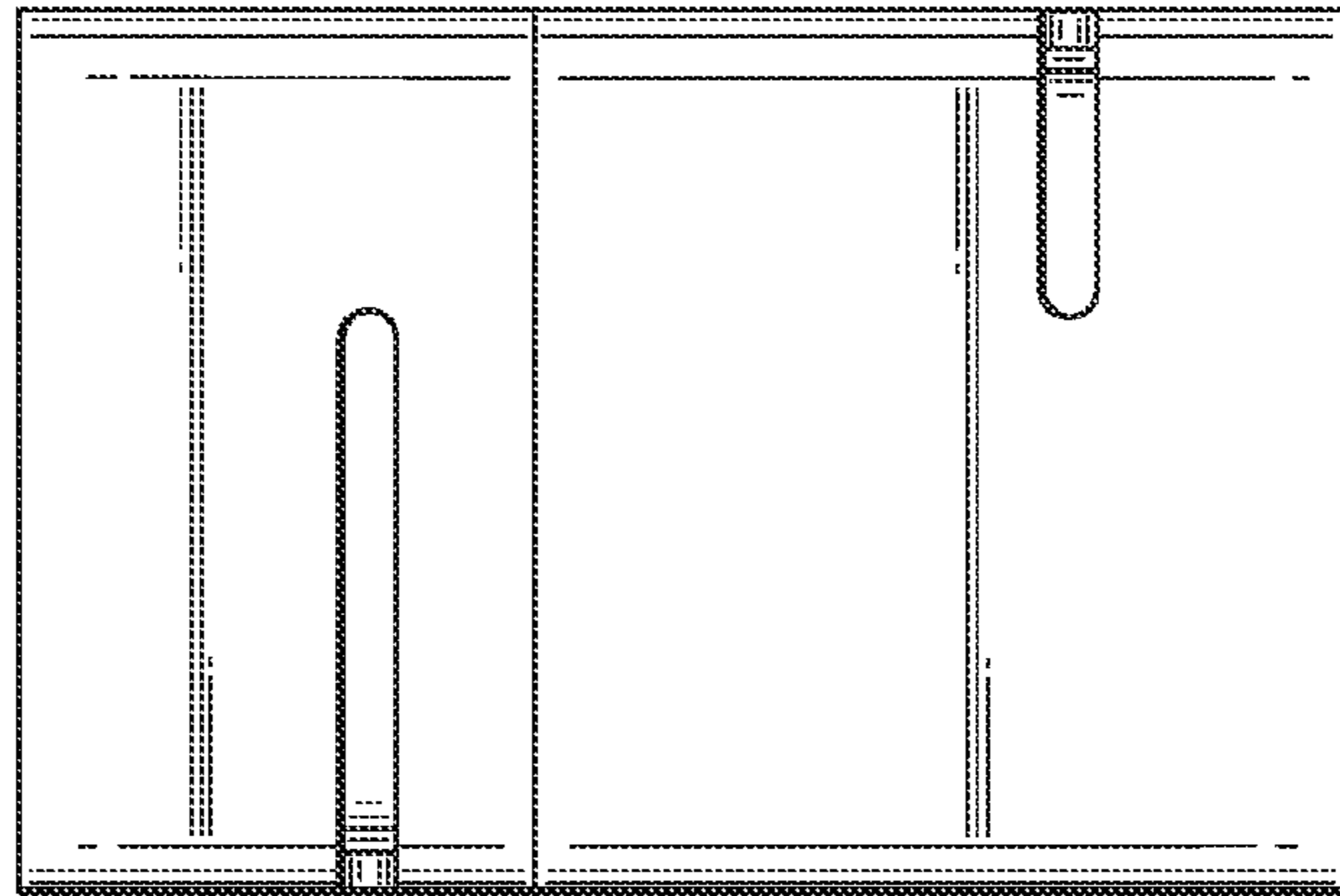


FIG. 6

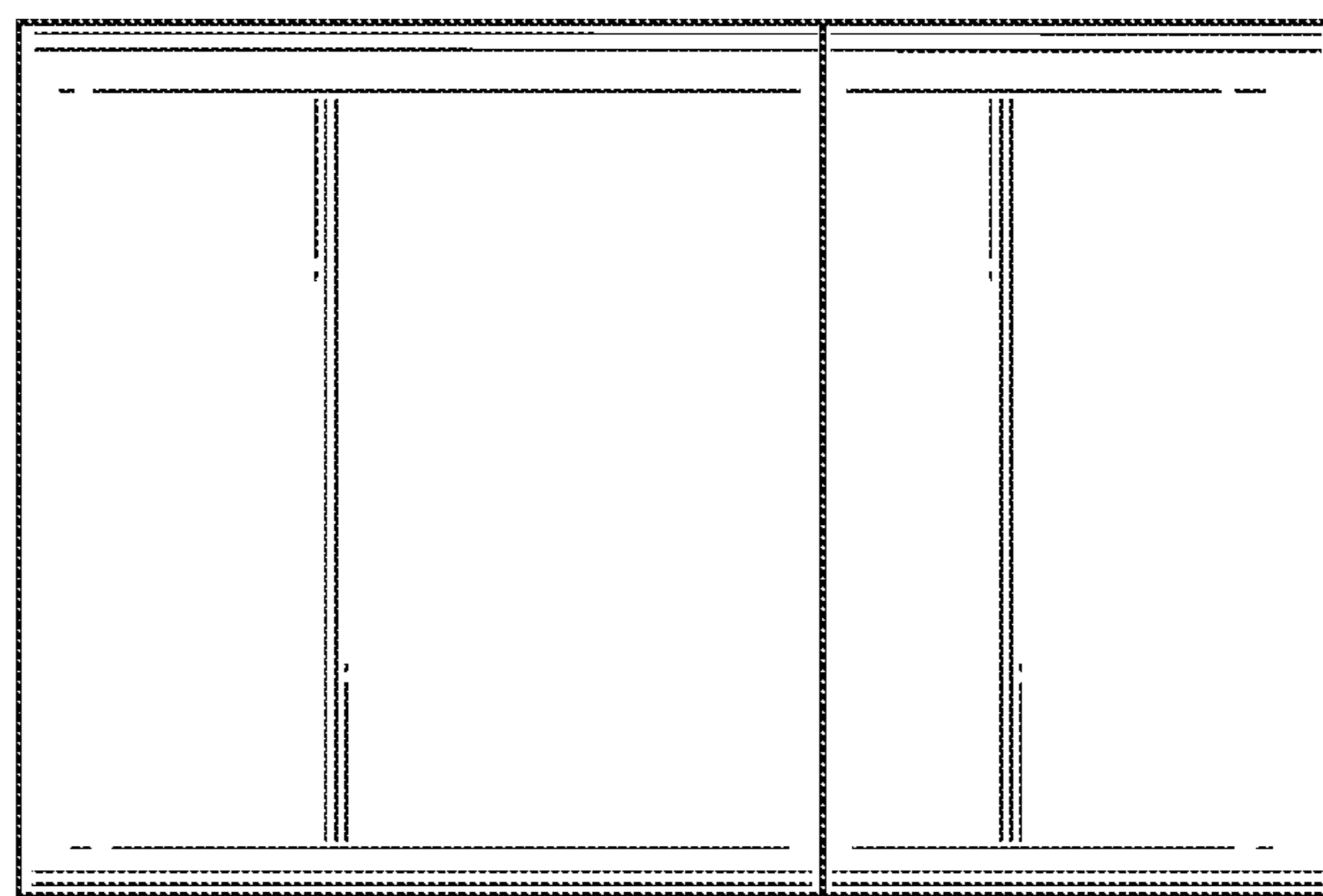


FIG. 7

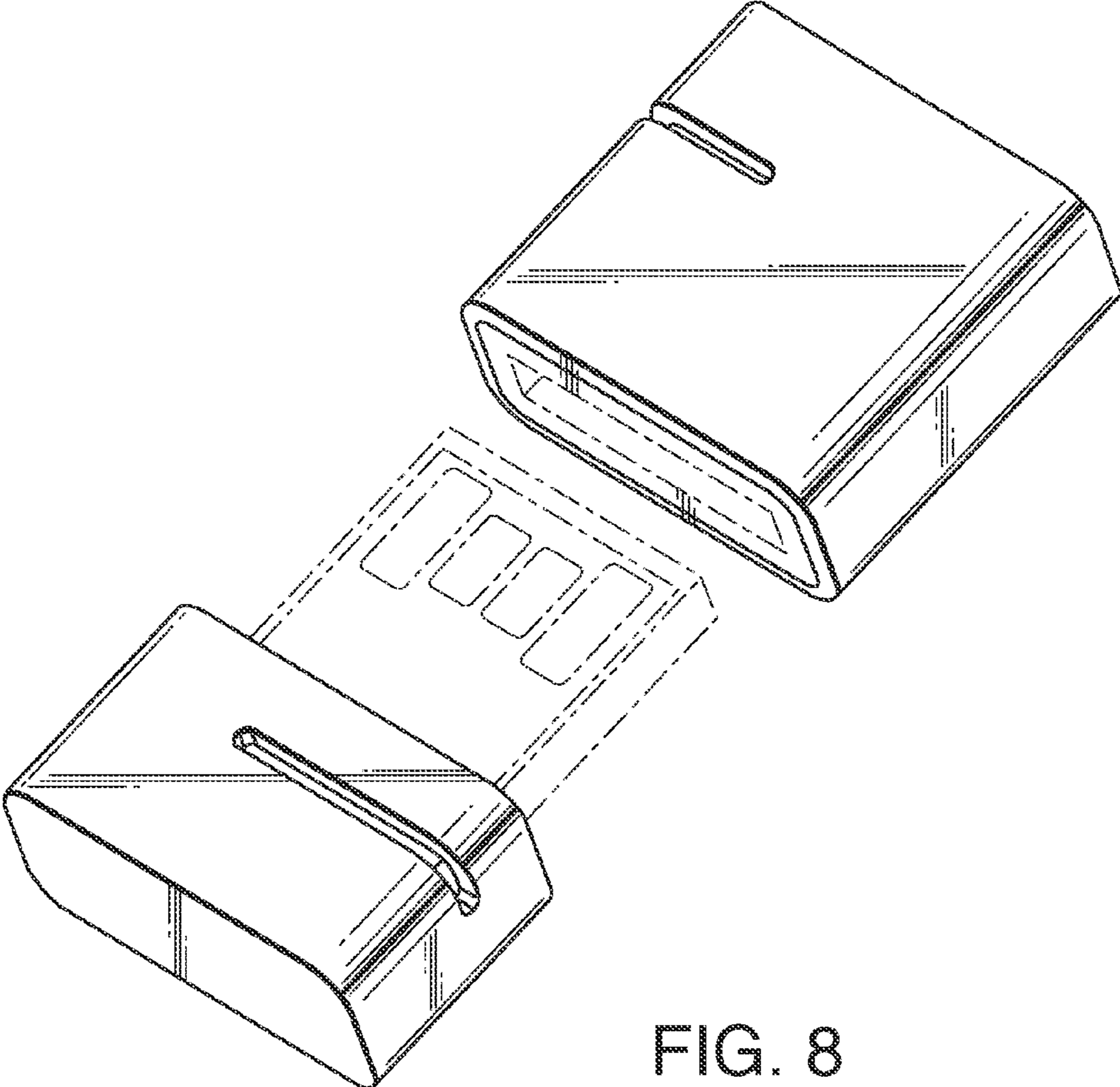


FIG. 8

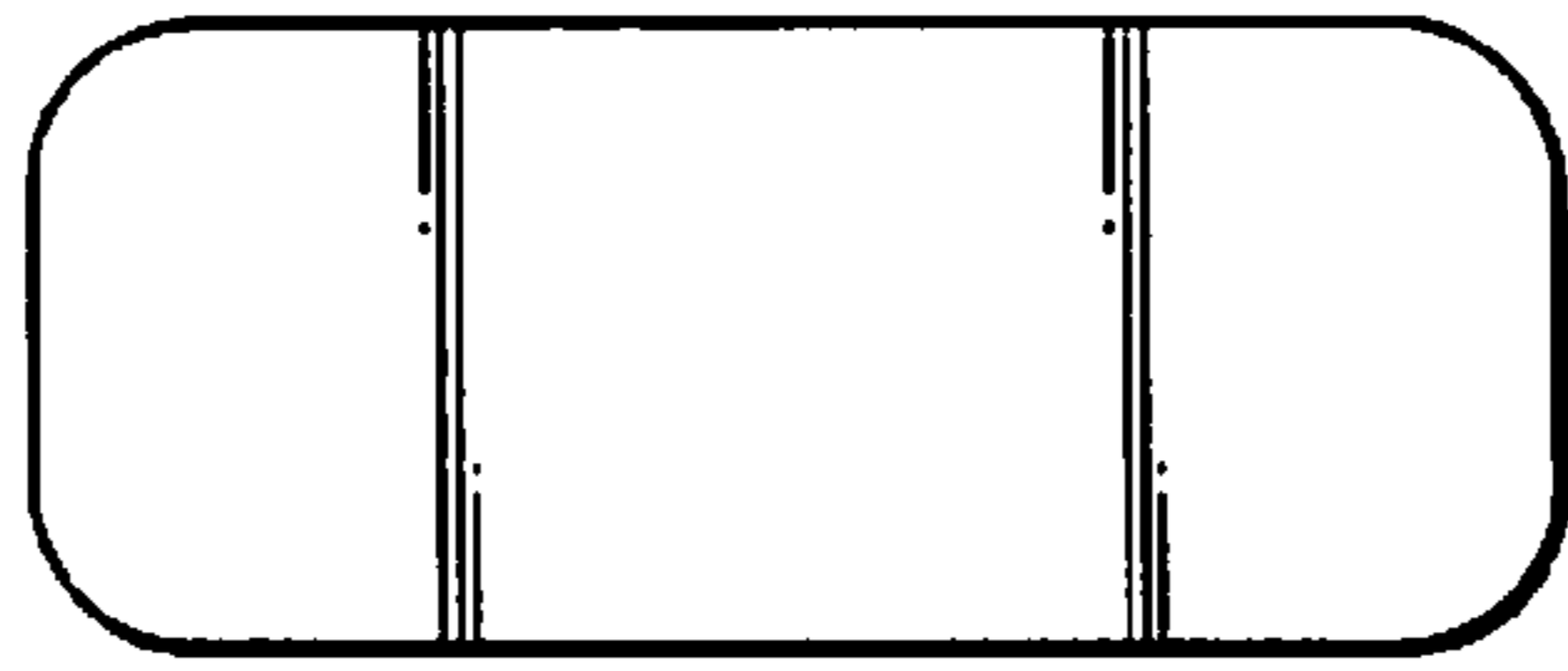


FIG. 9

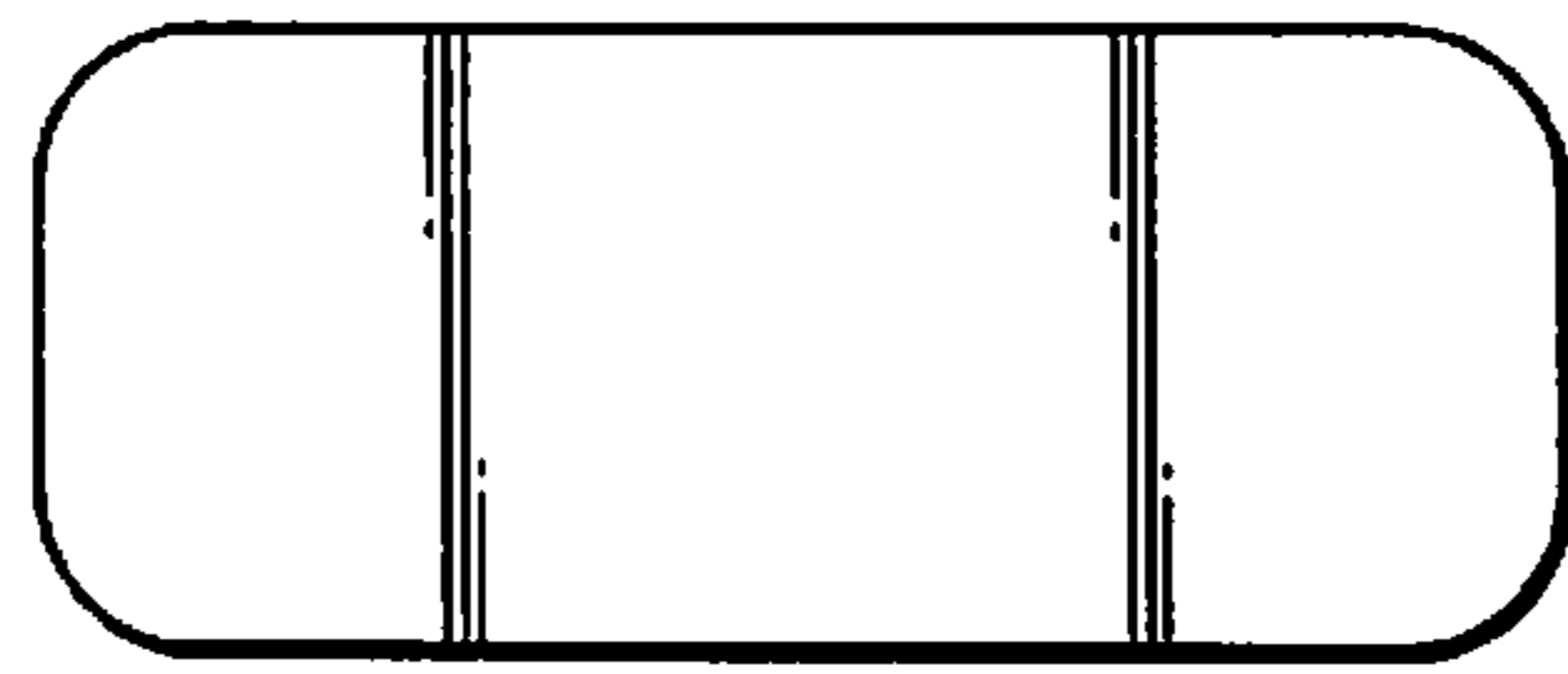


FIG. 10

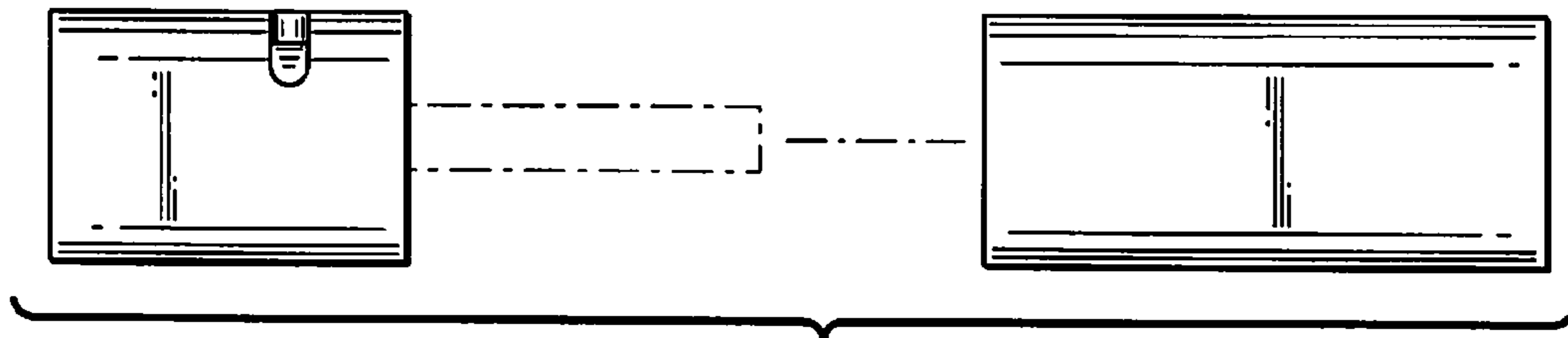


FIG. 11

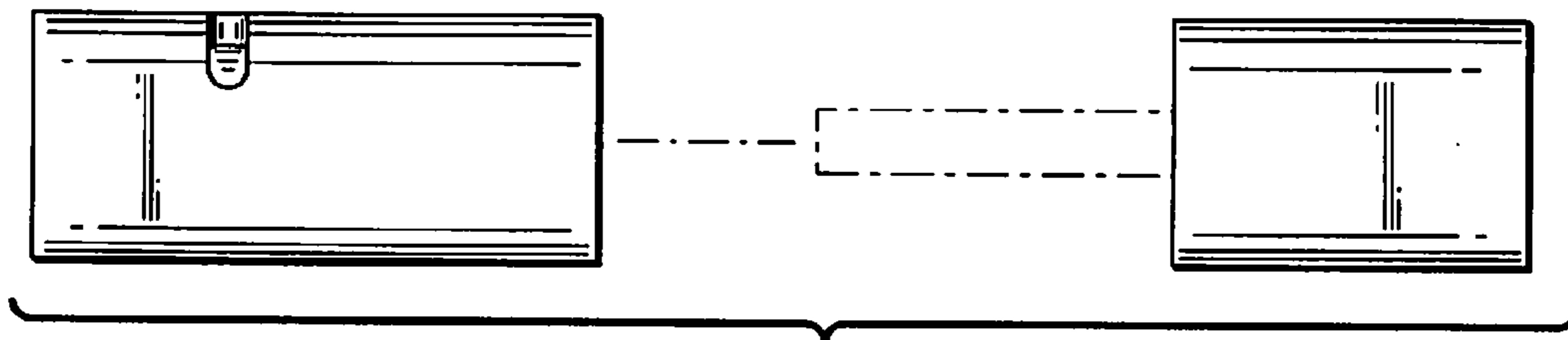


FIG. 12

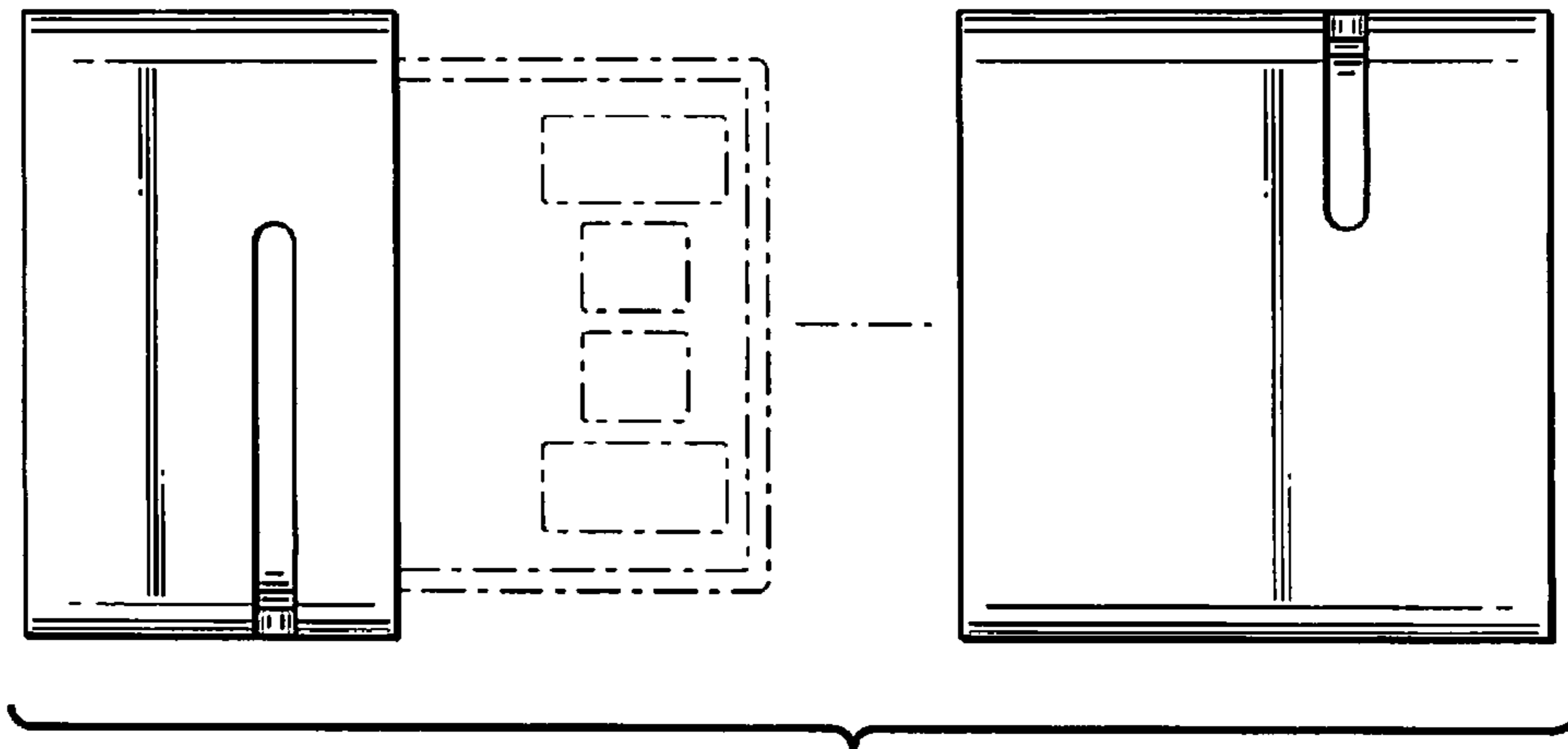


FIG. 13

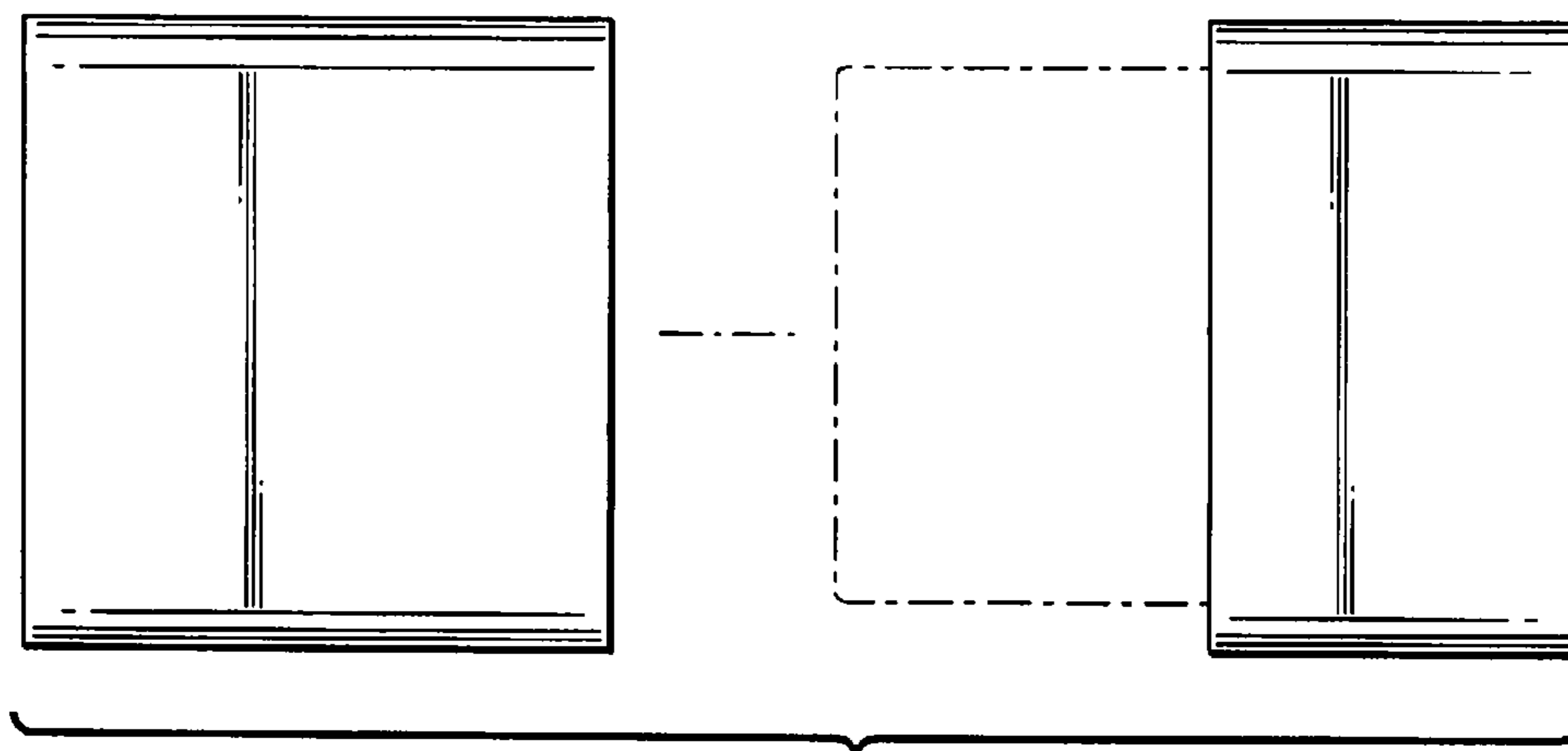


FIG. 14