



US00D685382S

(12) **United States Design Patent**  
**Anderson et al.**

(10) **Patent No.:** **US D685,382 S**

(45) **Date of Patent:** **\*\* Jul. 2, 2013**

(54) **USB DRIVE WITH A TRANSPARENT SECTION**

*Primary Examiner* — Karen E Kearney

(74) *Attorney, Agent, or Firm* — Perkins Coie LLP

(71) Applicant: **Leef, Ltd.**, Alamo, CA (US)

(72) Inventors: **Jon Lee Anderson**, Salt Lake City, UT (US); **Sergey Samorukov**, Moscow (RU)

(57) **CLAIM**

The ornamental design for a USB drive with a transparent section, as shown and described.

(73) Assignee: **Leaf, Ltd.**, Alamo, CA (US)

(\*\*) Term: **14 Years**

**DESCRIPTION**

(21) Appl. No.: **29/435,714**

(22) Filed: **Oct. 26, 2012**

(51) **LOC (9) Cl.** ..... **14-02**

(52) **U.S. Cl.**  
USPC ..... **D14/480.5**

(58) **Field of Classification Search**  
USPC ..... D14/411, 433, 435.1, 436, 480.1–480.7,  
D14/484.1, 137, 155, 203.1–203.8, 240;  
D13/133, 154; 361/679.31, 679.33, 679.4,  
361/752; 439/131, 135–147; 710/300, 301;  
711/100, 115

See application file for complete search history.

FIG. 1 is a perspective view of the ornamental design for a USB drive with a transparent section, as seen from the front, top side;  
FIG. 2 is a front elevational view thereof;  
FIG. 3 is a rear elevational view thereof;  
FIG. 4 is a right side elevational view thereof;  
FIG. 5 is a left side elevational view thereof;  
FIG. 6 is a top plan view thereof;  
FIG. 7 is a bottom plan view thereof;  
FIG. 8 is a perspective view of the ornamental design for the USB drive with a transparent section, as seen from the front, top side, with the cap removed;  
FIG. 9 is a front elevational view thereof, with the cap removed;  
FIG. 10 is a rear elevational view thereof, with the cap removed;  
FIG. 11 is a right side elevational thereof, with the cap removed view;  
FIG. 12 is a left side elevational view thereof, with the cap removed;  
FIG. 13 is a top plan view thereof, with the cap removed; and,  
FIG. 14 is a bottom plan view thereof, with the cap removed.  
The broken line showings of the connector and portion of the cap are included for the purpose of illustrating portions of the USB drive with a transparent section and form no part of the claimed design.

(56) **References Cited**

**U.S. PATENT DOCUMENTS**

D187,181 S \* 2/1960 McCabe et al. .... D13/133  
D527,477 S \* 8/2006 Chen ..... D26/37  
D538,280 S \* 3/2007 Sugita ..... D14/480.5

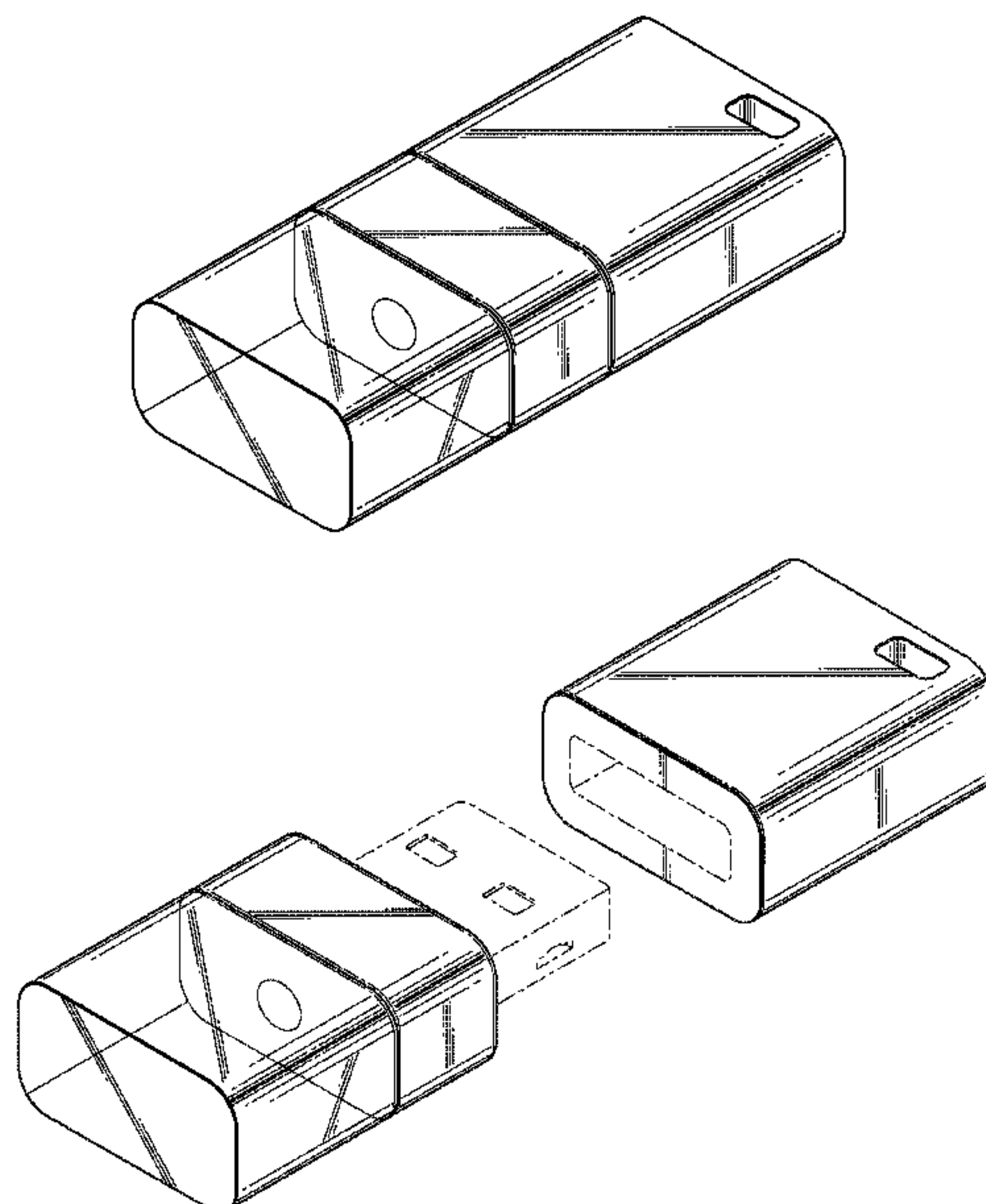
(Continued)

**OTHER PUBLICATIONS**

BuyPromos, LLC.—USB Rechargeable LED Flashlight, [online], [retrieved on Dec. 6, 2006]. Retrieved from the Internet <URL: <http://buypromosllc.corpkeystore.com/execstr/prodView.asp?idproduct=60>>.\*

(Continued)

**1 Claim, 6 Drawing Sheets**



# US D685,382 S

Page 2

---

## U.S. PATENT DOCUMENTS

D576,619 S \* 9/2008 Udagawa et al. .... D14/435.1  
7,503,780 B1 \* 3/2009 Huang ..... 439/135  
D595,223 S \* 6/2009 Yamamoto et al. .... D13/108  
D617,331 S \* 6/2010 Lo ..... D14/480.7  
D629,408 S \* 12/2010 Otsuka ..... D14/480.5  
8,029,302 B1 \* 10/2011 Duan ..... 439/142  
D658,666 S \* 5/2012 Fukuoka et al. .... D14/480.5  
8,305,750 B2 \* 11/2012 Hsieh ..... 361/679.33

## OTHER PUBLICATIONS

Elecom MF-DU204G 0.85" USB Hard Drive, [online] posted Feb. 14, 2006 [retrieved on Dec. 13, 2006]. Retrieved from the Internet <URL: <http://www.gearlive.com/index.php/news/category/USB/P40/>>.\*

\* cited by examiner

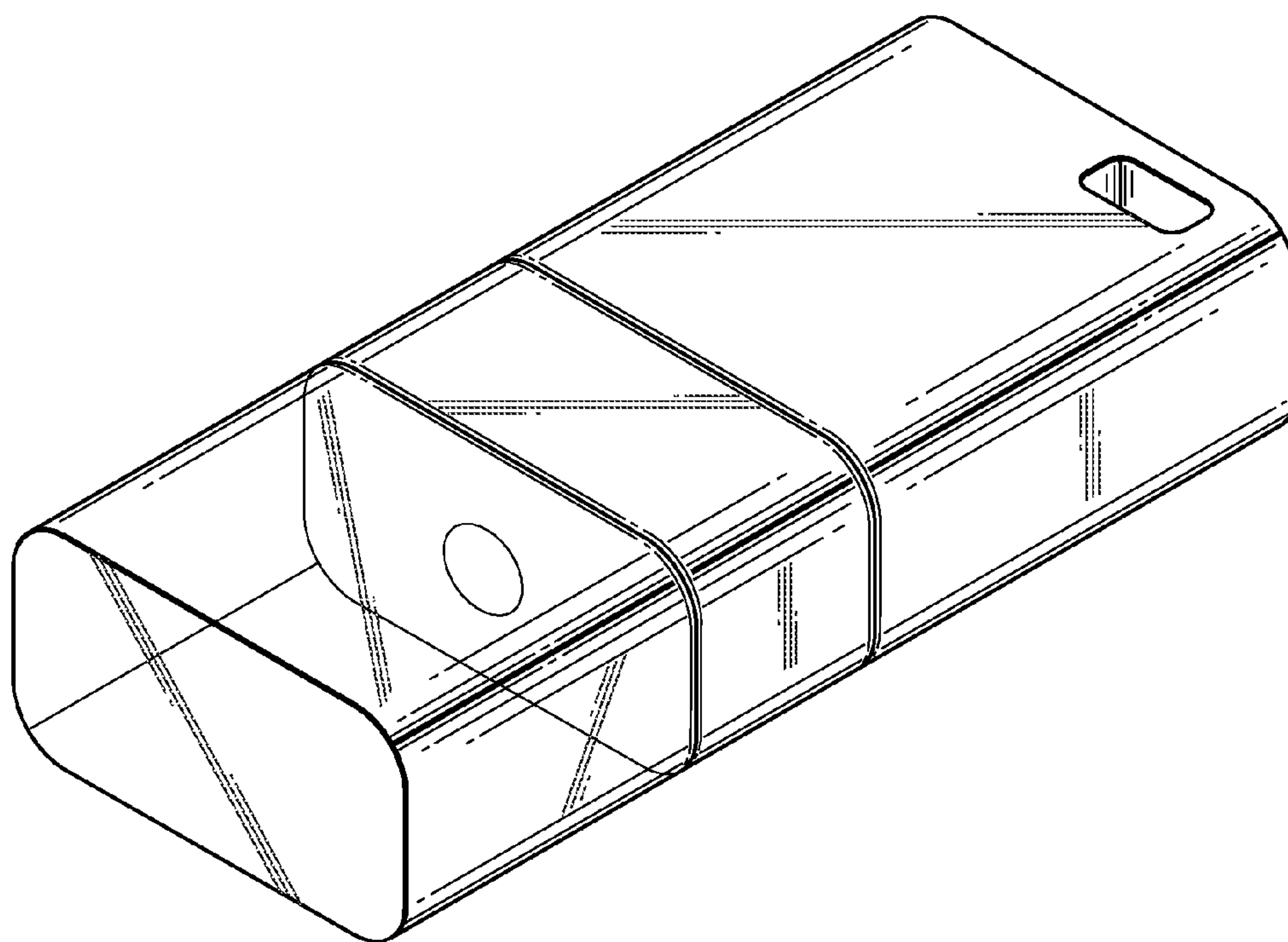


FIG. 1

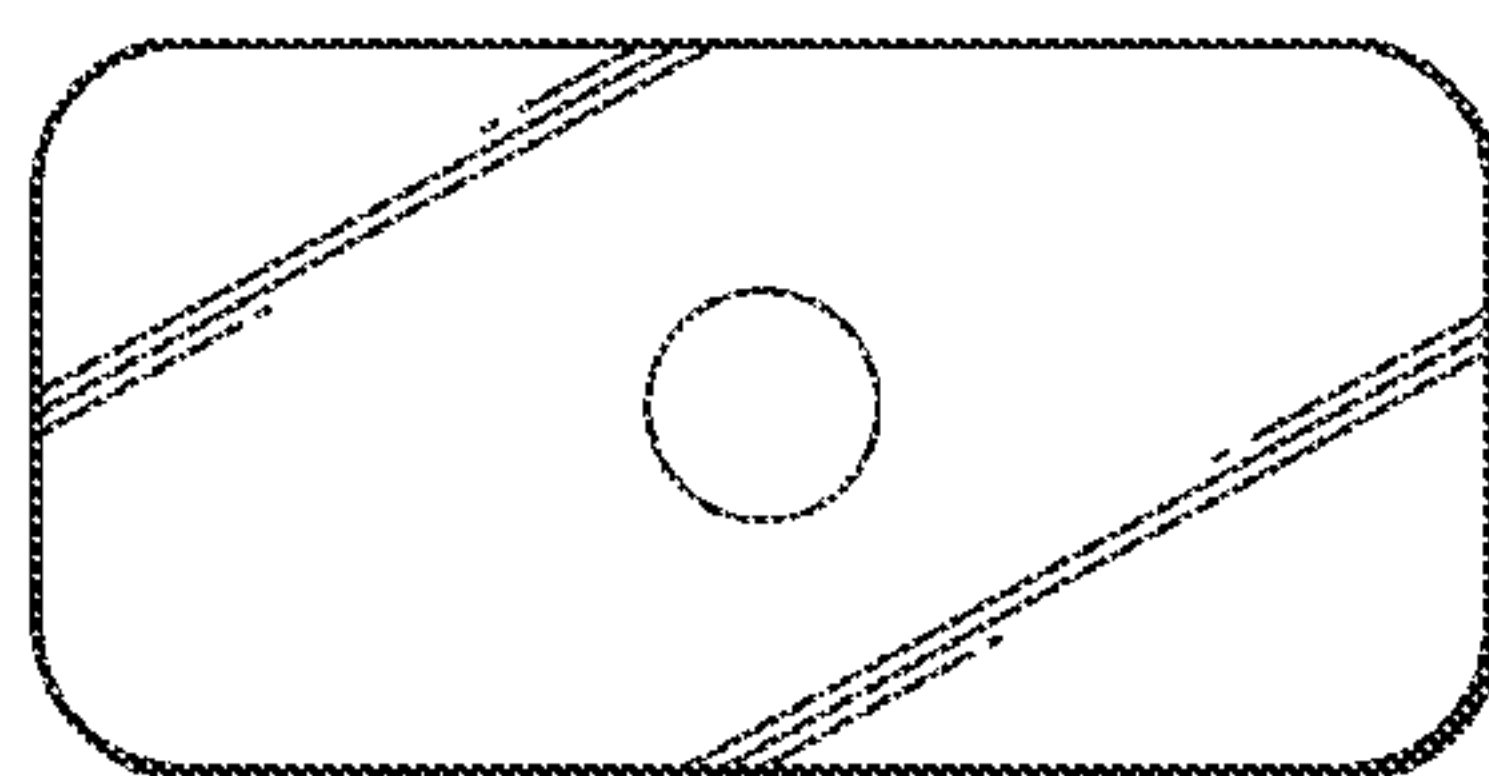


FIG. 2

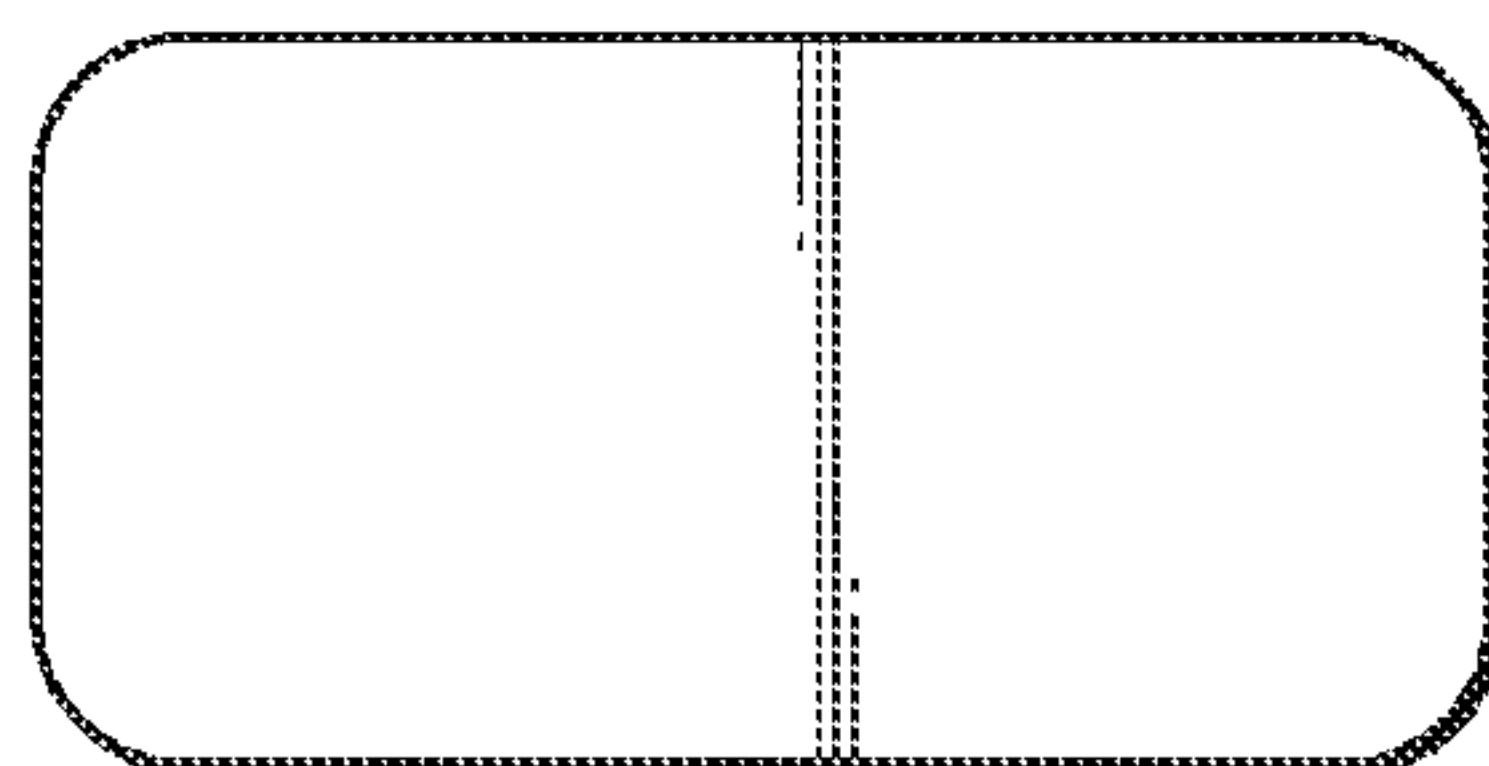


FIG. 3

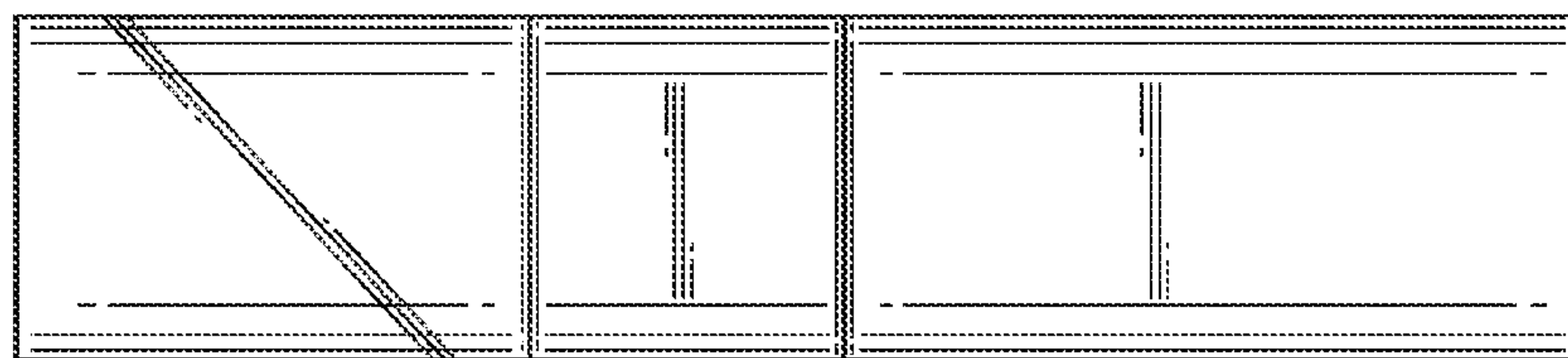


FIG. 4

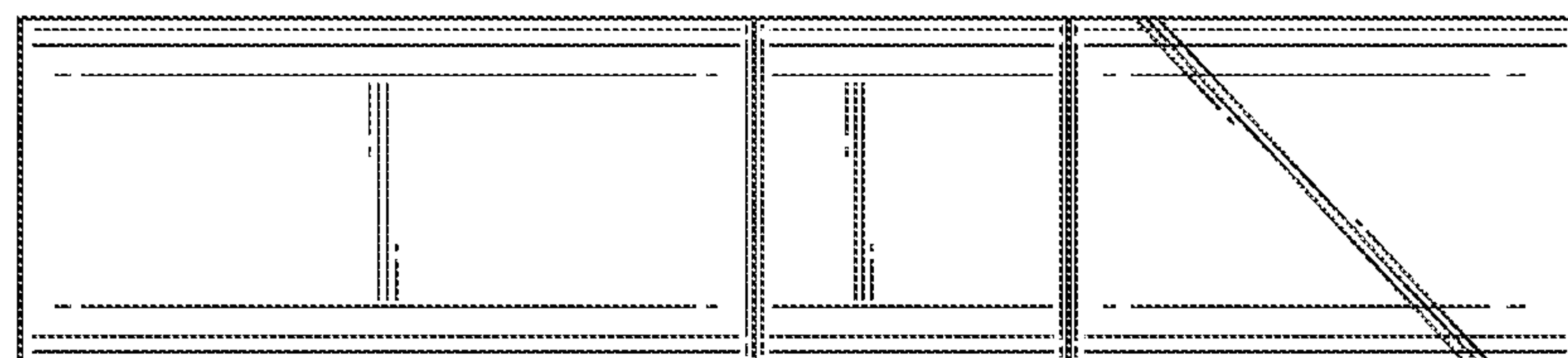


FIG. 5

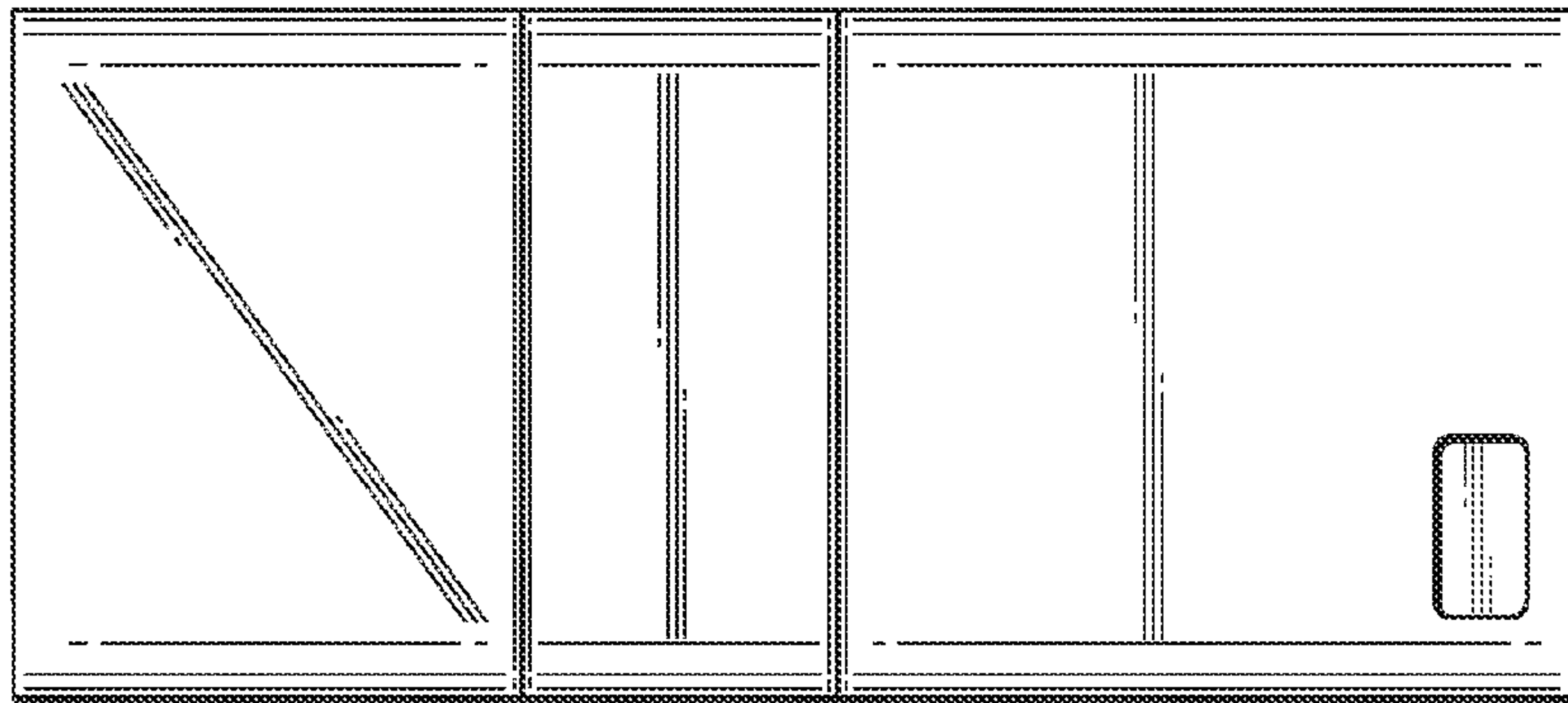


FIG. 6

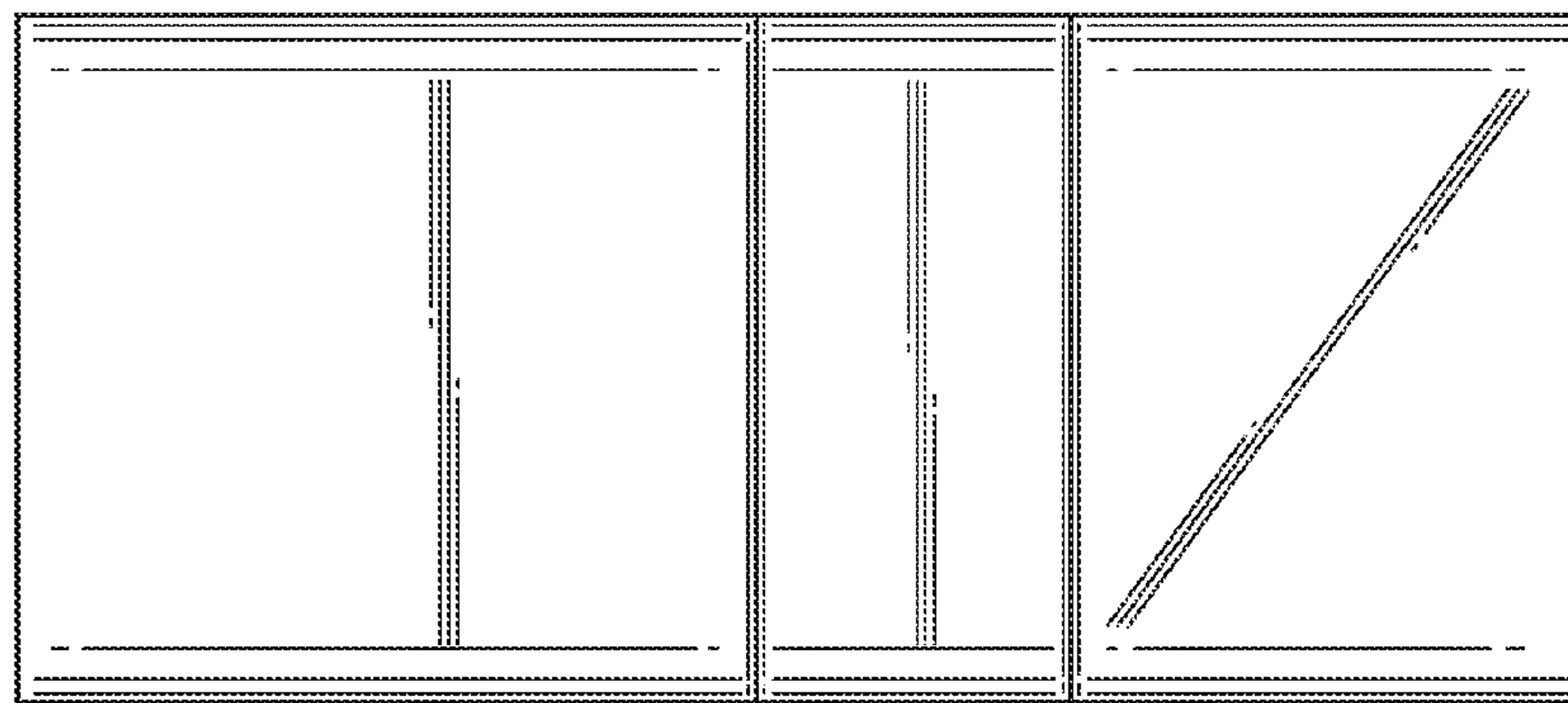


FIG. 7



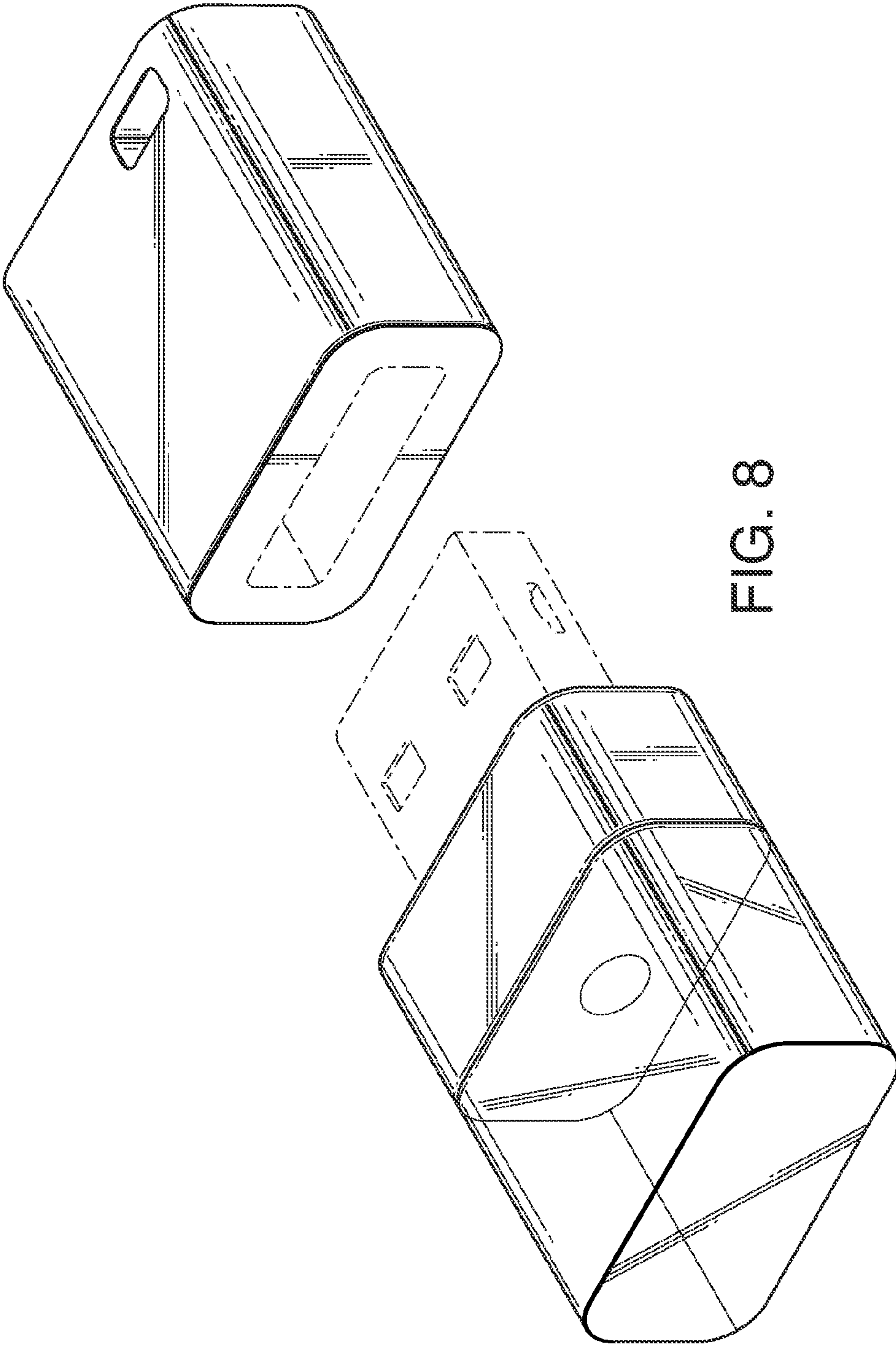


FIG. 8

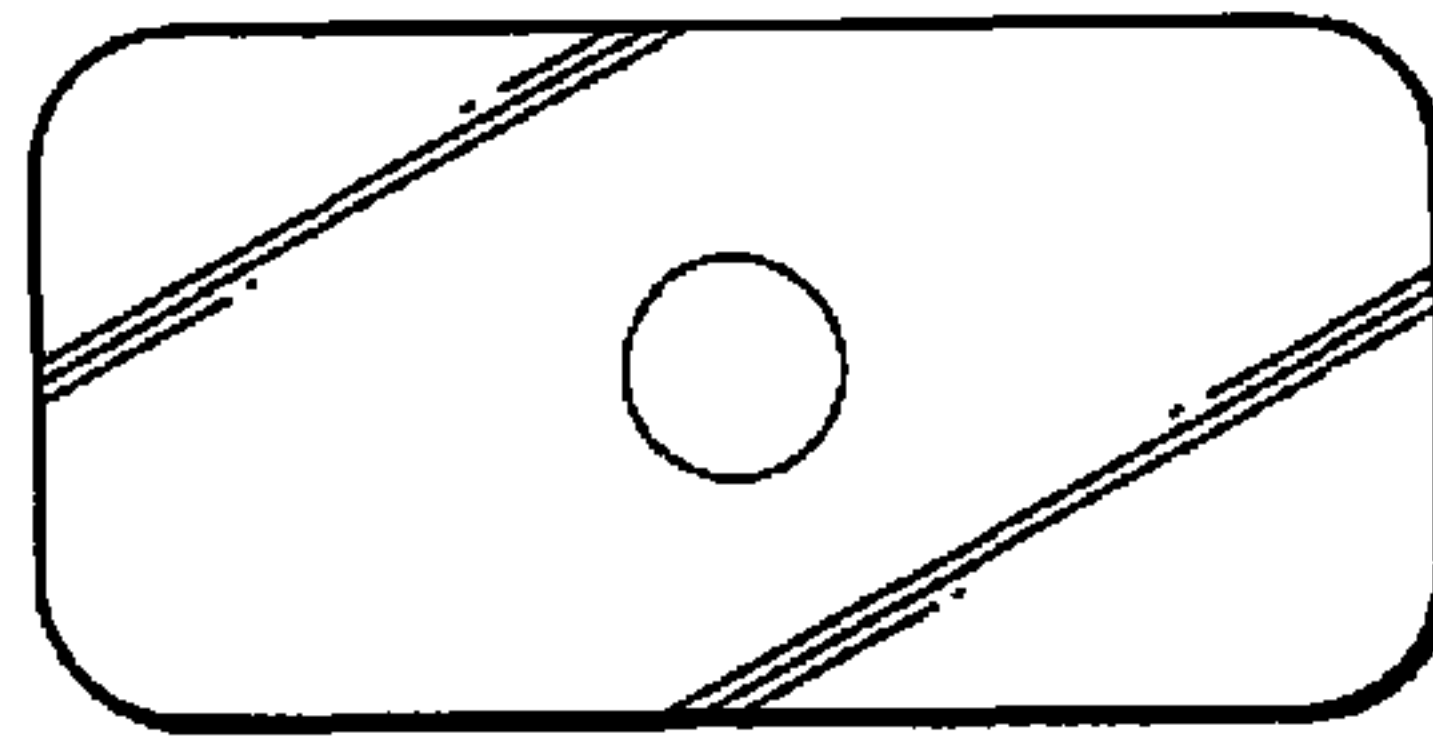


FIG. 9

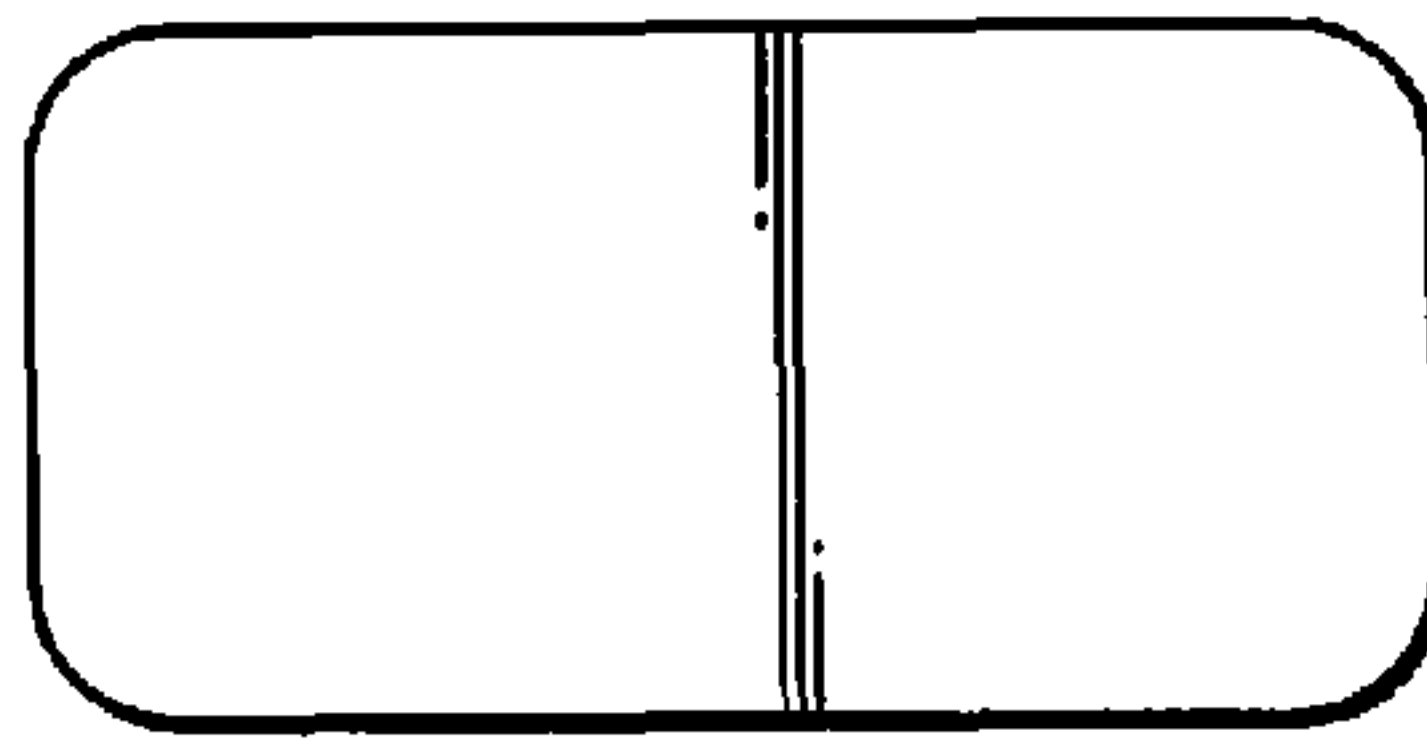


FIG. 10

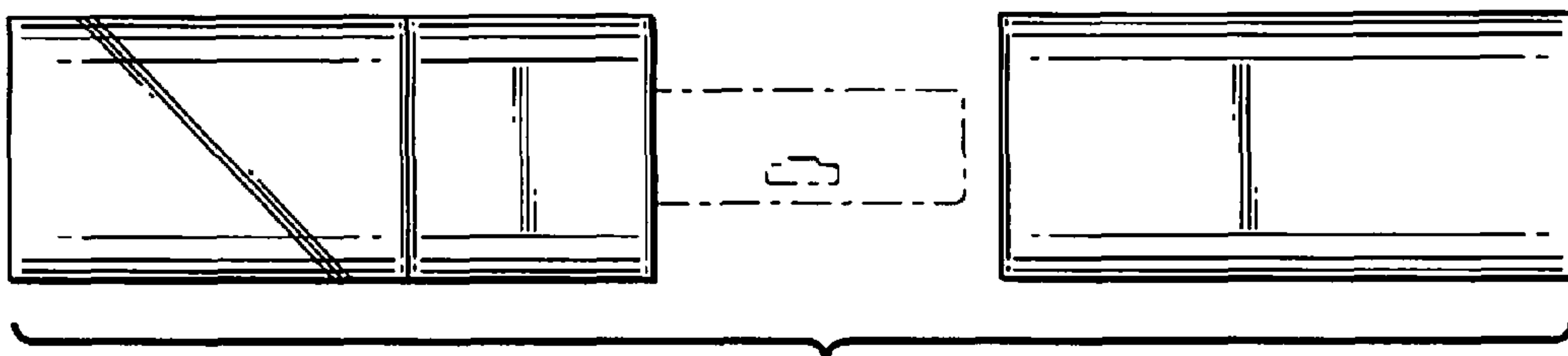


FIG. 11

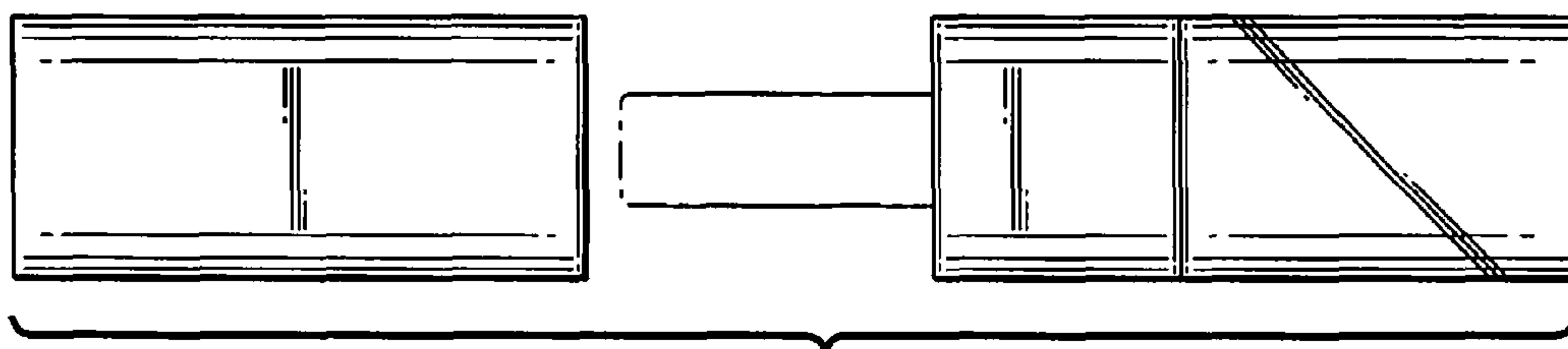


FIG. 12

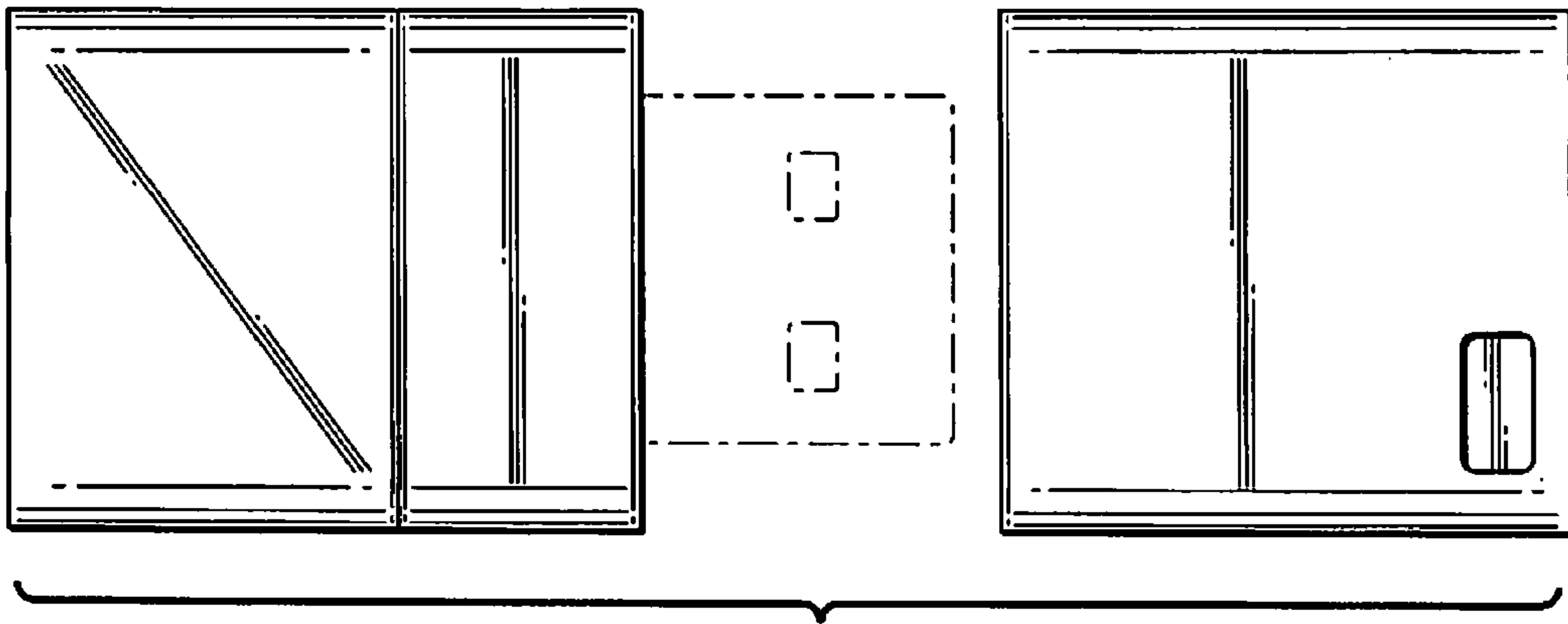


FIG. 13

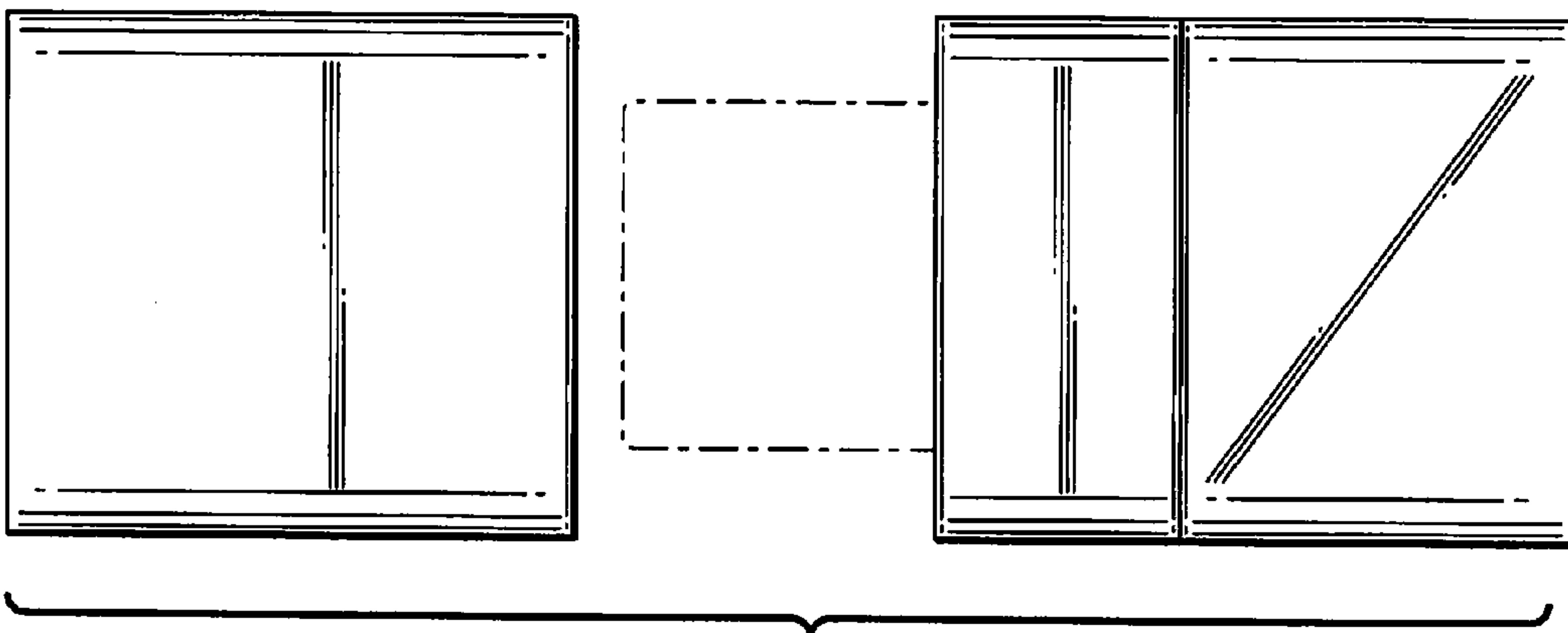


FIG. 14



UNITED STATES PATENT AND TRADEMARK OFFICE  
**CERTIFICATE OF CORRECTION**

PATENT NO. : D685,382 S  
APPLICATION NO. : 29/435714  
DATED : July 2, 2013  
INVENTOR(S) : Jon Lee Anderson et al.

Page 1 of 1

It is certified that error appears in the above-identified patent and that said Letters Patent is hereby corrected as shown below:

On the Title Page, Item (73), in column 1, in "Assignee", line 1, delete "Leaf, Ltd." and insert  
-- Leef, Ltd. --.

Signed and Sealed this  
Twenty-fourth Day of September, 2013



Teresa Stanek Rea  
*Deputy Director of the United States Patent and Trademark Office*