



US00D685381S

(12) **United States Design Patent**  
**Symons**

(10) **Patent No.:** **US D685,381 S**  
(45) **Date of Patent:** **\*\* Jul. 2, 2013**

- (54) **LAPTOP STAND**
- (71) Applicant: **Bluelounge Pte. Ltd.**, Wilkie Edge (SG)
- (72) Inventor: **Dominic Symons**, Wilkie Edge (SG)
- (73) Assignee: **Bluelounge Pte. Ltd.**, Wilkie Edge (SG)
- (\*\*) Term: **14 Years**

- (21) Appl. No.: **29/451,334**
- (22) Filed: **Apr. 1, 2013**
- (51) **LOC (9) Cl.** ..... **08-07**
- (52) **U.S. Cl.**  
USPC ..... **D14/447**
- (58) **Field of Classification Search**  
USPC ..... D14/432, 433, 434, 439, 440, 451,  
D14/452, 239, 217, 224.1, 251, 252, 253,  
D14/457, 458, 459, 460, 461; D6/406.1,  
D6/406.2, 406.3, 406.4, 406.5, 406.6;  
361/679.06, 679.21, 679.22, 679.24, 679.26,  
361/679.27, 679.28, 679.3, 679.55, 679.56,  
361/709; 248/917-924, 133, 136, 139, 150,  
248/176.1, 188.6; D12/415  
See application file for complete search history.

(56) **References Cited**

U.S. PATENT DOCUMENTS

- D413,872 S \* 9/1999 Jessen ..... D14/447
- 6,505,797 B1 1/2003 Dempsey
- D510,357 S 10/2005 Lye
- D557,698 S 12/2007 Lye
- D559,850 S 1/2008 Lye
- D569,371 S \* 5/2008 Staros et al. .... D14/217
- D575,293 S 8/2008 Derry
- D575,546 S \* 8/2008 Tsay et al. .... D6/406.3
- D590,404 S 4/2009 Kim
- D596,162 S \* 7/2009 Selvaraj et al. .... D14/217
- D603,840 S \* 11/2009 Lee et al. .... D14/217
- 7,748,667 B1 7/2010 Bartholomew

- D620,941 S 8/2010 Stacey
- D644,647 S \* 9/2011 Sykes ..... D14/447
- 8,087,632 B2 1/2012 Liu
- D658,188 S \* 4/2012 Diebel ..... D14/440

(Continued)

FOREIGN PATENT DOCUMENTS

WO 2006012108 2/2006

OTHER PUBLICATIONS

shopping.com, Mar. 26, 2013, Internet printout: <http://www.shopping.com/Aidata-Folding-Aluminum-Laptop-Stand-w-Swivel-Base/info?sb=1>.

(Continued)

*Primary Examiner* — Angela J Lee

(74) *Attorney, Agent, or Firm* — Todd R. Miller

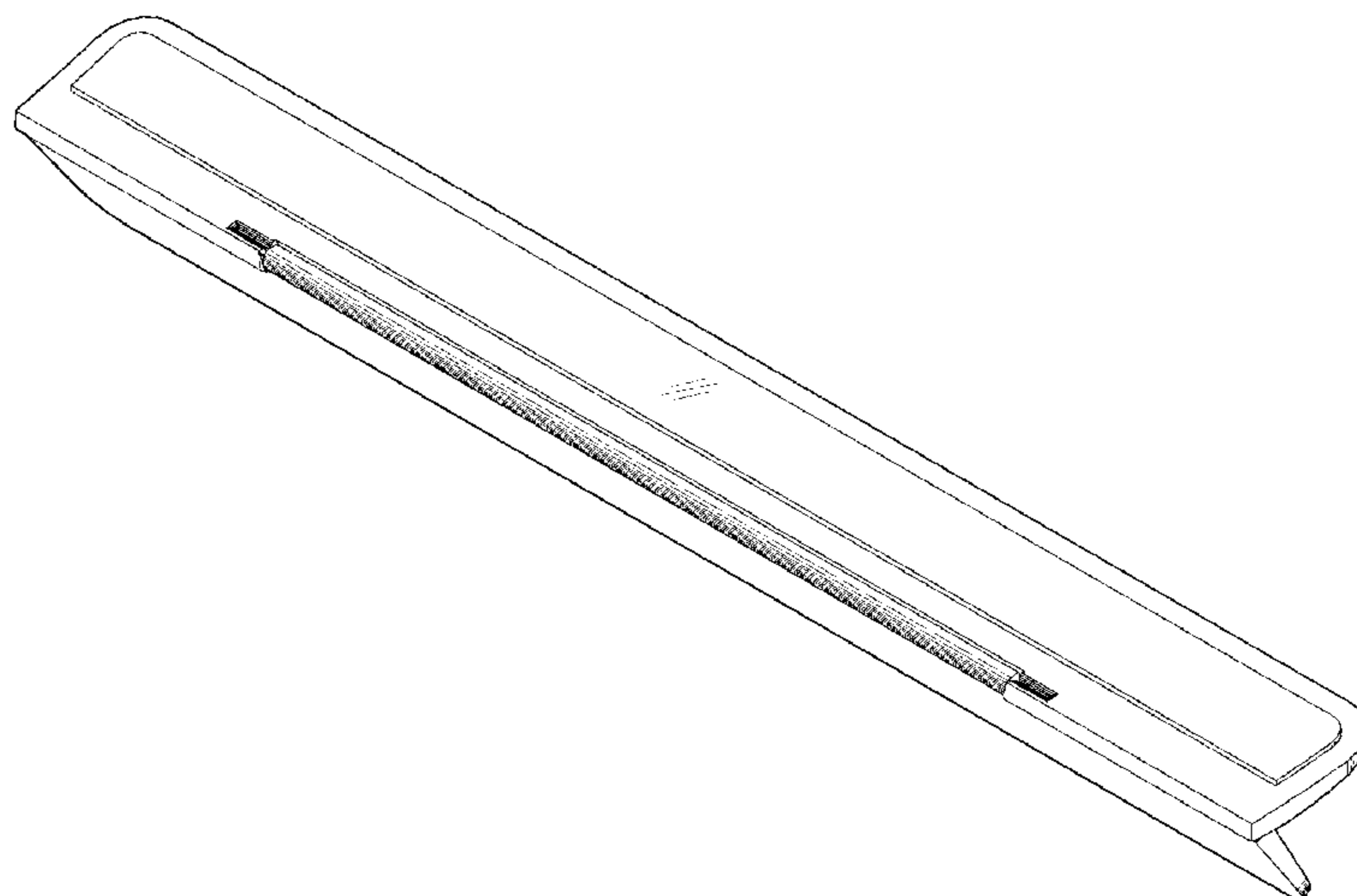
(57) **CLAIM**

The ornamental design for a laptop stand, as shown and described.

**DESCRIPTION**

FIG. 1 is a front view of a laptop stand showing my new design;  
 FIG. 2 is a back view thereof;  
 FIG. 3 is a perspective front view thereof;  
 FIG. 4 is a perspective front view thereof, showing the stand folded;  
 FIG. 5 is a perspective view thereof, but showing the laptop stand unfolded;  
 FIG. 6 is a perspective back thereof, showing the stand folded;  
 FIG. 7 is a side view thereof, but showing the laptop stand unfolded;  
 FIG. 8 is a side view thereof;  
 FIG. 9 is a top view thereof; and,  
 FIG. 10 is a top view thereof, showing the stand folded.

**1 Claim, 10 Drawing Sheets**



U.S. PATENT DOCUMENTS

D661,310	S	6/2012	Belongia	
D666,614	S *	9/2012	Ding .....	D14/253
D669,482	S *	10/2012	Hu et al. ....	D14/447
D671,949	S *	12/2012	Jeon et al. ....	D14/447
D672,352	S *	12/2012	Gengler .....	D14/440
D672,355	S *	12/2012	Lee et al. ....	D14/447
D674,396	S *	1/2013	Yang et al. ....	D14/447
D676,450	S	2/2013	Lye	
2002/0100398	A1	8/2002	Santini	
2007/0120034	A1	5/2007	Sparling	
2009/0159763	A1	6/2009	Kim	
2009/0179132	A1	7/2009	Qin	
2012/0037047	A1	2/2012	Moldovan	

OTHER PUBLICATIONS

aviiq.com, Mar. 26, 2013, Internet printout: <http://www.aviiq.com/collections/frontpage/products/portable-laptop-stand>.  
 laptopdesk.net, Mar. 26, 2013, Internet printout: <http://www.laptopdesk.net/attache-laptop-stand.html>.  
 ideastorm, Mar. 26, 2013, Internet printout: <http://www.ideastorm.com/idea2ReadIdea?v=1357717126766&Id=087700000081j4AAA>.  
 coolermaster.com, Mar. 26, 2013, Internet printout: [http://www.coolermaster.com/category.php?category\\_id=16](http://www.coolermaster.com/category.php?category_id=16)  
[http://www.coolermaster.com/category.php?category\\_id=16](http://www.coolermaster.com/category.php?category_id=16).

mwacrylic.com, Mar. 26, 2013, Internet printout: <http://www.mwacrylic.com/acrylic-computerm3-display/3244.html>.  
 staples.com, Mar. 26, 2013, Internet printout: [http://www.staples.com/Laptop-Stands-Risers/cat\\_\\_CL165071#viewDetails='gridView'](http://www.staples.com/Laptop-Stands-Risers/cat__CL165071#viewDetails='gridView').  
 made-in-china.com, Mar. 26, 2013, Internet printout: <http://www.made-in-china.com/showroom/tp5111soft/product-detailjqnxHovbEcVh/China-Laptop-Stand-WU-JK01-.html>.  
 matias.ca, Mar. 26, 2013, Internet printout: <http://matias.ca/irizer/laptops/>.  
 lappicker.com, Mar. 26, 2013, Internet printout: <http://www.lappicker.com/archives/rain-mstand-laptop-stand.html>.  
 coolermaster-mobile.com, Mar. 27, 2013, Internet printout: <http://www.coolermaster-mobile.com/macbook/jas-pro/>.  
 fins-up.com, Mar. 27, 2013, Internet printout: <http://www.fins-up.com/>.  
 tryandbyte.com, Mar. 27, 2013, Internet printout: <http://www.tryandbyte.com.au/cgi-bin/page.pl?page=3749&title=Kensington%20SafeDock%20for%20MacBook%20Air%2011%22>.  
 yankodesign.com, Apr. 11, 2013, Internet printout: <http://www.yankodesign.com/2013/04/10/kick-your-computer-to-the-curb/>.

\* cited by examiner

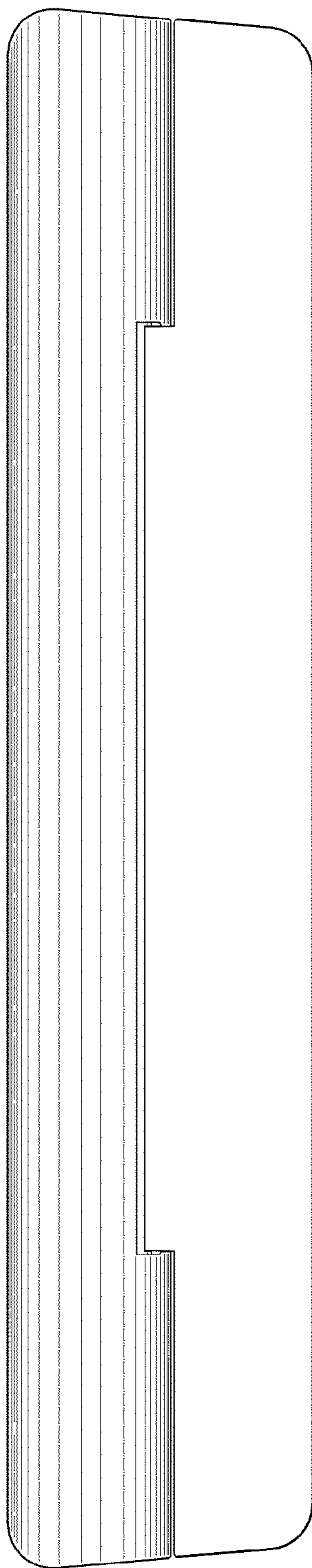


Fig. 1

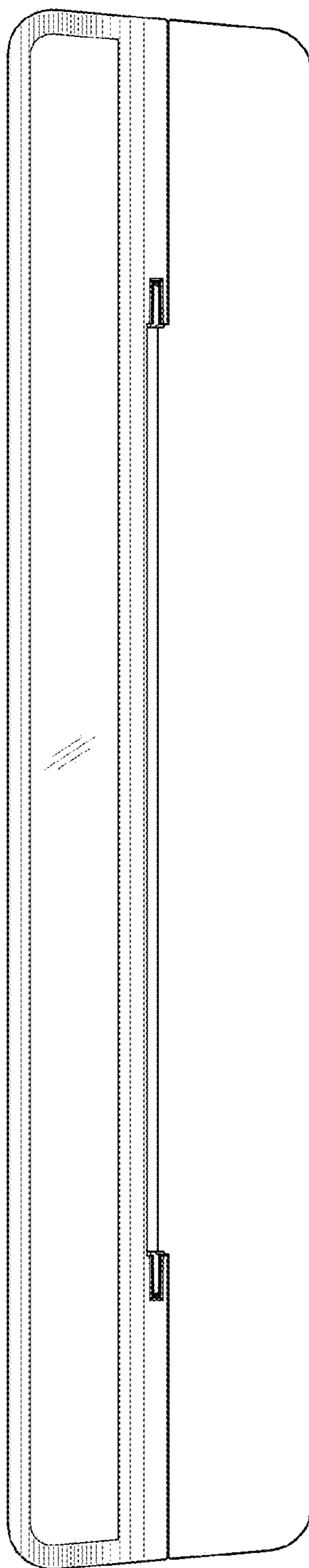


Fig. 2

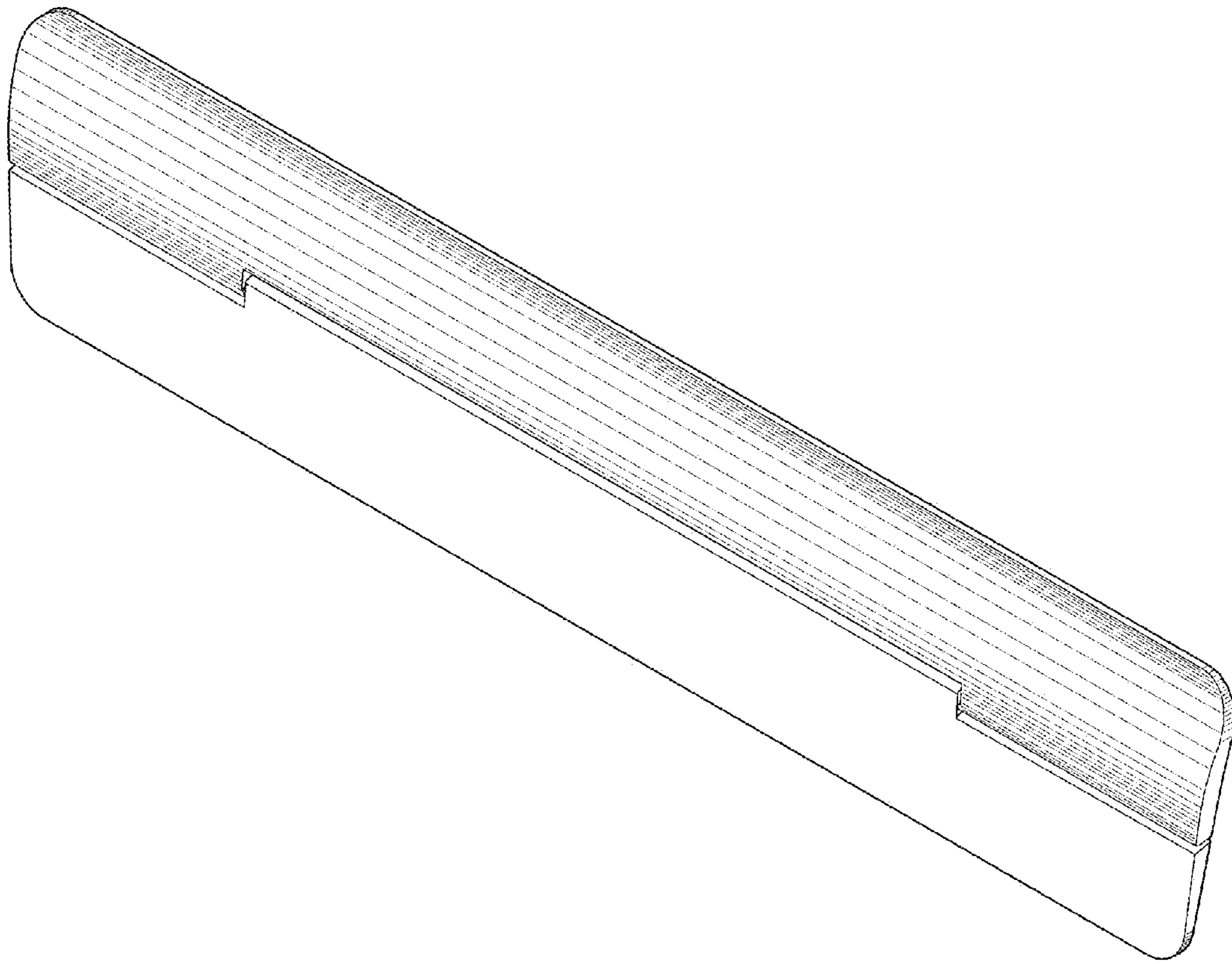


Fig. 3

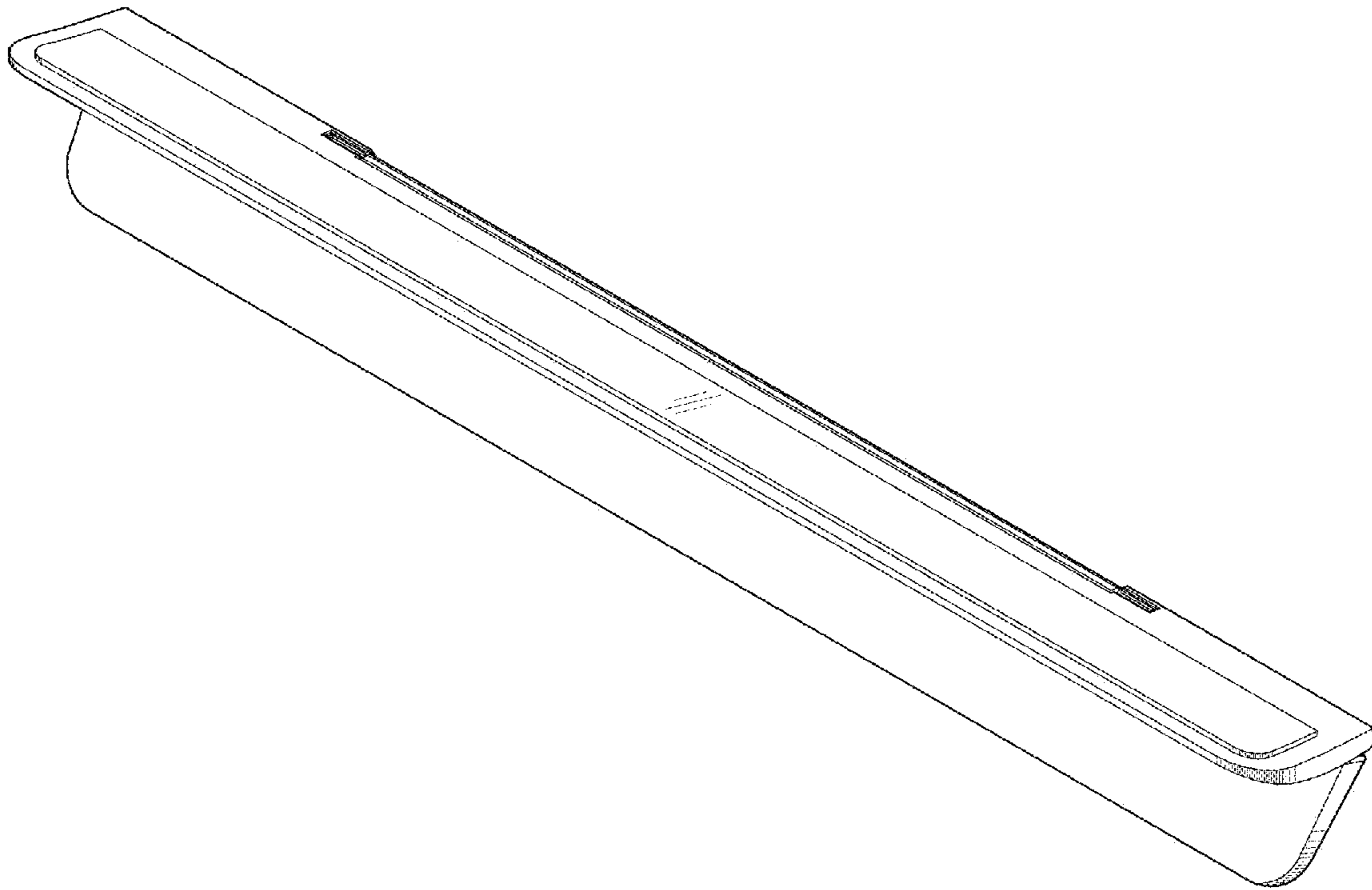


Fig. 4

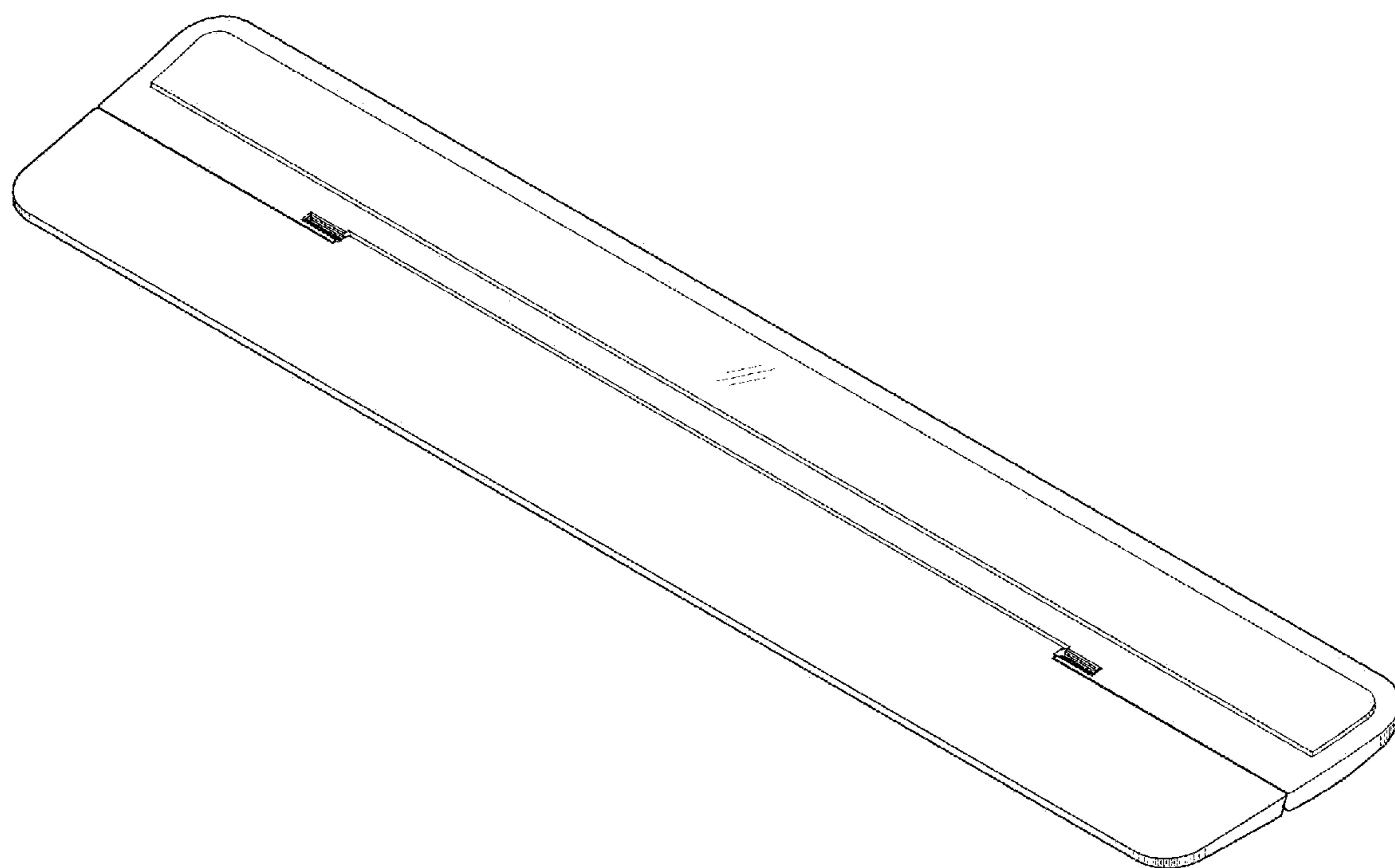


Fig. 5

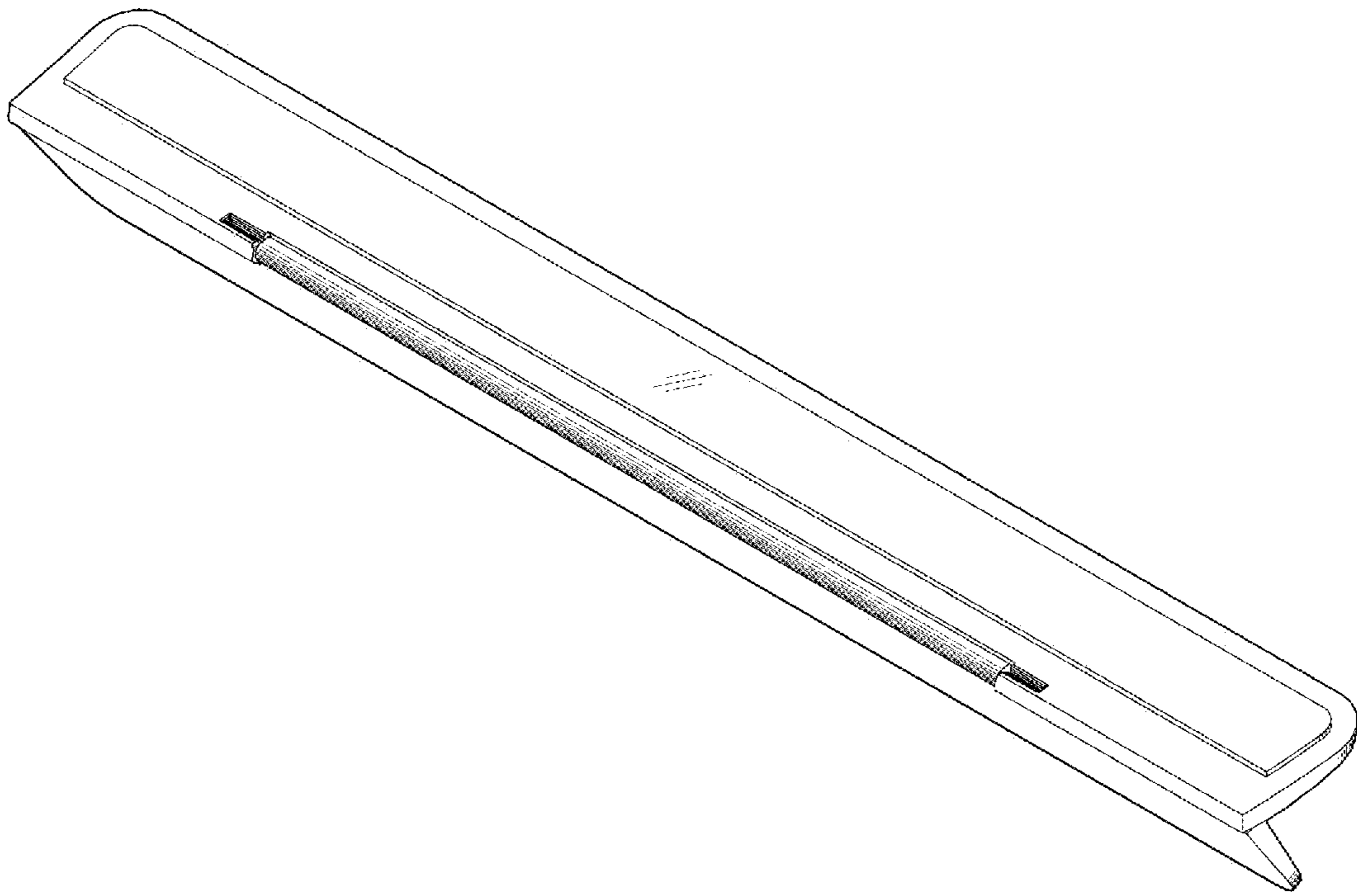


Fig. 6



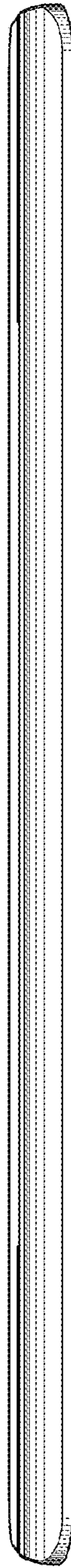


Fig. 7

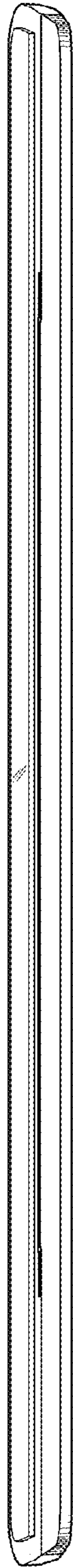


Fig. 8

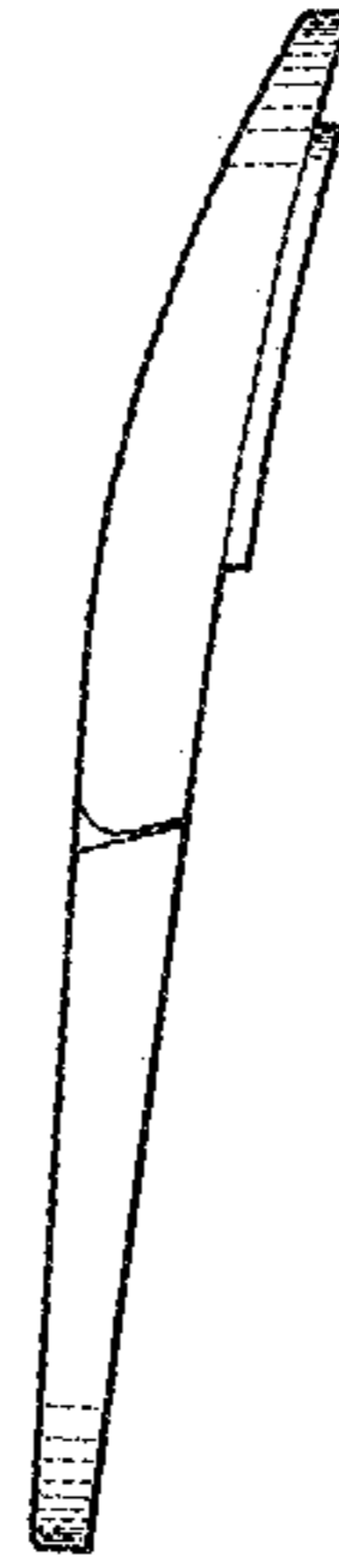


Fig. 9

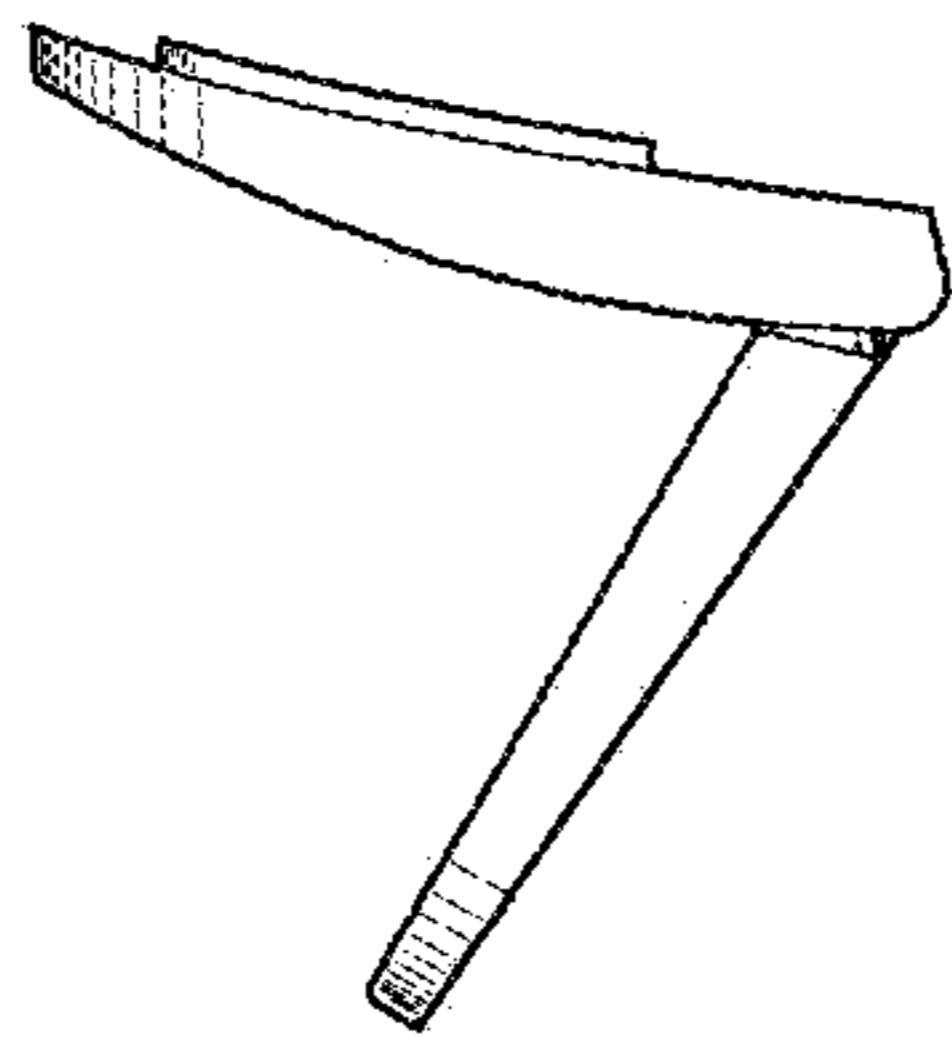


Fig. 10