



US00D685378S

(12) **United States Design Patent**
Deng

(10) **Patent No.:** **US D685,378 S**

(45) **Date of Patent:** **** Jul. 2, 2013**

(54) **FOLDING POCKET STAND**

(75) Inventor: **Qing Hua Deng**, Jiangsu (CN)
(73) Assignee: **Crimson AV, LLC**, Glenview, IL (US)
(**) Term: **14 Years**

(21) Appl. No.: **29/414,668**

(22) Filed: **Mar. 1, 2012**

(30) **Foreign Application Priority Data**

Dec. 14, 2011 (CN) 2011 3 0476950

(51) **LOC (9) Cl.** **08-07**

(52) **U.S. Cl.**
USPC **D14/447**

(58) **Field of Classification Search**

USPC D14/432, 433, 434, 439, 440, 451,
D14/452, 239, 217, 224.1, 251, 252, 253,
D14/457, 458, 459, 460, 461; D6/406.1,
D6/406.2, 406.3, 406.4, 406.5, 406.6;
361/679.06, 679.21, 679.22, 679.24, 679.26,
361/679.27, 679.28, 679.3, 679.55, 679.56,
361/709; 248/917-924, 133, 136, 139, 150,
248/176.1, 188.6

See application file for complete search history.

(56) **References Cited**

U.S. PATENT DOCUMENTS

D575,293	S *	8/2008	Derry et al.	D14/447
D603,840	S *	11/2009	Lee et al.	D14/217
D610,587	S *	2/2010	Bandringa	D14/447
D620,941	S *	8/2010	Stacey et al.	D14/447
D636,397	S *	4/2011	Green	D14/447
D638,021	S *	5/2011	Derry	D14/447
D658,189	S *	4/2012	Zhao et al.	D14/447
D659,147	S *	5/2012	Hu et al.	D14/447
D668,256	S *	10/2012	Matteo	D14/447
D672,782	S *	12/2012	Gross	D14/447
2010/0243850	A1 *	9/2010	Derry	248/372.1
2011/0170246	A1 *	7/2011	Chu	361/679.01
2012/0001045	A1 *	1/2012	Wang	248/281.11

* cited by examiner

Primary Examiner — Angela J Lee

(74) *Attorney, Agent, or Firm* — Jacques M. Dulin, Esq.;
Innovation Law Group, Ltd.

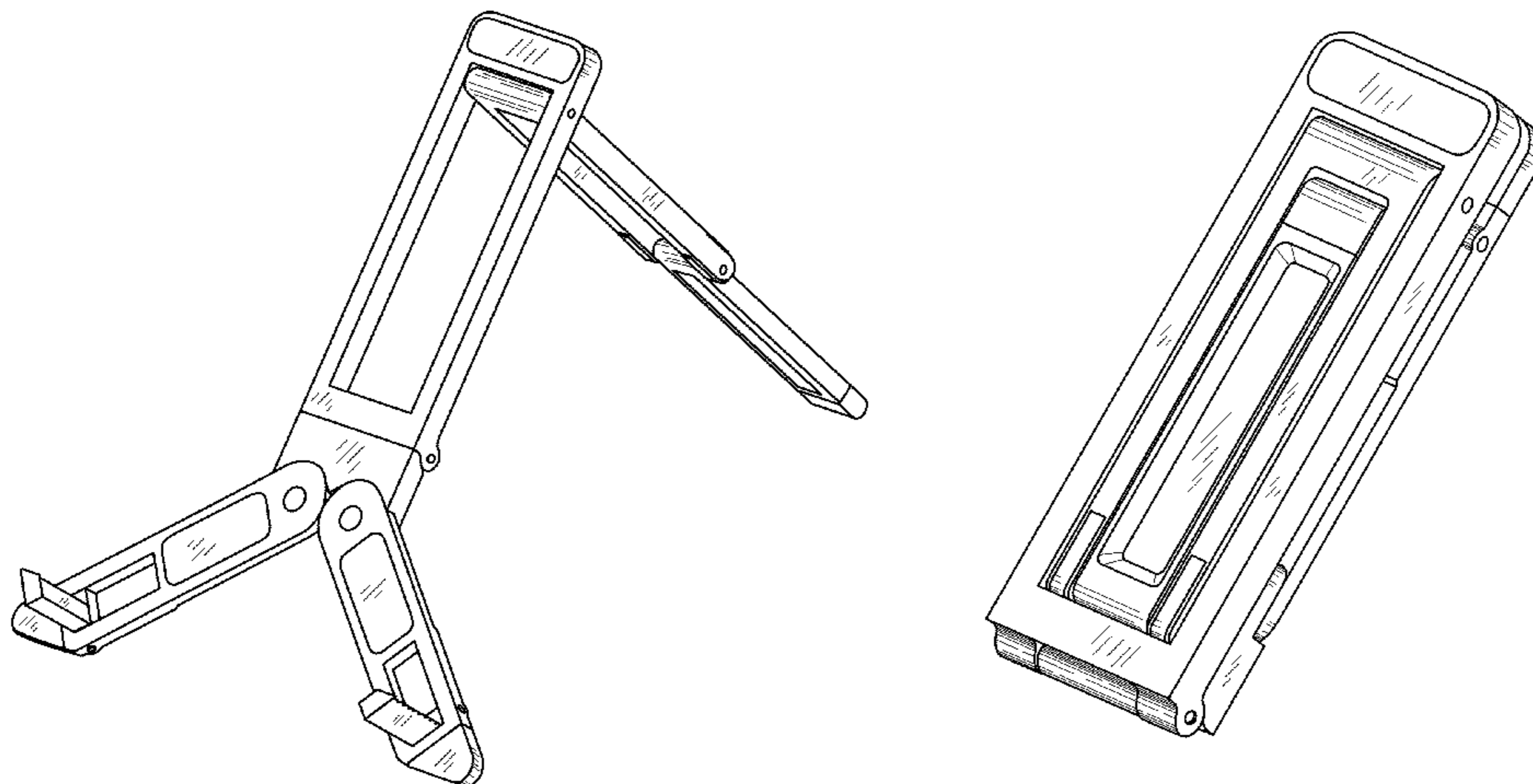
(57) **CLAIM**

I claim the ornamental design for a folding pocket stand, as shown and described.

DESCRIPTION

FIG. 1 is a right end elevation view of the folding pocket stand showing my new design in a folded position;
FIG. 2 is a left end elevation view thereof;
FIG. 3 is a top plan view thereof;
FIG. 4 is a bottom plan view thereof;
FIG. 5 is a right side elevation view thereof;
FIG. 6 is a left side elevation view thereof;
FIG. 7 is a front elevation view thereof, but shown in an alternate unfolded position;
FIG. 8 is a top plan view thereof;
FIG. 9 is a right side elevation view thereof;
FIG. 10 is a left side elevation view thereof;
FIG. 11 is a bottom plan view thereof;
FIG. 12 is a rear elevation view thereof;
FIG. 13 is a front elevation view thereof, but shown in an alternate partially unfolded position;
FIG. 14 is a top plan view thereof;
FIG. 15 is a right side elevation view thereof;
FIG. 16 is a left side elevation view thereof;
FIG. 17 is a bottom plan view thereof;
FIG. 18 is a rear elevation view thereof;
FIG. 19 is an isometric view from the right front side of the unfolded position in FIG. 7;
FIG. 20 is an isometric view from the left front side of the partially unfolded position in FIG. 13;
FIG. 21 is an isometric view from the left top side of the folded position of FIG. 1; and,
FIG. 22 is an isometric view from the left bottom side thereof. The broken lines shown are for illustrative purposed only and form no part of the claimed design.

1 Claim, 10 Drawing Sheets



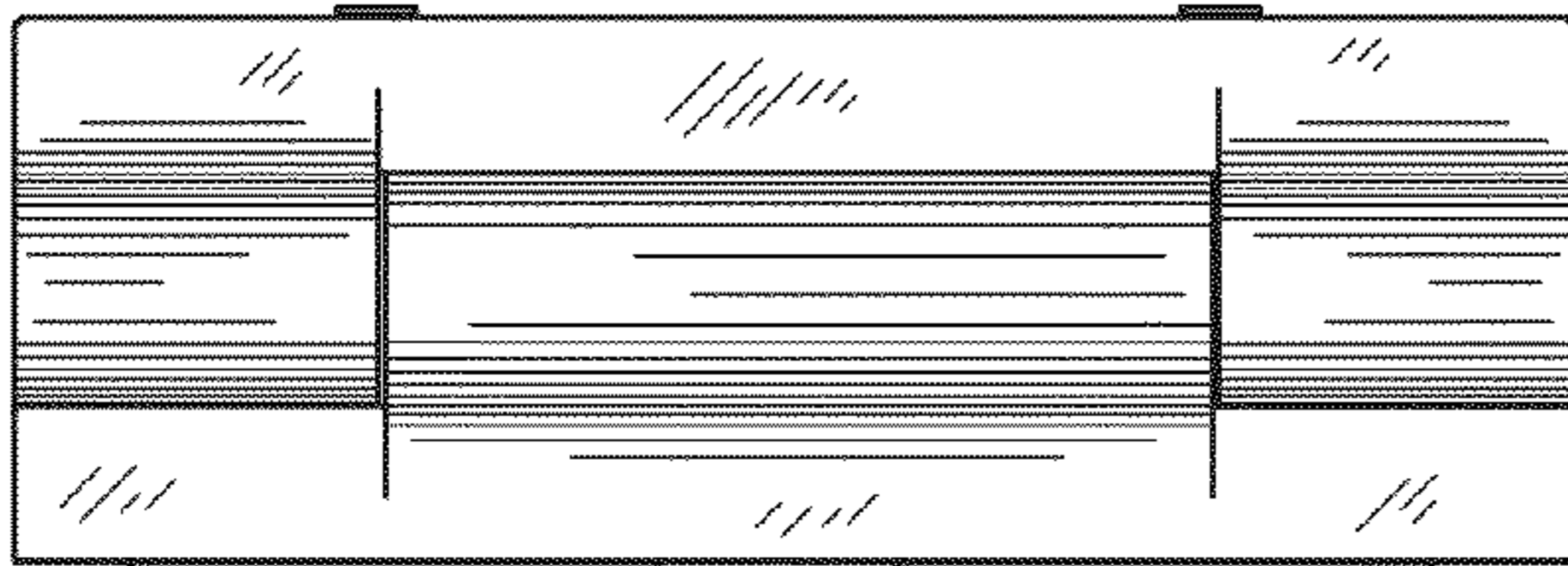


FIG. 1

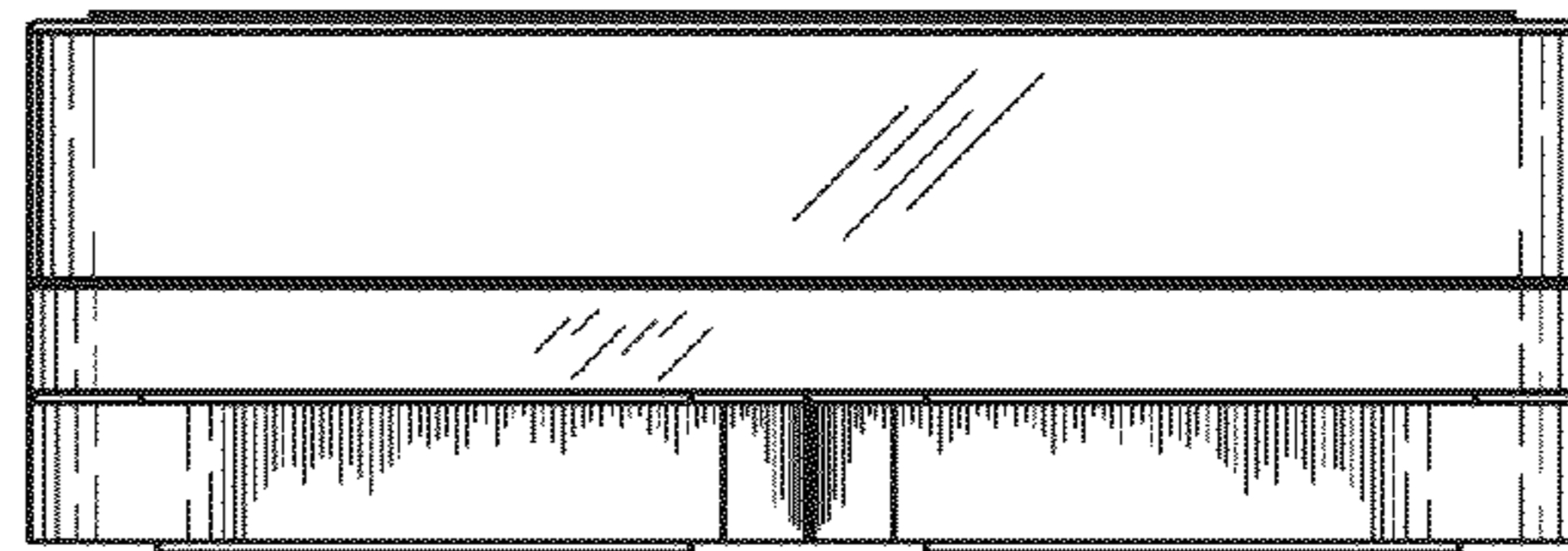


FIG. 2

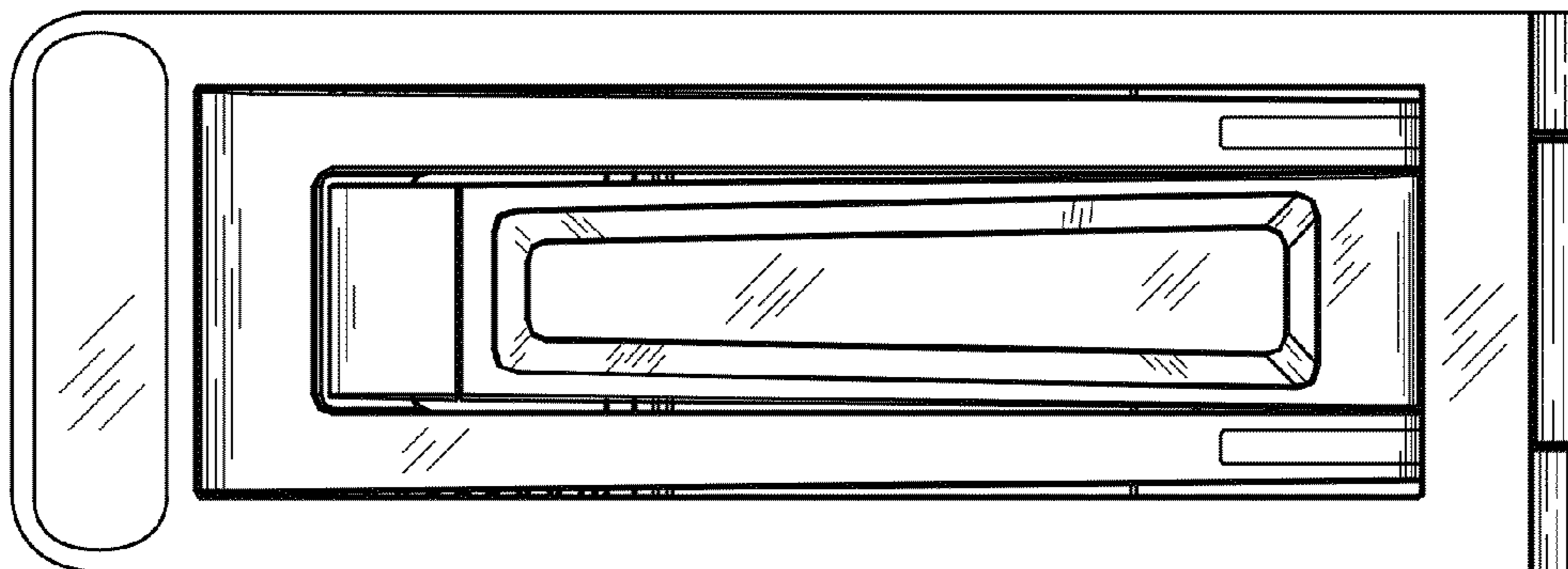


FIG. 3

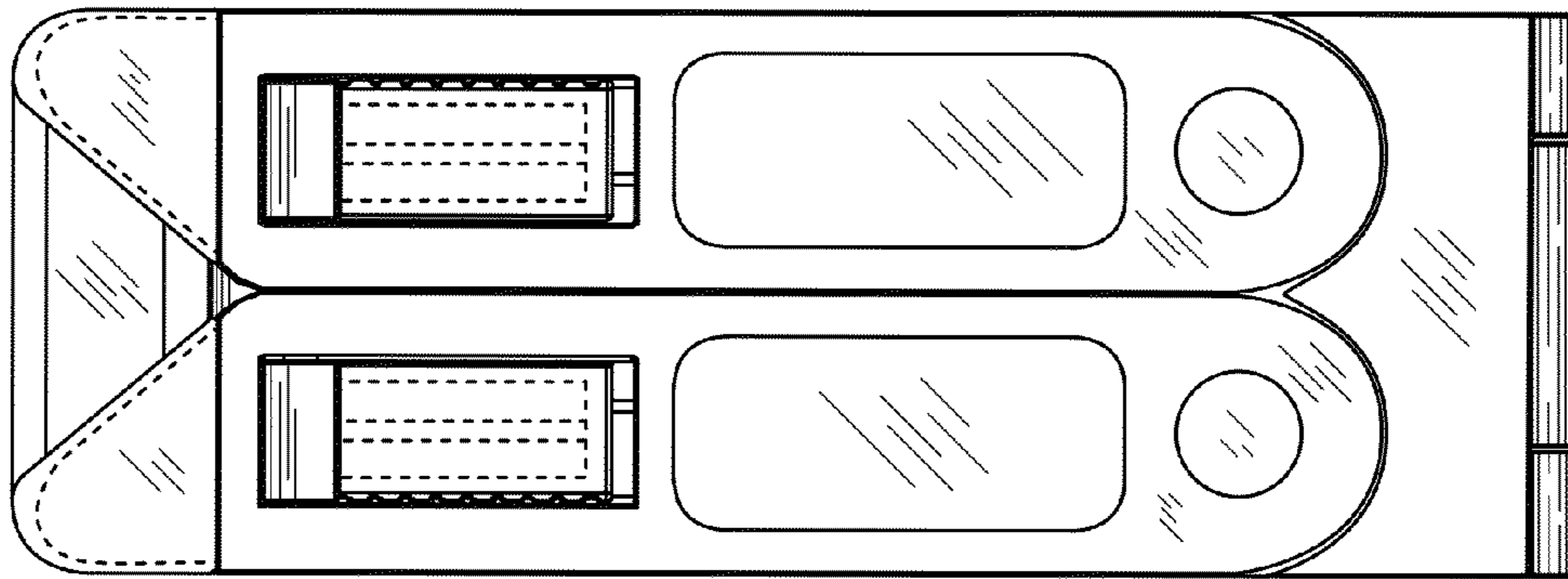


FIG. 4

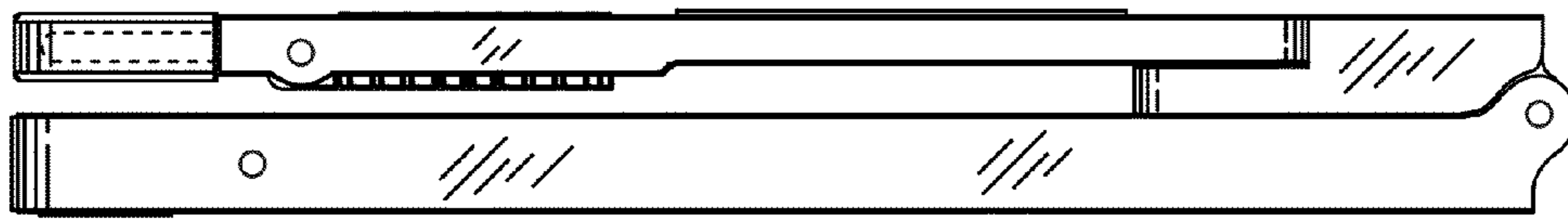


FIG. 5

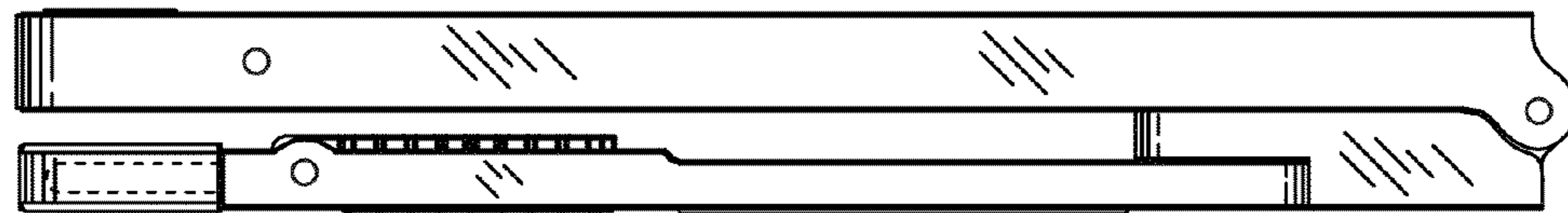


FIG. 6

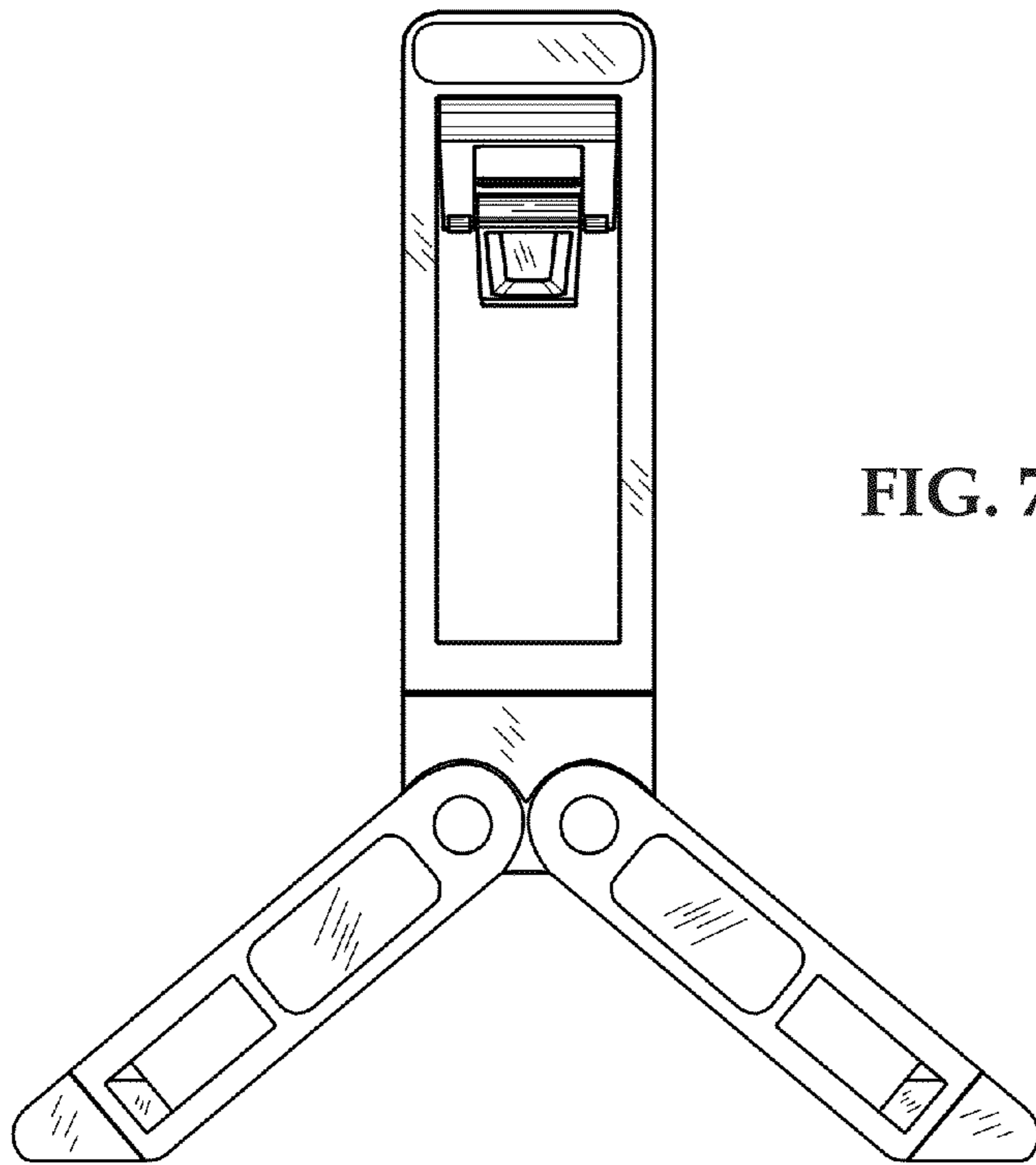


FIG. 7

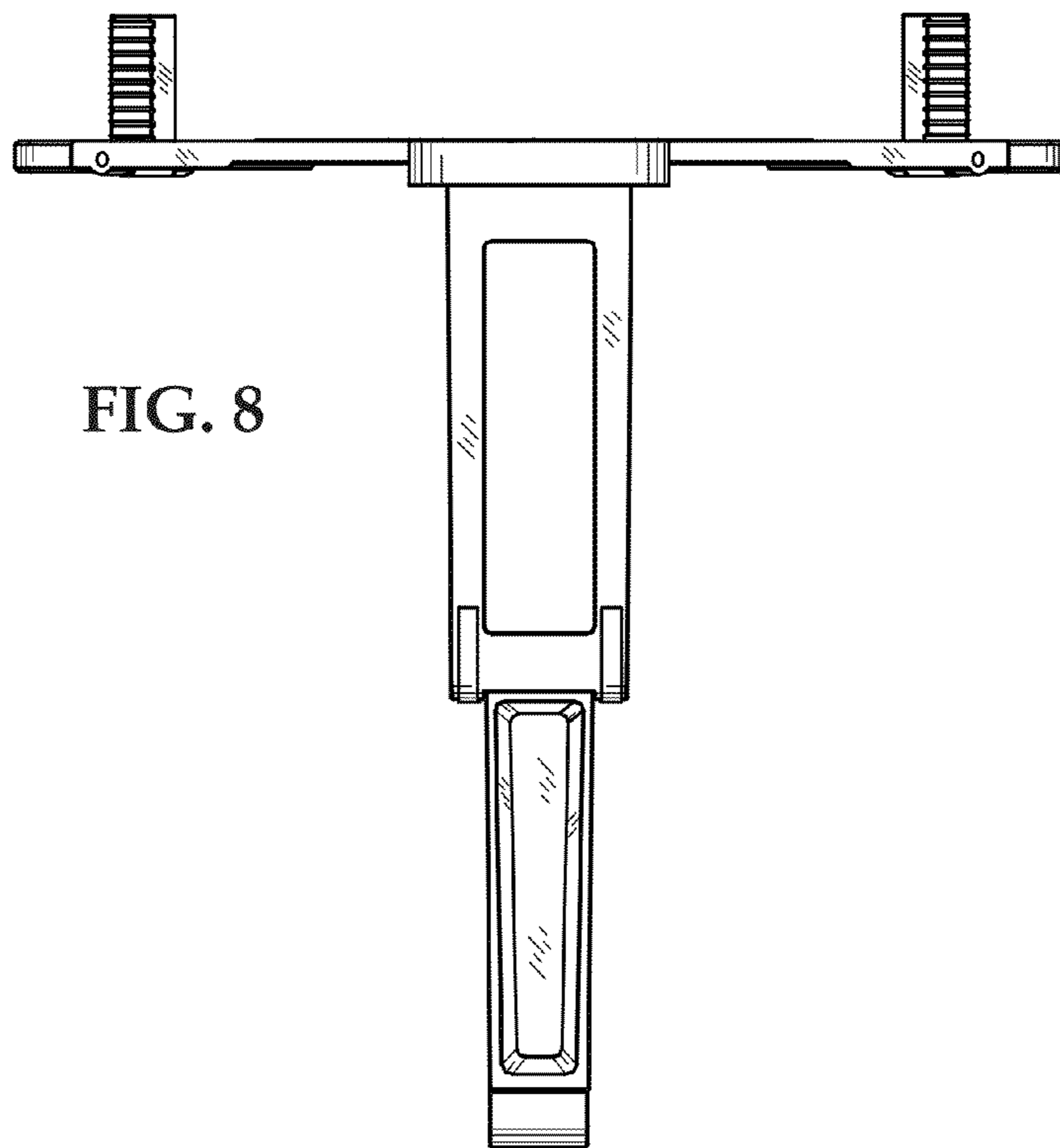


FIG. 8

FIG. 9

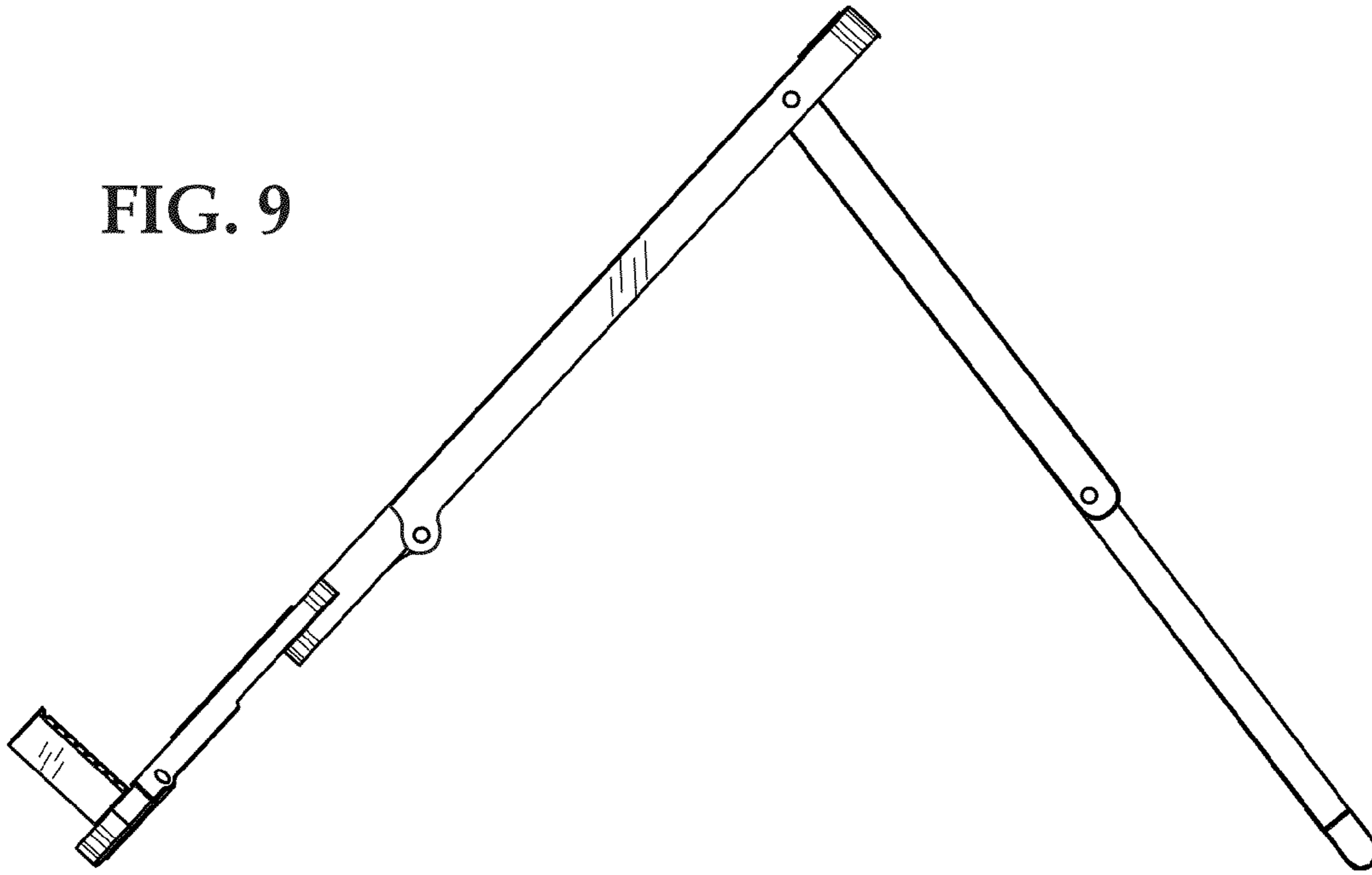
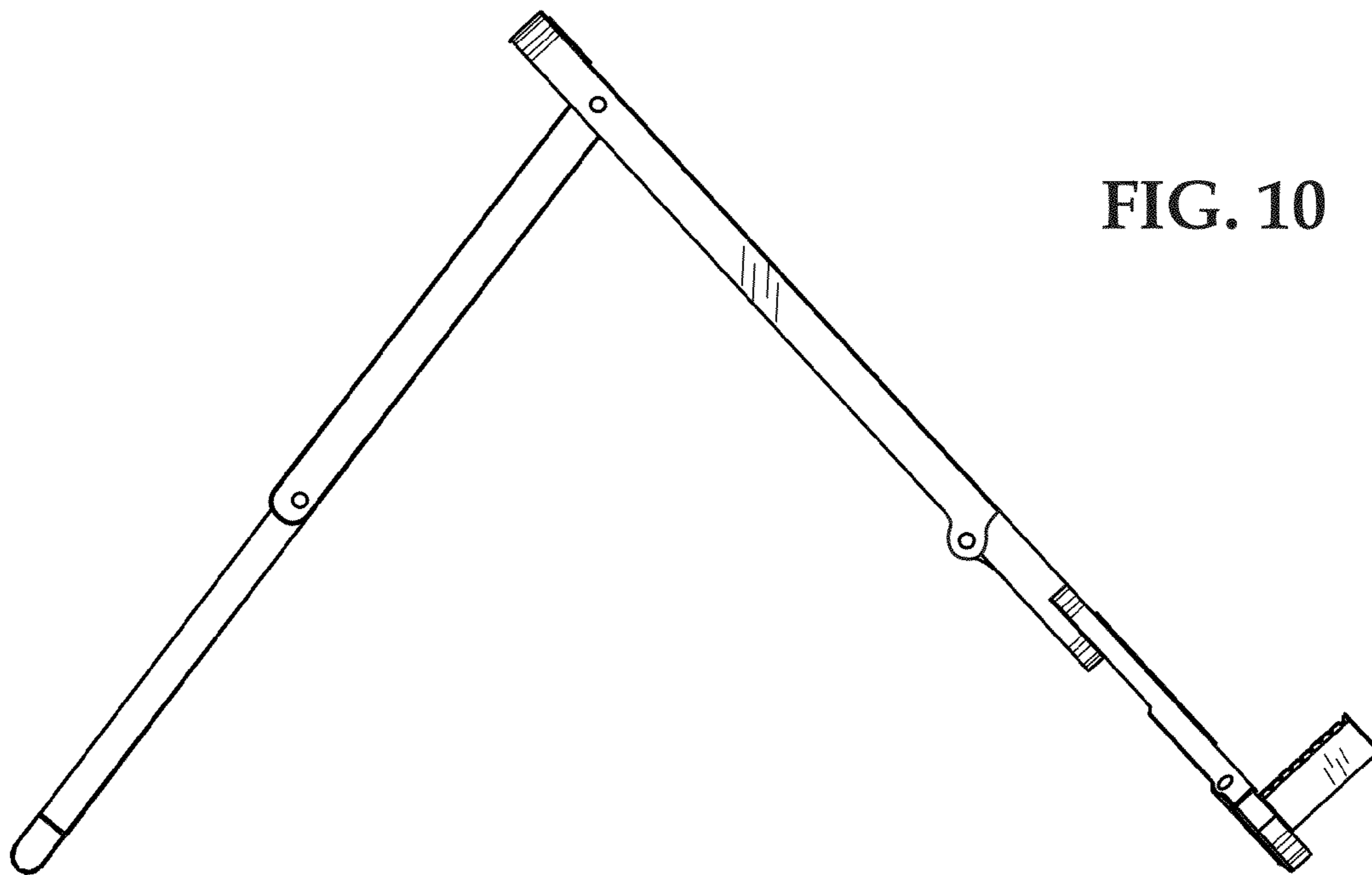
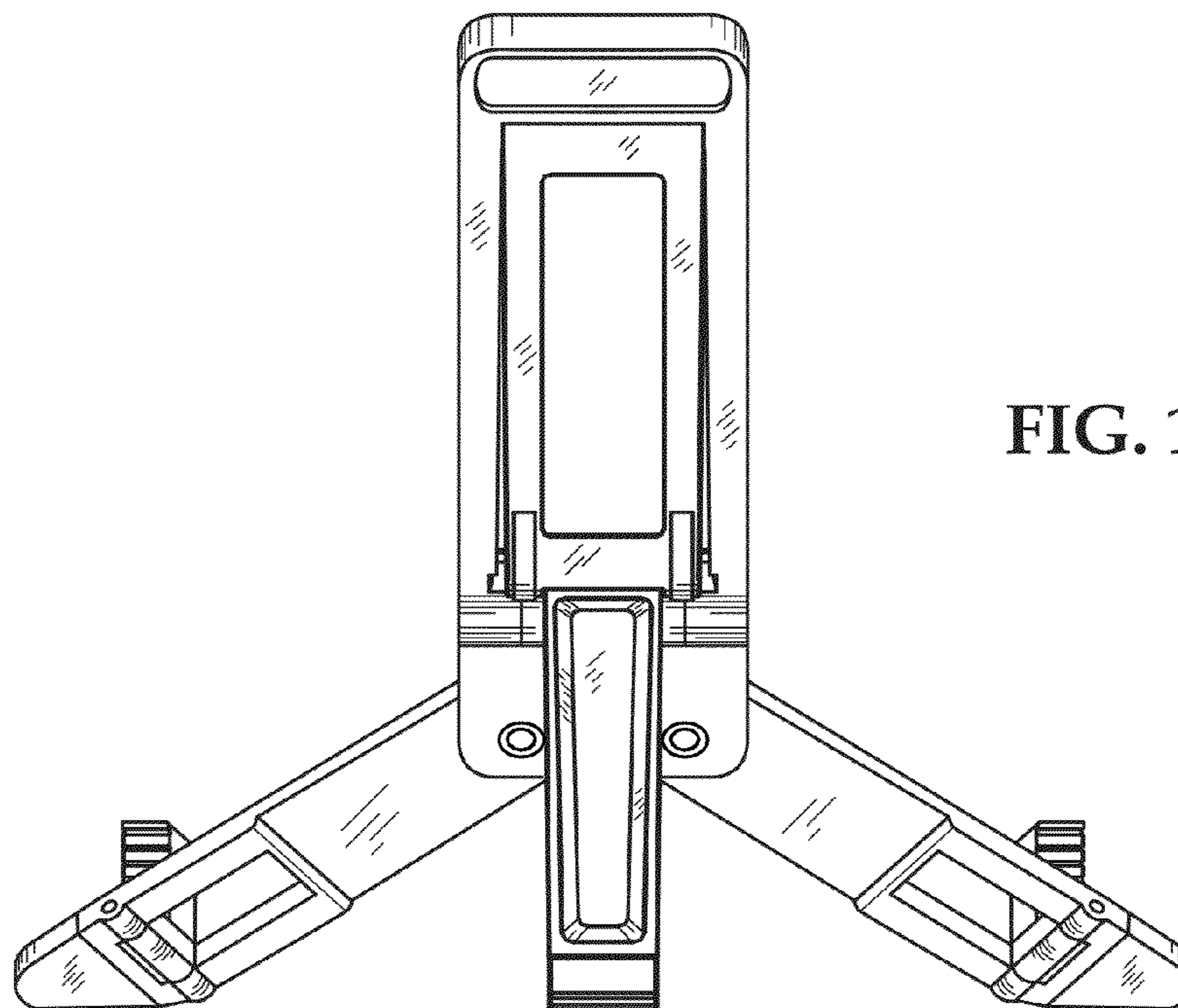
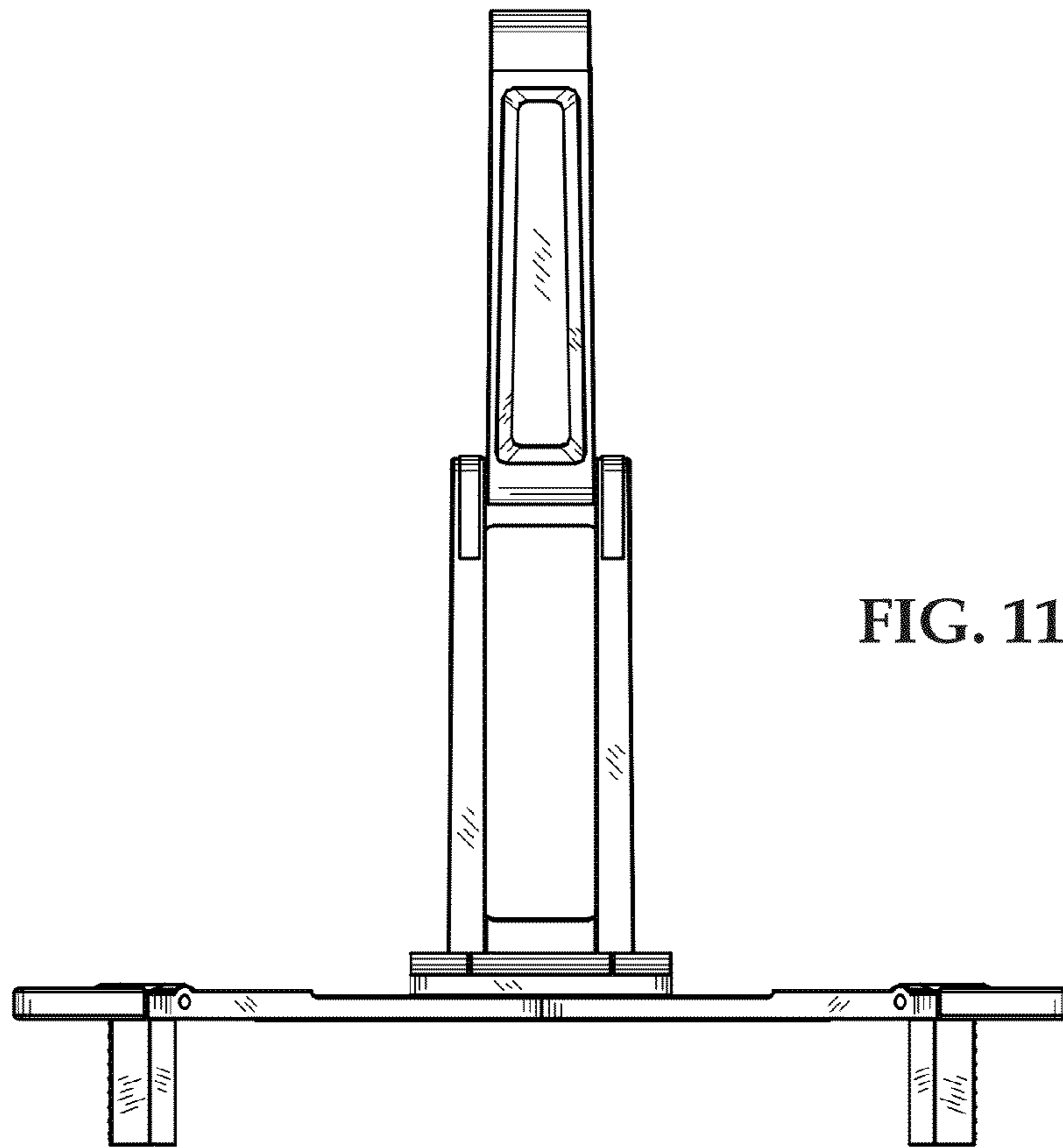


FIG. 10





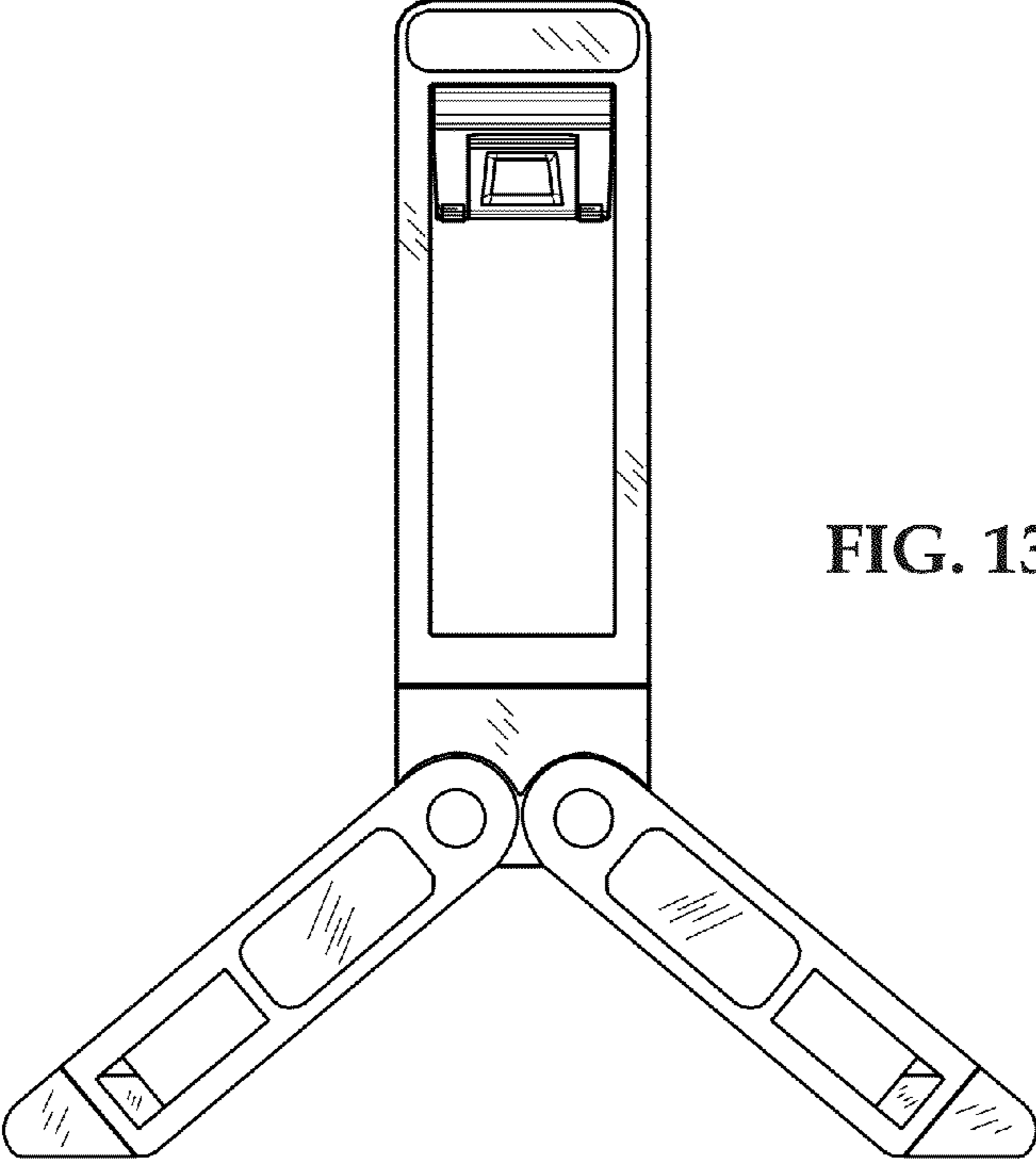


FIG. 13

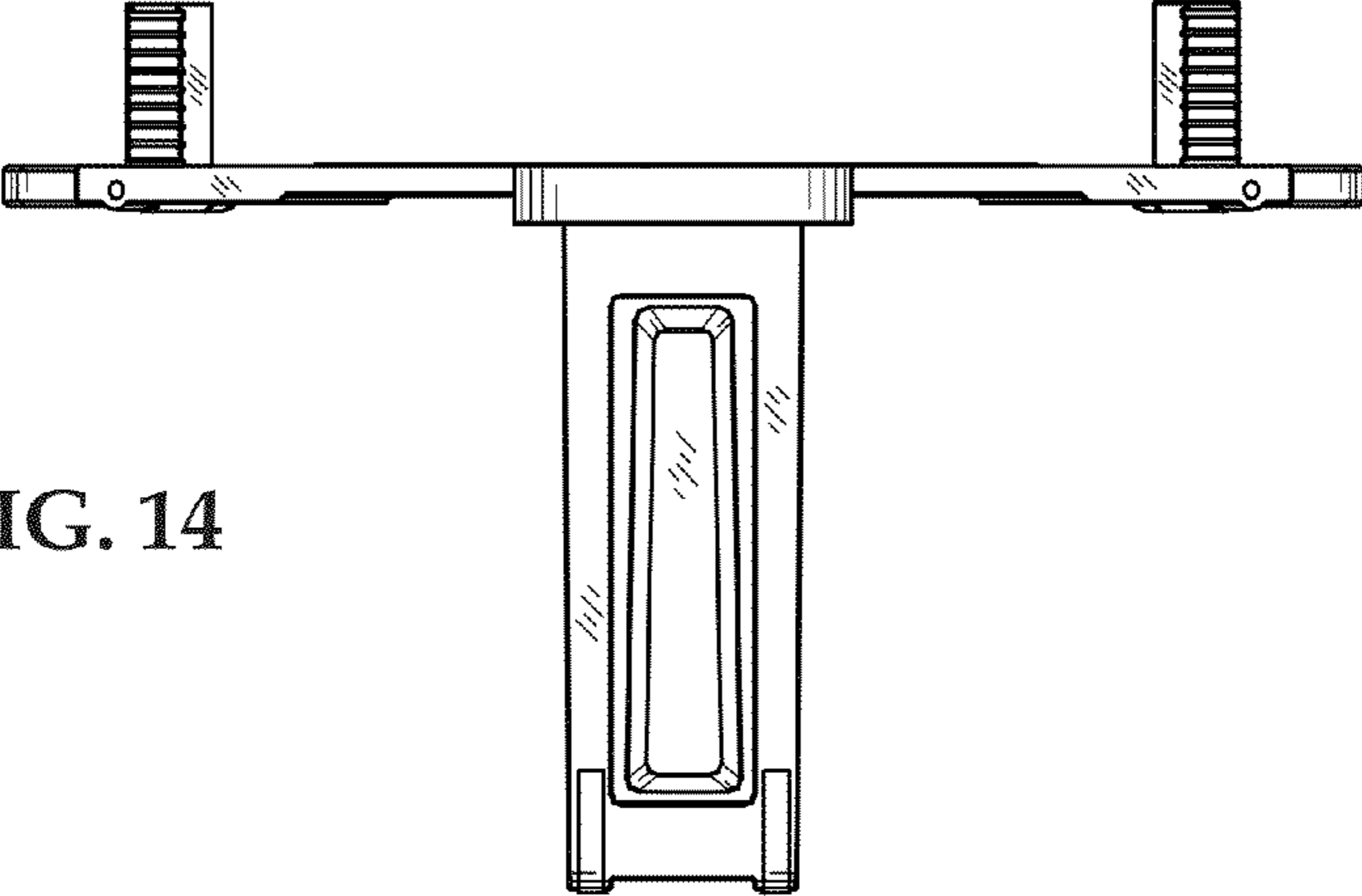


FIG. 14

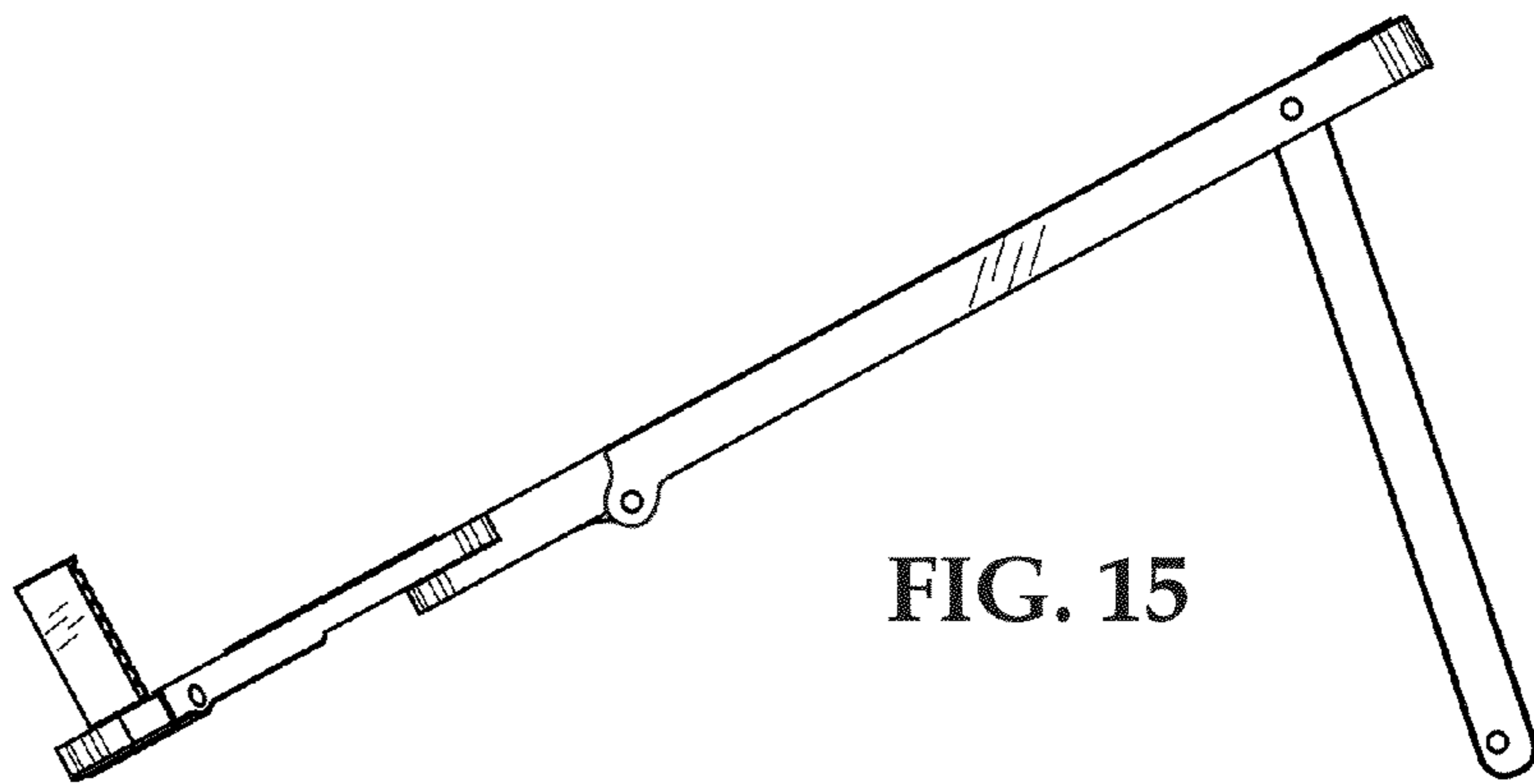


FIG. 15

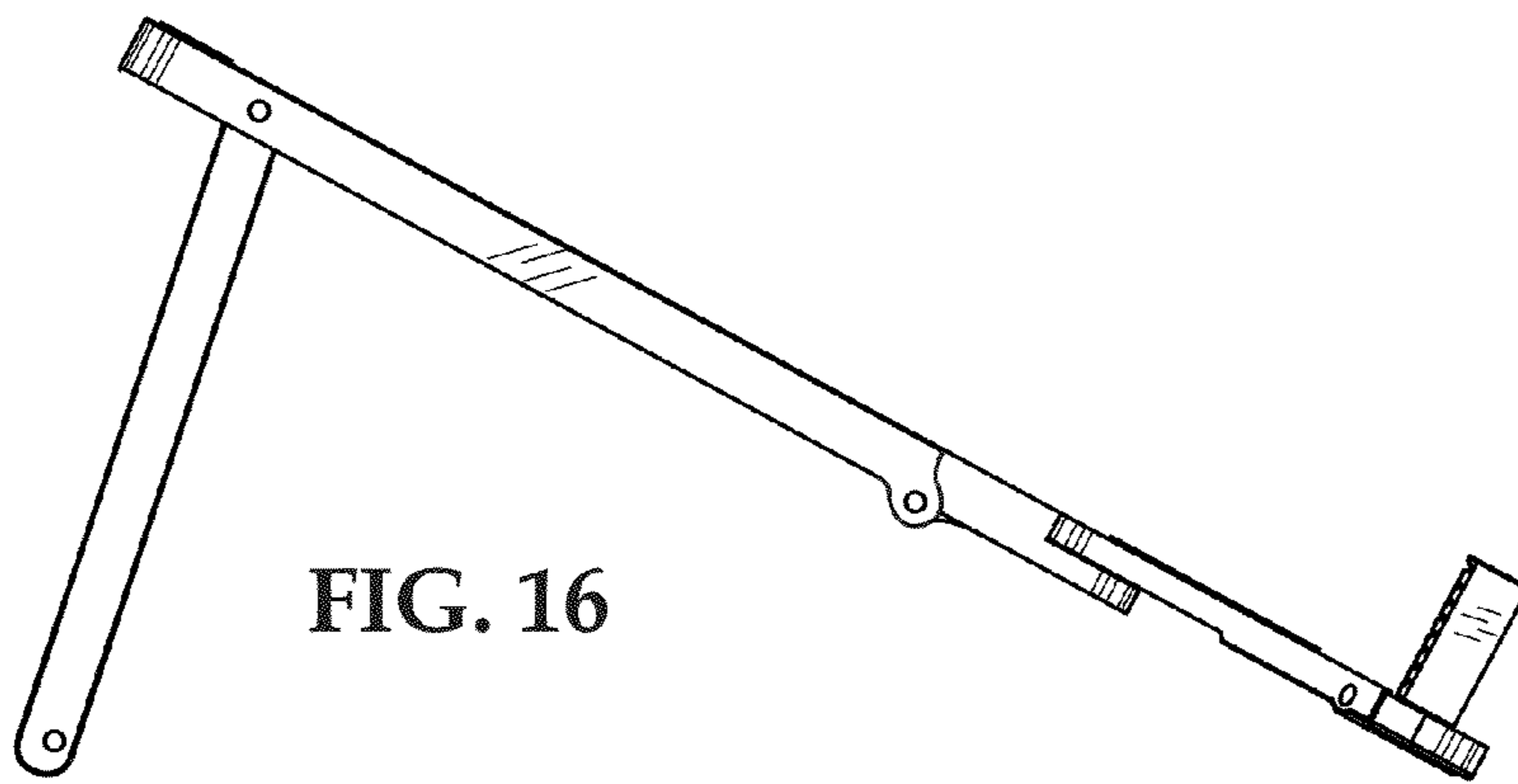


FIG. 16

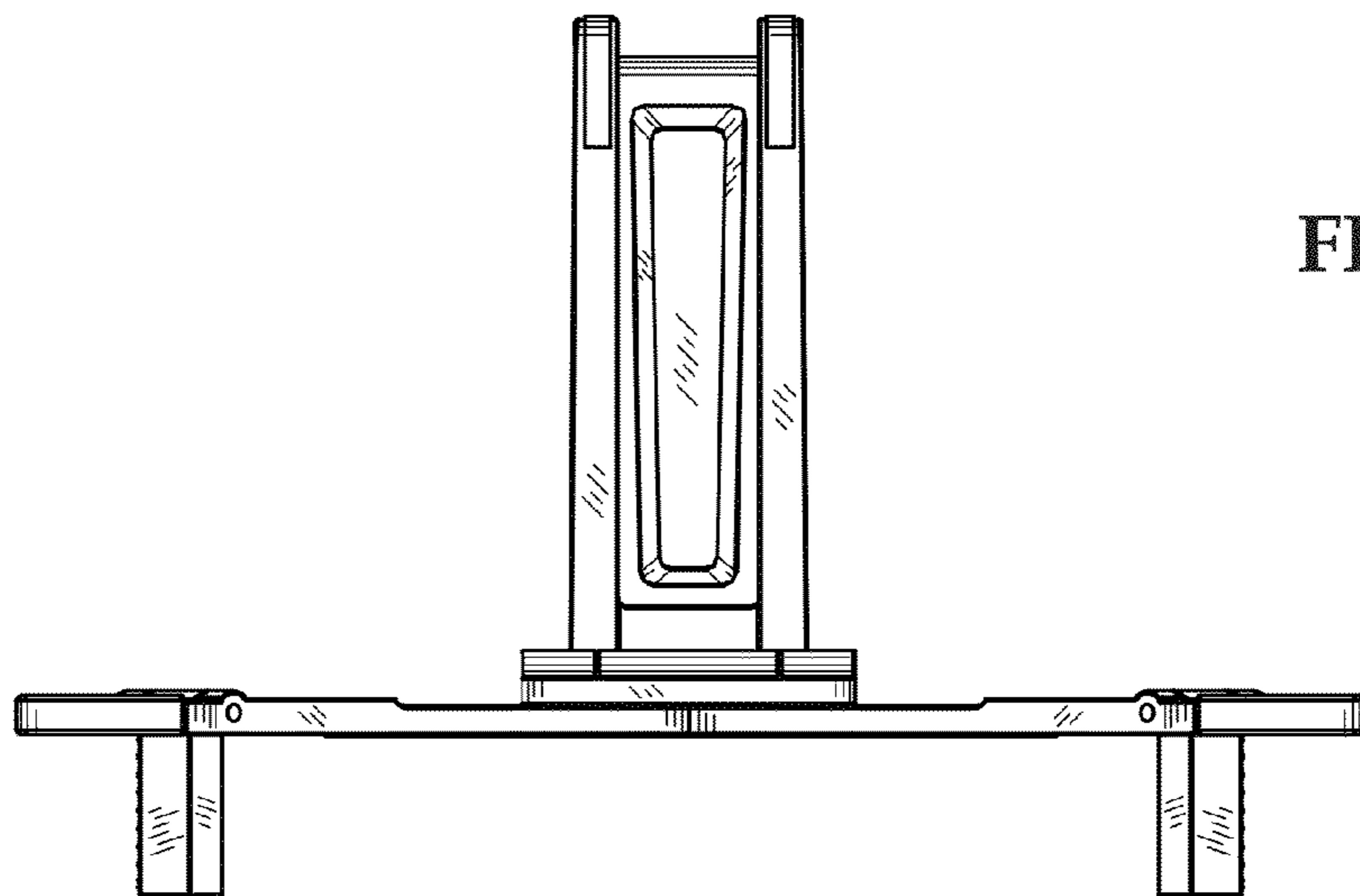


FIG. 17

FIG. 18

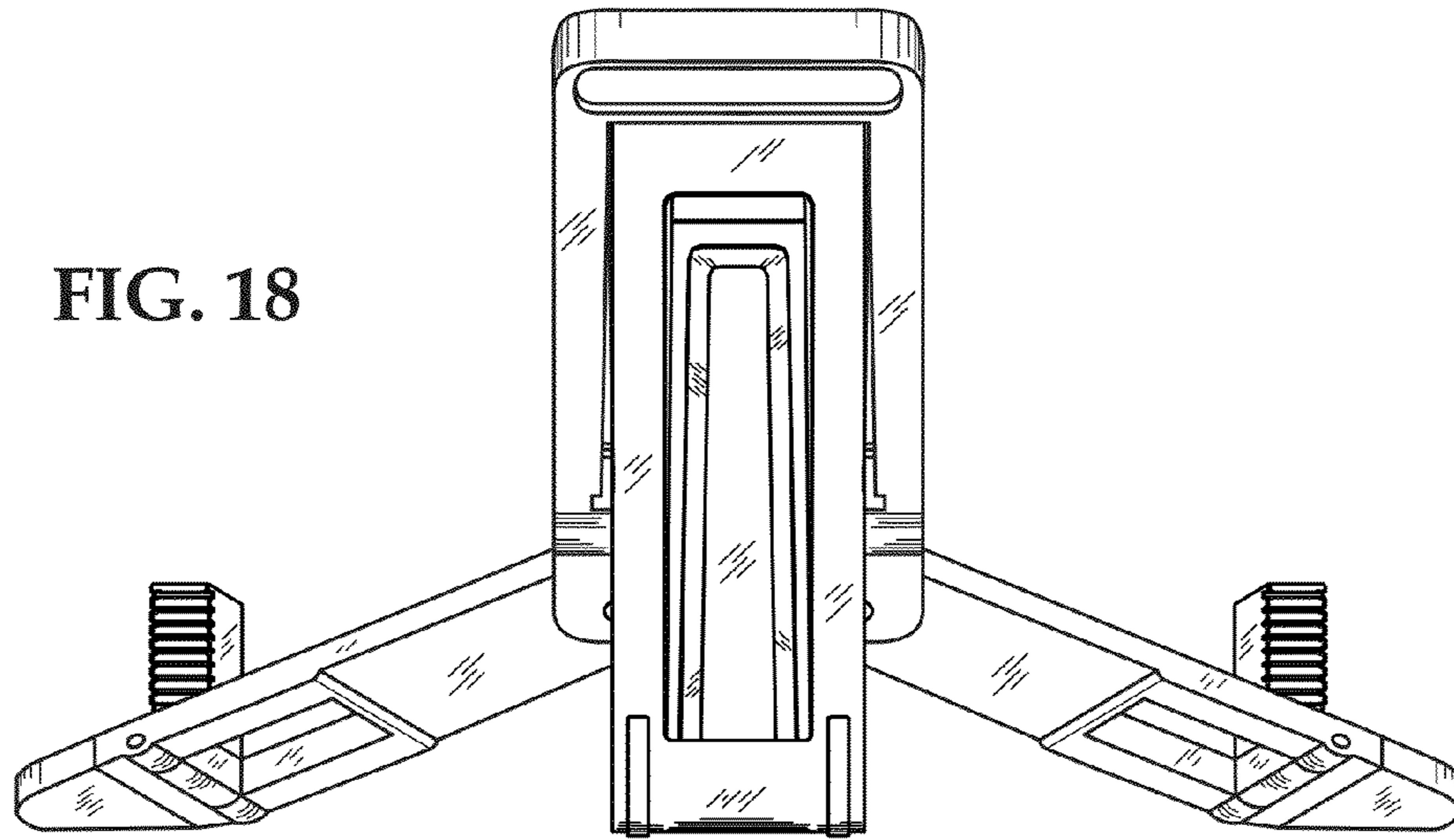
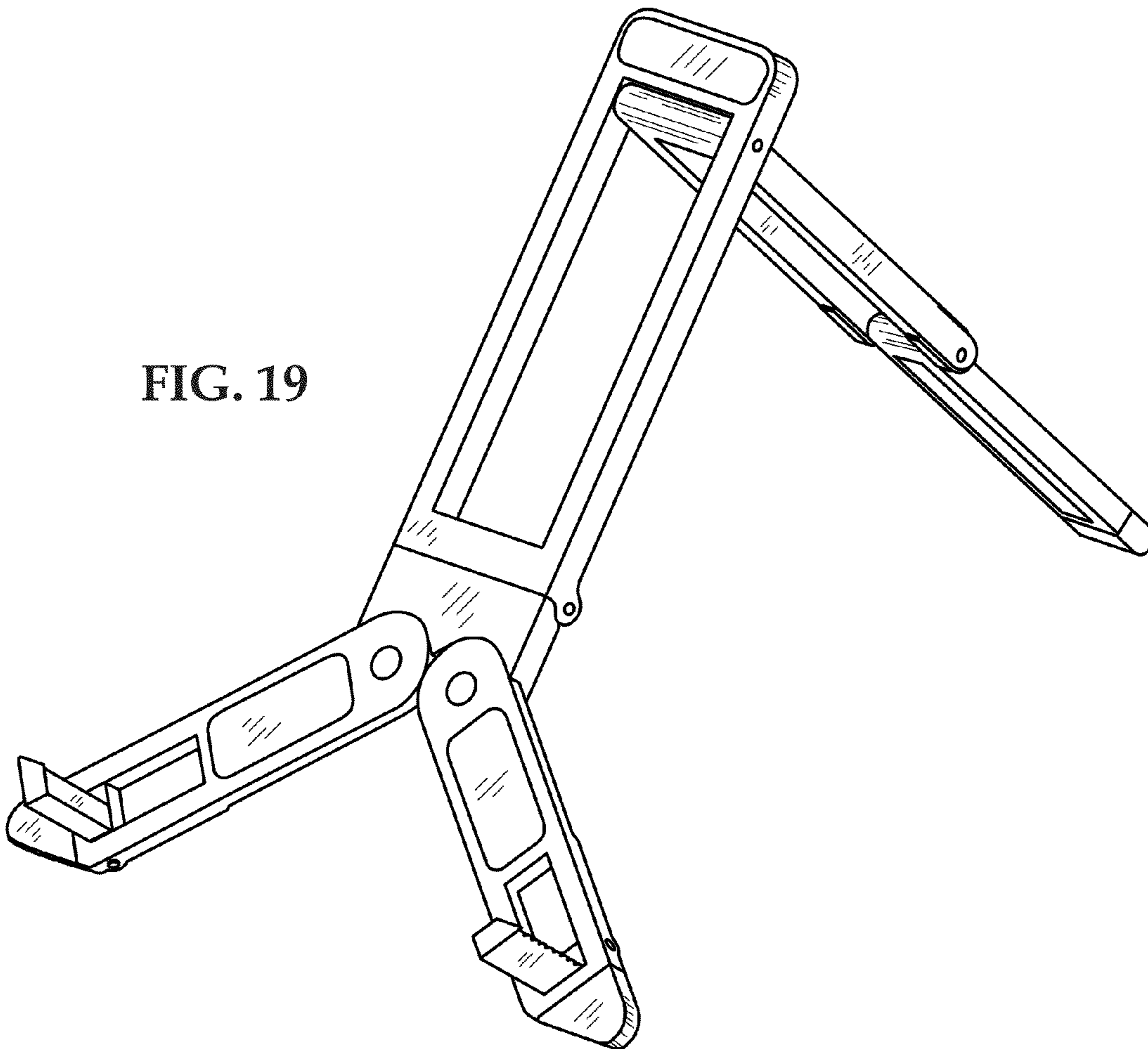


FIG. 19



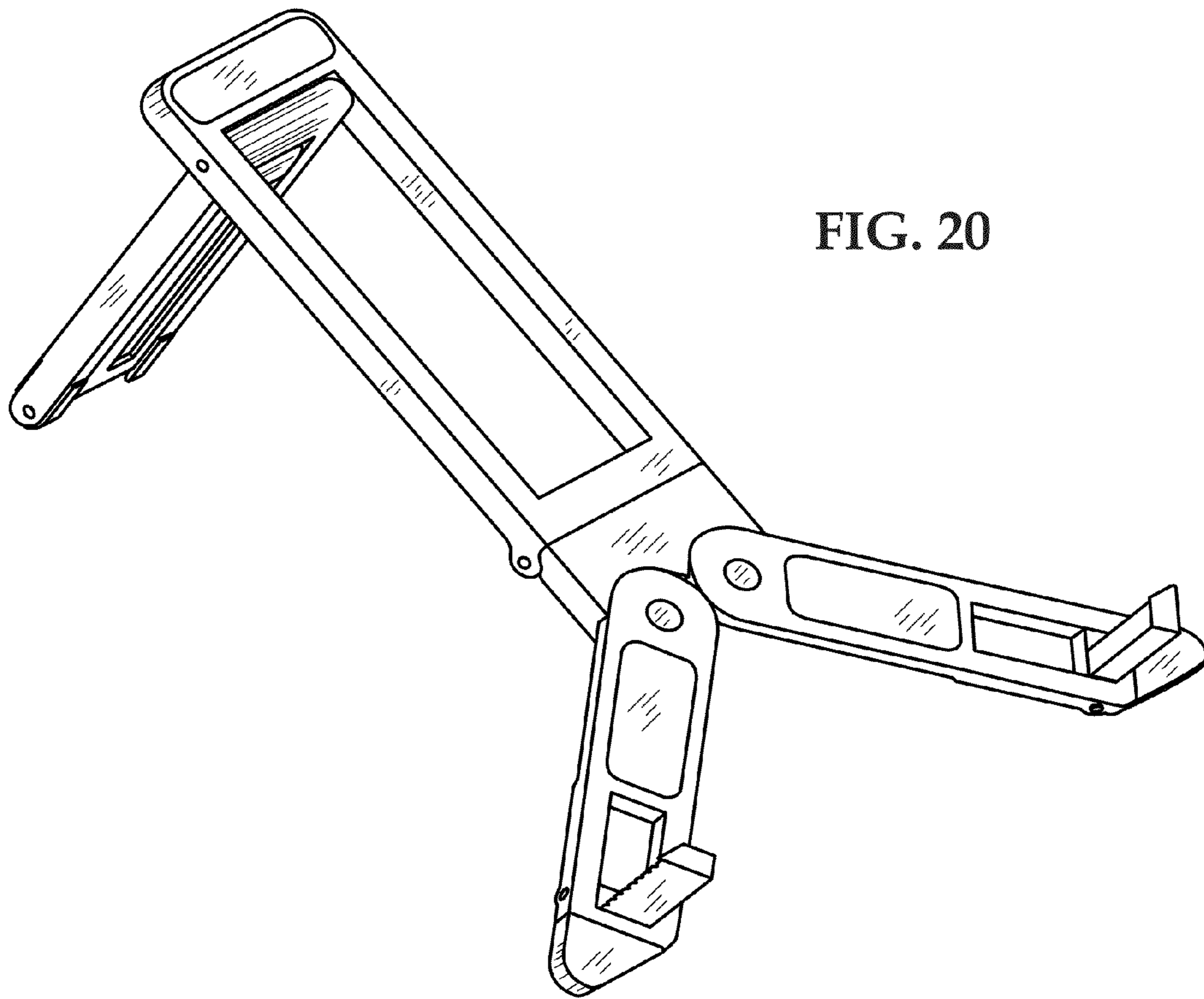


FIG. 20

FIG. 21

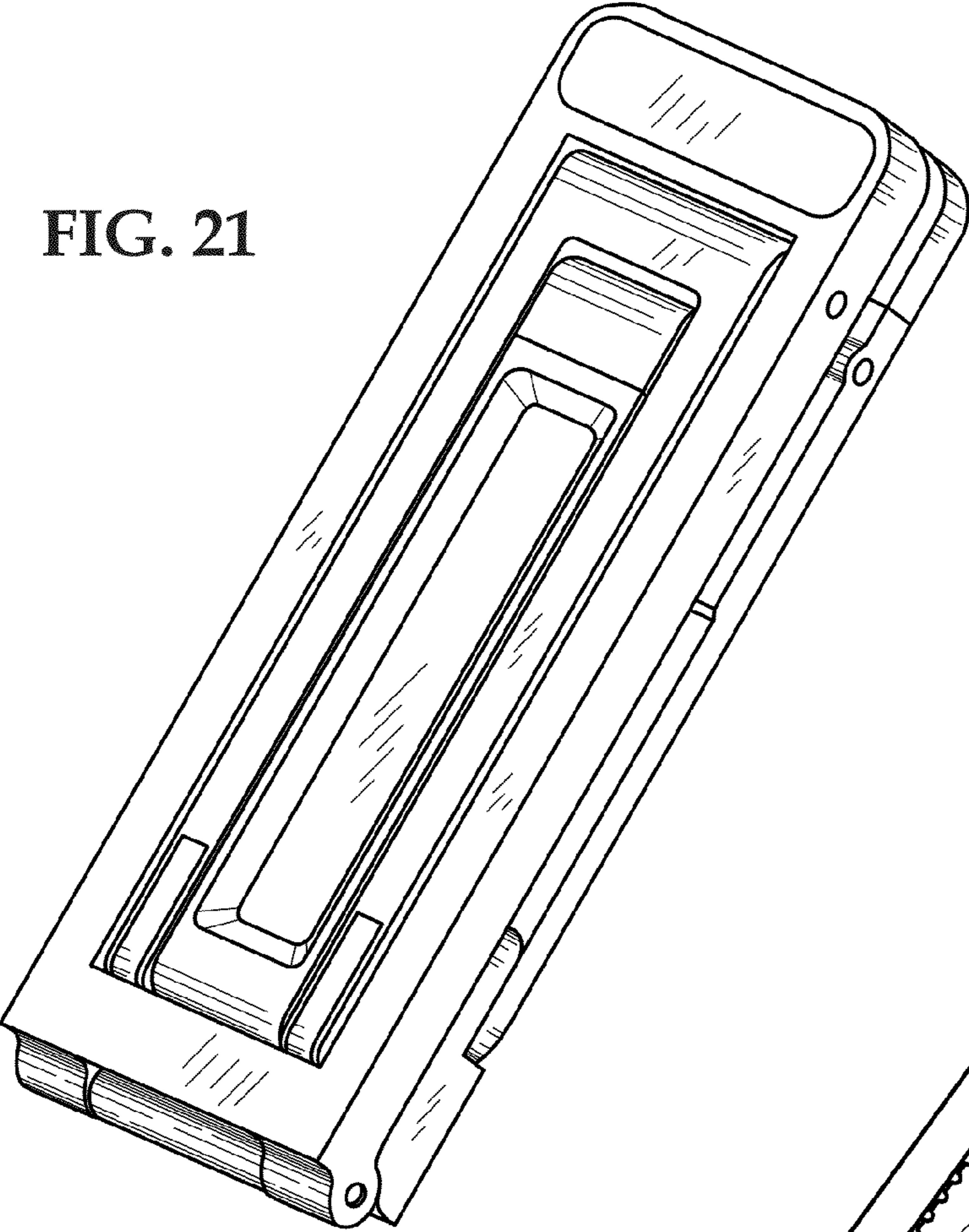


FIG. 22

