



US00D685376S

(12) **United States Design Patent**
Kim

(10) **Patent No.:** **US D685,376 S**
(45) **Date of Patent:** **** Jul. 2, 2013**

(54) **HANDGRIP OF TABLET PC**

(76) Inventor: **Yong Sun Kim**, Gunsan-si (KR)

(**) Term: **14 Years**

(21) Appl. No.: **29/423,413**

(22) Filed: **May 31, 2012**

(30) **Foreign Application Priority Data**

Dec. 2, 2011 (KR) 30-2011-0051146

(51) **LOC (9) Cl.** **14-02**

(52) **U.S. Cl.**
USPC **D14/439**

(58) **Field of Classification Search**
USPC D14/300–302, 308–313, 314, 348,
D14/353–355, 432, 439–446, 447, 451;
361/679.02, 679.31, 679.5, 690, 694, 679.23,
361/801, 802; 312/332.1, 334.1; D19/65,
D19/91; D3/218; D8/354; D12/193

See application file for complete search history.

(56) **References Cited**

U.S. PATENT DOCUMENTS

D315,863 S *	4/1991	Shui-Mu	D8/380
D394,646 S *	5/1998	Ratzlaff	D14/451
D473,562 S *	4/2003	Russell	D14/447
D473,563 S *	4/2003	Russell	D14/447
6,616,111 B1 *	9/2003	White	248/309.1
D539,291 S *	3/2007	Li et al.	D14/447
D558,771 S *	1/2008	Derry et al.	D14/447
D560,470 S *	1/2008	Short et al.	D8/354
D577,026 S *	9/2008	Wang et al.	D14/439
D584,733 S *	1/2009	Dearborn et al.	D14/439
D587,273 S *	2/2009	Sculler et al.	D14/451
D637,593 S *	5/2011	Zanetti	D14/253

D641,610 S *	7/2011	Sedalo	D8/354
D645,085 S *	9/2011	Jung	D19/65
D647,895 S *	11/2011	Fathollahi	D14/250
D652,836 S *	1/2012	Voorhees	D14/447
D666,205 S *	8/2012	Li et al.	D14/452
D669,890 S *	10/2012	Hopkins et al.	D14/251
D673,960 S *	1/2013	Lindfield et al.	D14/447
D674,803 S *	1/2013	Westrup	D14/440
D674,804 S *	1/2013	Cote	D14/447
2004/0025993 A1 *	2/2004	Russell	150/154
2009/0171397 A1 *	7/2009	Rothman et al.	606/280
2011/0192269 A1 *	8/2011	Voorhees	84/421
2012/0091312 A1 *	4/2012	Baker	248/682

* cited by examiner

Primary Examiner — Austin Murphy

(74) *Attorney, Agent, or Firm* — Stein IP, LLC

(57) **CLAIM**

The design for a handgrip of tablet PC, as described and shown in the forgoing application.

DESCRIPTION

FIG. 1 is a perspective view of the handgrip;
FIG. 2 is a front view of the handgrip of FIG. 1;
FIG. 3 is a rear view of the handgrip of FIG. 1;
FIG. 4 is a left side view of the handgrip of FIG. 1;
FIG. 5 is a top view of the handgrip of FIG. 1; and,
FIG. 6 is a reference view of the handgrip of FIG. 1.

The present design is a shape of a handgrip formed on the surface of a tablet PC protection cover.

A main plate to be adhered to tablet PC is made of a synthetic resin, and a handgrip thereof is made of leather or a synthetic resin textile.

The broken lines shown in the drawings form no part of the claimed design.

1 Claim, 5 Drawing Sheets

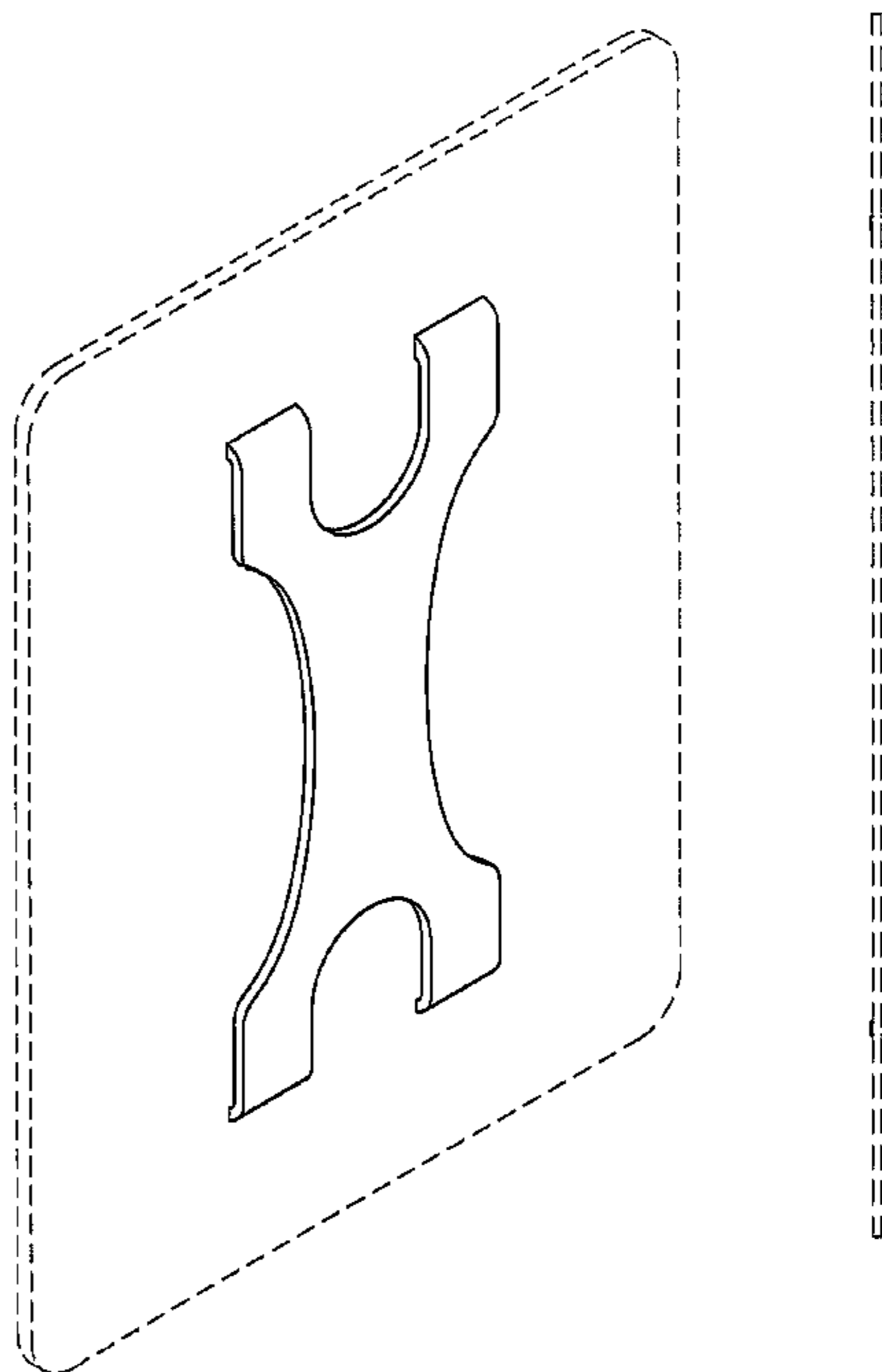


FIG. 1

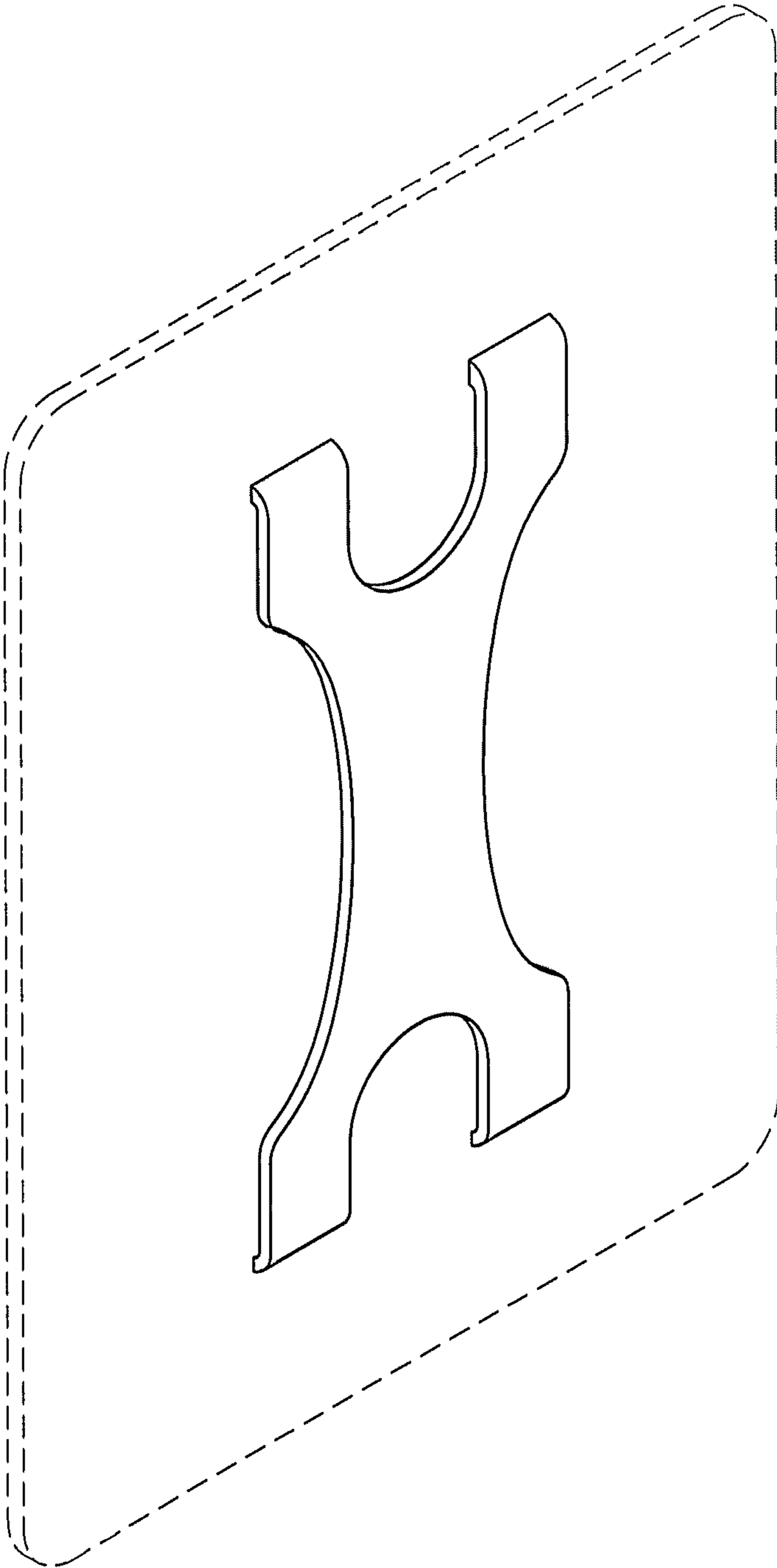


FIG. 2

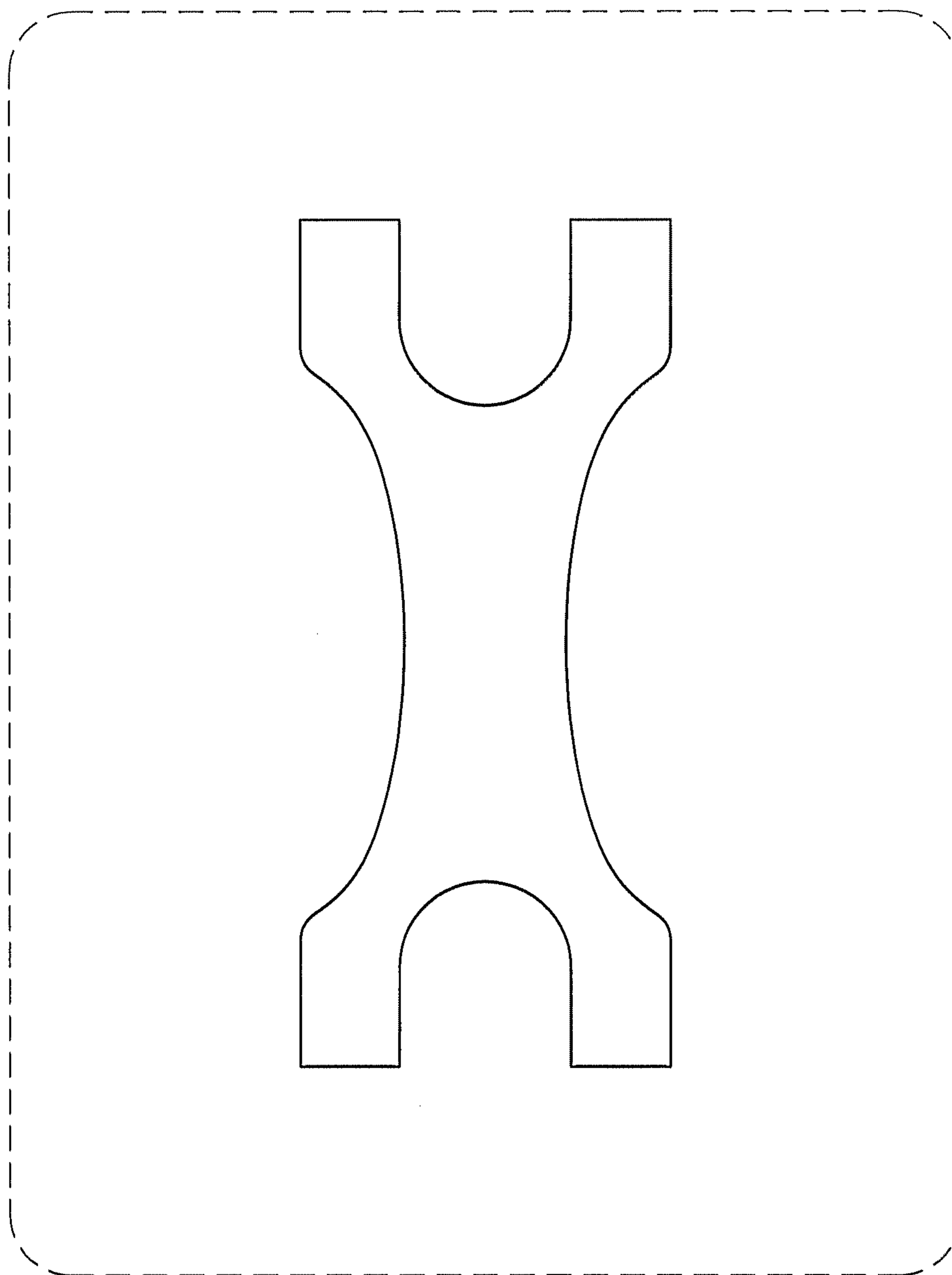


FIG. 3

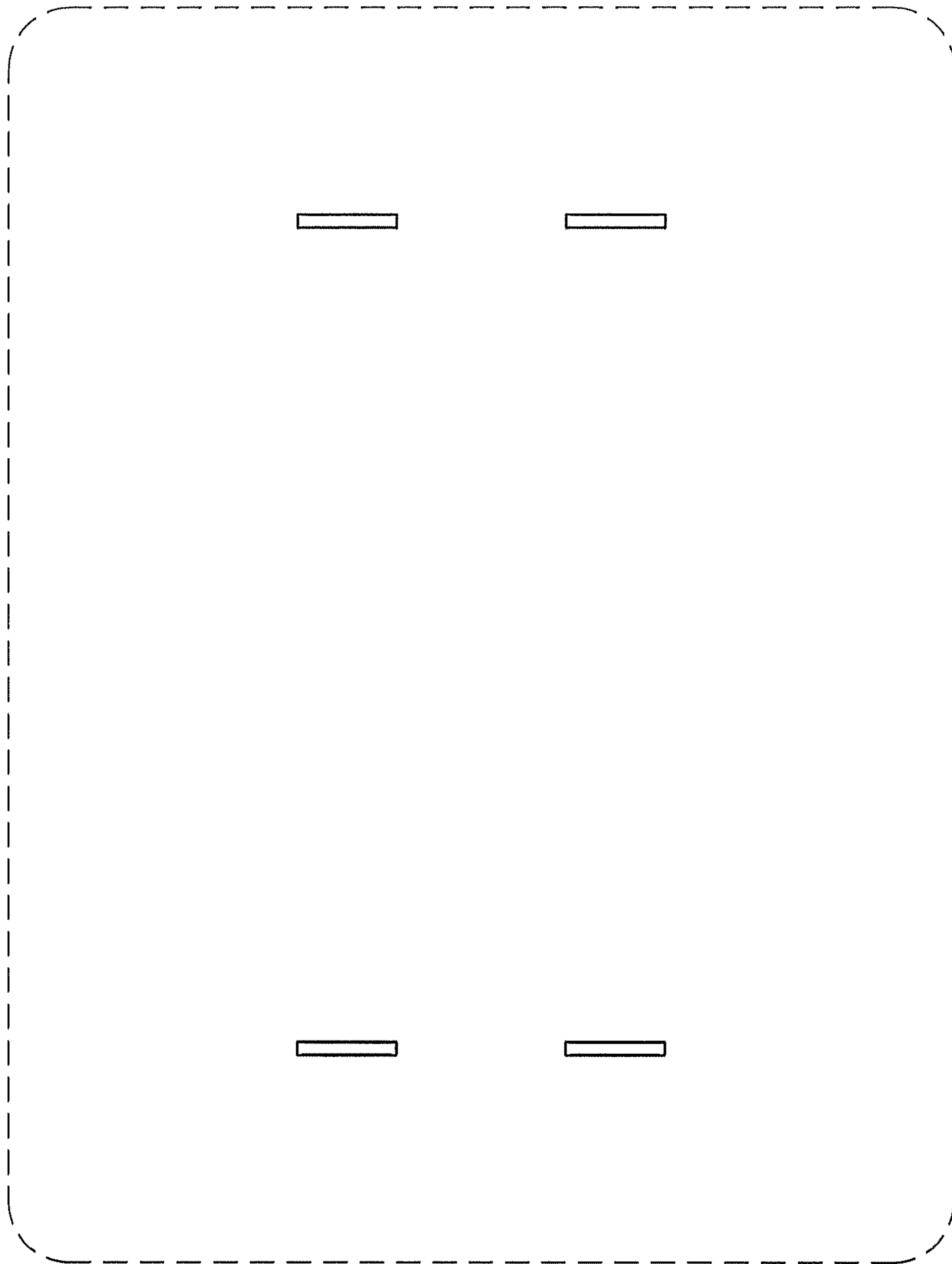


FIG. 4



FIG. 5



FIG. 6

