



US00D685375S

(12) **United States Design Patent**
Steinberger

(10) **Patent No.:** **US D685,375 S**
(45) **Date of Patent:** **** Jul. 2, 2013**

(54) **MEMORY OR CHIP CARD**

(76) Inventor: **Daniela Steinberger**, Frankfurt am Main (DE)

(**) Term: **14 Years**

(21) Appl. No.: **29/422,274**

(22) Filed: **May 18, 2012**

(51) **LOC (9) Cl.** **14-02**

(52) **U.S. Cl.**
USPC **D14/436**

(58) **Field of Classification Search**

USPC D14/435-437, 478-480, 485-495, D14/474; D13/182; 369/275.1-275.5, 44.26, 369/100, 52.1, 272, 273, 280-288; 283/81, 283/74, 75; 720/718; 435/6, 287.2; 604/891.1; 216/2; D11/80, 7, 79, 85, 97, 99, 107, 108, D11/82, 137, 105; 235/492, 488; 361/737; D20/22, 27, 41, 42, 10, 17; D3/207-212, D3/270-271.3; D26/38; 206/37.1, 38.1; D6/302-304; D24/199; 70/456 R, 456 B, 70/458, 459; 24/3.6; D21/610, 611, 626, D21/385, 381-384, 334-368, 376-380; 40/310, 40/665, 300-302, 633, 612, 662, 547, 586; D8/1, 34, 38, 18; 239/57; 362/812; D10/33, D10/109; D2/976; D7/619.2; 273/236-288, 273/148 R, 161, 304, 308; D19/1

See application file for complete search history.

(56) **References Cited**

U.S. PATENT DOCUMENTS

D44,924 S *	11/1913	Howard	D20/23
D52,580 S *	10/1918	Johnston et al.	D20/36
D143,240 S *	12/1945	Foggi et al.	D21/384
D259,048 S *	4/1981	Peterson	D19/33
D278,242 S *	4/1985	Saito	D14/479
D280,214 S *	8/1985	Opel	D19/10
D287,253 S *	12/1986	Satake	D18/12
4,643,452 A *	2/1987	Chang	283/62

4,714,980 A *	12/1987	Hara	361/679.31
D297,147 S *	8/1988	Allyn	D18/26
D304,448 S *	11/1989	De La Cruz et al.	D14/436
D305,887 S *	2/1990	Nishimura	D14/436
4,931,623 A *	6/1990	Nakamura et al.	235/488
D310,386 S *	9/1990	Michels et al.	D19/10
5,049,728 A *	9/1991	Rovin	235/492
D340,265 S *	10/1993	St. Pierre	D21/376
D346,160 S *	4/1994	Nagase et al.	D14/260
D352,330 S *	11/1994	Smith	D21/382
5,383,687 A *	1/1995	Suess et al.	283/86
5,412,192 A *	5/1995	Hoss	235/380
5,660,568 A *	8/1997	Moshayedi	439/654
D396,882 S *	8/1998	Neal, Jr.	D19/10
D409,672 S *	5/1999	Halbritter et al.	D21/376
D410,039 S *	5/1999	McClellan	D21/376
D415,209 S *	10/1999	Kingsley et al.	D21/376
D417,235 S *	11/1999	Malik et al.	D19/9
D429,733 S *	8/2000	Jones et al.	D14/479

(Continued)

Primary Examiner — Susan Moon Lee

(74) *Attorney, Agent, or Firm* — Cahn & Samuels, LLP

(57) **CLAIM**

The ornamental design for a memory or chip card, as shown and described.

DESCRIPTION

FIG. 1 illustrates a top perspective view of a memory or chip card.

FIG. 2 illustrates a bottom perspective view of the memory or chip card of FIG. 1.

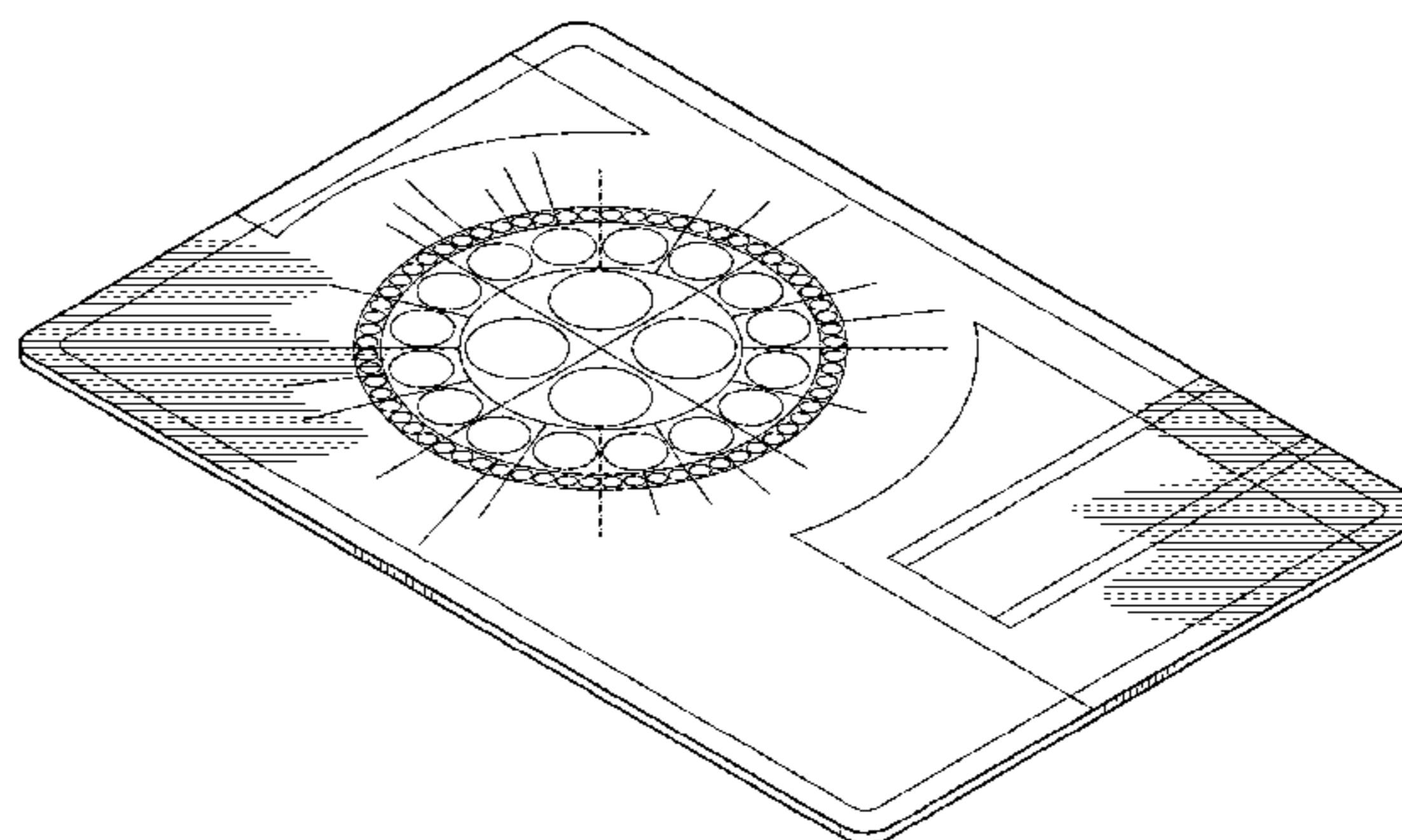
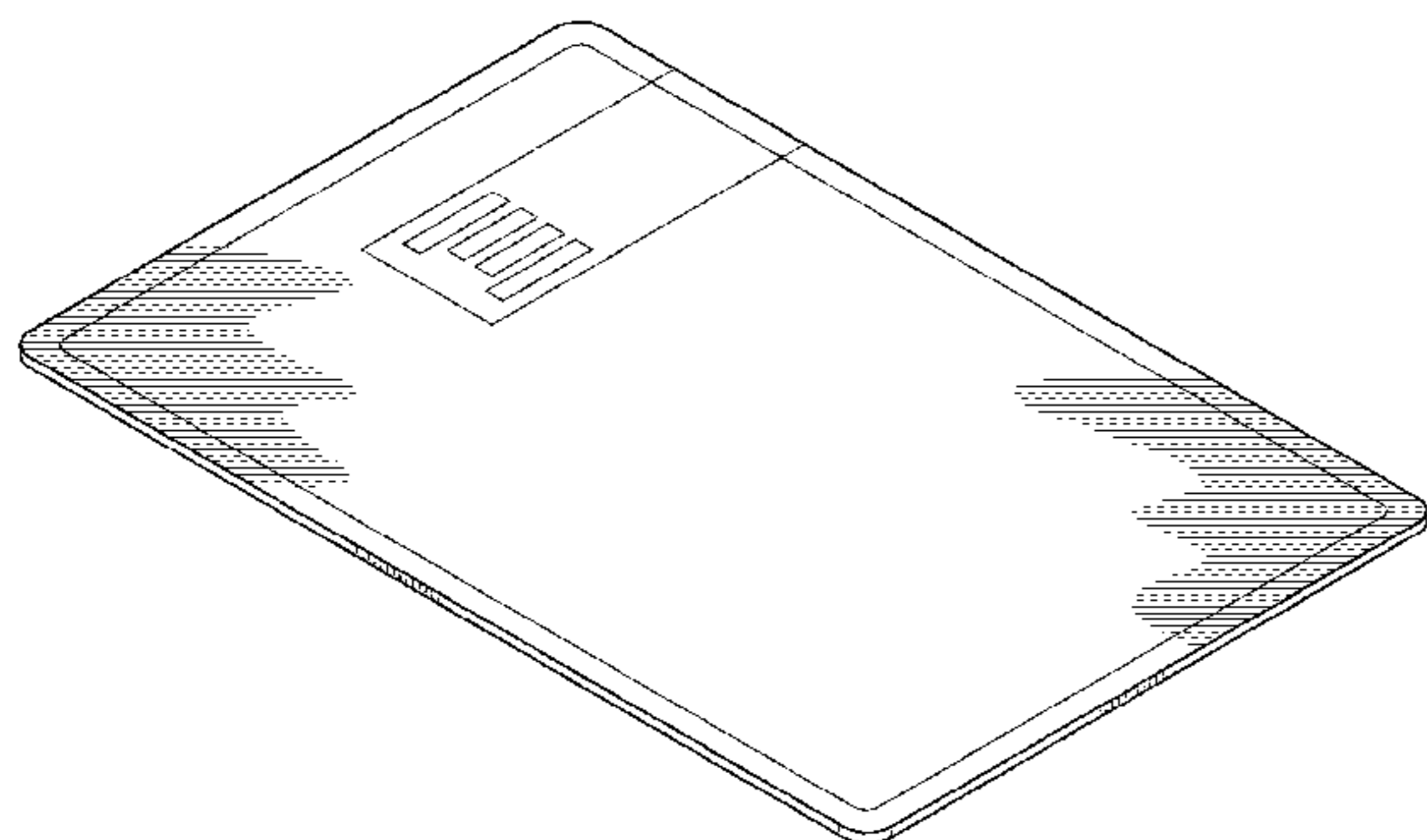
FIG. 3 illustrates a top view of the memory or chip card of FIG. 1.

FIG. 4 illustrates a bottom view of the memory or chip card of FIG. 1.

FIG. 5 illustrates a longitudinal side view of the memory or chip card of FIG. 1; and,

FIG. 6 illustrates a lateral side view of the memory or chip card of FIG. 1.

1 Claim, 2 Drawing Sheets



U.S. PATENT DOCUMENTS

D435,257	S *	12/2000	Woods	D14/485
D436,991	S *	1/2001	Morgante	D19/9
D458,611	S *	6/2002	Gallo	D14/485
6,424,029	B1 *	7/2002	Giesler	257/679
D464,360	S *	10/2002	Grundel et al.	D14/485
D474,195	S *	5/2003	Kates et al.	D14/485
6,567,273	B1 *	5/2003	Liu et al.	361/737
6,676,420	B1 *	1/2004	Liu et al.	439/131
D486,179	S *	2/2004	True	D19/9
D493,471	S *	7/2004	McIntosh	D14/485
D496,337	S *	9/2004	Kaizu et al.	D13/173
D496,940	S *	10/2004	Fetterman	D14/485
D497,367	S *	10/2004	Wasko et al.	D14/489
6,808,424	B2 *	10/2004	Kaneshiro et al.	439/638
6,865,086	B2 *	3/2005	Gochnour et al.	361/737
6,883,718	B1 *	4/2005	Le et al.	235/492
D508,245	S *	8/2005	Ozolins et al.	D14/383
D516,564	S *	3/2006	McDonald et al.	D14/436
D517,073	S *	3/2006	McDonald et al.	D14/436
7,040,919	B2 *	5/2006	Yao	439/502
D526,651	S *	8/2006	Hoogerdijk	D14/436
7,136,288	B2 *	11/2006	Hoogerdijk	361/737
D535,992	S *	1/2007	Ozolins et al.	D14/383
D536,381	S *	2/2007	Cho	D20/23
D544,496	S *	6/2007	Evans et al.	D14/489
D545,323	S *	6/2007	Decombe	D14/485
D549,722	S *	8/2007	Ito et al.	D14/488
D550,696	S *	9/2007	Kortum et al.	D14/491
D553,130	S *	10/2007	Fiorentino	D14/436
D558,199	S *	12/2007	Fiorentino	D14/436
7,306,163	B2 *	12/2007	Scholz et al.	235/492
D561,187	S *	2/2008	Kunioka et al.	D14/436
D562,817	S *	2/2008	Fiorentino	D14/436
7,334,725	B2 *	2/2008	Dan	235/380
7,344,072	B2 *	3/2008	Gonzalez et al.	235/441
D566,722	S *	4/2008	Jackson	D14/489
7,377,448	B2 *	5/2008	Dan et al.	235/492
D591,305	S *	4/2009	Shimoda	D14/485
D593,107	S *	5/2009	Shimoda et al.	D14/485
D598,926	S *	8/2009	Hirsch et al.	D14/485
D598,928	S *	8/2009	Hirsch et al.	D14/485
D599,810	S *	9/2009	Scalisi et al.	D14/485
7,591,416	B2 *	9/2009	Blossom	235/380
7,591,418	B2 *	9/2009	Halbur et al.	235/380
7,591,431	B2 *	9/2009	Lindahl et al.	235/487
D601,570	S *	10/2009	Vu et al.	D14/485
D602,033	S *	10/2009	Vu et al.	D14/485
D607,007	S *	12/2009	Kocmick	D14/489
7,644,867	B2 *	1/2010	Lin et al.	235/486
D619,593	S *	7/2010	Fujioka et al.	D14/485
D620,948	S *	8/2010	Scalisi et al.	D14/485
D622,281	S *	8/2010	Maitlen et al.	D14/485
D622,729	S *	8/2010	Oda et al.	D14/485
D623,303	S *	9/2010	Koivulehto et al.	D24/186
D623,690	S *	9/2010	Skelding et al.	D19/10
D624,926	S *	10/2010	Allen et al.	D14/485
D624,962	S *	10/2010	Lazarowicz et al.	D19/9
D625,319	S *	10/2010	Allen et al.	D14/485
D625,733	S *	10/2010	Anzures	D14/486
D627,360	S *	11/2010	Aarseth	D14/485
7,841,538	B2 *	11/2010	Robertson et al.	235/492
D629,410	S *	12/2010	Ray et al.	D14/485
7,871,013	B2 *	1/2011	Schumann et al.	235/492
D632,298	S *	2/2011	DePaula	D14/436
D632,696	S *	2/2011	Koh et al.	D14/436
D635,186	S *	3/2011	Skelding et al.	D19/9
D635,987	S *	4/2011	Mays et al.	D14/487
D635,988	S *	4/2011	Mays et al.	D14/487
D637,196	S *	5/2011	Ray et al.	D14/486
D643,064	S *	8/2011	Skelding et al.	D19/10
D644,243	S *	8/2011	Matas	D14/489
7,988,061	B2 *	8/2011	Cook et al.	235/493
D647,096	S *	10/2011	Tung et al.	D14/480.1
D647,097	S *	10/2011	Tung et al.	D14/480.1
D650,389	S *	12/2011	Mishima	D14/436
8,118,230	B2 *	2/2012	Selg et al.	235/487
D656,147	S *	3/2012	Schlossstein	D14/480.6
D659,146	S *	5/2012	Koh et al.	D14/436
D659,149	S *	5/2012	Andre	D14/480.6
D659,150	S *	5/2012	Andre	D14/480.7
D665,163	S *	8/2012	Leifeld et al.	D3/203.2
D668,673	S *	10/2012	Molino et al.	D14/489
D672,807	S *	12/2012	Ahrabian	D19/9
8,342,412	B2 *	1/2013	Schacherer et al.	235/487
2002/0116330	A1 *	8/2002	Hed et al.	705/39
2002/0116668	A1 *	8/2002	Chhor et al.	714/42
2003/0056309	A1 *	3/2003	Savard	15/104.061
2003/0085286	A1 *	5/2003	Kelley et al.	235/492
2003/0109179	A1 *	6/2003	Kaneshiro et al.	439/638
2004/0087213	A1 *	5/2004	Kao	439/638
2004/0089717	A1 *	5/2004	Harari et al.	235/441
2004/0139279	A1 *	7/2004	Hoogerdijk	711/115
2005/0077164	A1 *	4/2005	Dhers	200/505
2005/0109841	A1 *	5/2005	Ryan et al.	235/380
2005/0204086	A1 *	9/2005	Le et al.	710/301
2006/0056145	A1 *	3/2006	Wu et al.	361/684
2006/0118639	A1 *	6/2006	Kean et al.	235/492
2006/0180674	A1 *	8/2006	Margalit et al.	235/492
2006/0255158	A1 *	11/2006	Margalit et al.	235/492
2006/0273154	A1 *	12/2006	Dan	235/380
2006/0278723	A1 *	12/2006	Dan et al.	235/492
2007/0252010	A1 *	11/2007	Gonzalez et al.	235/492
2009/0261161	A1 *	10/2009	Blossom	235/380

* cited by examiner

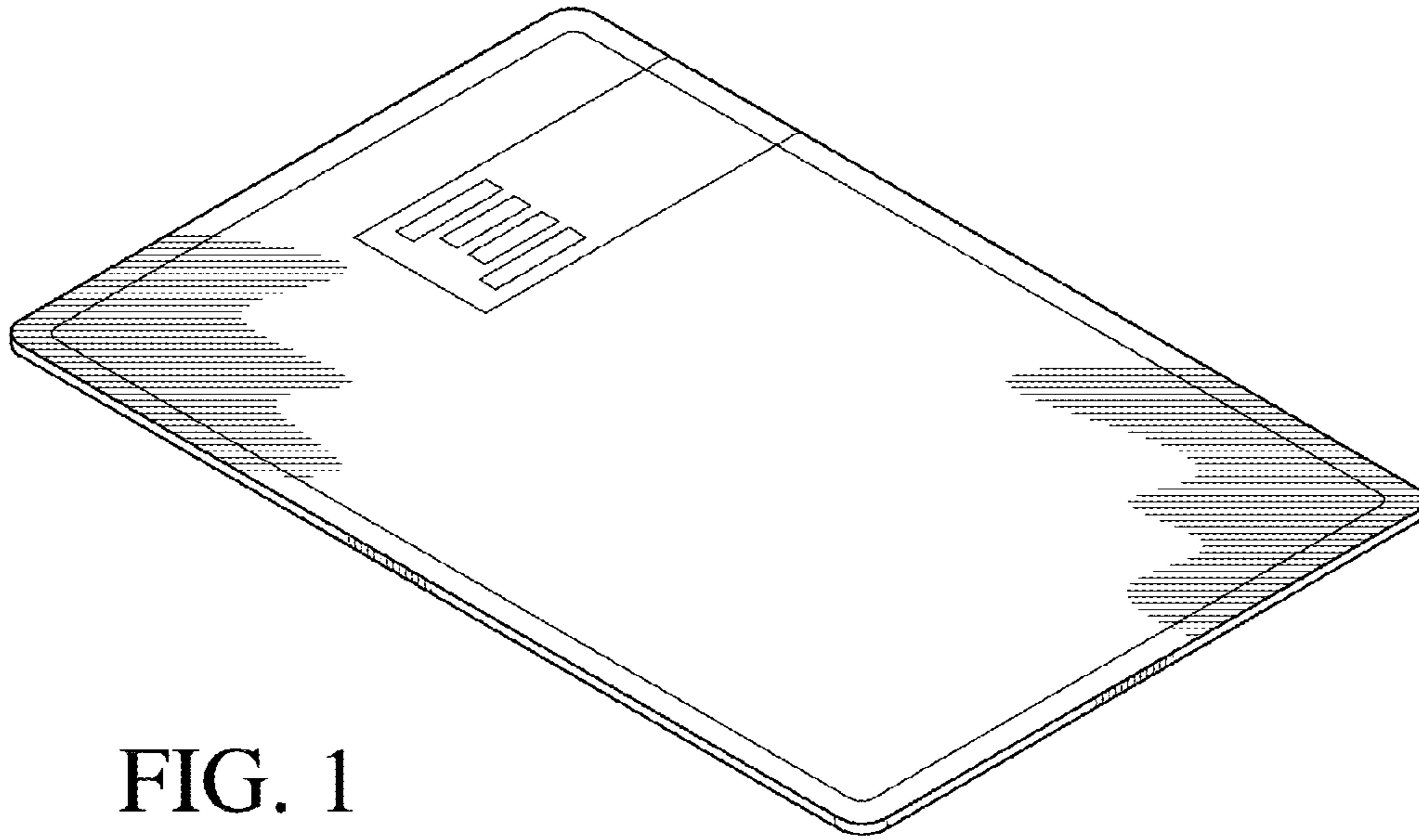


FIG. 1

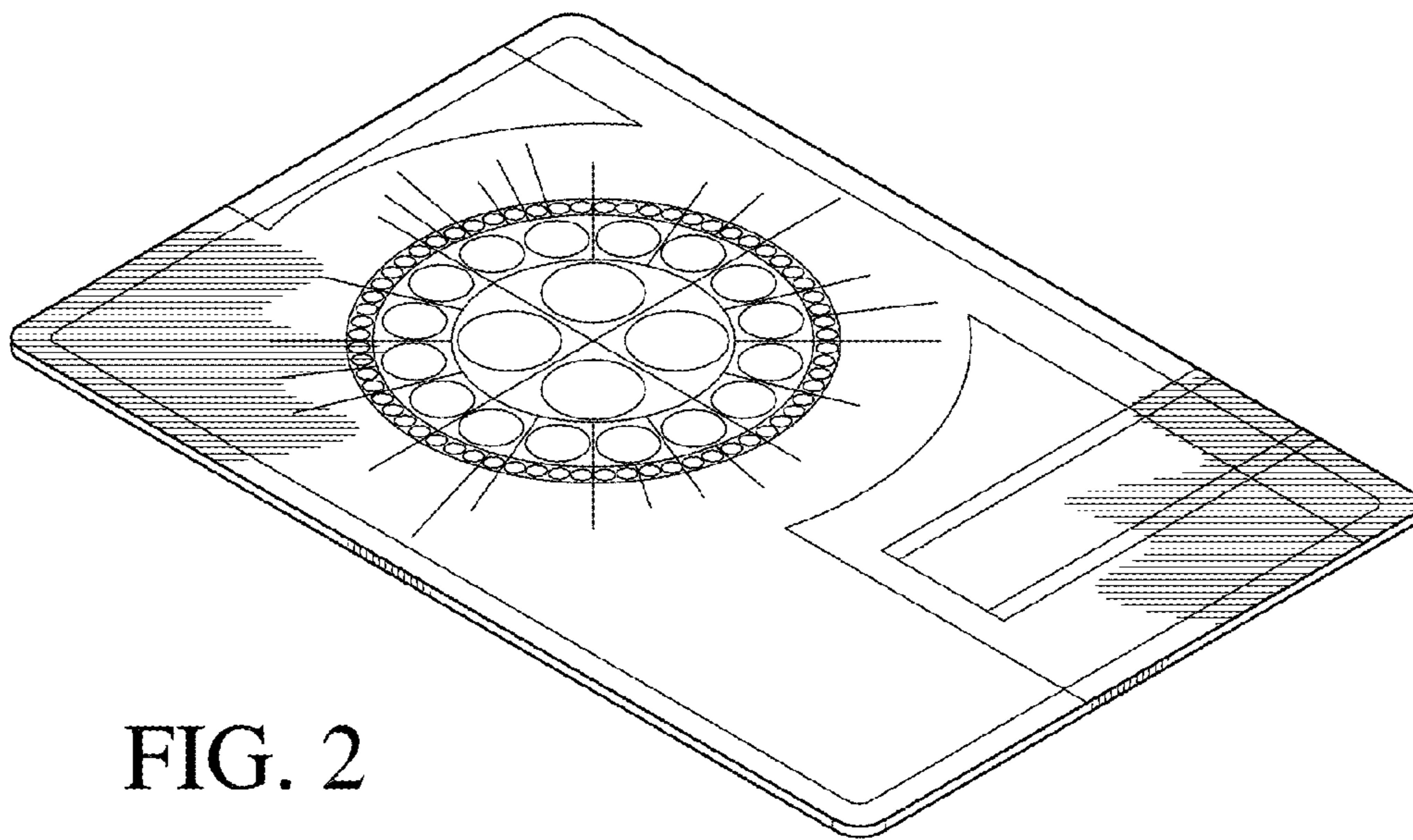


FIG. 2

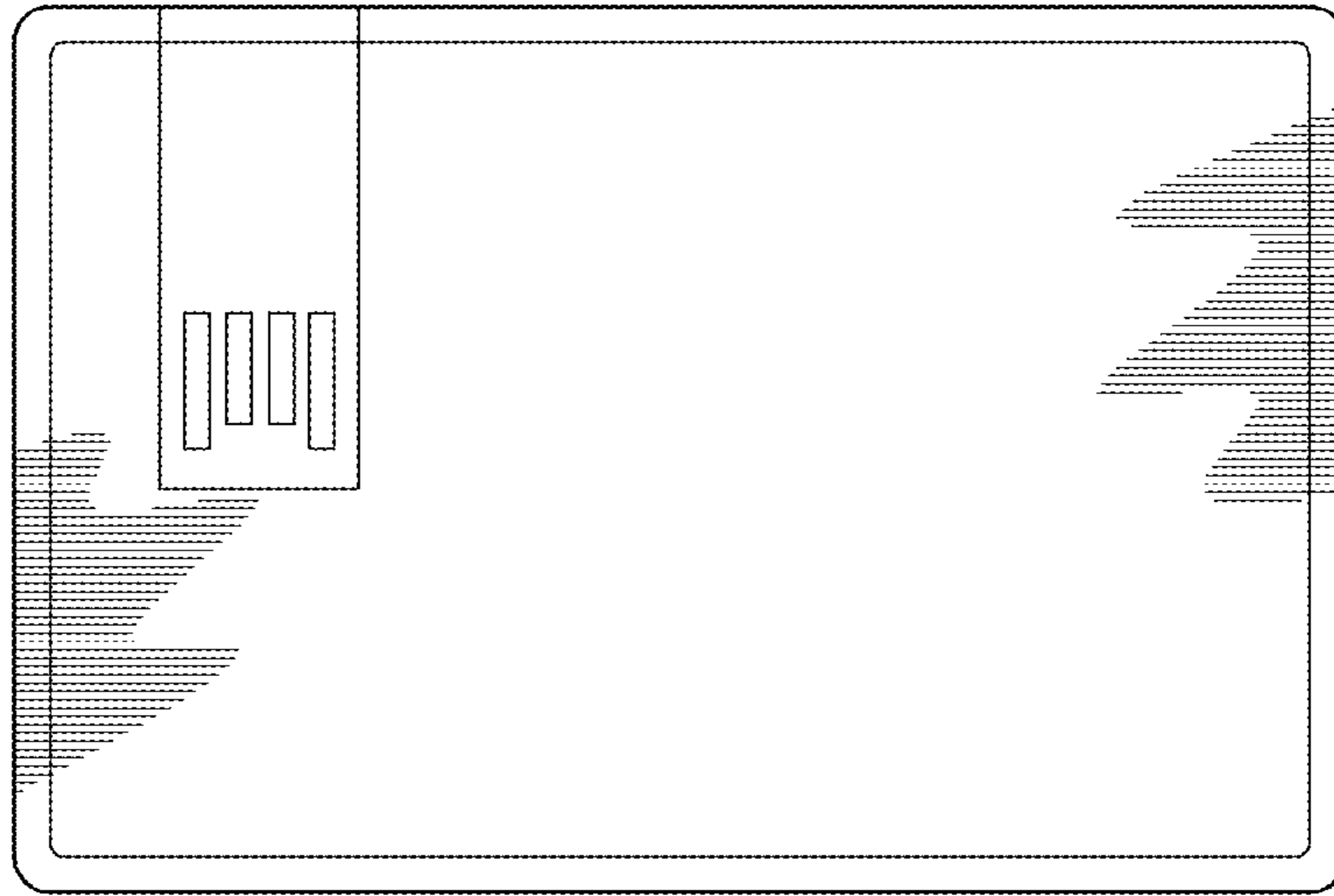


FIG. 3

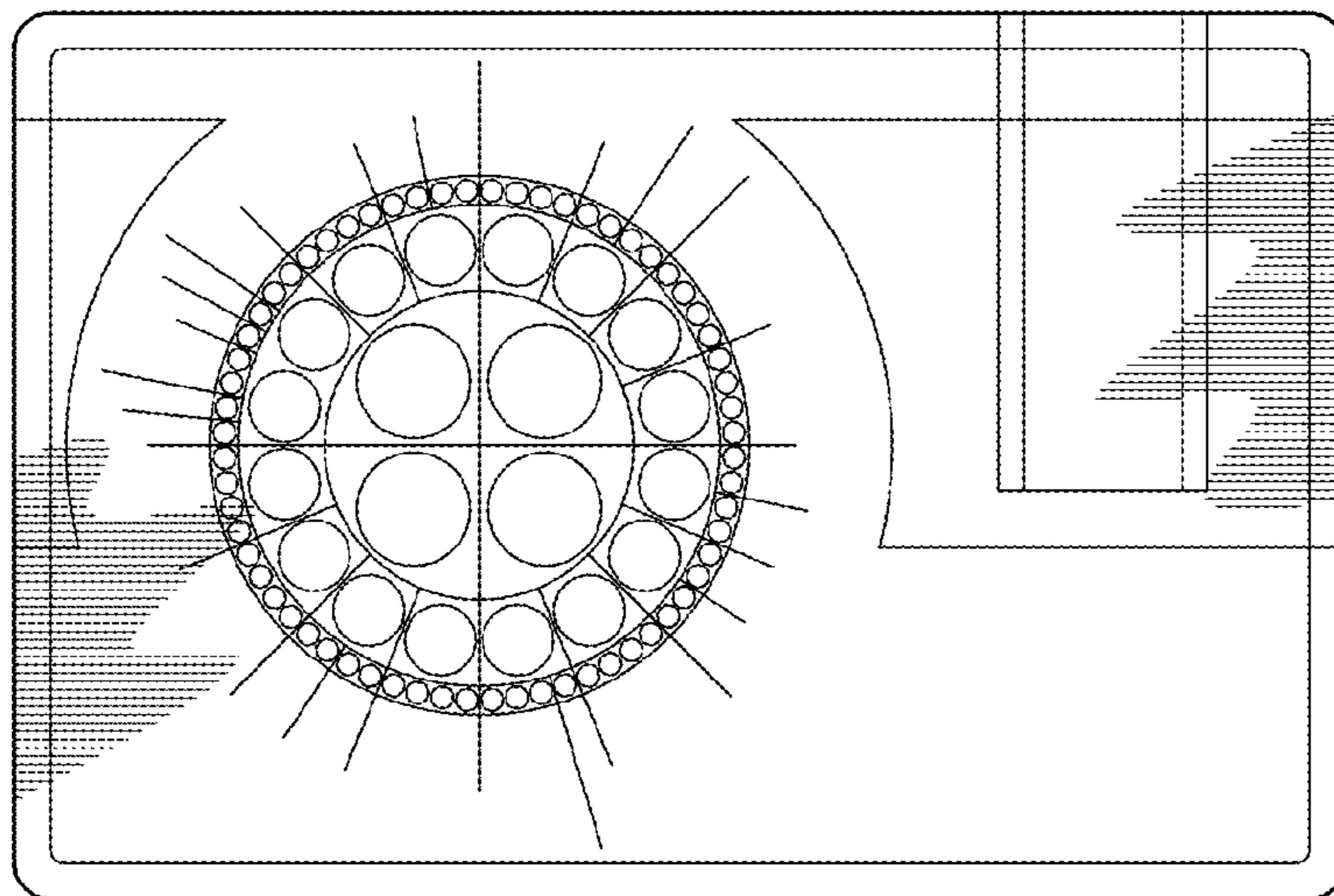


FIG. 4

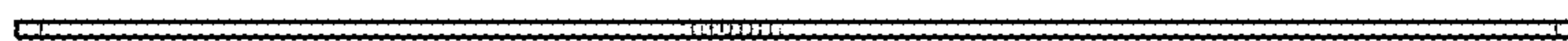


FIG. 5



FIG. 6