



US00D685373S

(12) **United States Design Patent**
Santos et al.

(10) **Patent No.:** **US D685,373 S**

(45) **Date of Patent:** **** Jul. 2, 2013**

(54) **COMPUTING DEVICE PROTECTOR**

(75) Inventors: **David Santos**, Granite Bay, CA (US);
Robert Todd Wells, Rocklin, CA (US)

(73) Assignee: **Hewlett-Packard Development Company, L.P.**, Houston, TX (US)

(**) Term: **14 Years**

(21) Appl. No.: **29/391,362**

(22) Filed: **May 6, 2011**

(51) **LOC (9) Cl.** **14-02**

(52) **U.S. Cl.**
USPC **D14/432**

(58) **Field of Classification Search**
USPC D14/300, 301, 308, 311, 313, 432,
D14/433, 439, 441-446, 299; 312/294, 297,
312/317.1, 223.1-223.3; 361/679.02, 679.57,
361/697.58, 724-726, 807; 174/51, 350,
174/354, 375, 377

See application file for complete search history.

(56) **References Cited**

U.S. PATENT DOCUMENTS

D276,428	S	*	11/1984	Burbank et al.	D13/184
D334,185	S	*	3/1993	Lam	D14/442
D447,484	S	*	9/2001	Reznikov et al.	D14/441
6,288,892	B1	*	9/2001	Lanz et al.	361/679.58
6,787,696	B2	*	9/2004	Liljevik et al.	174/371
D588,137	S	*	3/2009	Lawrence et al.	D14/444
D590,831	S	*	4/2009	Evans	D14/432
D662,504	S	*	6/2012	Lohman	D14/441

D676,852	S	*	2/2013	Lohman	D14/441
2004/0036388	A1	*	2/2004	Liljevik et al.	312/257.1
2011/0175501	A1	*	7/2011	Peng et al.	312/223.1

* cited by examiner

Primary Examiner — Austin Murphy

(57) **CLAIM**

We claim the ornamental design for a computing device protector, as shown and described.

DESCRIPTION

FIG. 1 is an upper right front perspective view of a computing device protector;

FIG. 2 is an upper right rear perspective view of a computing device protector;

FIG. 3 is a front elevational view of a computing device protector;

FIG. 4 is a right side elevational view of a computing device protector;

FIG. 5 is a rear elevational view of a computing device protector;

FIG. 6 is a left side elevational view of a computing device protector;

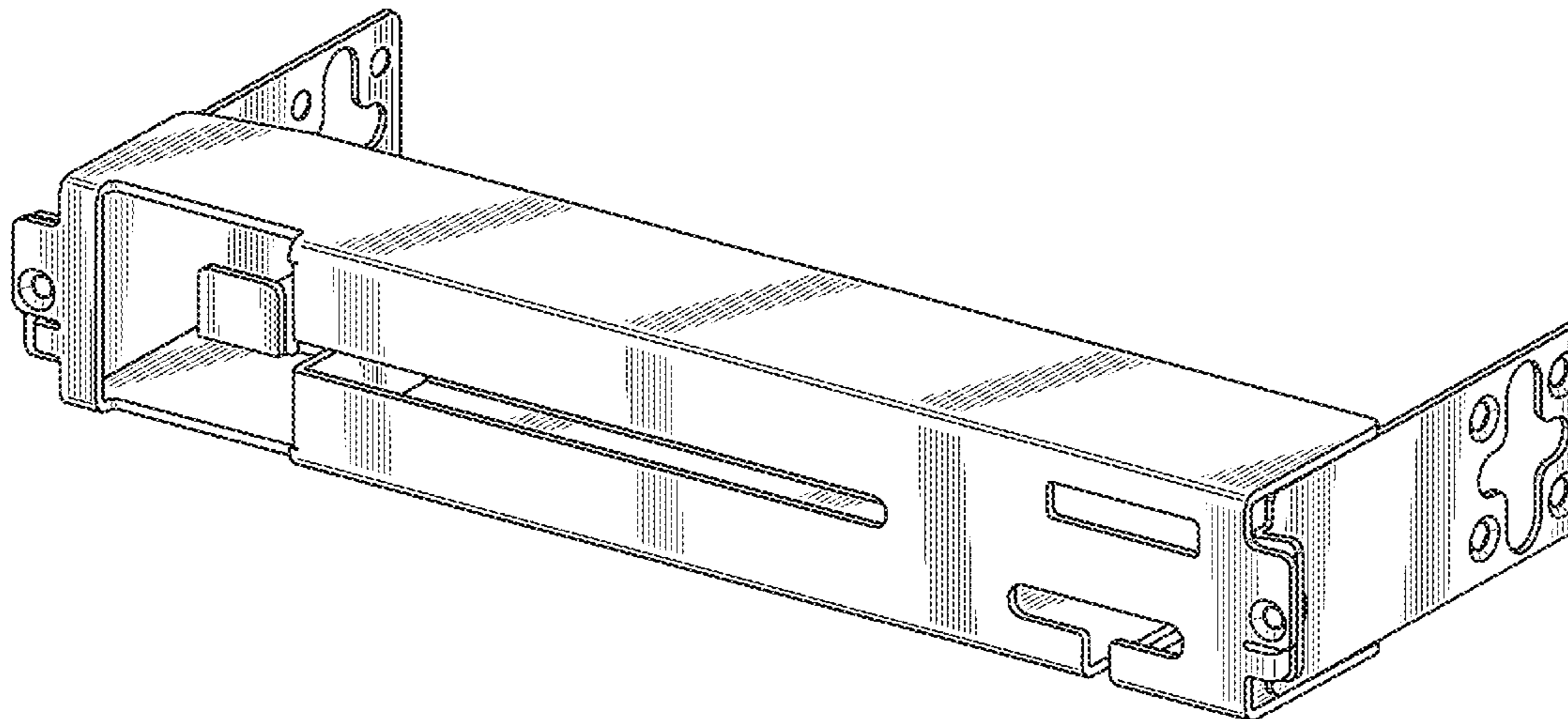
FIG. 7 is a top side elevational view of a computing device protector;

FIG. 8 is a bottom side elevational view of a computing device protector;

FIG. 9 is an upper right front perspective view of an assembled computing device protector; and,

FIG. 10 is an upper right front exploded perspective view of computing device protector.

1 Claim, 5 Drawing Sheets



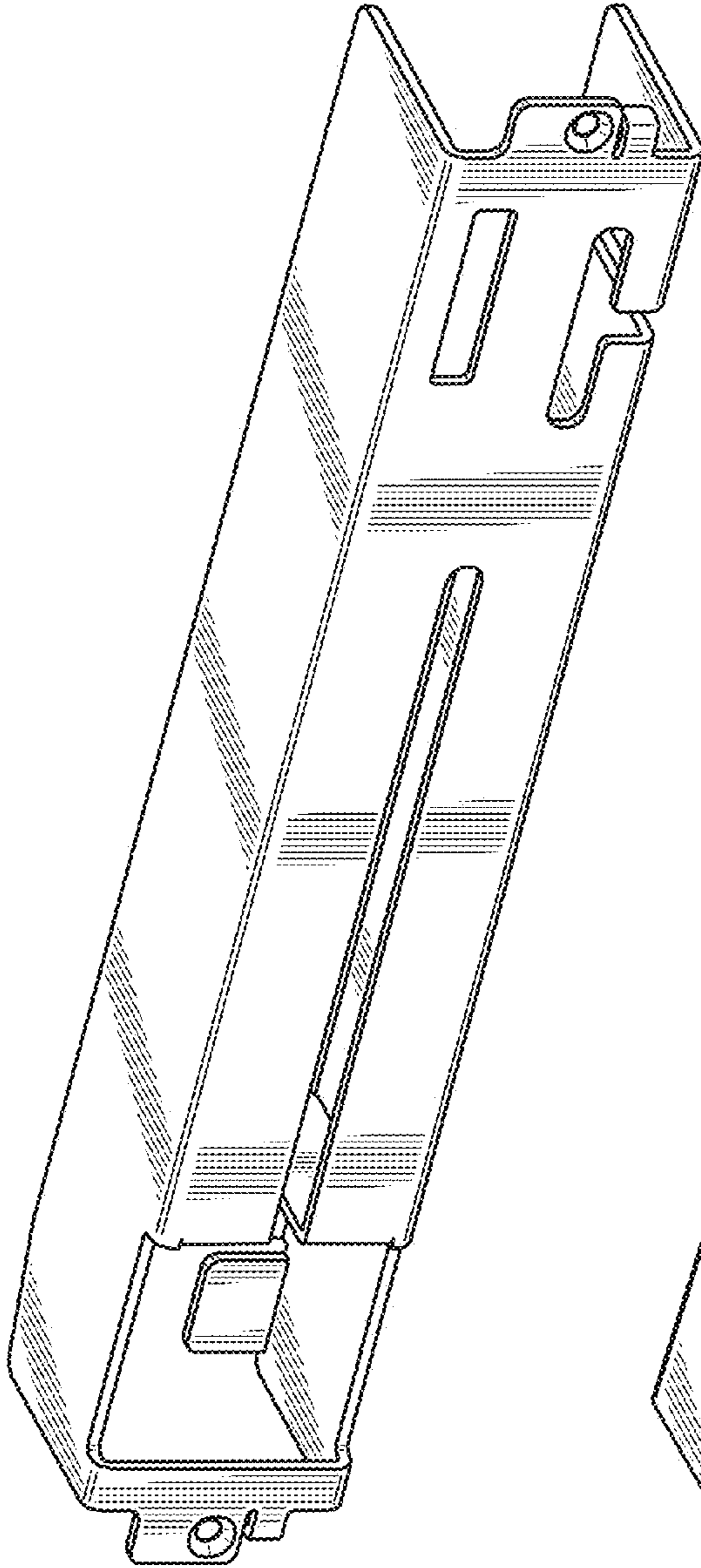


FIG. 1

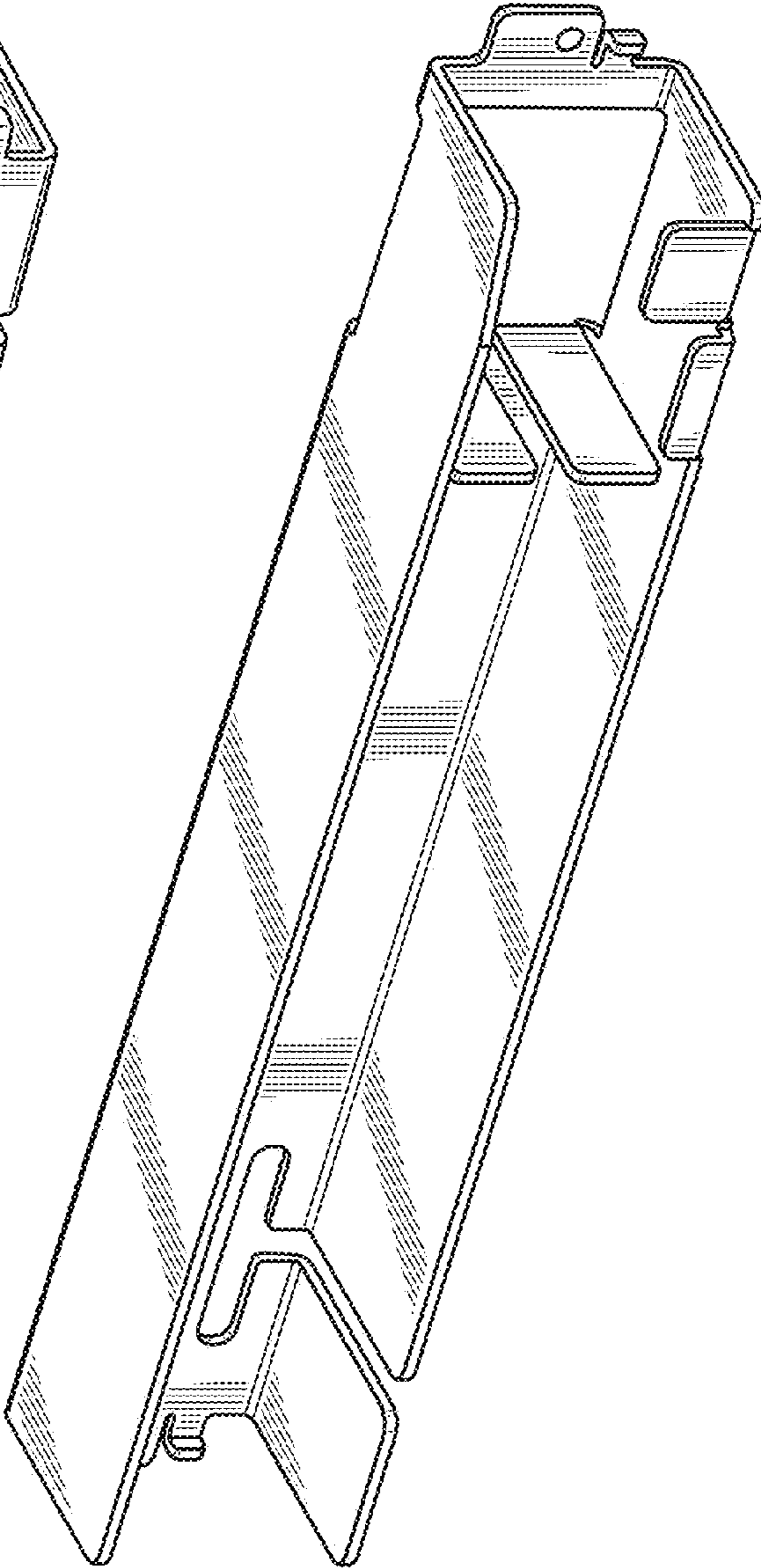


FIG. 2

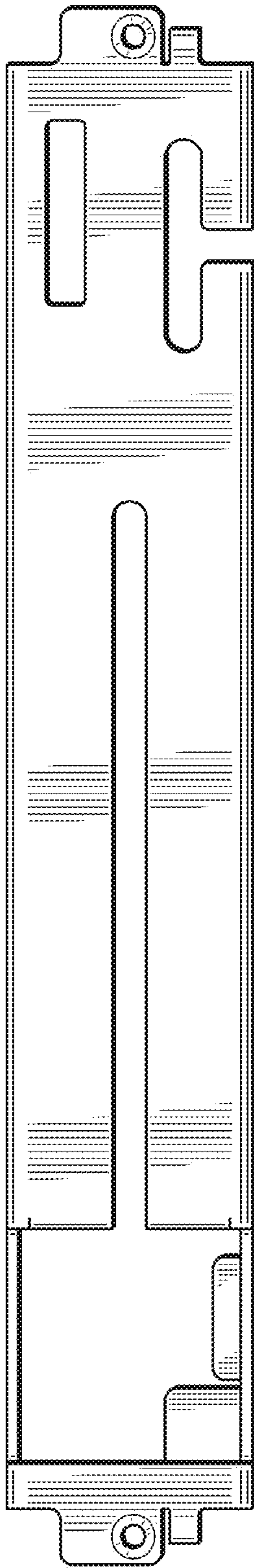


FIG. 3

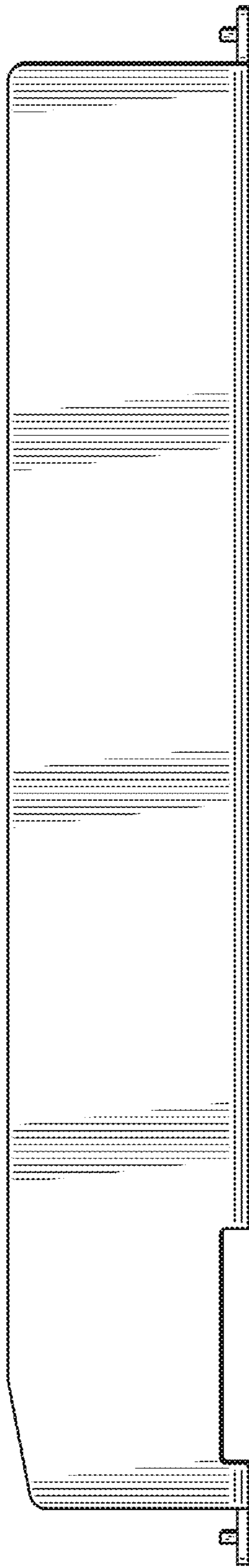


FIG. 7

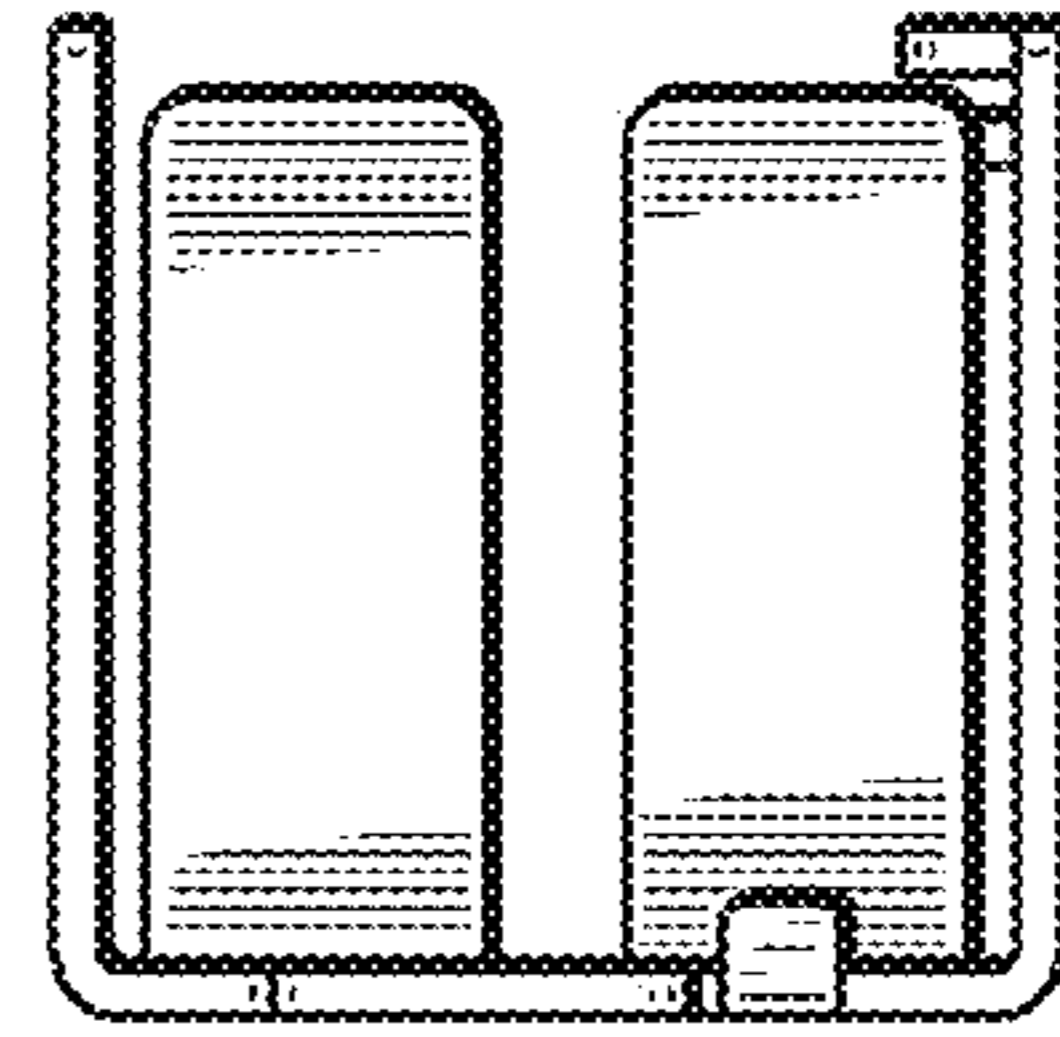


FIG. 4

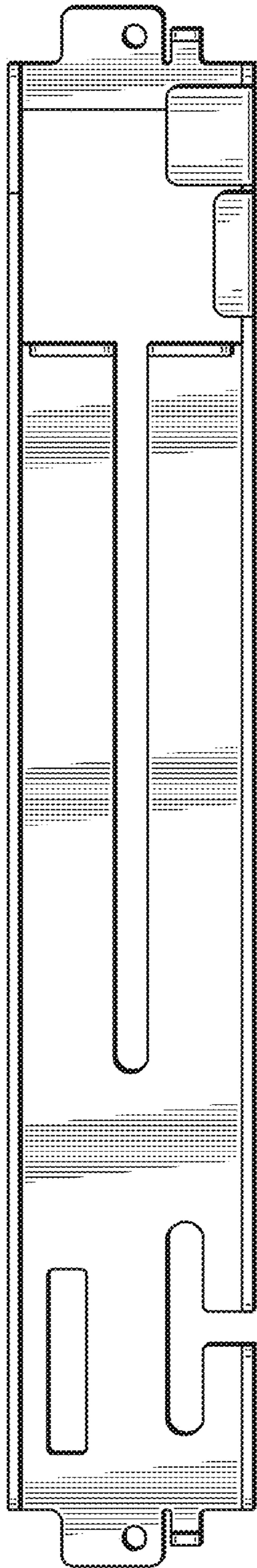


FIG. 5

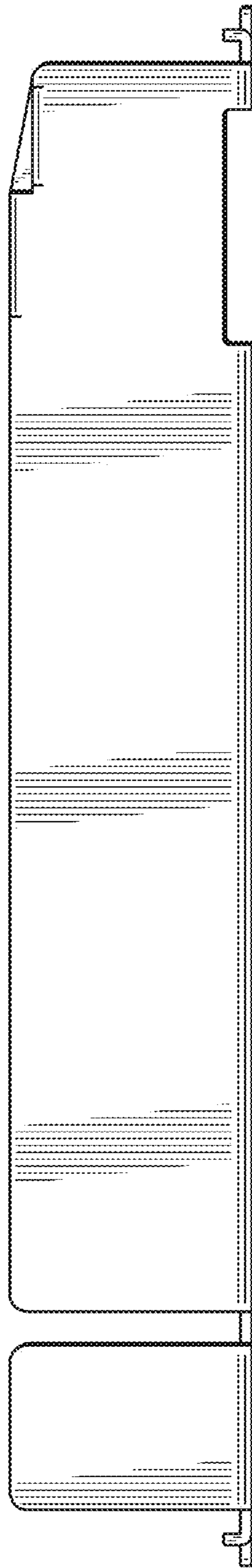


FIG. 8

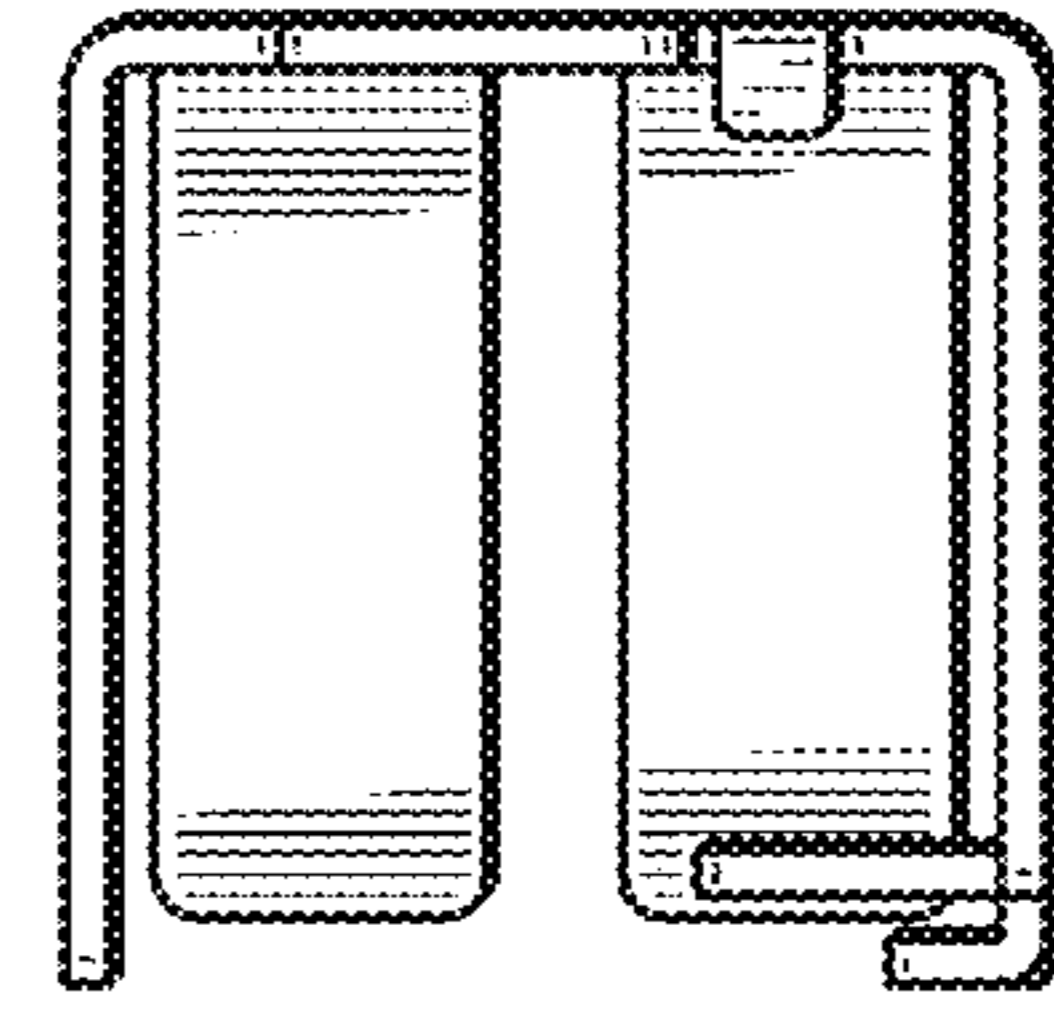


FIG. 6

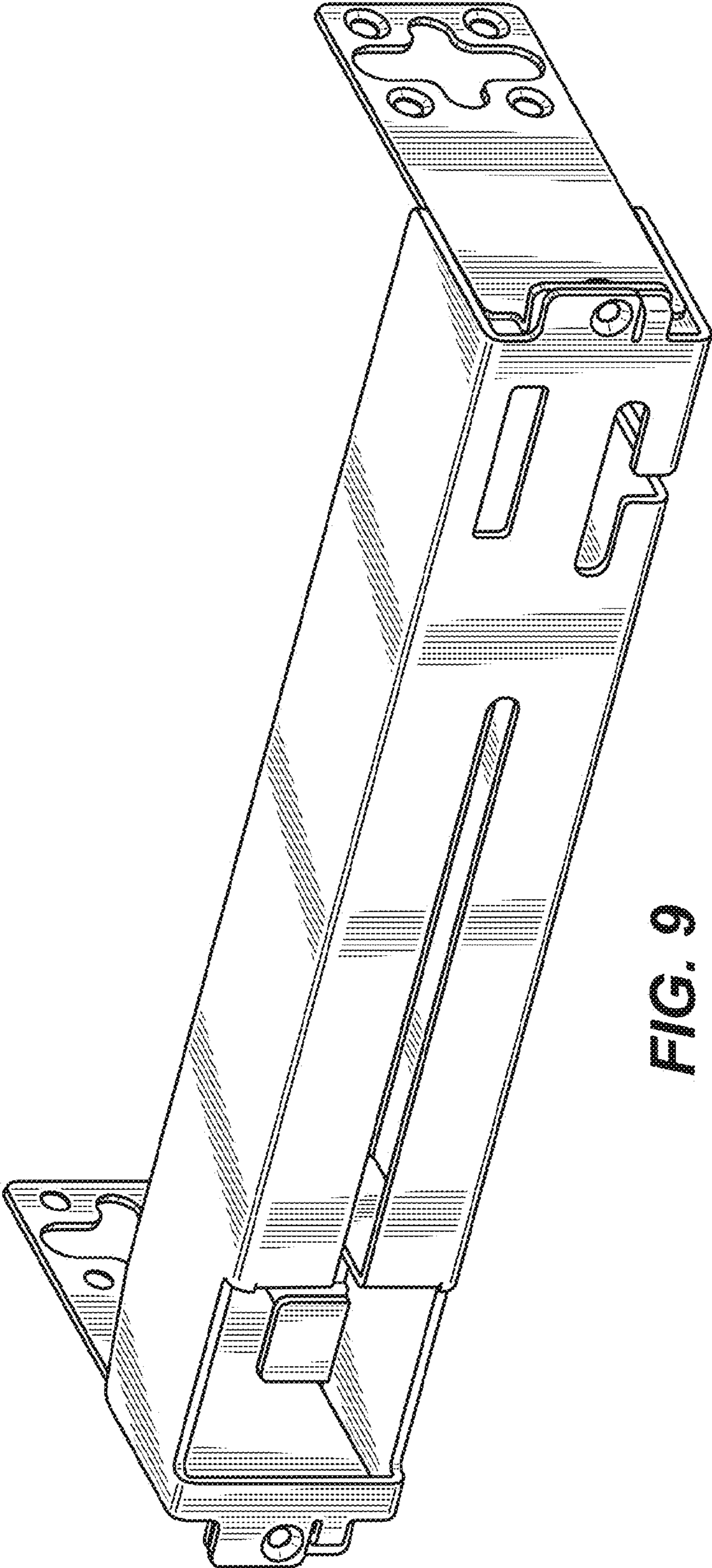


FIG. 9

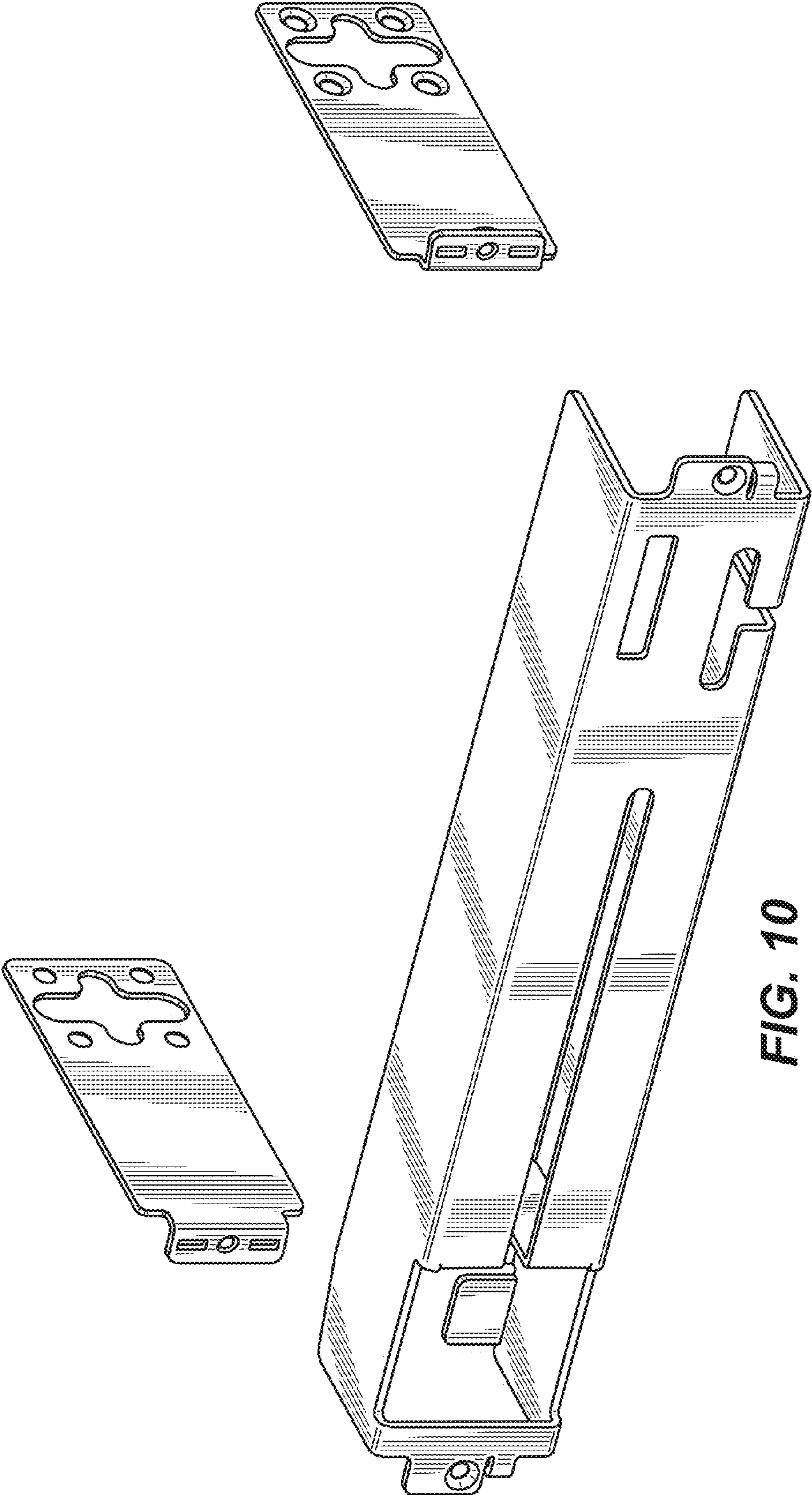


FIG. 10