



US00D685372S

(12) **United States Design Patent**  
**Boopanon et al.**

(10) **Patent No.:** **US D685,372 S**  
(45) **Date of Patent:** **\*\* Jul. 2, 2013**

(54) **DOCUMENT SCANNING AND VISUALIZATION SYSTEM**

(71) Applicants: **Sarasin Boopanon**, Bangkok (TH);  
**Chanwut Sangsok**, Bangkok (TH);  
**Supichai Kantrasiri**, Bangkok (TH);  
**Apiwat Pituksin**, Pathumthani (TH);  
**Pituk Kaewsuksai**, Nakhonratchasima (TH); **Nut Phanitch**, Bangkok (TH)

(72) Inventors: **Sarasin Boopanon**, Bangkok (TH);  
**Chanwut Sangsok**, Bangkok (TH);  
**Supichai Kantrasiri**, Bangkok (TH);  
**Apiwat Pituksin**, Pathumthani (TH);  
**Pituk Kaewsuksai**, Nakhonratchasima (TH); **Nut Phanitch**, Bangkok (TH)

(73) Assignee: **Atiz Innovation Co., Ltd.**, Bangkok (TH)

(\*\*) Term: **14 Years**

(21) Appl. No.: **29/438,599**

(22) Filed: **Nov. 30, 2012**

(51) **LOC (9) Cl.** ..... **14-02**

(52) **U.S. Cl.**  
USPC ..... **D14/423**

(58) **Field of Classification Search**  
USPC ... D14/420-425; D16/232; D18/36; 353/115, 353/119, 122, DIG. 3, DIG. 4; 396/155, 133, 396/86; 358/474-498; 348/370, 373, 376, 348/374, 375; 248/187.1, 593, 276.1, 281.11  
See application file for complete search history.

(56) **References Cited**

**U.S. PATENT DOCUMENTS**

D264,581	S	*	5/1982	Mobius	.....	D13/101
4,574,318	A	*	3/1986	Dayton et al.	.....	358/483
4,672,184	A	*	6/1987	Fujiwara et al.	.....	235/462.43
4,740,904	A	*	4/1988	Nagle	.....	358/1.6
D296,328	S	*	6/1988	Austin et al.	.....	D14/423
4,831,455	A	*	5/1989	Ishikawa et al.	.....	348/373
D302,683	S	*	8/1989	Iwasaki et al.	.....	D14/423

D305,228	S	*	12/1989	Allgeier	.....	D14/423
D306,435	S	*	3/1990	Krichever et al.	.....	D14/423
4,916,550	A	*	4/1990	Miyake et al.	.....	358/471
4,939,580	A	*	7/1990	Ishikawa et al.	.....	348/373
D314,951	S	*	2/1991	Swartz	.....	D14/423
D323,819	S	*	2/1992	Iimura	.....	D14/423
D325,027	S	*	3/1992	Wallace et al.	.....	D14/423
D327,672	S	*	7/1992	Iimura	.....	D14/423
5,247,330	A	*	9/1993	Ohyama et al.	.....	355/64
5,339,173	A	*	8/1994	Jinnai	.....	358/471
D352,502	S	*	11/1994	Hasegawa	.....	D14/423
5,377,019	A	*	12/1994	Okisu et al.	.....	358/464

(Continued)

**OTHER PUBLICATIONS**

“uberreview.com” ((Internet Archives Apr. 2009), <http://www.uberreview.com/2009/04/ipod-scan-dock-a-book-scanning-apparatus-for-your-iphone.htm>).

*Primary Examiner* — Susan Moon Lee

(74) *Attorney, Agent, or Firm* — Raj Abhyanker, P.C.

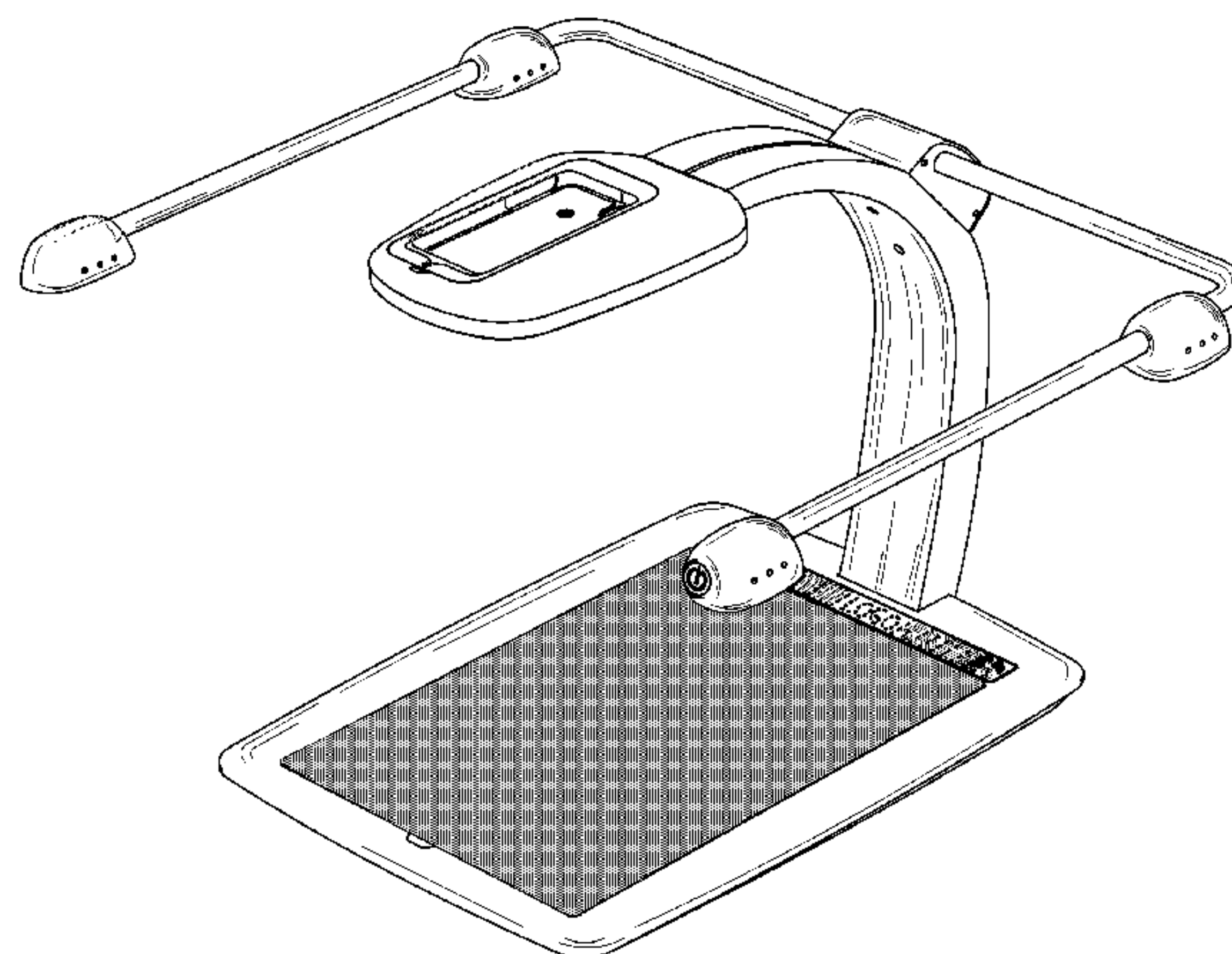
(57) **CLAIM**

The ornamental design for a document scanning and visualization system, as shown and described.

**DESCRIPTION**

FIG. 1 is a front perspective view of a document scanning and visualization system, comprising of a document placement deck, a neck element, a docking head and two lighting arms; FIG. 2 is a front view thereof; FIG. 3 is a rear view thereof; FIG. 4 is a right side view thereof; FIG. 5 is a left side view thereof; FIG. 6 is a top view thereof; FIG. 7 is a bottom view thereof; FIG. 7A is an enlarged bottom partial view of one of the light elements of the document scanning and visualization system; FIG. 8 is a rear perspective view of the document scanning and visualization system; and, FIG. 9 is a top view of the document scanning and visualization system in which the document placement deck is shown separately for clarity of illustration. Broken lines are not claimed.

**1 Claim, 10 Drawing Sheets**



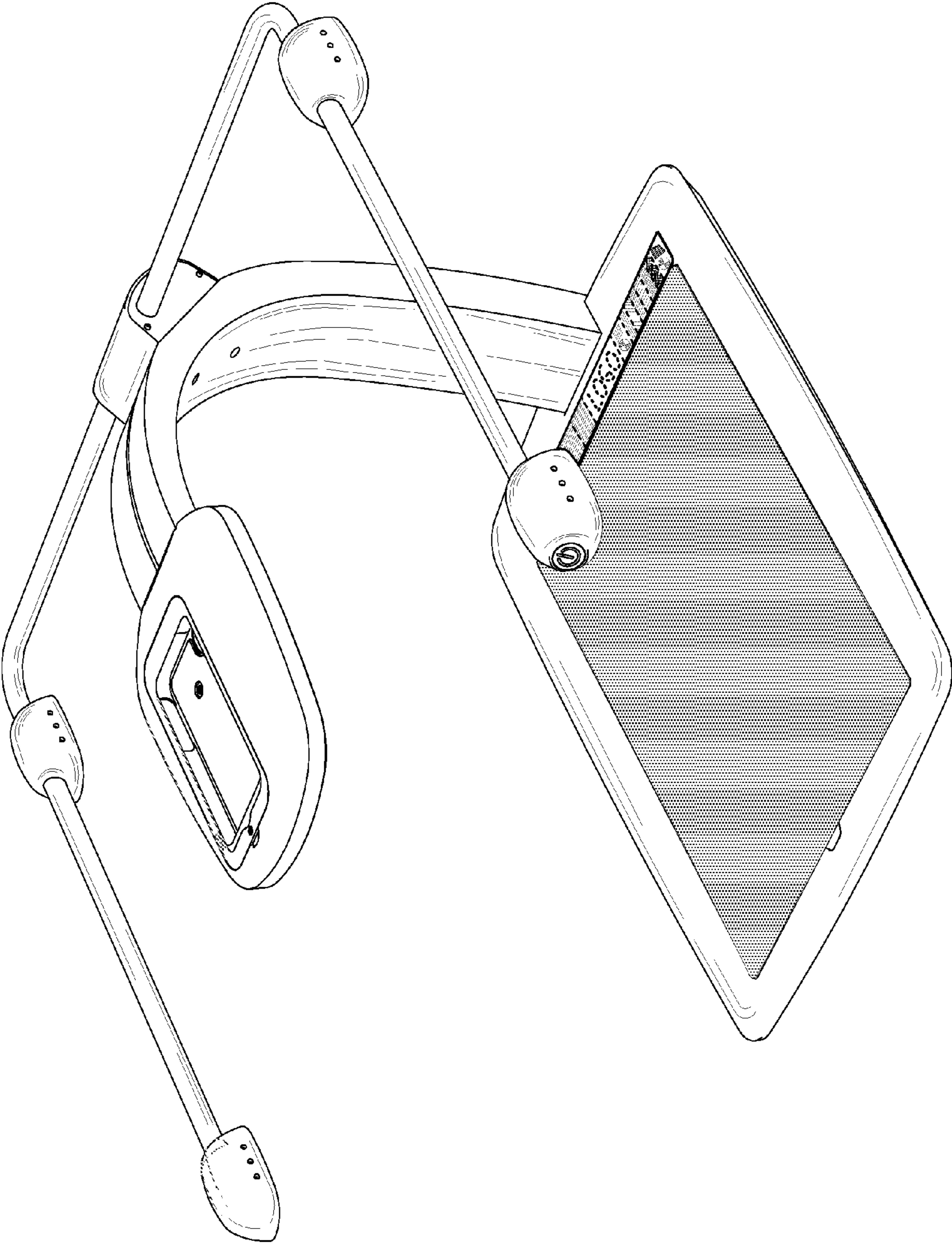
# US D685,372 S

## U.S. PATENT DOCUMENTS

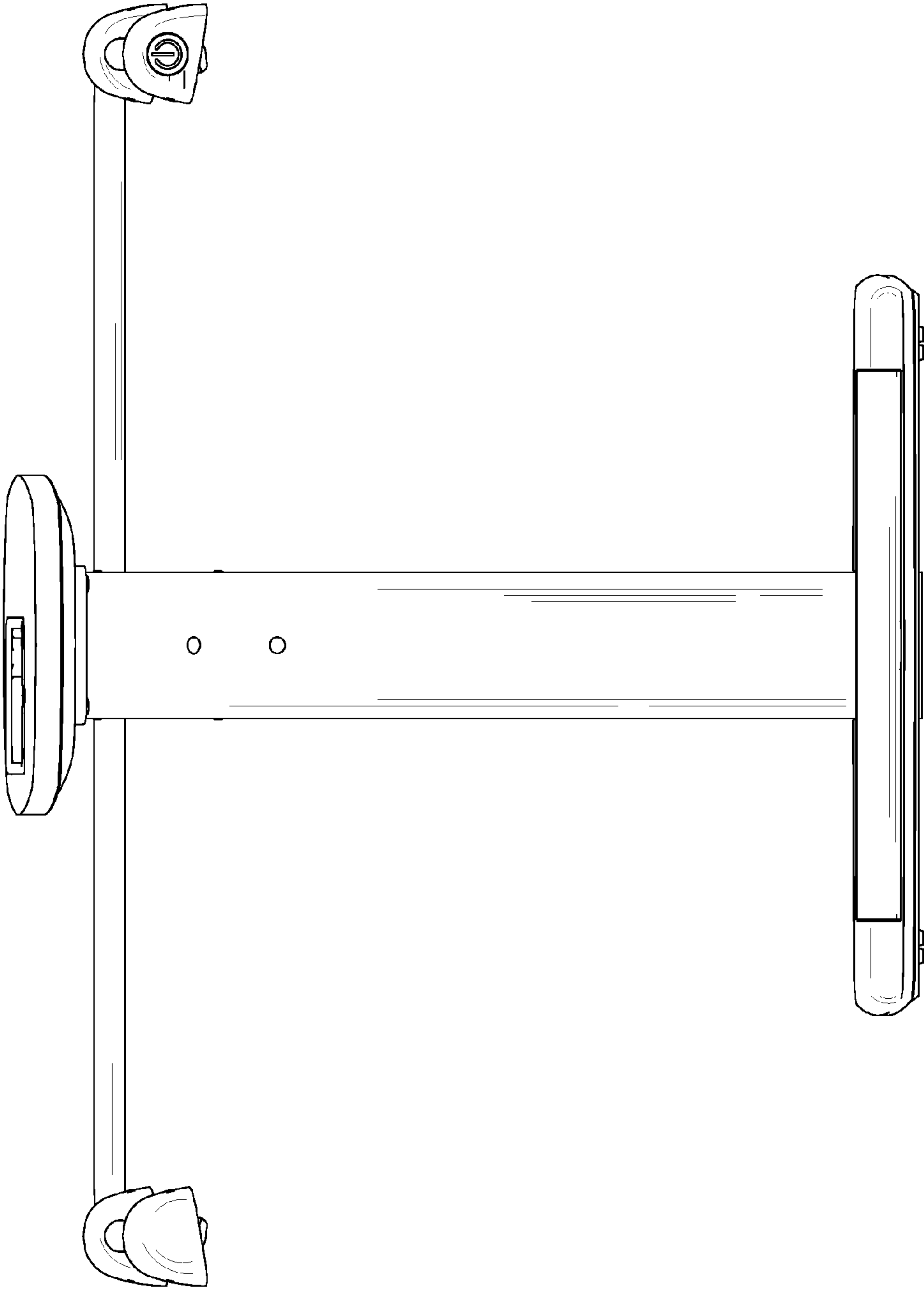
5,396,281	A *	3/1995	Maeda	348/141	D494,995	S *	8/2004	Kim et al.	D16/232
D358,377	S *	5/1995	Hasegawa	D14/423	D497,914	S *	11/2004	Adachi et al.	D14/423
5,444,486	A *	8/1995	Mizuno et al.	348/376	6,885,479	B1 *	4/2005	Pilu	358/474
D364,852	S *	12/1995	Park	D14/423	D519,144	S *	4/2006	Kato et al.	D16/232
D376,139	S *	12/1996	Hasegawa	D14/423	7,035,011	B2 *	4/2006	Wolf	359/599
5,594,502	A *	1/1997	Bito et al.	348/373	7,104,512	B2 *	9/2006	Wolf et al.	248/276.1
5,642,206	A *	6/1997	Yamamori et al.	358/471	7,173,628	B1 *	2/2007	Kawai	345/531
5,677,776	A *	10/1997	Matsuda et al.	358/475	D542,795	S *	5/2007	Sukenari et al.	D14/423
D386,157	S *	11/1997	Hasegawa	D14/423	7,310,116	B2 *	12/2007	Lee et al.	348/373
D387,038	S *	12/1997	Sakuta et al.	D14/423	7,317,557	B2 *	1/2008	Pollard et al.	358/448
5,751,355	A *	5/1998	Bito et al.	348/375	7,330,604	B2 *	2/2008	Wu et al.	382/289
5,764,383	A *	6/1998	Saund et al.	358/497	D573,146	S *	7/2008	Sukenari et al.	D14/431
5,774,237	A *	6/1998	Nako	358/471	7,394,978	B2 *	7/2008	Sukenari et al.	396/155
5,796,495	A *	8/1998	Miyata et al.	358/471	D580,962	S *	11/2008	Sukenari et al.	D16/232
D397,709	S *	9/1998	Park et al.	D16/232	D603,889	S *	11/2009	Sukenari et al.	D16/232
5,831,750	A *	11/1998	Okisu et al.	358/493	D612,851	S *	3/2010	Maruyama et al.	D14/423
5,929,910	A *	7/1999	Kim et al.	348/373	D614,627	S	4/2010	Lerner et al.	
5,940,544	A *	8/1999	Nako	382/293	D620,514	S *	7/2010	Kim et al.	D16/208
5,947,577	A *	9/1999	Jikihara et al.	353/97	D628,235	S *	11/2010	Huotari et al.	D18/34.1
D419,582	S *	1/2000	Ikenaga	D16/232	D642,608	S *	8/2011	Kato	D16/232
6,011,635	A *	1/2000	Bungo et al.	358/488	8,016,423	B2 *	9/2011	Makino	353/30
6,014,470	A *	1/2000	Matsuda	382/275	D651,635	S *	1/2012	Hong	D16/208
D422,571	S *	4/2000	Sakata et al.	D14/423	8,134,759	B2 *	3/2012	Albahri	358/474
D423,472	S *	4/2000	Adachi	D14/423	D657,794	S	4/2012	Hayes et al.	
D424,091	S *	5/2000	Oh	D16/232	8,189,965	B2 *	5/2012	Edgar et al.	382/313
D425,098	S *	5/2000	Oh	D16/232	D662,121	S *	6/2012	Rodriguez et al.	D16/208
6,065,839	A *	5/2000	Miyata et al.	353/122	8,199,370	B2 *	6/2012	Irwin et al.	358/474
6,091,377	A *	7/2000	Kawai	345/7	D663,761	S *	7/2012	Kato et al.	D16/232
D433,683	S *	11/2000	Adachi et al.	D14/423	D678,383	S *	3/2013	Park et al.	D16/232
D442,873	S	5/2001	Koennecke et al.		2002/0186425	A1 *	12/2002	Dufaux et al.	358/497
6,300,975	B1 *	10/2001	Yamane	348/63	2003/0002091	A1 *	1/2003	Hou	358/496
6,317,155	B1 *	11/2001	Ohyama	348/373	2003/0076441	A1 *	4/2003	Maeda et al.	348/375
D454,351	S *	3/2002	Adachi et al.	D14/423	2004/0233325	A1 *	11/2004	Lee et al.	348/375
D454,570	S	3/2002	Adachi et al.		2004/0238704	A1 *	12/2004	Wolf et al.	248/276.1
6,385,347	B1 *	5/2002	Matsuda	382/263	2004/0258327	A1 *	12/2004	Cheatle et al.	382/284
6,445,293	B1 *	9/2002	Alonso et al.	340/541	2005/0105181	A1 *	5/2005	Wolf	359/558
6,496,244	B2 *	12/2002	Tseng et al.	355/21	2005/0175255	A1 *	8/2005	Fujimoto et al.	382/275
6,540,415	B1 *	4/2003	Slatter et al.	396/428	2006/0045379	A1 *	3/2006	Heaney et al.	382/276
D476,008	S *	6/2003	Adachi et al.	D14/423	2006/0110151	A1 *	5/2006	Sukenari et al.	396/155
D476,658	S *	7/2003	Adachi et al.	D14/423	2007/0003274	A1 *	1/2007	Sukenari	396/428
6,687,420	B1 *	2/2004	Matsuda et al.	382/286	2007/0279519	A1 *	12/2007	Sukenari et al.	348/373
D488,828	S *	4/2004	Adachi et al.	D16/232	2012/0250112	A1 *	10/2012	Ogawa et al.	358/479
D490,433	S *	5/2004	Moriya et al.	D14/423					

\* cited by examiner

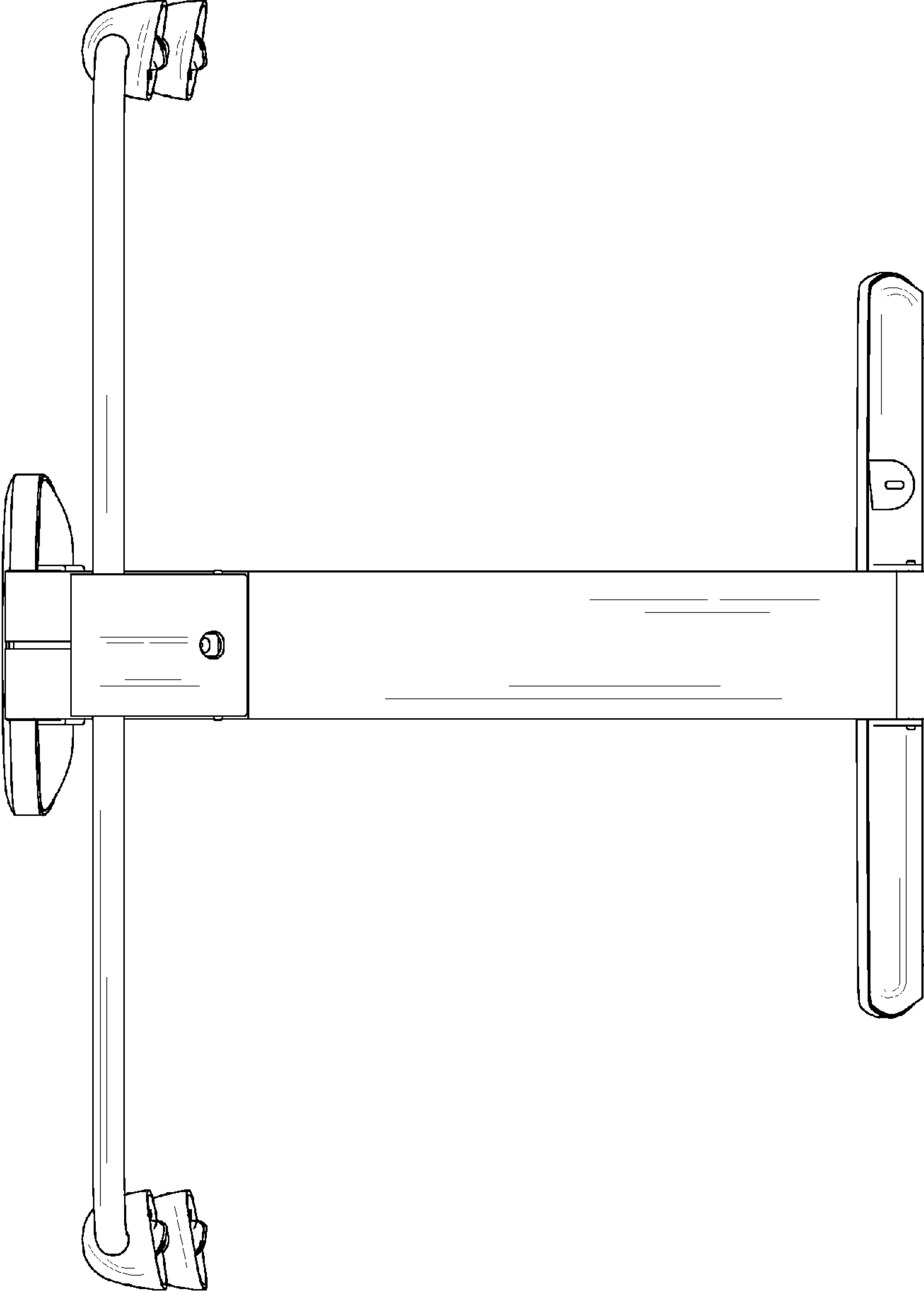




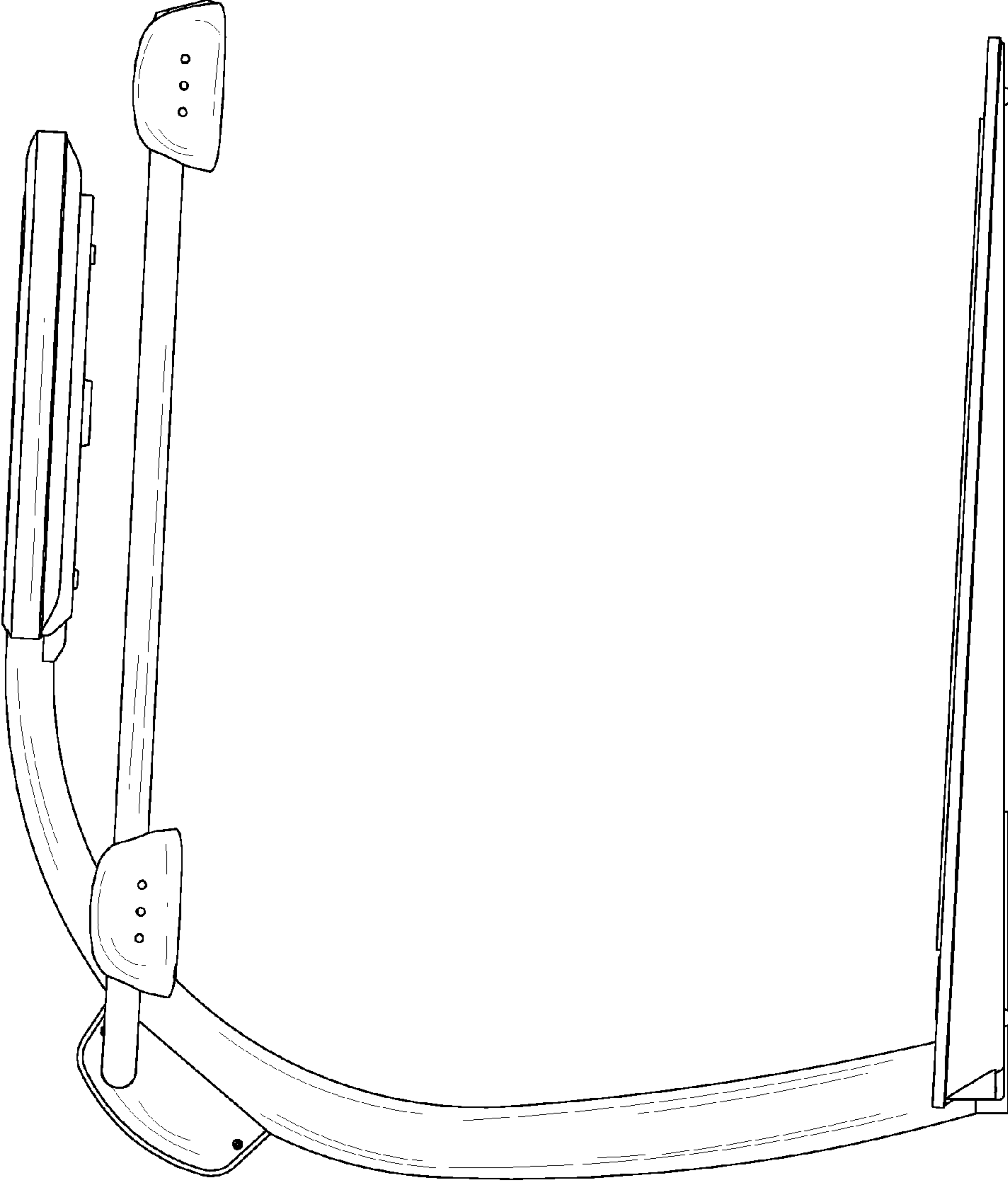
**FIGURE 1**



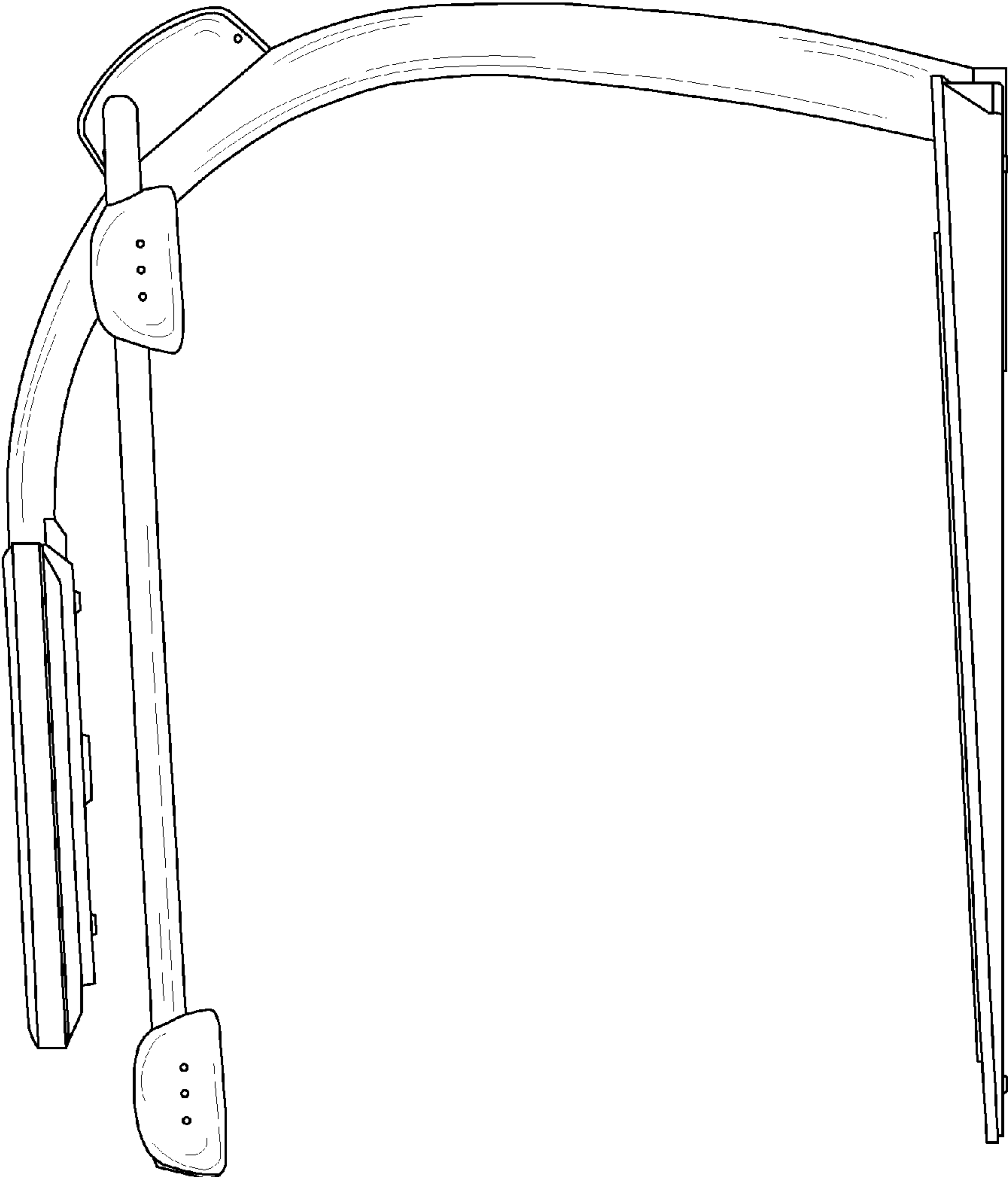
**FIGURE 2**



**FIGURE 3**



**FIGURE 4**



**FIGURE 5**

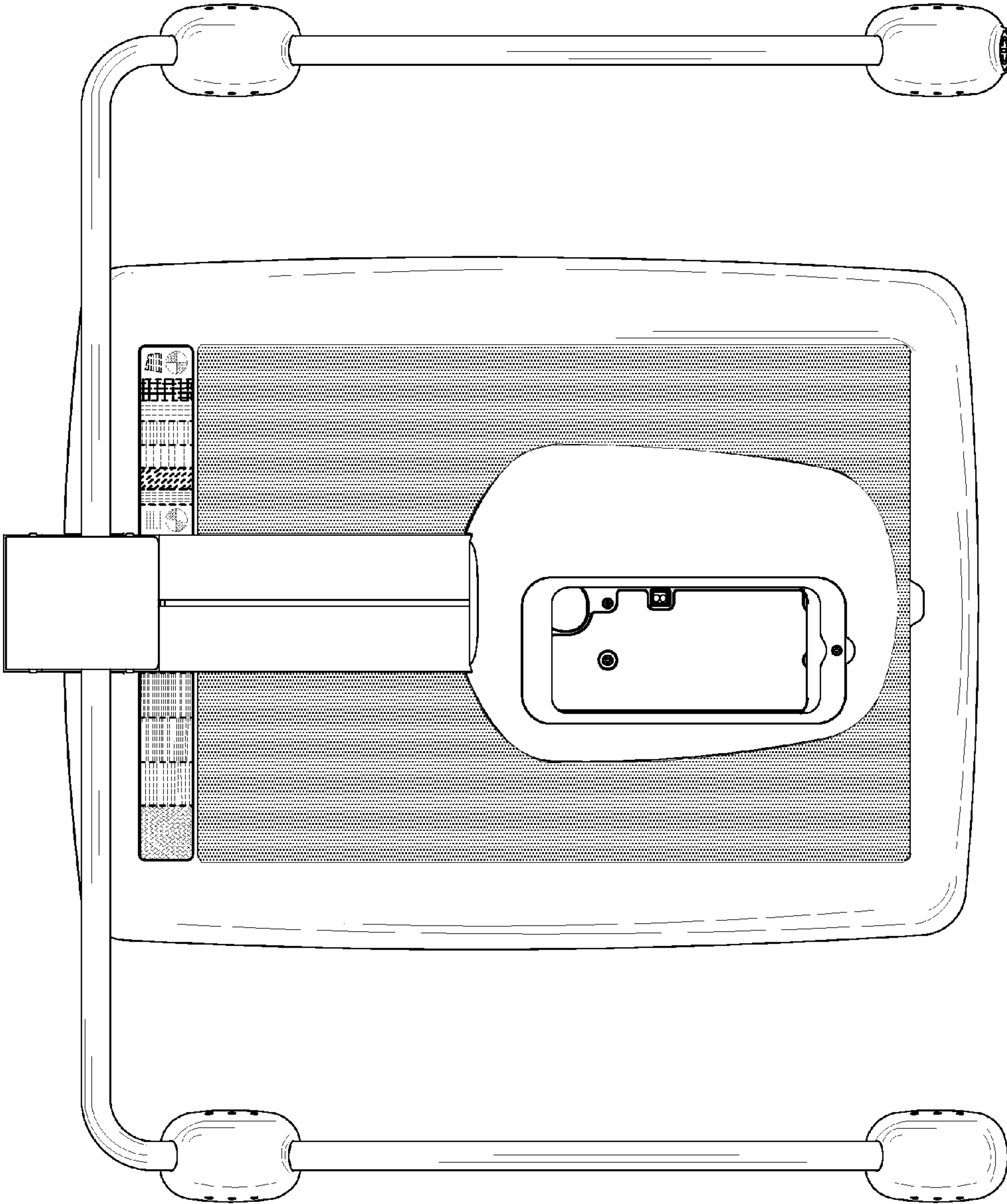
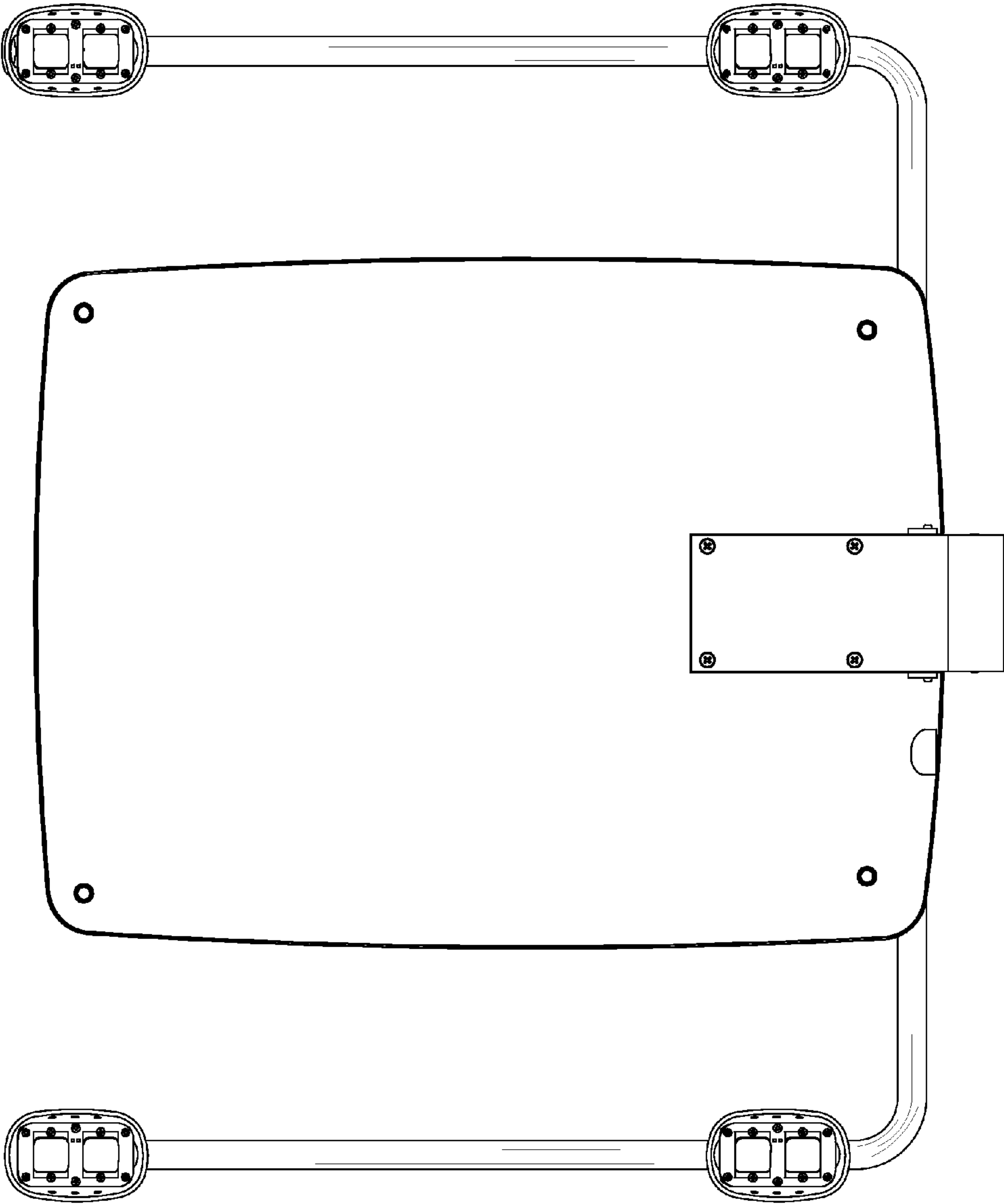
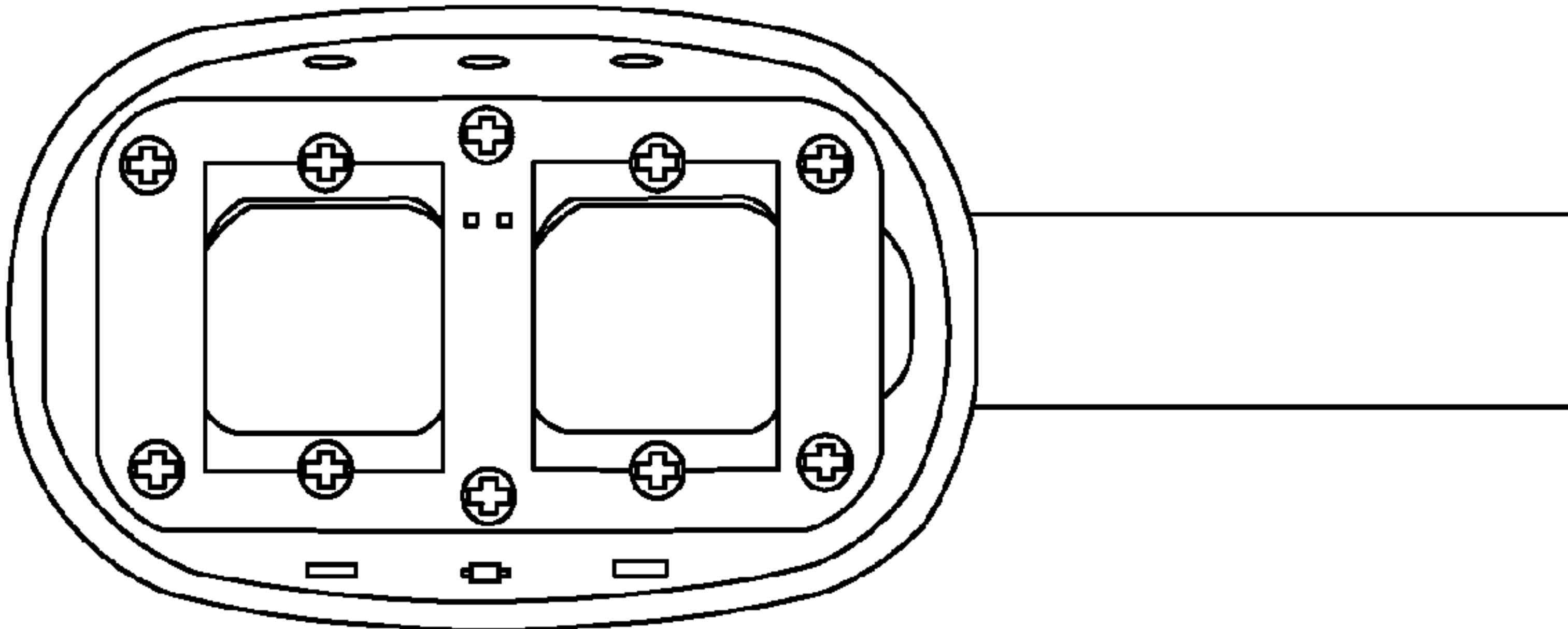


FIGURE 6

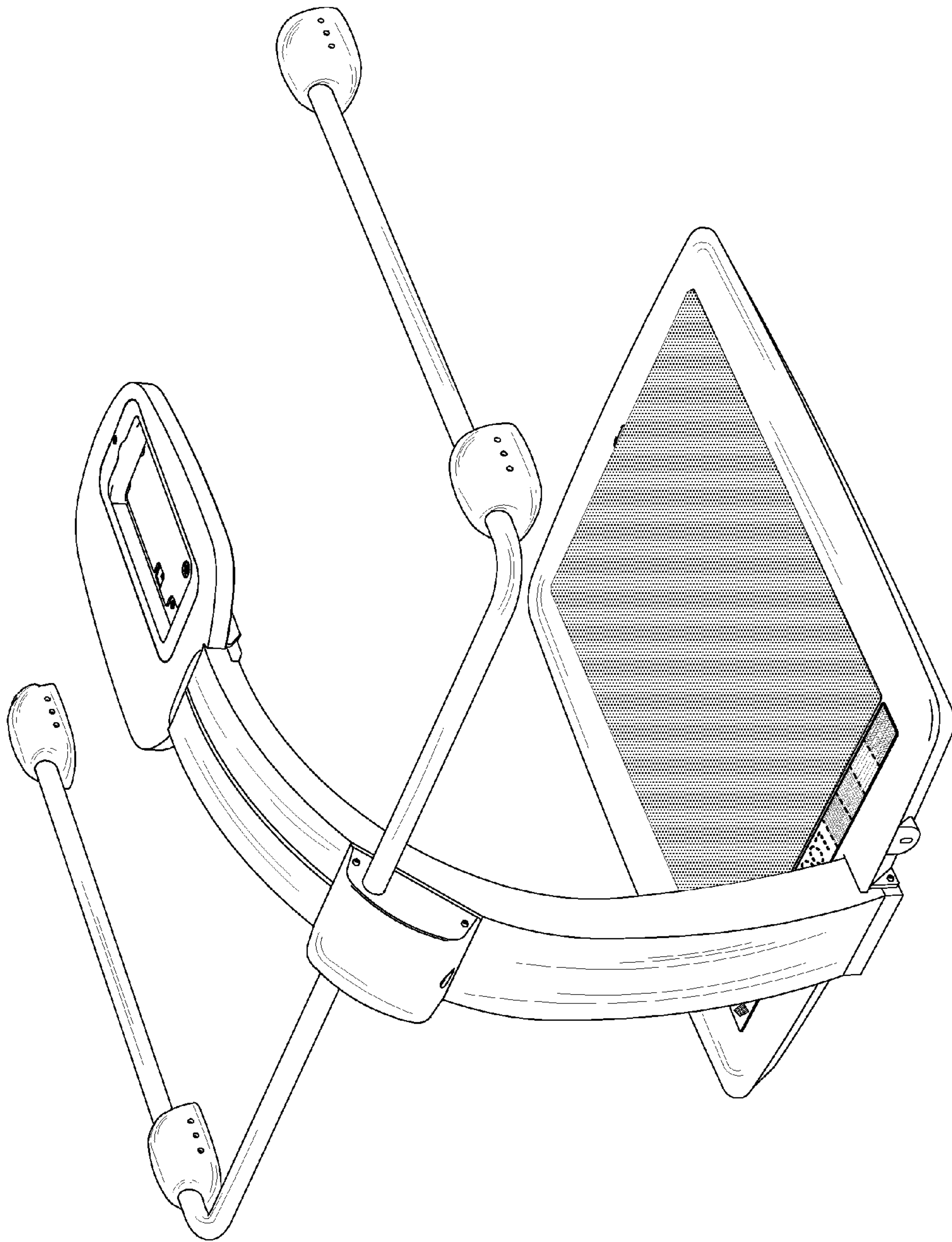




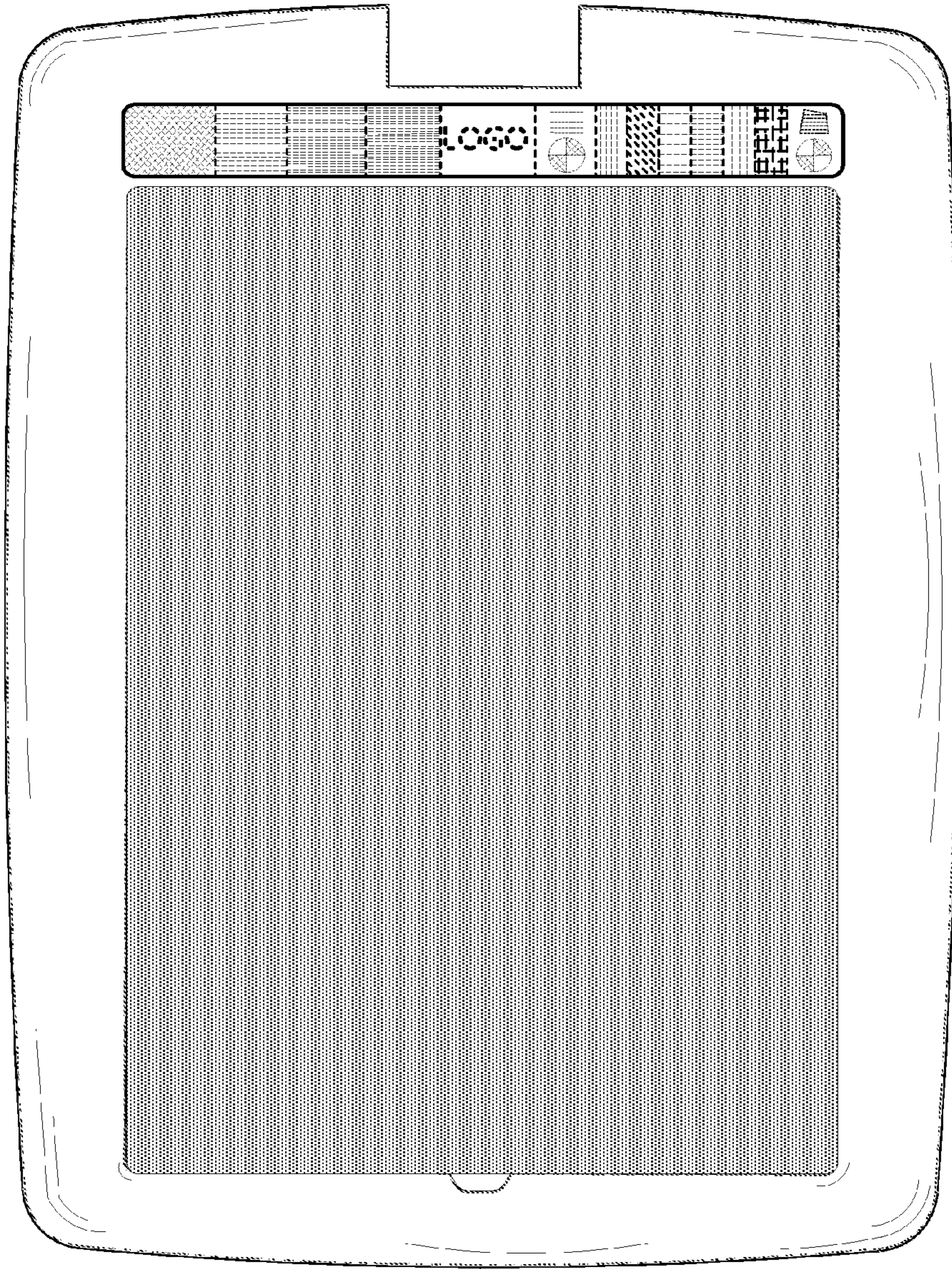
**FIGURE 7**



**FIGURE 7A**



**FIGURE 8**



**FIGURE 9**