



US00D685367S

(12) **United States Design Patent**
Akana et al.

(10) **Patent No.:** **US D685,367 S**

(45) **Date of Patent:** **** Jul. 2, 2013**

(54) **ELECTRONIC DEVICE**

(75) Inventors: **Jody Akana**, San Francisco, CA (US);
Bartley K. Andre, Menlo Park, CA (US); **Jeremy Bataillou**, San Francisco, CA (US); **Daniel J. Coster**, San Francisco, CA (US); **Daniele De Iuliis**, San Francisco, CA (US); **Evans Hankey**, San Francisco, CA (US); **Richard P. Howarth**, San Francisco, CA (US); **Jonathan P. Ive**, San Francisco, CA (US); **Duncan Robert Kerr**, San Francisco, CA (US); **Shin Nishibori**, Portola Valley, CA (US); **Matthew Dean Rohrbach**, San Francisco, CA (US); **Peter Russell-Clarke**, San Francisco, CA (US); **Christopher J. Stringer**, Woodside, CA (US); **Eugene Antony Whang**, San Francisco, CA (US); **Rico Zorkendorfer**, San Francisco, CA (US)

(73) Assignee: **Apple Inc.**, Cupertino, CA (US)

(**) Term: **14 Years**

(21) Appl. No.: **29/415,113**

(22) Filed: **Mar. 7, 2012**

Related U.S. Application Data

(62) Division of application No. 29/363,840, filed on Jun. 15, 2010, now Pat. No. Des. 657,784.

(51) **LOC (9) Cl.** **14-02**

(52) **U.S. Cl.**
USPC **D14/314**

(58) **Field of Classification Search**
USPC D14/314, 348, 363-369, 353-356,
D14/125, 496; D13/162, 184, 199;
312/223.1-223.3; 360/99.01-99.12; 369/34.01,
369/36.01; 361/679.01

See application file for complete search history.

(56) **References Cited**

U.S. PATENT DOCUMENTS

D297,007 S 8/1988 Pushelberg
D373,117 S 8/1996 Barthelemy et al.

(Continued)

FOREIGN PATENT DOCUMENTS

JP 1241895 6/2005
JP 1241896 6/2005

OTHER PUBLICATIONS

Eyegonomic, Eyegonomic Eyebow, www.prweb.com, available at least as early as Mar. 10, 2004.

(Continued)

Primary Examiner — Freda S Nunn

(74) *Attorney, Agent, or Firm* — SAIDMAN DesignLaw Group

(57) **CLAIM**

The ornamental design for an electronic device, as shown and described.

DESCRIPTION

FIG. 1 is a top, front perspective view of an electronic device showing our new design;

FIG. 2 is a top, rear perspective view thereof;

FIG. 3 is a bottom, front perspective view thereof;

FIG. 4 is a bottom, rear perspective view thereof;

FIG. 5 is a front view thereof;

FIG. 6 is a rear view thereof;

FIG. 7 is a left side view thereof;

FIG. 8 is a right side view thereof;

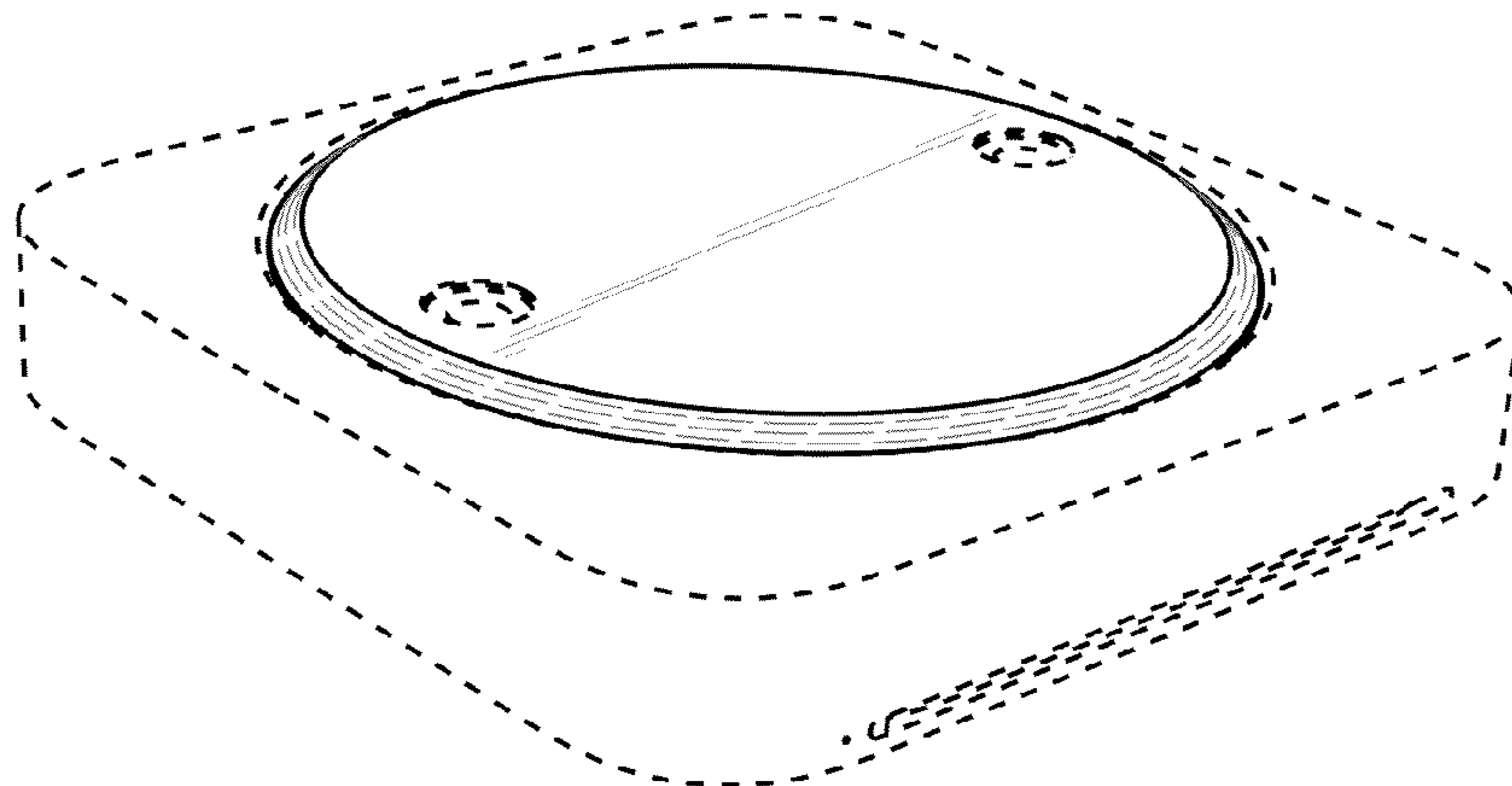
FIG. 9 is a top view thereof; and,

FIG. 10 is a bottom view thereof.

The dashed broken lines are for the purpose of illustrating portions of the electronic device and form no part of the claimed design.

The relatively light gray shade lines indicate contour and not surface decoration.

1 Claim, 4 Drawing Sheets



U.S. PATENT DOCUMENTS

D390,220 S 2/1998 Matsuoka
D426,831 S 6/2000 Hu
D435,845 S 1/2001 Piersol
D461,187 S 8/2002 Andre et al.
D484,128 S 12/2003 Chung
D491,563 S 6/2004 Sato et al.
D494,579 S 8/2004 Chuang et al.
D508,899 S 8/2005 Suzuki
6,933,928 B1 8/2005 Lilienthal
D520,519 S 5/2006 Chin et al.
D522,531 S 6/2006 Solomon et al.
D526,648 S 8/2006 Andre et al.
D530,717 S 10/2006 Mori et al.
D533,177 S 12/2006 Andre et al.
D537,817 S 3/2007 Andre et al.
D540,318 S 4/2007 Wang
D542,288 S 5/2007 Andre et al.
D558,790 S 1/2008 Yu et al.
D563,994 S 3/2008 Liu et al.
D580,933 S 11/2008 Ju et al.
D587,267 S 2/2009 Wang
D590,827 S 4/2009 Song
D594,474 S 6/2009 Hansen et al.
D594,876 S 6/2009 Hwang
D594,877 S 6/2009 Iino et al.
D596,177 S 7/2009 Steele et al.
D596,626 S 7/2009 Andre et al.
D599,753 S 9/2009 Cho et al.
D601,583 S 10/2009 Andre et al.
D601,585 S 10/2009 Andre et al.

D604,729 S 11/2009 Andre et al.
D605,145 S 12/2009 Kellar
D613,283 S 4/2010 Andre et al.
D618,232 S 6/2010 O'Neil et al.
D620,953 S 8/2010 Andre et al.
D621,397 S 8/2010 Andre et al.
D650,377 S 12/2011 Akana et al.
D657,784 S * 4/2012 Akana et al. D14/314
2006/0146491 A1 7/2006 Chen
2008/0062636 A1 3/2008 Liu

OTHER PUBLICATIONS

Eyegonomic, Eyegonomic Eyebox, www.eyegonomic.com/page=205, available at least as early as Feb. 7, 2005.
Green House, Mac Mini, www.green-house.co.jp, Nov. 14, 2005.
Office action dated Apr. 22, 2008 in U.S. Appl. No. 29/266,005 entitled "Media Device".
Office action dated Apr. 23, 2008 in U.S. Appl. No. 29/265,955 entitled "Media Device".
Office action dated Nov. 19, 2008 in U.S. Appl. No. 29/265,955 entitled "Media Device".
Office action dated Nov. 25, 2008 in U.S. Appl. No. 29/266,005 entitled "Media Device".
http://www.amazon.com/gp/product/images/B000CDR8PU/ref=dp_othersviews_3?ie=UTF8&s=electronics&simg=3, first available Apr. 2, 2004.
U.S. Appl. No. 29/405,931 entitled "Electronic Device" filed Nov. 8, 2011.

* cited by examiner

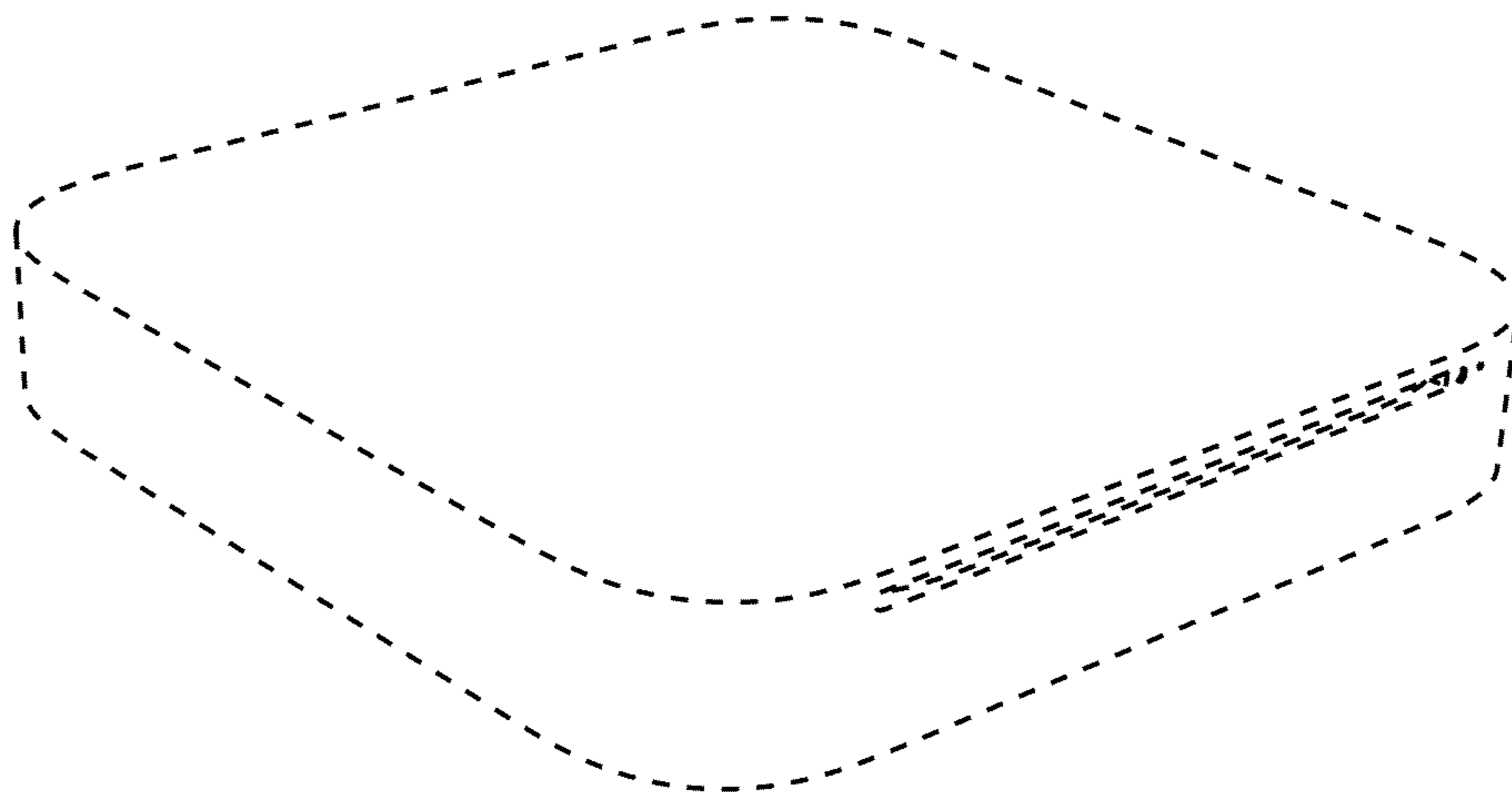


Fig. 1

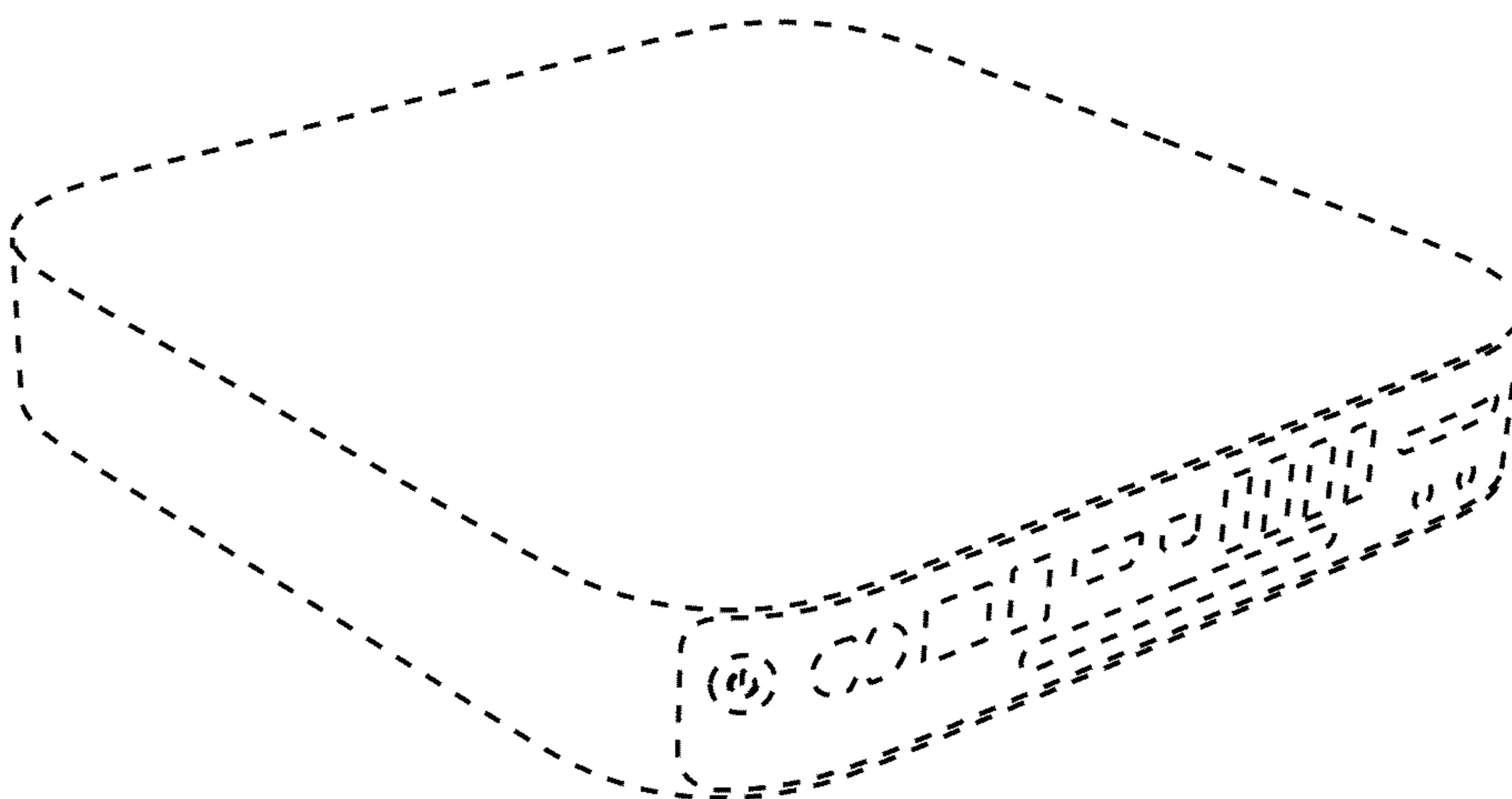


Fig. 2

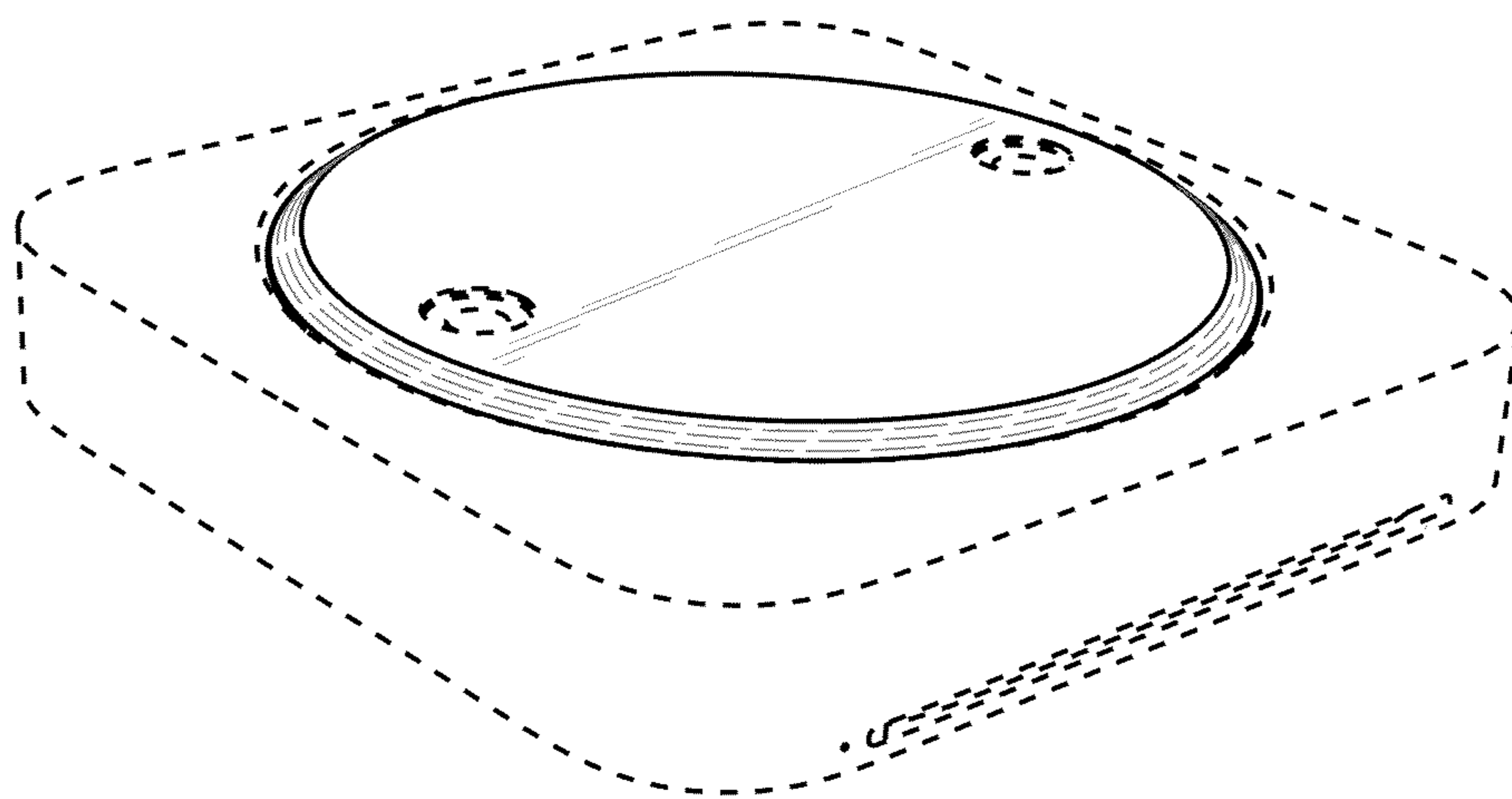


Fig. 3

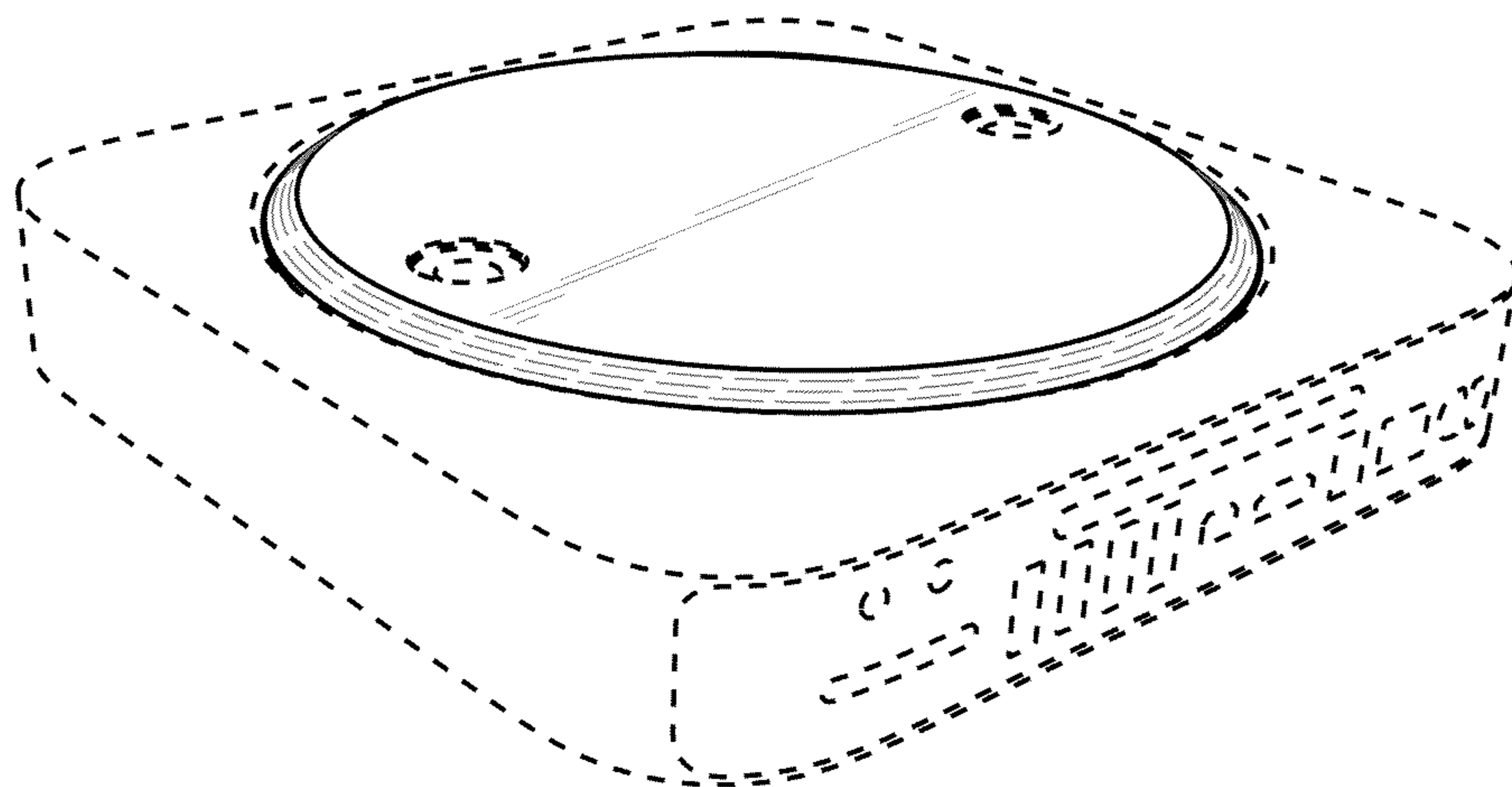


Fig. 4

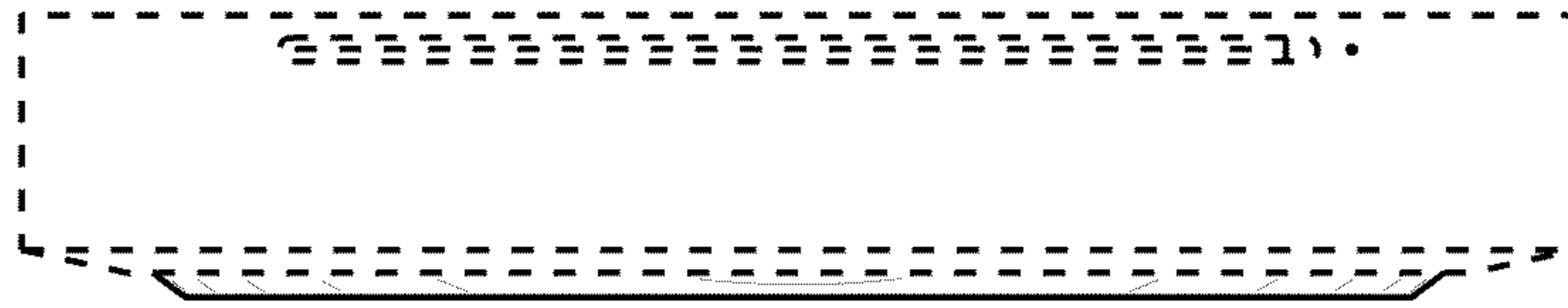


Fig. 5

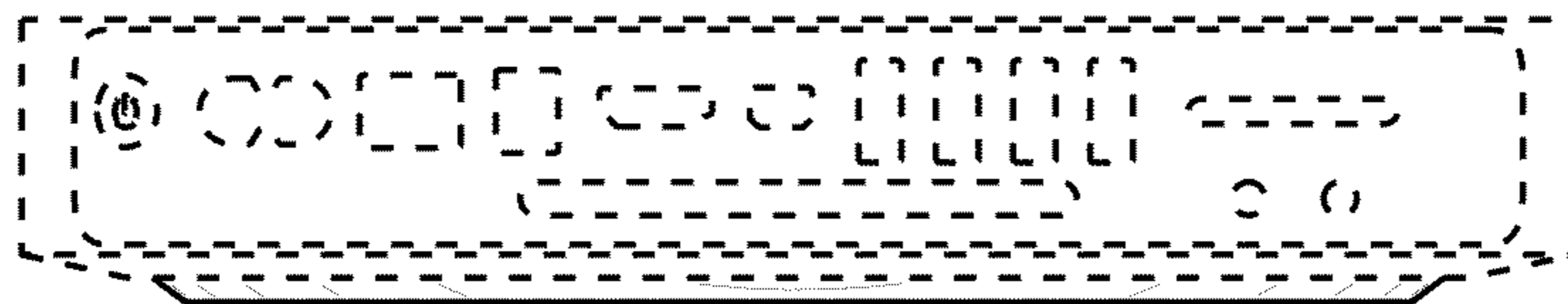


Fig. 6

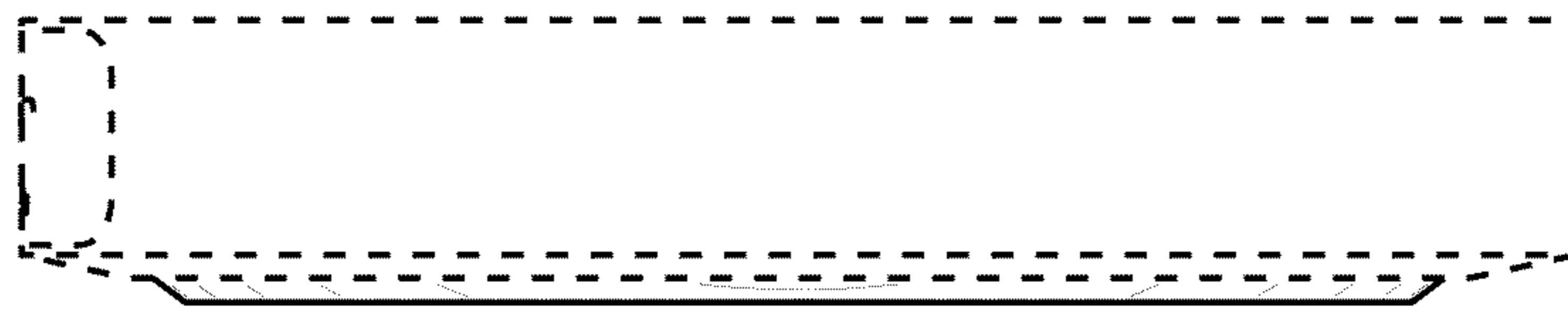


Fig. 7

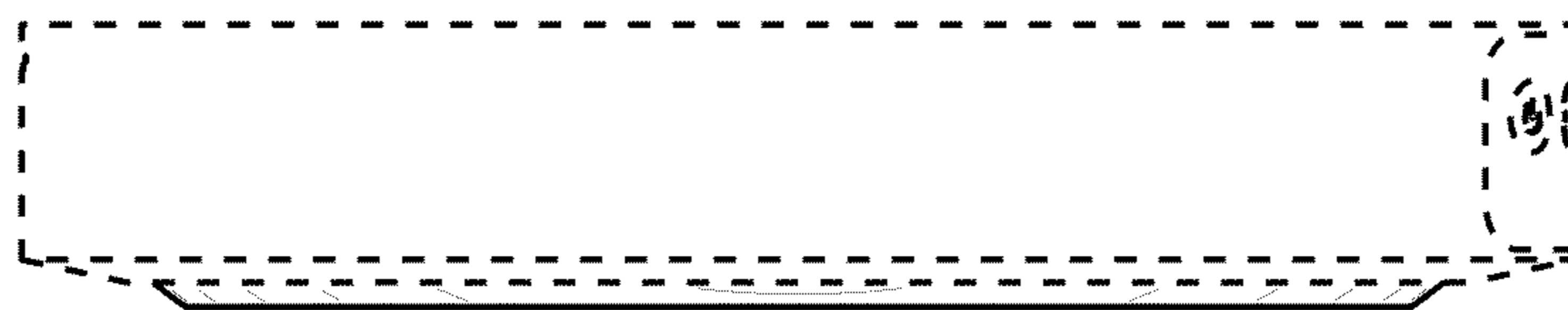


Fig. 8

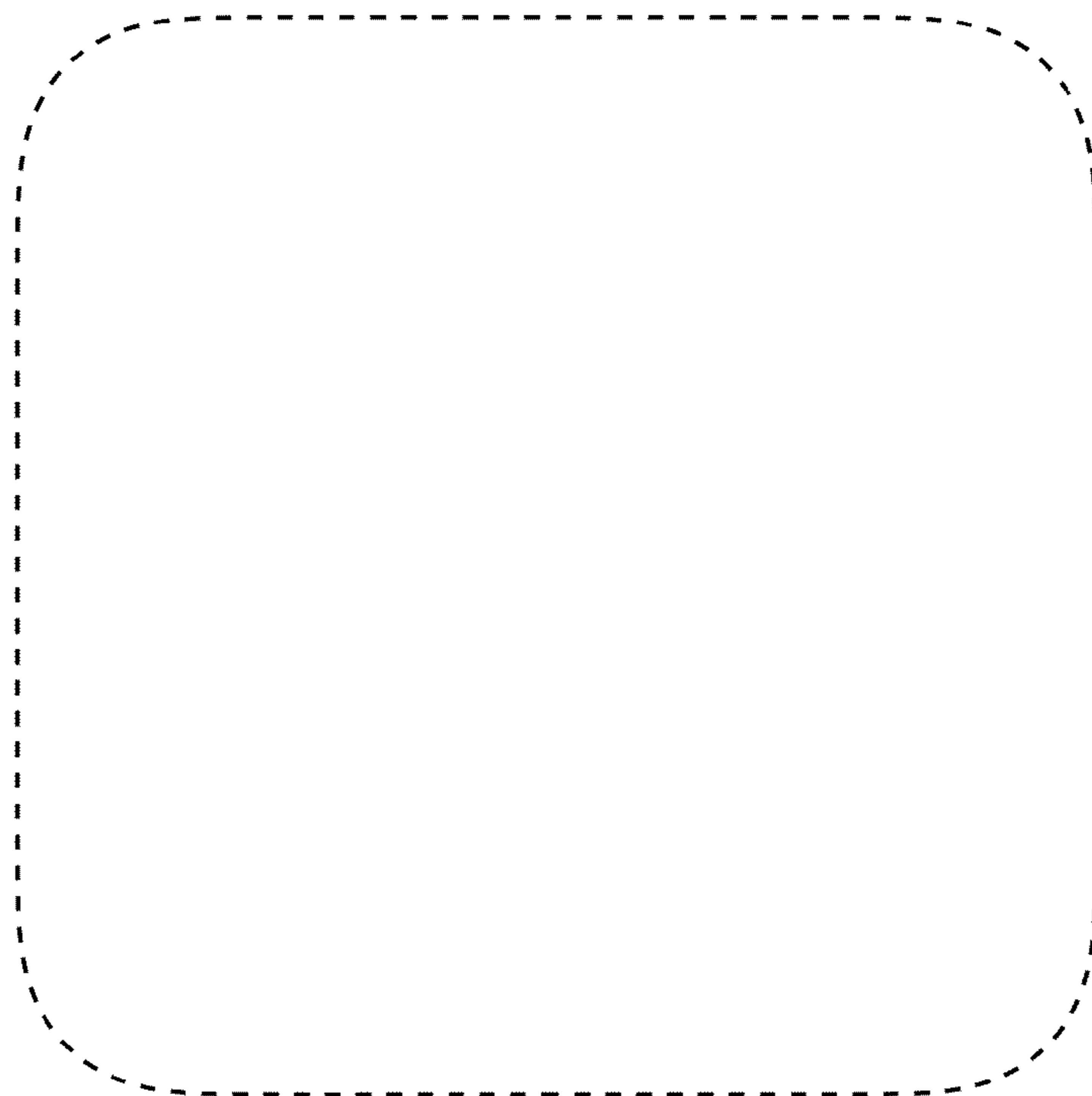


Fig. 9

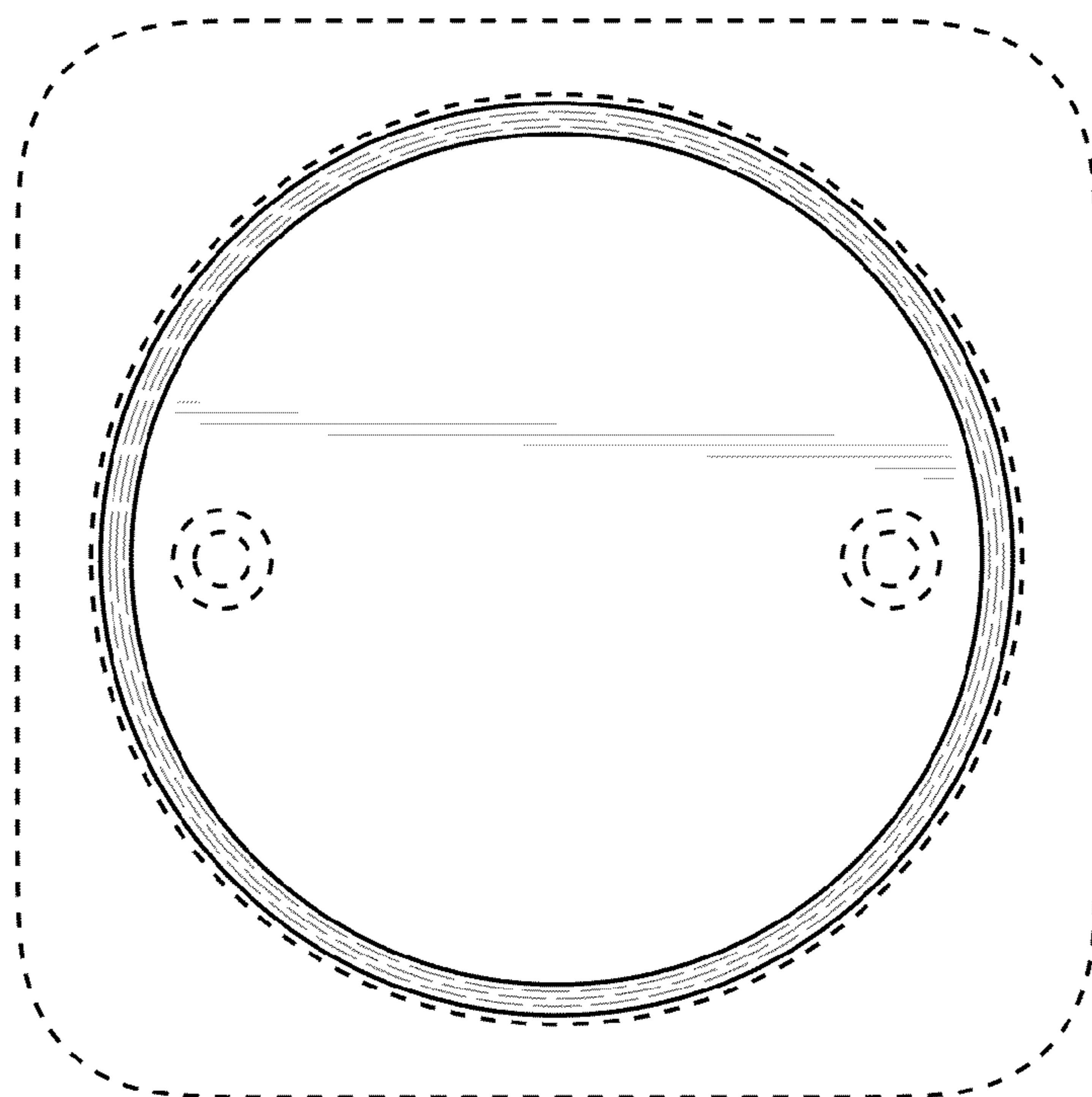


Fig. 10