



US00D685366S

(12) **United States Design Patent**
Ding

(10) **Patent No.:** **US D685,366 S**
(45) **Date of Patent:** **** Jul. 2, 2013**

(54) **MEDIA HOLDER**

(76) Inventor: **Jimmy Ding**, Ningbo (CN)

(**) Term: **14 Years**

(21) Appl. No.: **29/430,994**

(22) Filed: **Aug. 31, 2012**

Related U.S. Application Data

(62) Division of application No. 29/390,940, filed on Apr. 29, 2011, now Pat. No. Des. 666,614.

(51) **LOC (9) Cl.** **14-03**

(52) **U.S. Cl.**
USPC **D14/253**

(58) **Field of Classification Search**

USPC D14/140, 142, 147-149, 217, 240,
D14/432, 434, 447, 452, 454, 496, 144, 451,
D14/457, 229, 250-253; D8/363, 373; D12/415,
D12/418, 422; 248/206.2-206.4, 220.21,
248/279.1, 130; 379/426, 446, 454, 455;
D13/107-108; D16/242; D21/333; 361/679,
361/679.41, 679.43; 320/115; 455/572; 439/534
See application file for complete search history.

(56) **References Cited**

U.S. PATENT DOCUMENTS

D309,986	S *	8/1990	Sakai	D6/308
D471,548	S *	3/2003	Zheng	D14/253
D500,252	S *	12/2004	Hsu	D10/18
D520,013	S *	5/2006	Yang	D14/434
D556,212	S *	11/2007	Hussaini et al.	D14/496
D594,849	S *	6/2009	Ko	D14/217
D606,545	S *	12/2009	Salmon	D14/434
D607,817	S *	1/2010	Tan	D13/108
7,708,240	B2 *	5/2010	Homer et al.	248/130
D623,642	S *	9/2010	Wang	D14/253
D637,952	S *	5/2011	Tan	D13/108
8,030,892	B2 *	10/2011	Fang et al.	320/115
D658,168	S *	4/2012	Werth	D14/253

(Continued)

OTHER PUBLICATIONS

Folding Cell Phone Holder, <URL:http://www.qualitylogoproducts.com/desktop-items/folding-cell-phone-holder.htm>, retrieved from internet on Dec. 8, 2012.*

(Continued)

Primary Examiner — Carla Jobe Wright

(74) *Attorney, Agent, or Firm* — Robert J. Veal; Veal Intellectual Property, LLC

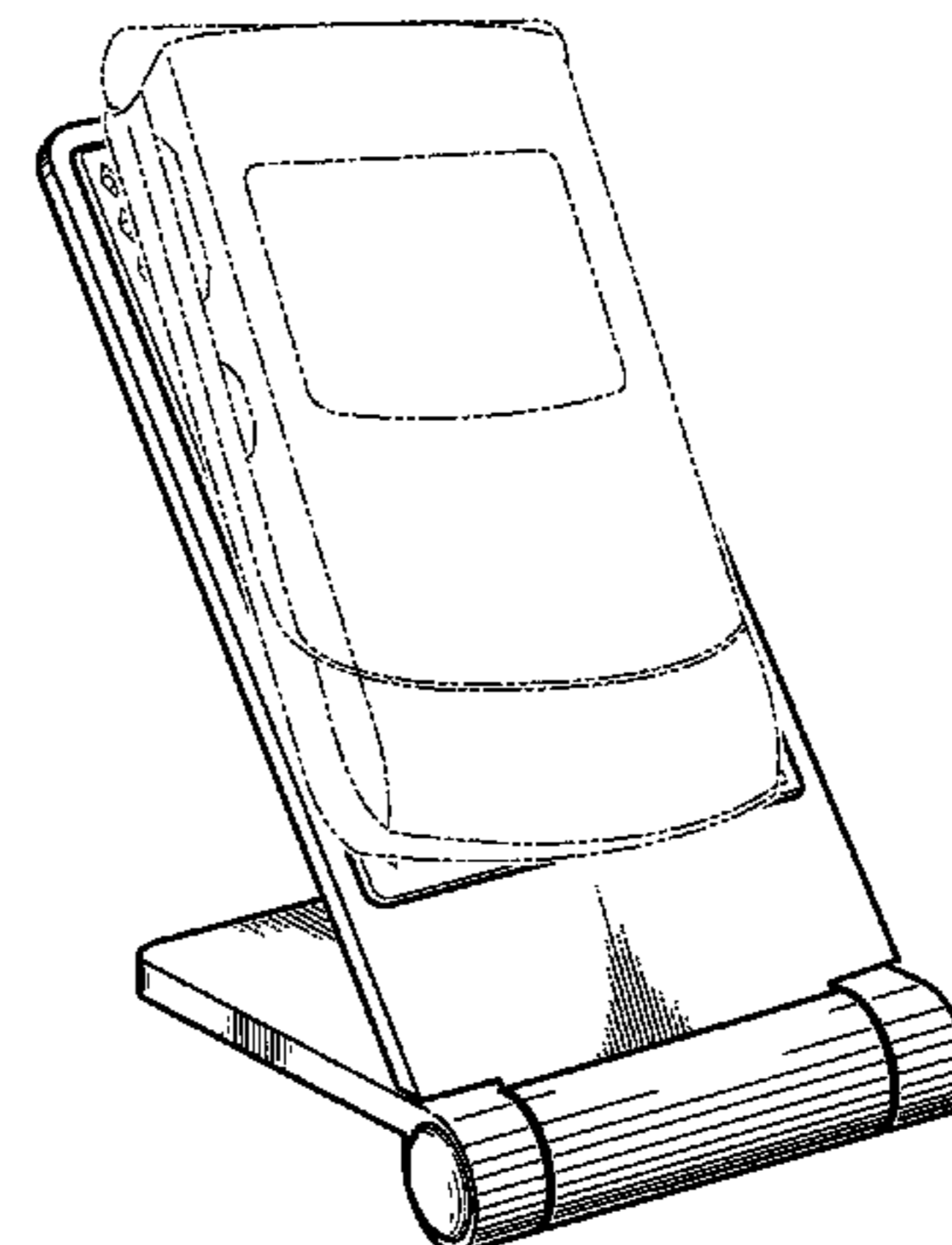
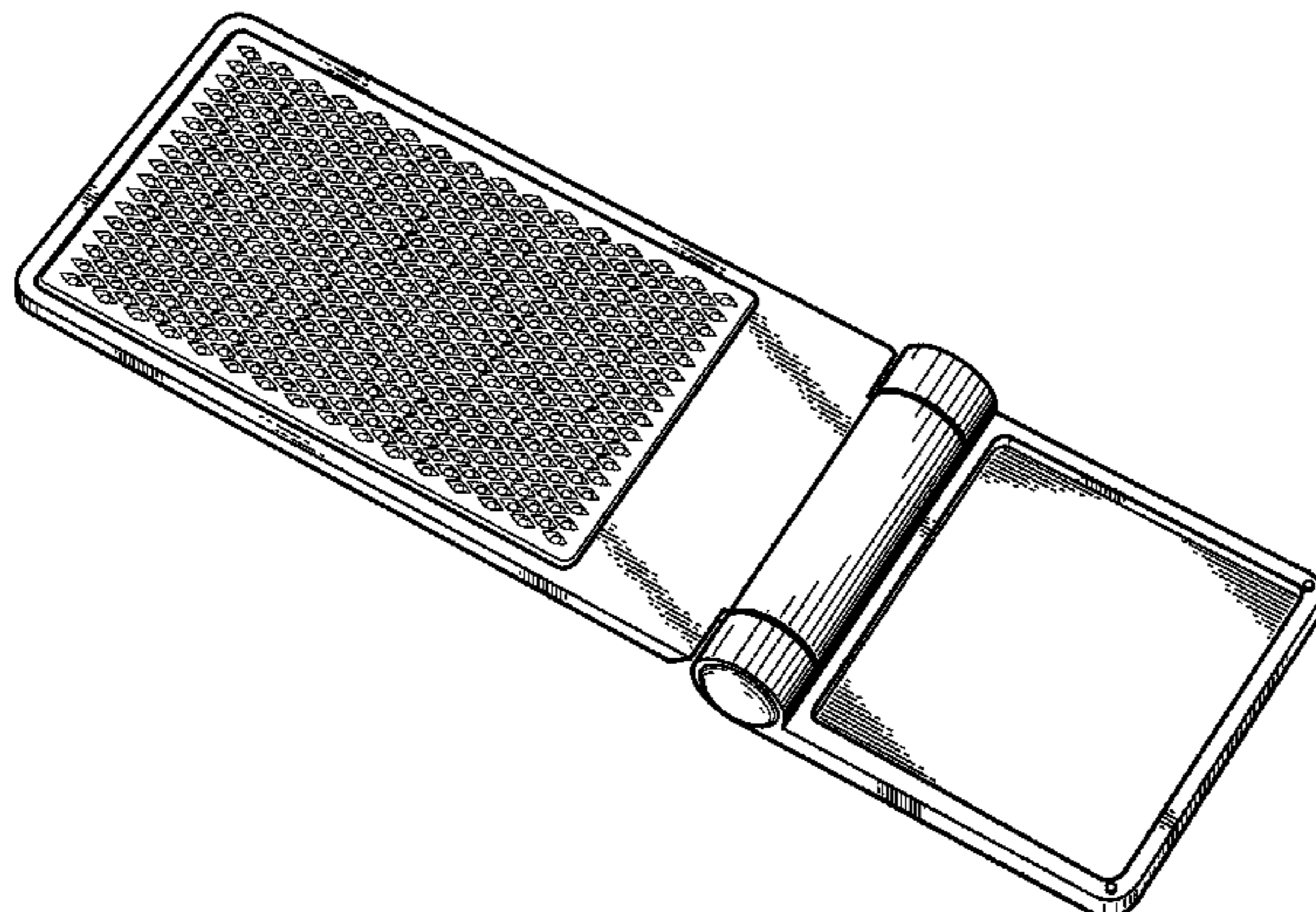
(57) **CLAIM**

The ornamental design for a media holder, as shown and described.

DESCRIPTION

FIG. 1 is a perspective view of the media holder;
FIG. 2 is a front view of the media holder;
FIG. 3 is a rear view of the media holder;
FIG. 4 is a first side view of the media holder;
FIG. 5 is a second side view of the media holder opposite the first side;
FIG. 6 is a top plan view of the media holder;
FIG. 7 is a bottom view of the media holder;
FIG. 8 is a perspective view of the media holder in a folded and collapsed position;
FIG. 9 is a perspective view of the media holder in a folded and extended position, the broken lines provided for the purpose of illustrating a cell phone proximate the media holder and forming no part of the claimed design; and,
FIG. 10 is a perspective view of the media holder in a folded and extended position shown in FIG. 9.
The broken lines provided in FIG. 9 are to disclose the environment related to the claimed design and form no part of the claimed design.

1 Claim, 5 Drawing Sheets



US D685,366 S

Page 2

U.S. PATENT DOCUMENTS

D659,147	S *	5/2012	Hu et al.	D14/447
D660,227	S *	5/2012	Rodbro	D13/107
D664,528	S *	7/2012	Chen et al.	D14/253
D666,614	S *	9/2012	Ding	D14/253
D670,703	S *	11/2012	Hasbrook et al.	D14/447
2004/0097127	A1 *	5/2004	Smith et al.	439/533
2006/0238164	A1 *	10/2006	Rosal et al.	320/115
2008/0108395	A1 *	5/2008	Lee et al.	455/572

OTHER PUBLICATIONS

OEM JFN001 USB Card Reader Hub Cell Phone Holder,
<URL:<http://sell.bizrice.com/selling-leads/22124/-USB-Card-Reader-Hub-Cell-Phone-Holder.html>>, retrieved from internet on
Dec. 8, 2012.*

* cited by examiner

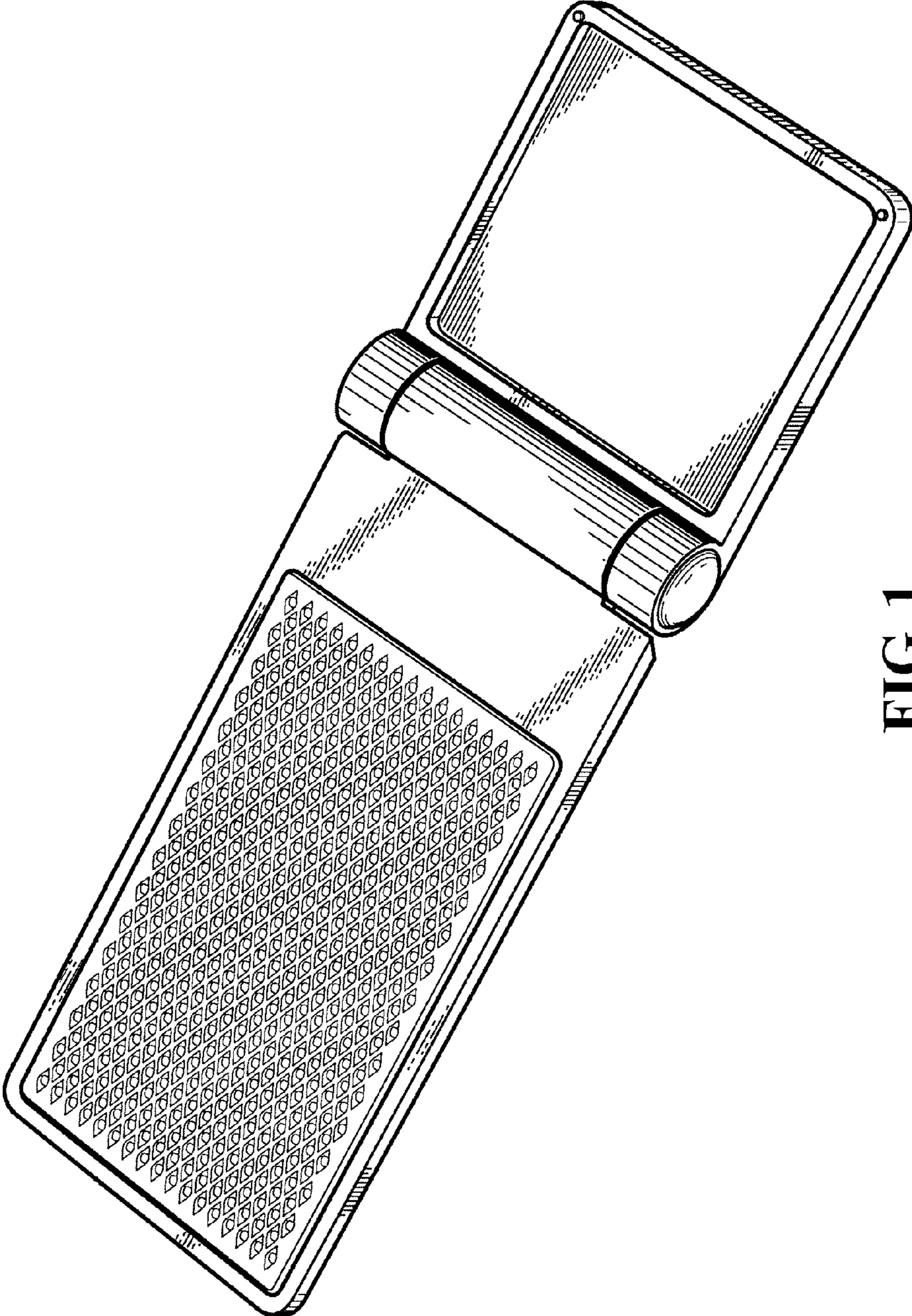


FIG. 1

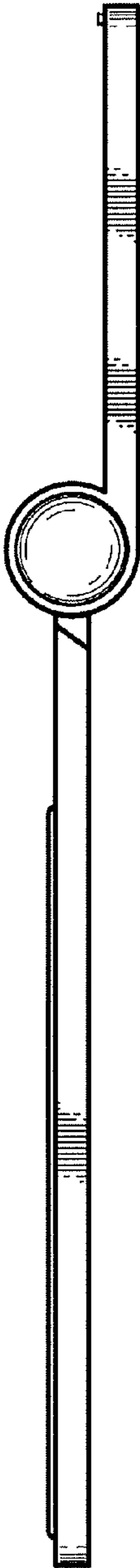


FIG. 2

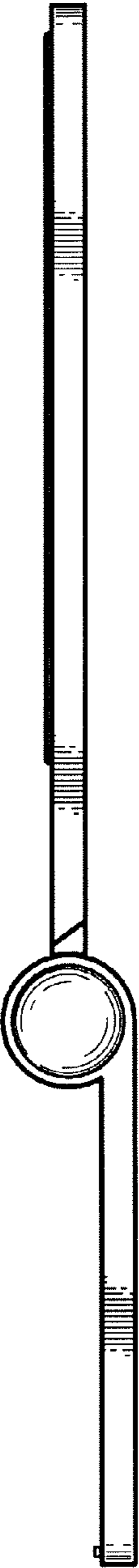


FIG. 3

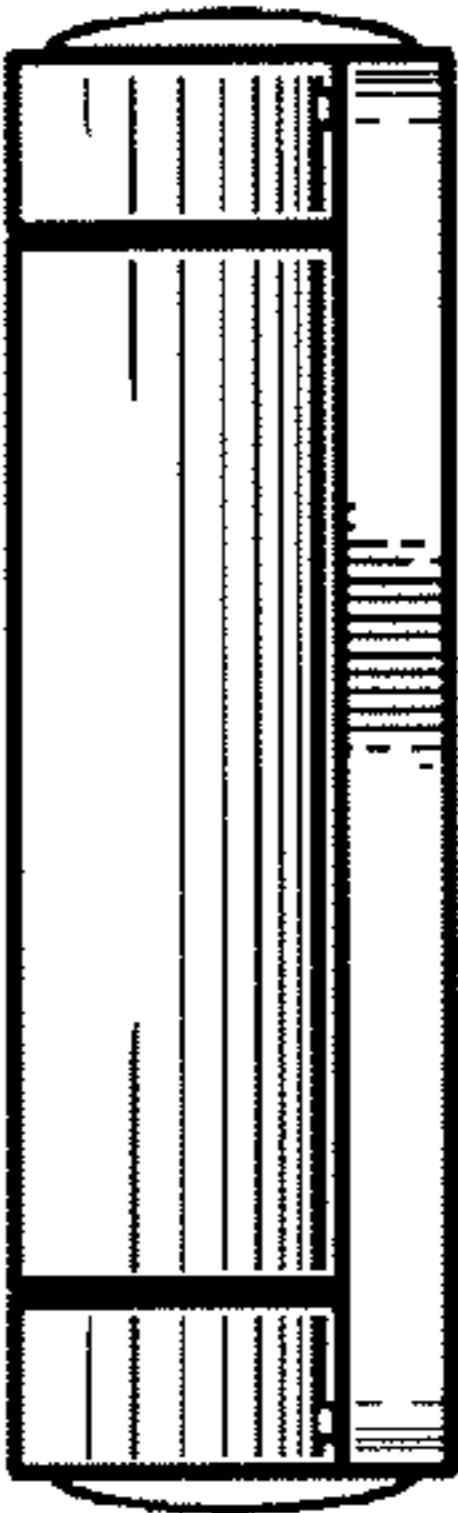


FIG. 5

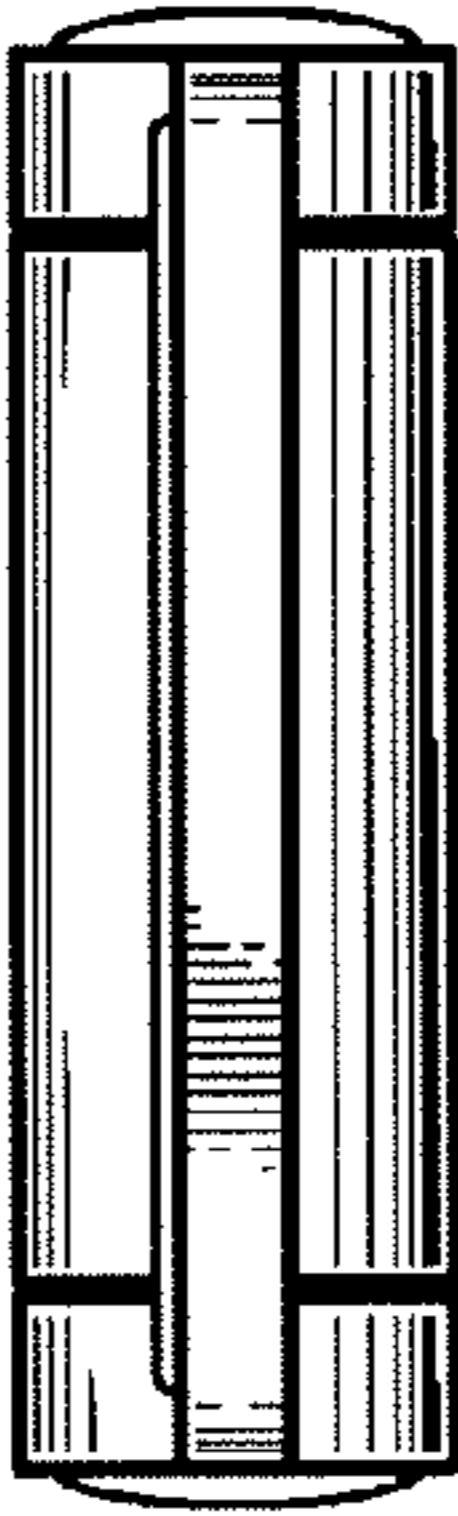


FIG. 4

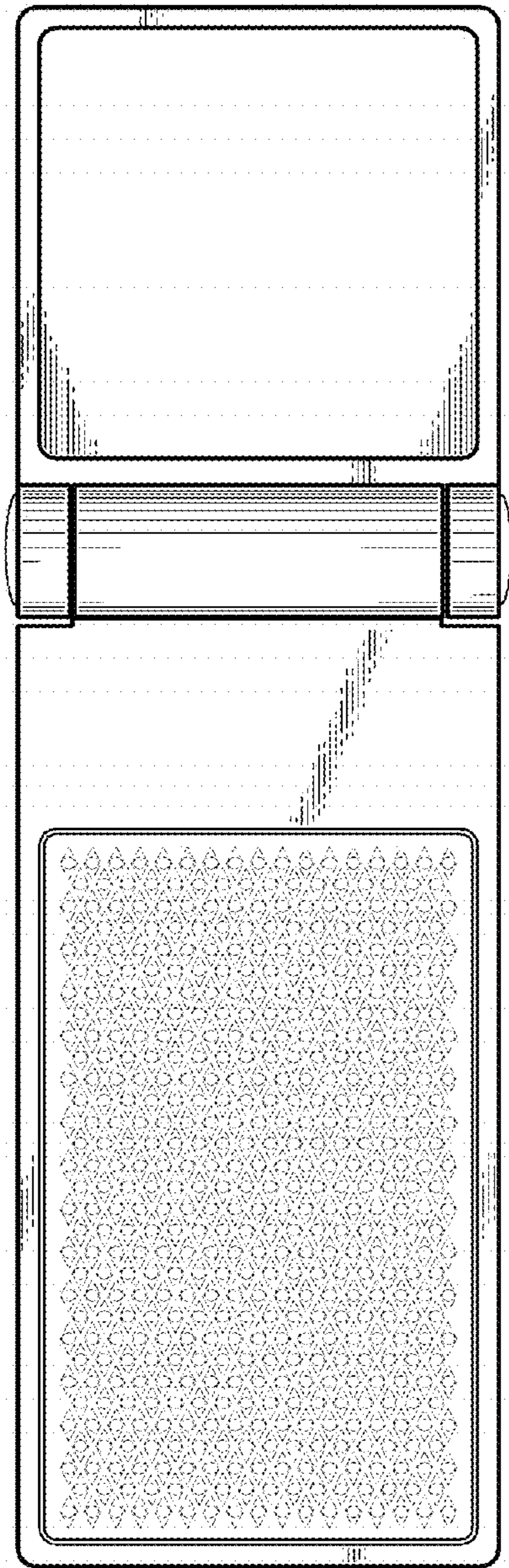


FIG. 6

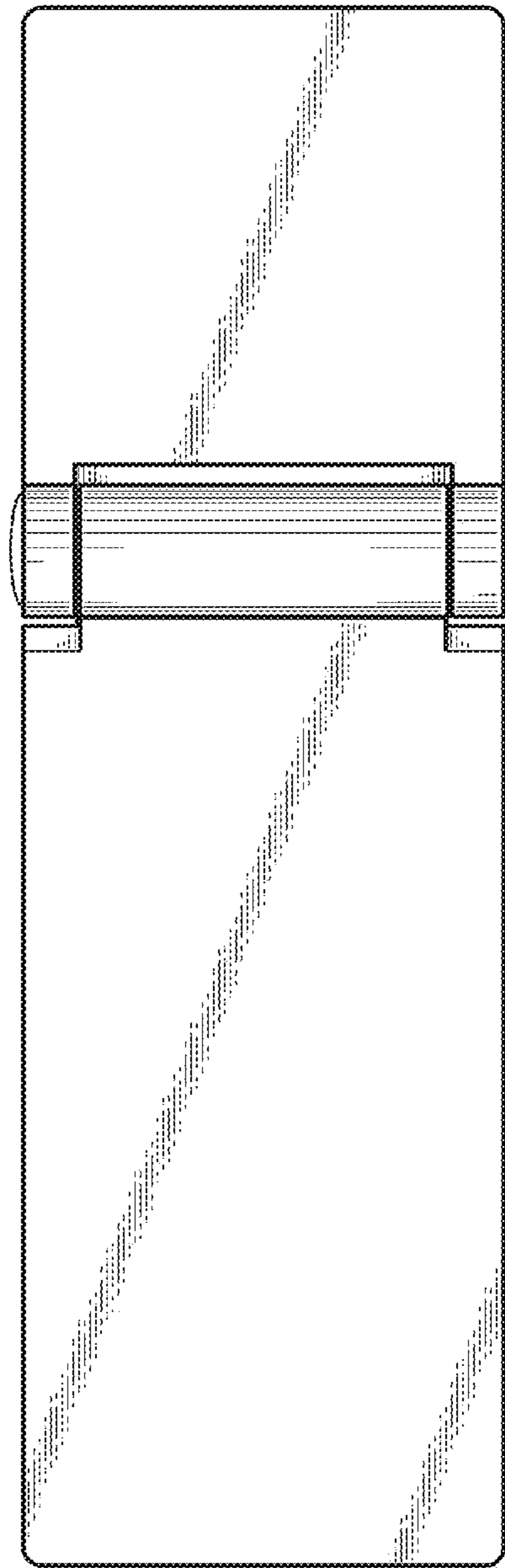


FIG. 7

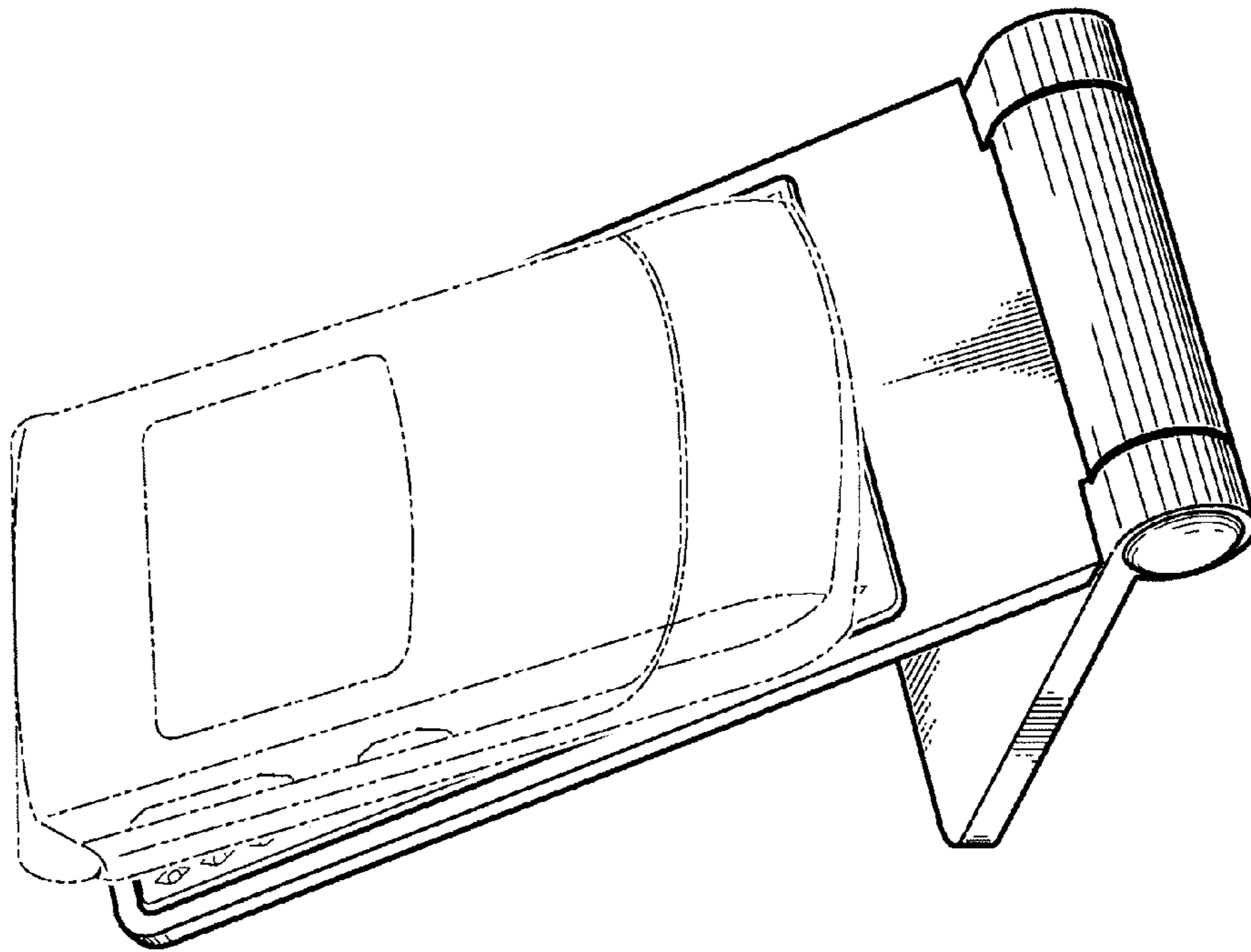


FIG. 9

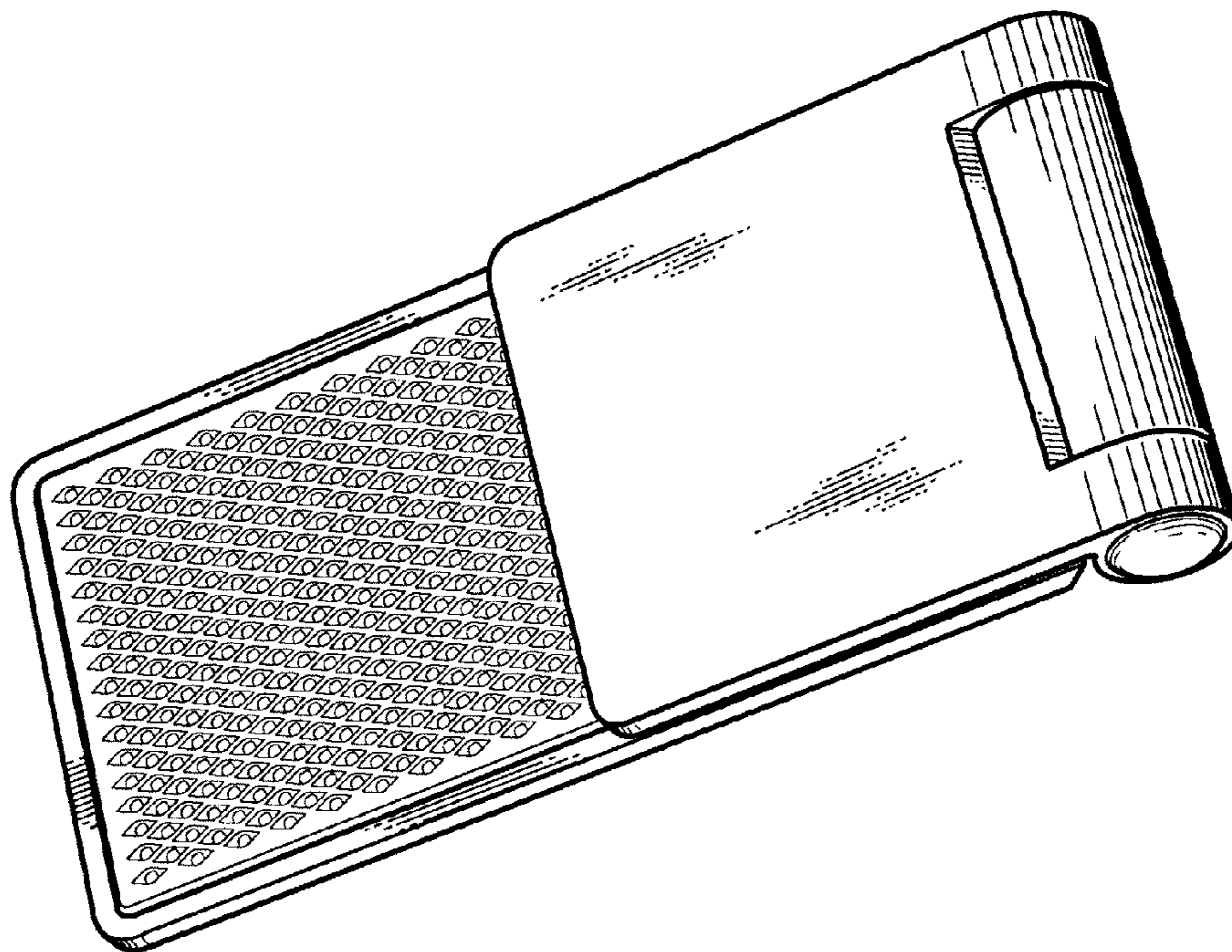


FIG. 8

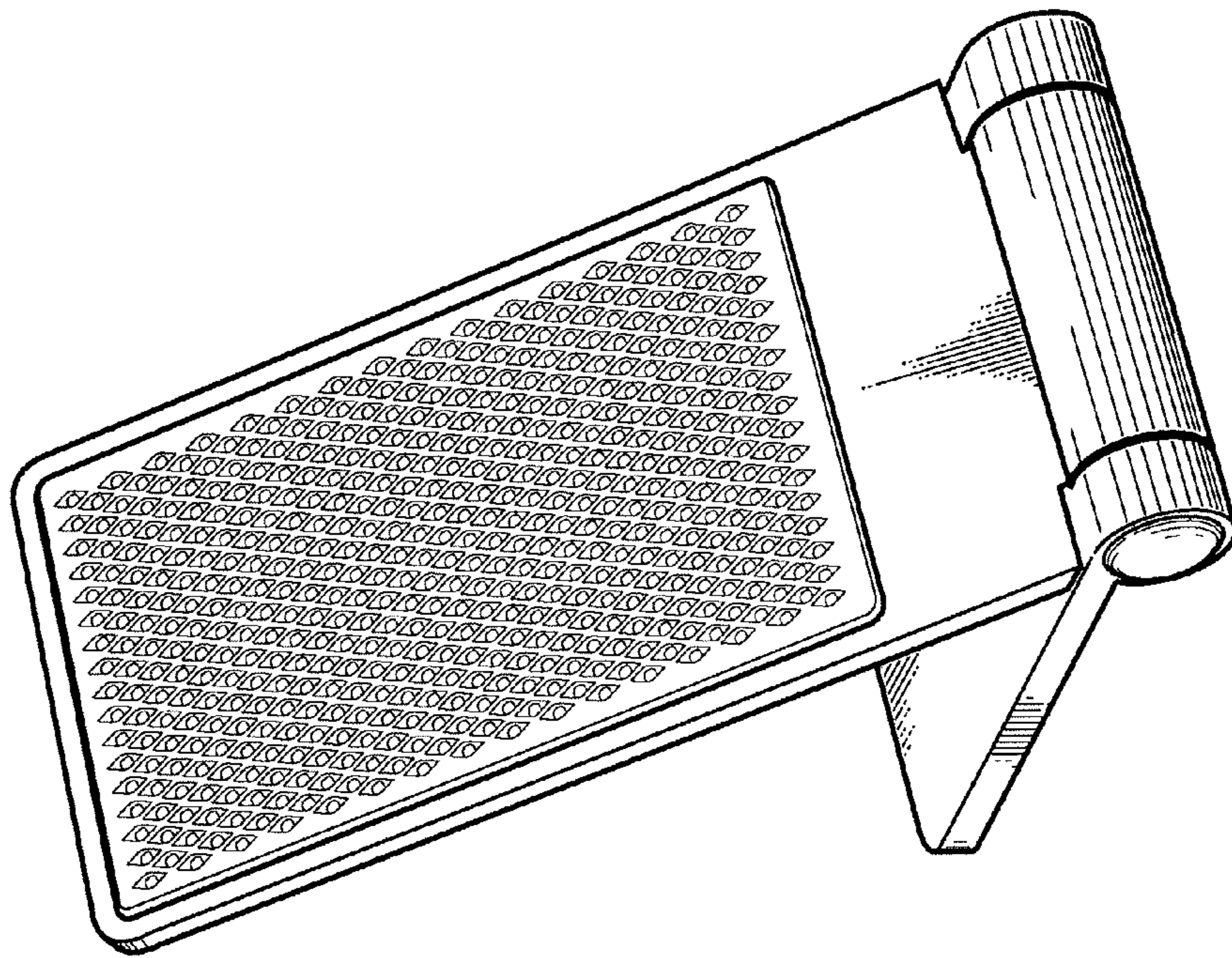


FIG. 10