



US00D685362S

(12) **United States Design Patent**
Murchison et al.

(10) **Patent No.:** **US D685,362 S**
(45) **Date of Patent:** **** Jul. 2, 2013**

(54) **DEVICE SHELL**

(71) Applicant: **Research in Motion Limited**, Waterloo (CA)

(72) Inventors: **Ian James Murchison**, Toronto (CA);
Anders Fahrendorff, Ottawa (CA)

(73) Assignee: **Research In Motion Limited**, Waterloo, Ontario (CA)

(**) Term: **14 Years**

(21) Appl. No.: **29/434,989**

(22) Filed: **Oct. 18, 2012**

(51) **LOC (9) Cl.** **14-03**

(52) **U.S. Cl.**
USPC **D14/250**

(58) **Field of Classification Search**
USPC D14/250–253, 440, 203.3–203.7,
D14/217, 496, 248, 238.1, 240, 447; D13/103,
D13/107–108, 119; 220/4.02; 248/309.1,
248/371, 176.3, 668; 361/679.56, 679.3,
361/679.25, 816; 379/426, 433.11, 455;
455/575.1, 575.8; 206/305, 320; D3/201,
D3/218, 247, 269, 273, 301, 303
See application file for complete search history.

(56) **References Cited**

U.S. PATENT DOCUMENTS

D542,287 S * 5/2007 Chung et al. D14/252
D542,785 S * 5/2007 Chung et al. D14/252
D564,754 S * 3/2008 Tages et al. D3/218

D565,290 S * 4/2008 Brandenburg et al. D3/218
D570,593 S * 6/2008 Justiss D3/201
D593,750 S * 6/2009 Song D3/269
D620,931 S * 8/2010 Opman D14/250
D625,303 S * 10/2010 Kim D14/250
D627,771 S * 11/2010 Smith et al. D14/253
D645,033 S * 9/2011 Quong et al. D14/253
D645,462 S * 9/2011 Choi D14/253
D647,085 S * 10/2011 Chung et al. D14/250
D651,606 S * 1/2012 Luijben D14/447
D653,249 S * 1/2012 Fahrendorff et al. D14/250
D654,068 S * 2/2012 Monaco et al. D14/250
D654,069 S * 2/2012 Kwon et al. D14/250
D661,646 S * 6/2012 Son D13/108
D662,928 S * 7/2012 Fahrendorff et al. D14/250
D668,247 S * 10/2012 Kim et al. D14/253
D676,034 S * 2/2013 Stuart D14/250
2010/0224519 A1 * 9/2010 Kao 206/320

* cited by examiner

Primary Examiner — Carla Jobe Wright

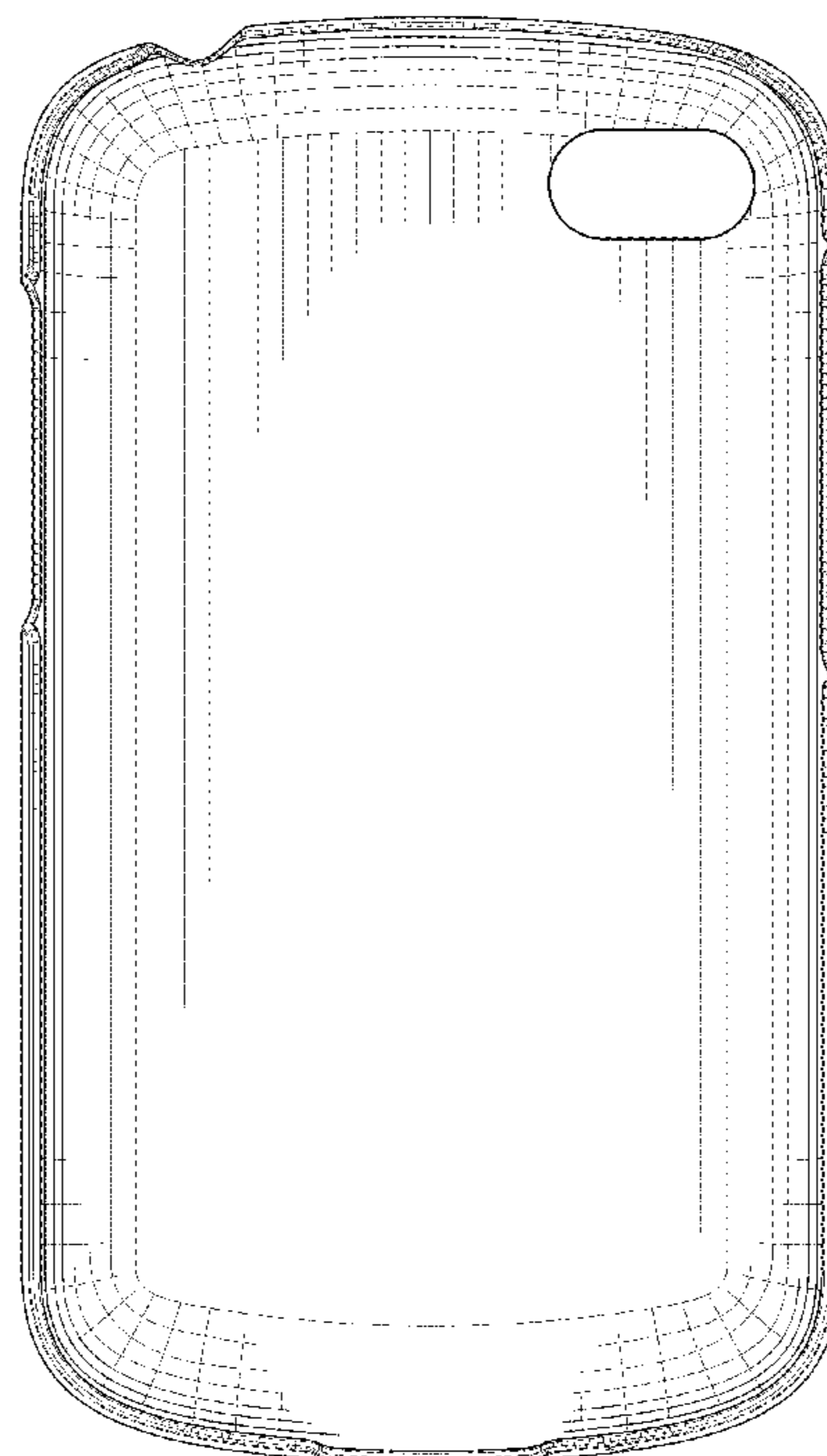
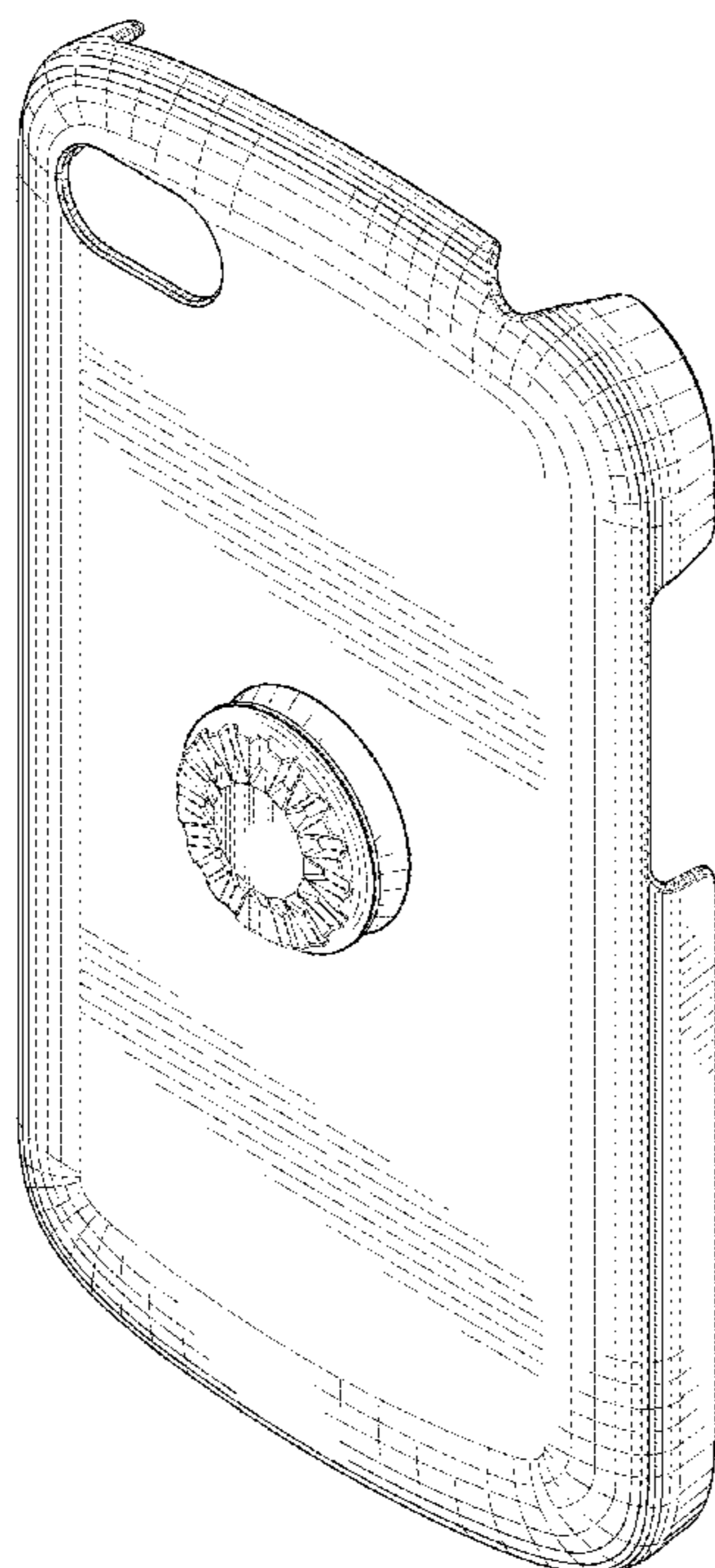
(57) **CLAIM**

We claim the ornamental design for a device shell, as shown and described.

DESCRIPTION

FIG. 1 is a front perspective view of a device shell;
FIG. 2 is a back perspective view of the device shell;
FIG. 3 is a front elevational view thereof;
FIG. 4 is a back elevational view thereof;
FIG. 5 is a left elevational view thereof;
FIG. 6 is a right elevational view thereof;
FIG. 7 is a top plan view thereof; and,
FIG. 8 is a bottom plan view thereof.

1 Claim, 6 Drawing Sheets



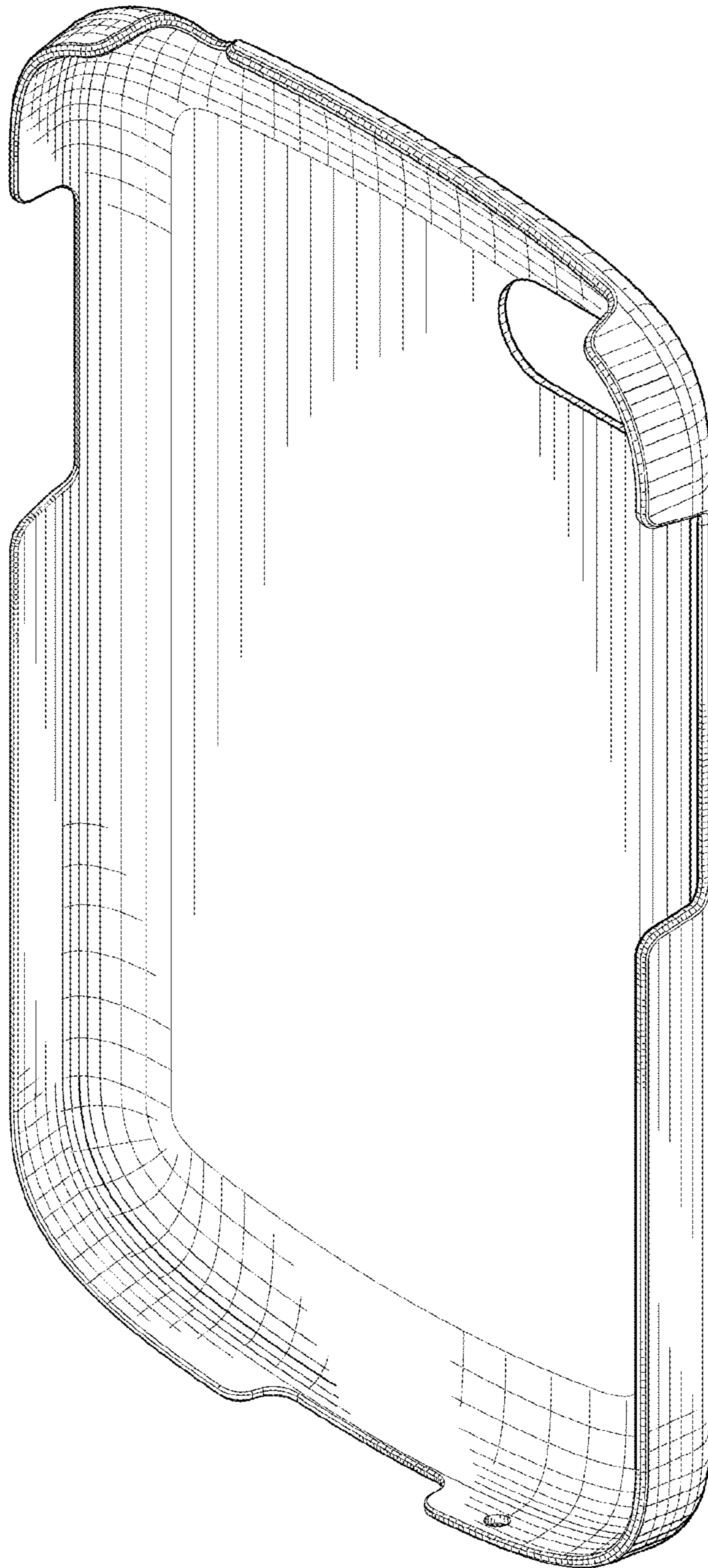


FIG. 1

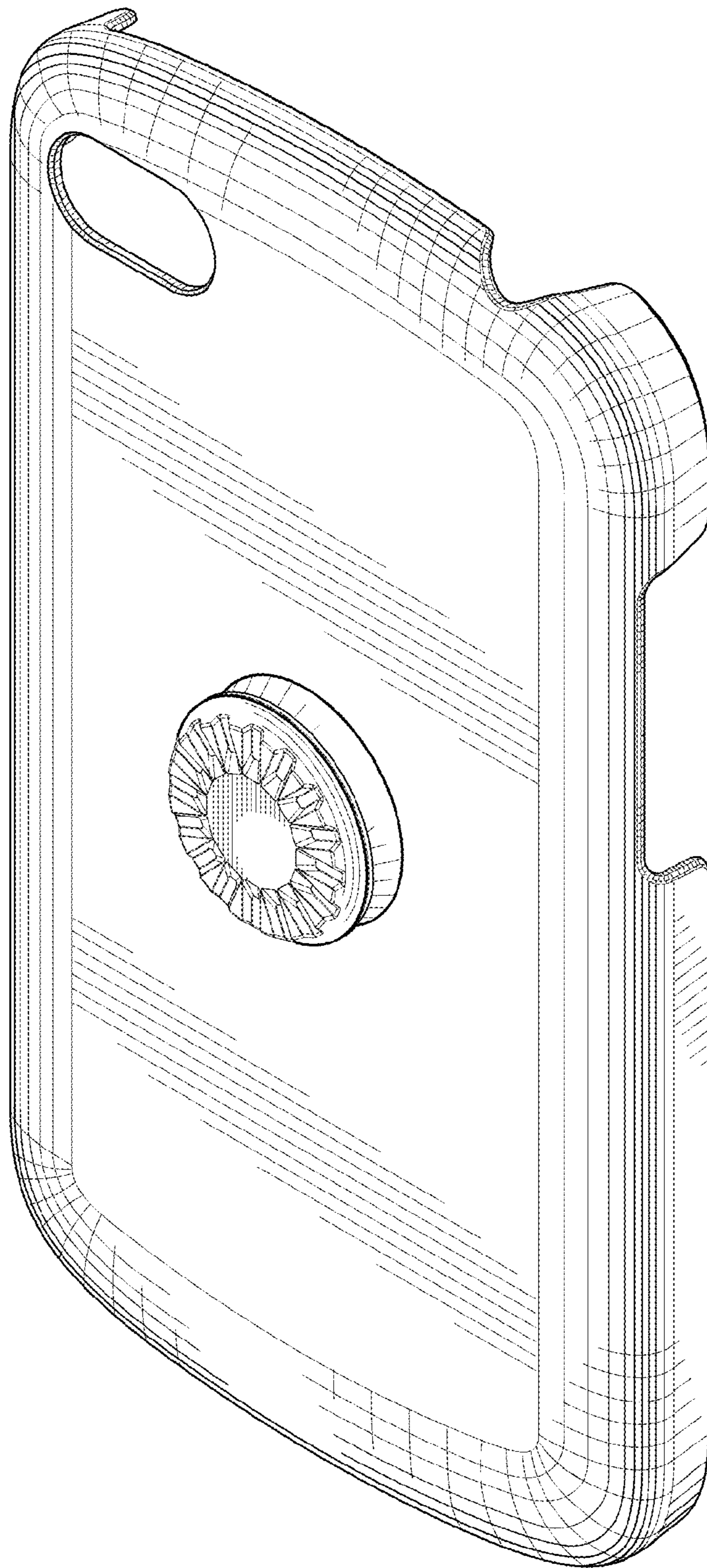


FIG.2

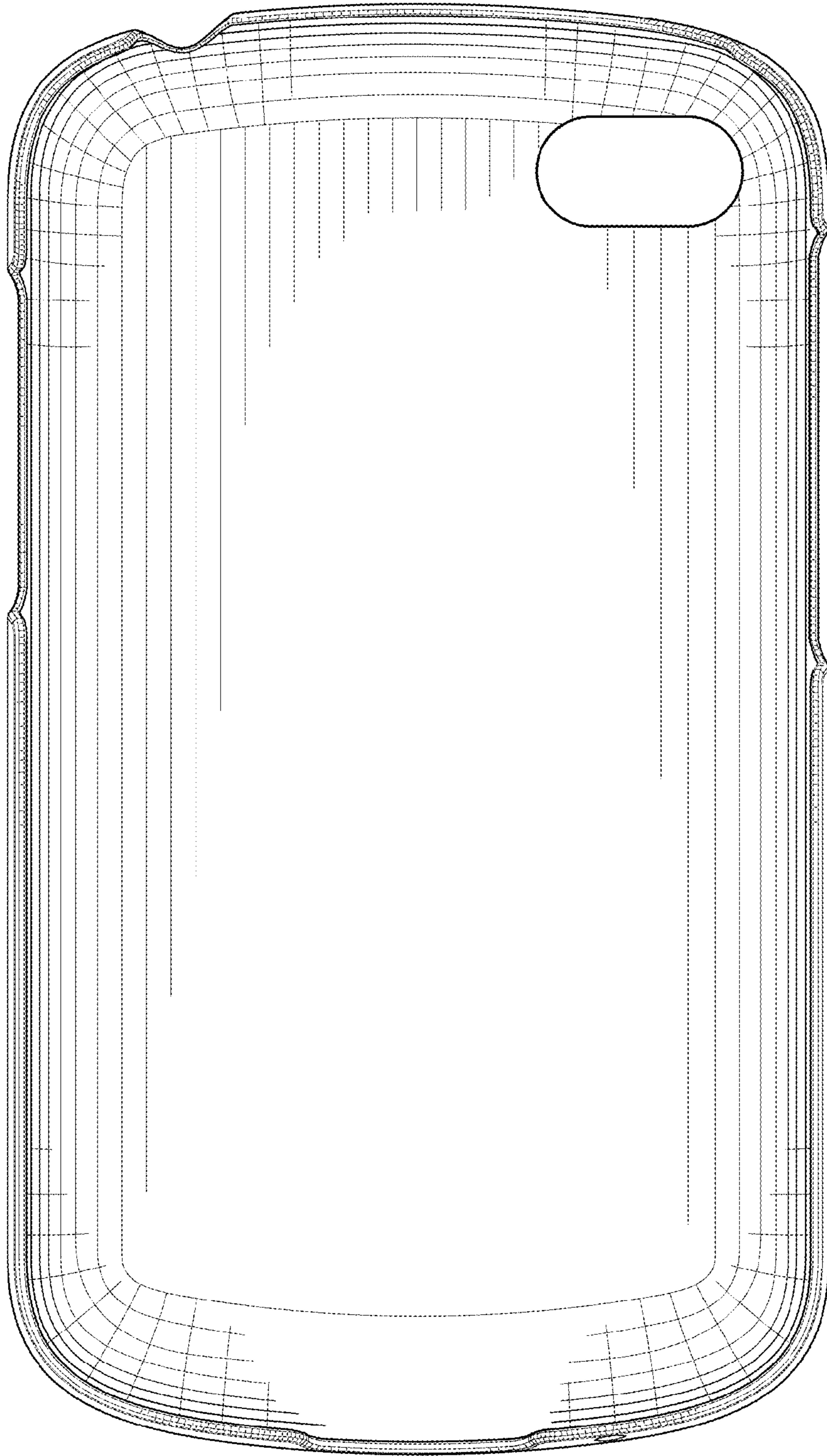


FIG.3

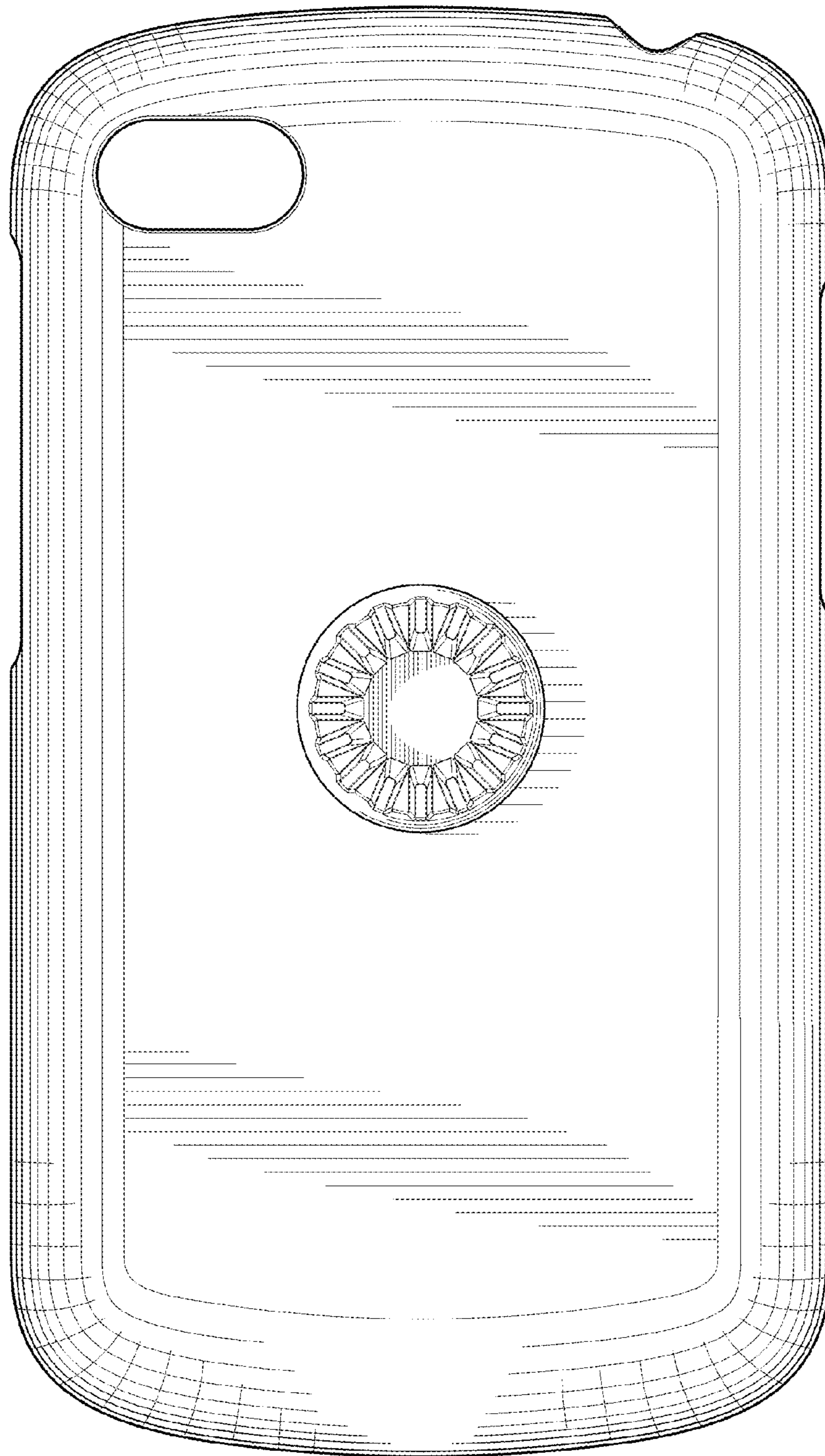


FIG. 4

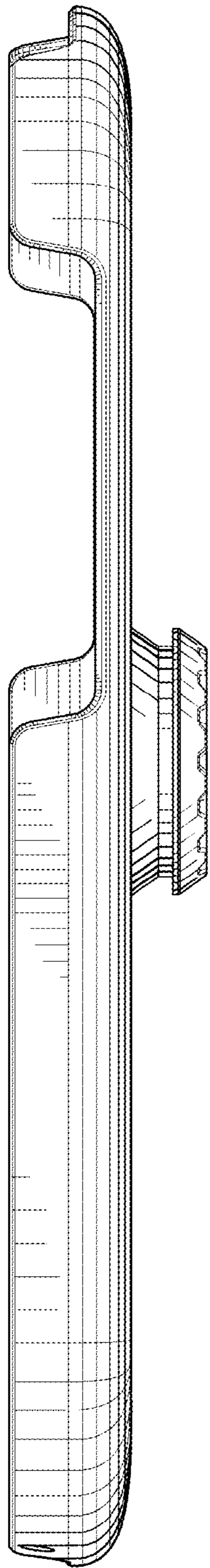


FIG. 5

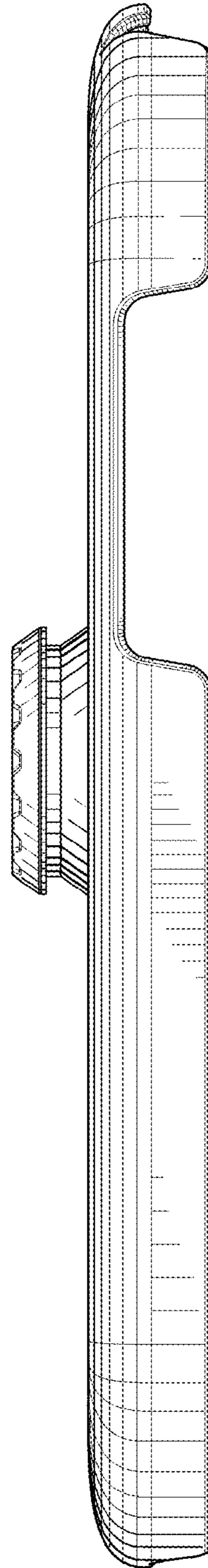


FIG. 6

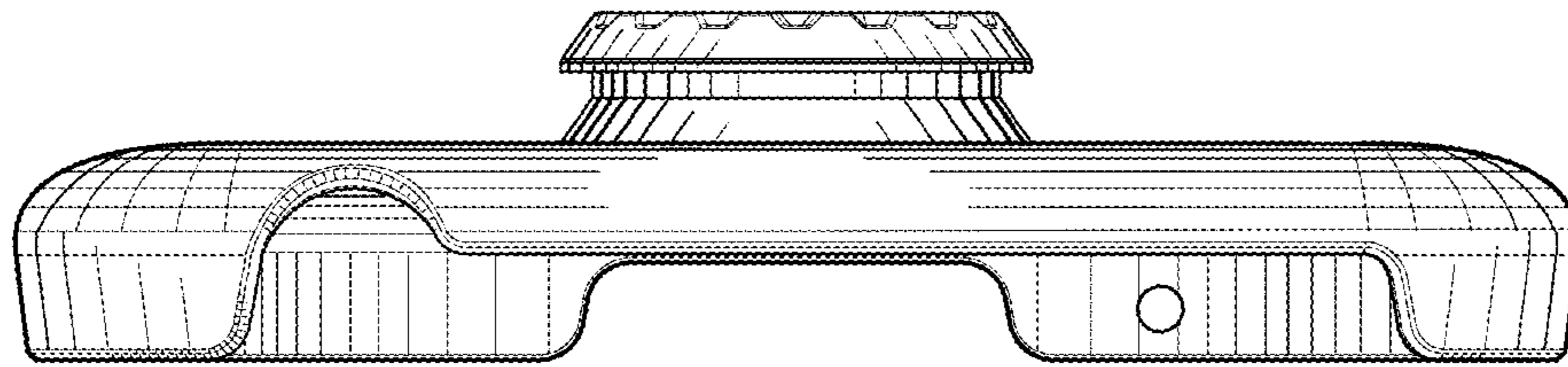


FIG. 7

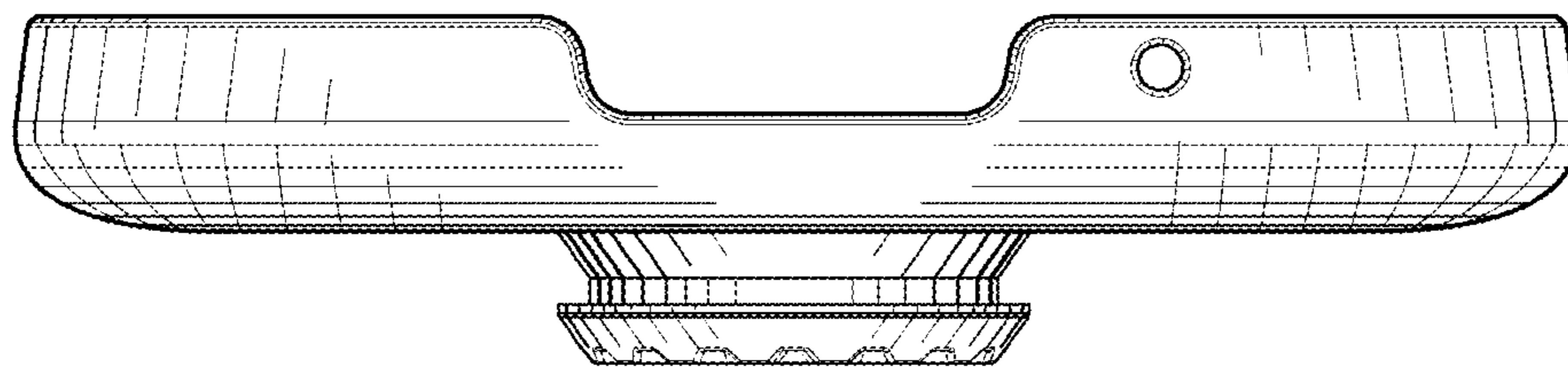


FIG. 8