



US00D685353S

(12) **United States Design Patent**  
**Wilkinson**

(10) **Patent No.:** **US D685,353 S**  
(45) **Date of Patent:** **\*\* Jul. 2, 2013**

(54) **TELEVISION STAND**

(76) Inventor: **Theodore Wilkinson**, Bridgeport, WV  
(US)

(\*\*) Term: **14 Years**

(21) Appl. No.: **29/431,254**

(22) Filed: **Sep. 5, 2012**

(51) **LOC (9) Cl.** ..... **14-03**

(52) **U.S. Cl.**  
USPC ..... **D14/239**

(58) **Field of Classification Search**  
USPC ..... D14/125-134, 239, 371, 136, 374-377;  
D8/363, 373, 349, 394; 248/465, 917-924,  
248/123.11; 348/825, 827, 836, 837, 838,  
348/180, 184, 325, 739; 600/443; D6/477-479,  
D6/407, 474, 460, 461, 468; 312/7.2; 341/12;  
345/87, 104, 133, 156, 168, 169, 173; 720/605,  
720/669, 600, 655; 369/99, 197; 455/344-347;  
349/1, 2, 11, 62; 108/59, 91, 92, 96; 211/40,  
211/41.12, 42, 49.1, 50, 85.2, 90.04, 187,  
211/190, 119.003, 134.15, 3, 87.01, 71.01  
See application file for complete search history.

(56) **References Cited**

**U.S. PATENT DOCUMENTS**

D324,554 S \* 3/1992 McKinney ..... D21/699  
D332,881 S \* 2/1993 Blackburn et al. .... D6/450

D347,033 S \* 5/1994 Moretz ..... D21/699  
D500,105 S \* 12/2004 Szaroletta et al. .... D21/699  
D531,146 S \* 10/2006 Lin ..... D14/126  
D531,685 S \* 11/2006 Frankel ..... D21/699  
D576,685 S \* 9/2008 Queally ..... D21/302  
D583,807 S \* 12/2008 O'Con ..... D14/239  
D599,755 S \* 9/2009 Jin et al. .... D14/126  
D619,569 S \* 7/2010 Honchell ..... D14/239

\* cited by examiner

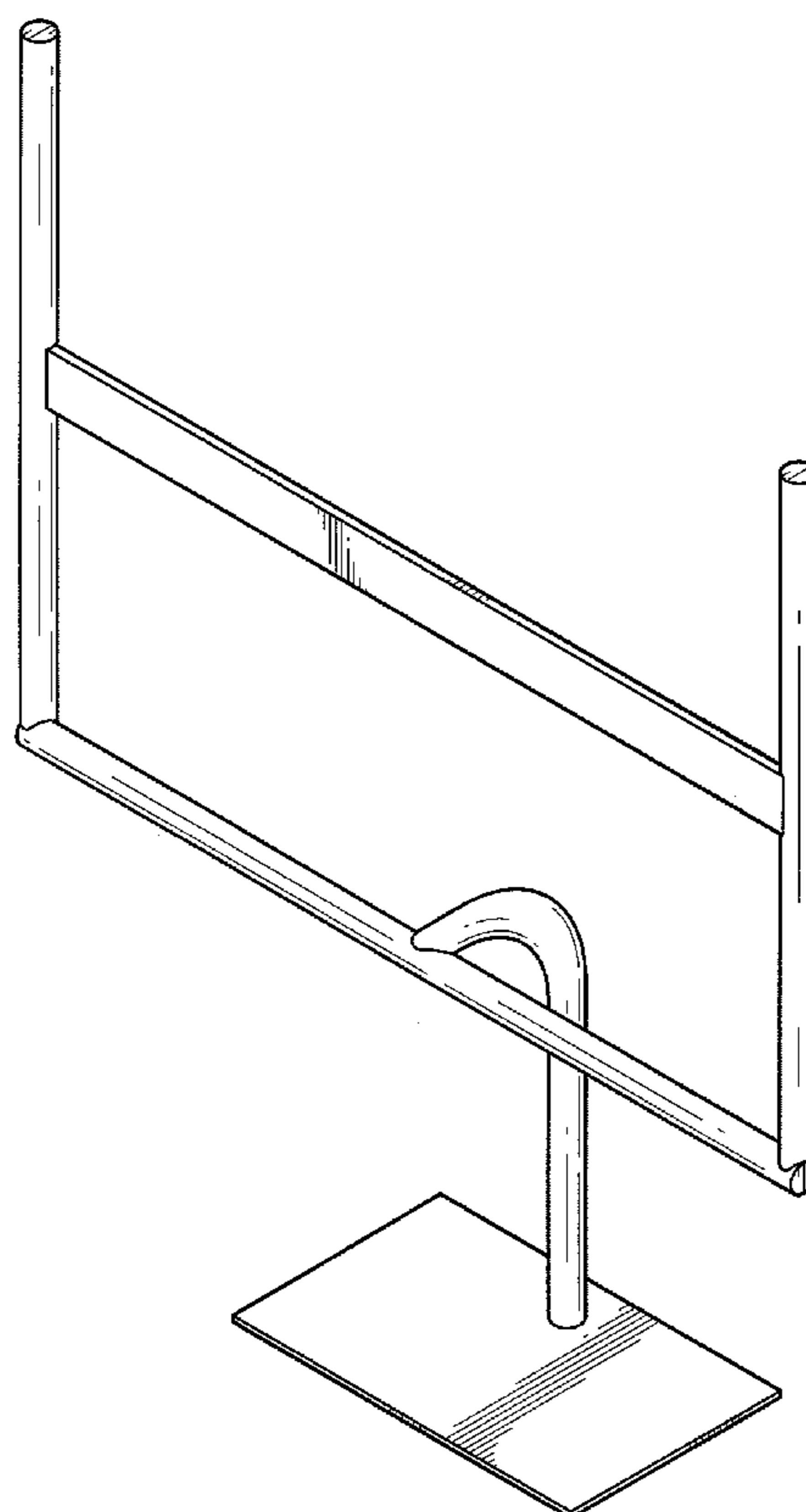
*Primary Examiner* — Raphael Barkai  
*Assistant Examiner* — Randall Gholson  
(74) *Attorney, Agent, or Firm* — Birch, Stewart, Kolasch &  
Birch, LLP

(57) **CLAIM**  
The ornamental design for a television stand, as shown and  
described.

**DESCRIPTION**

FIG. 1 is a perspective view of the front and right side of a  
television stand;  
FIG. 2 is a front elevation view thereof;  
FIG. 3 is a rear elevation view thereof;  
FIG. 4 is a right side elevation view thereof;  
FIG. 5 is a left side elevation view thereof;  
FIG. 6 is a top plan view thereof; and,  
FIG. 7 is a bottom plan view thereof.

**1 Claim, 5 Drawing Sheets**



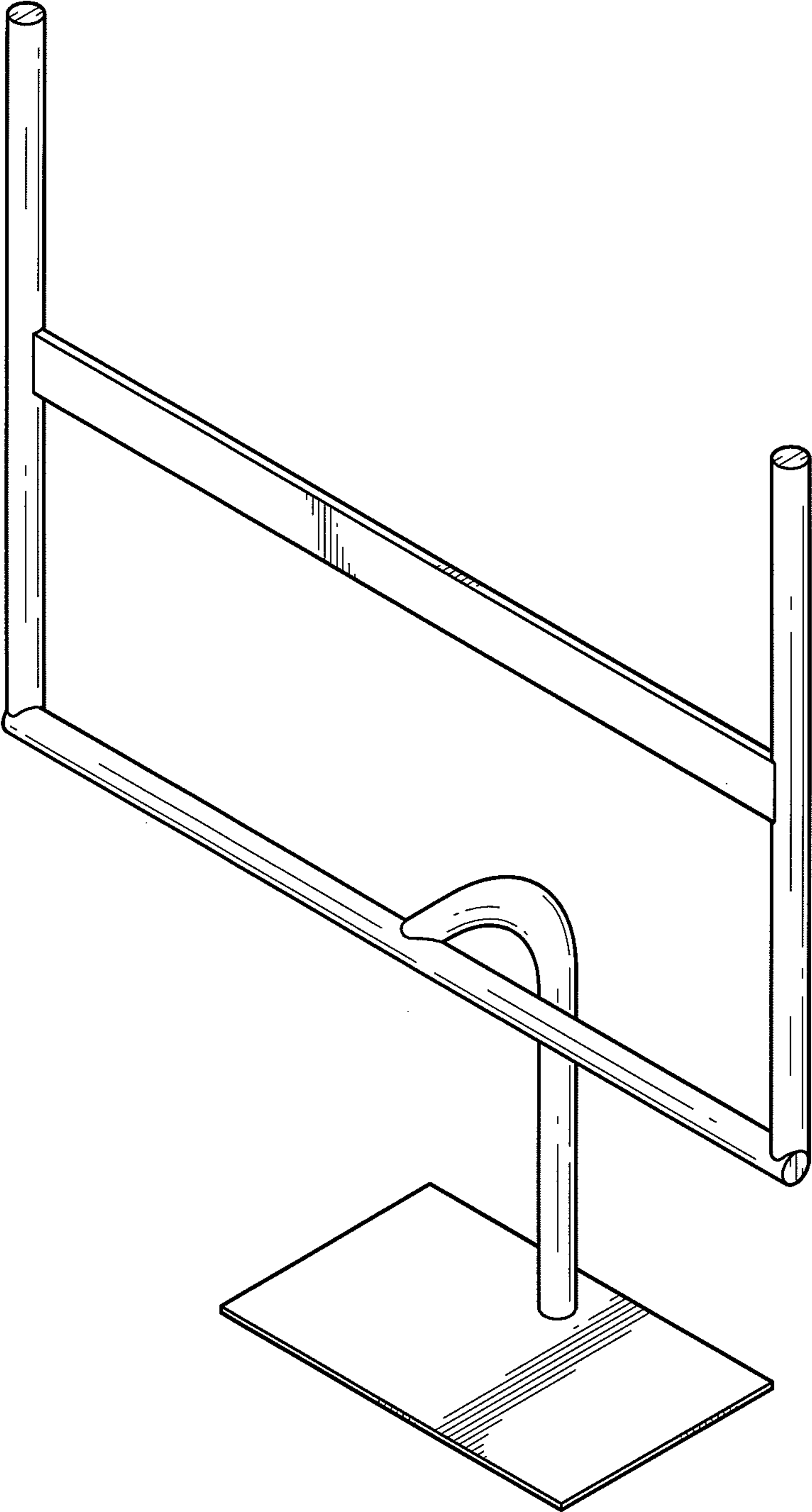


FIG.1

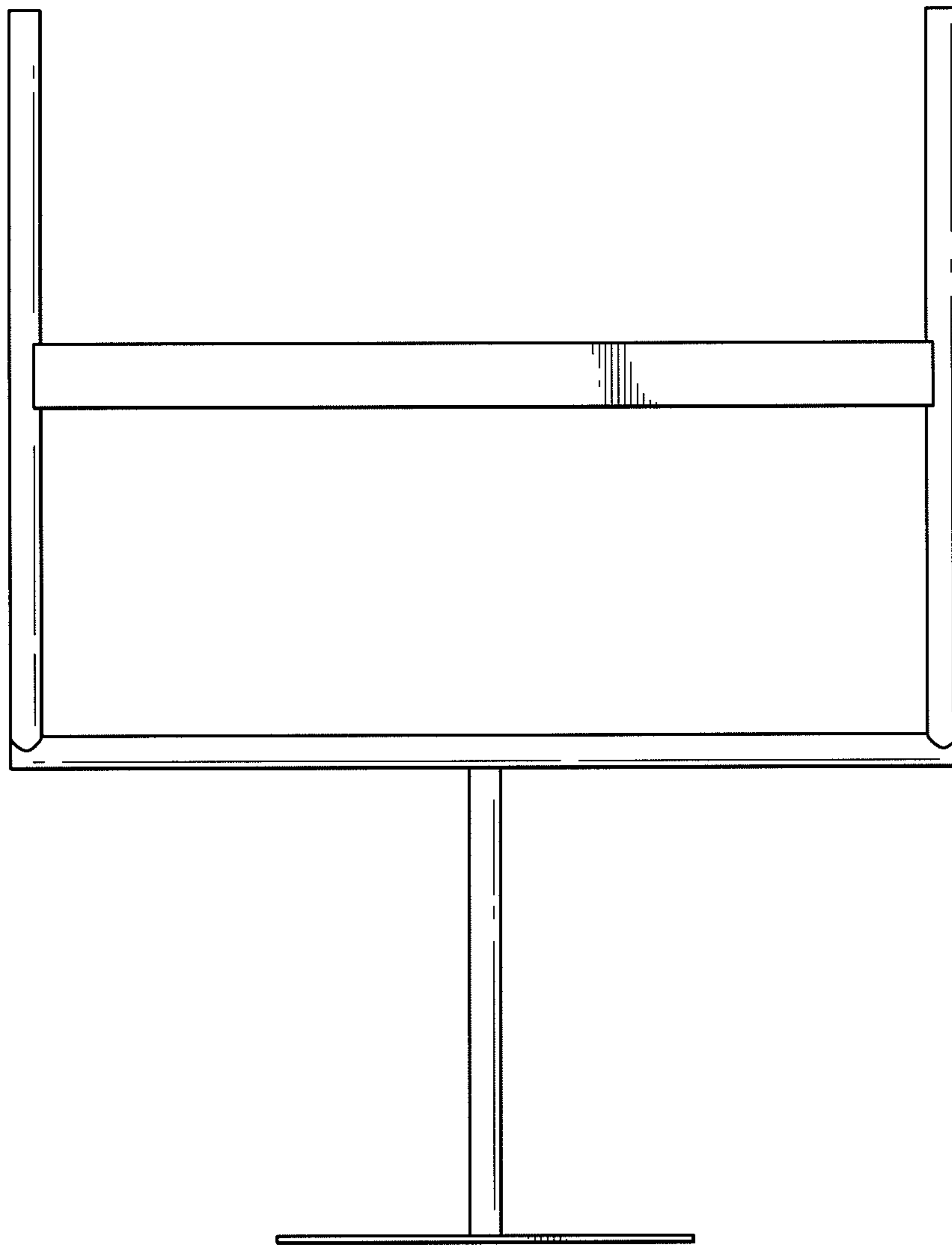


FIG.2

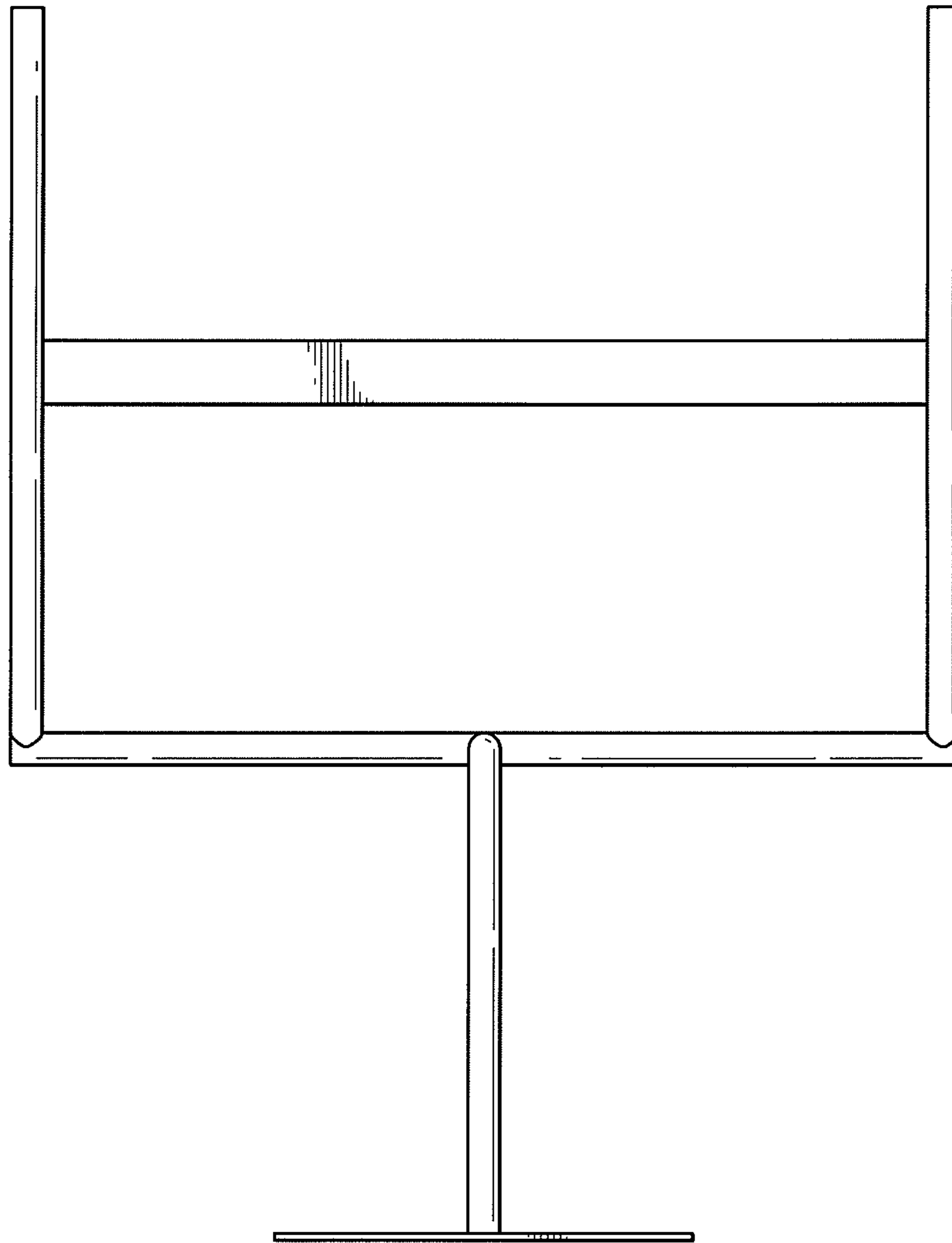


FIG.3

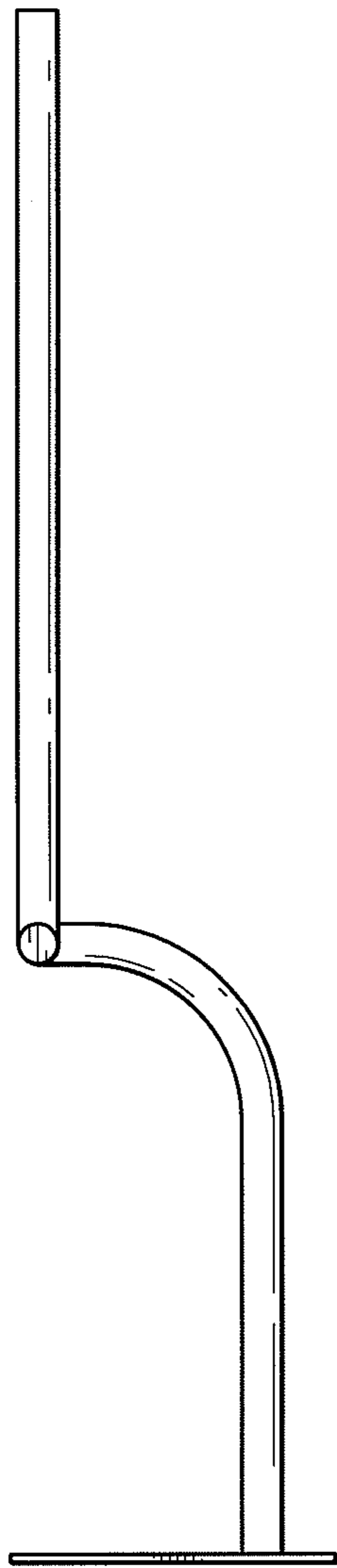


FIG. 4

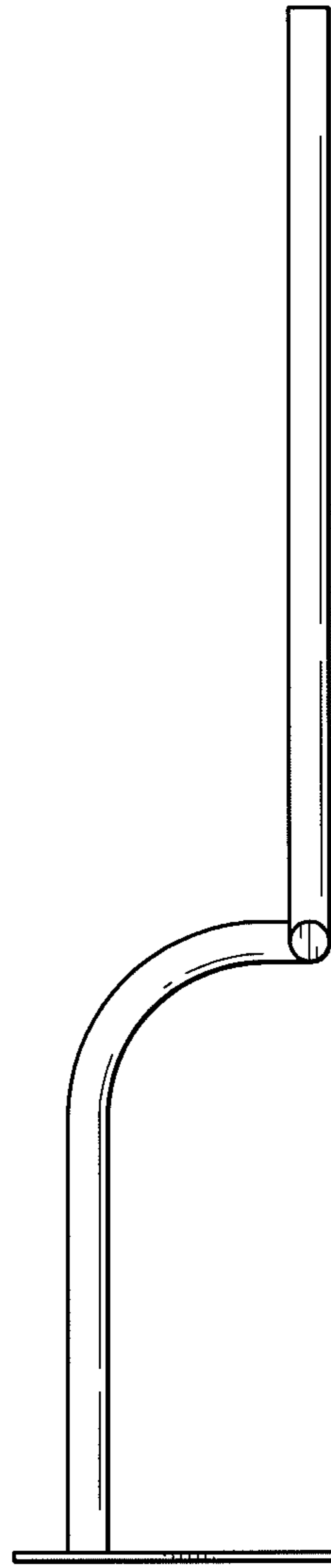


FIG. 5

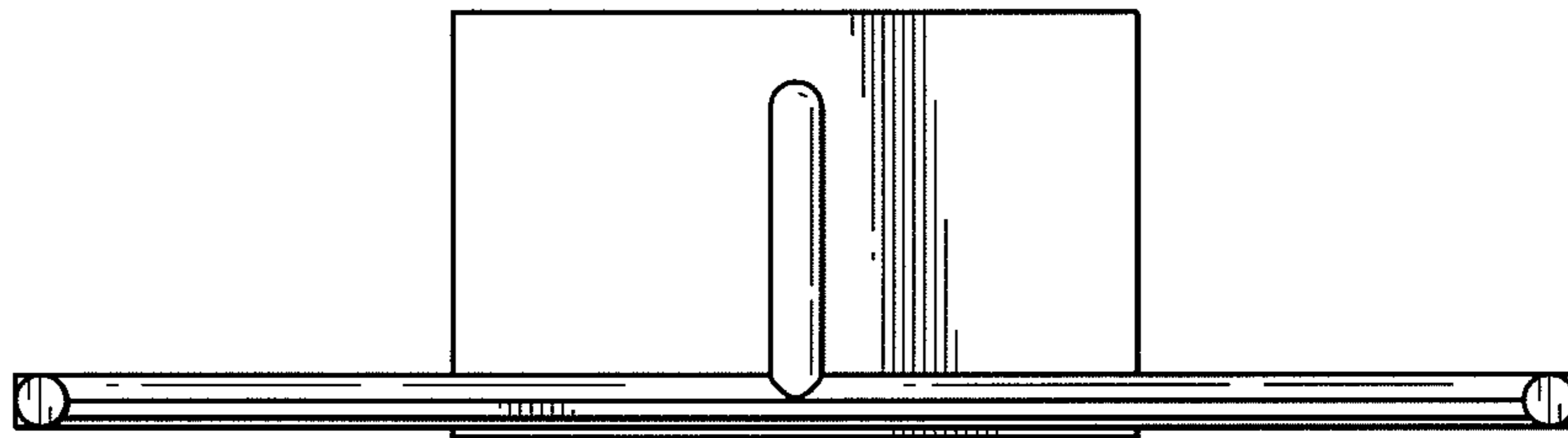


FIG. 6

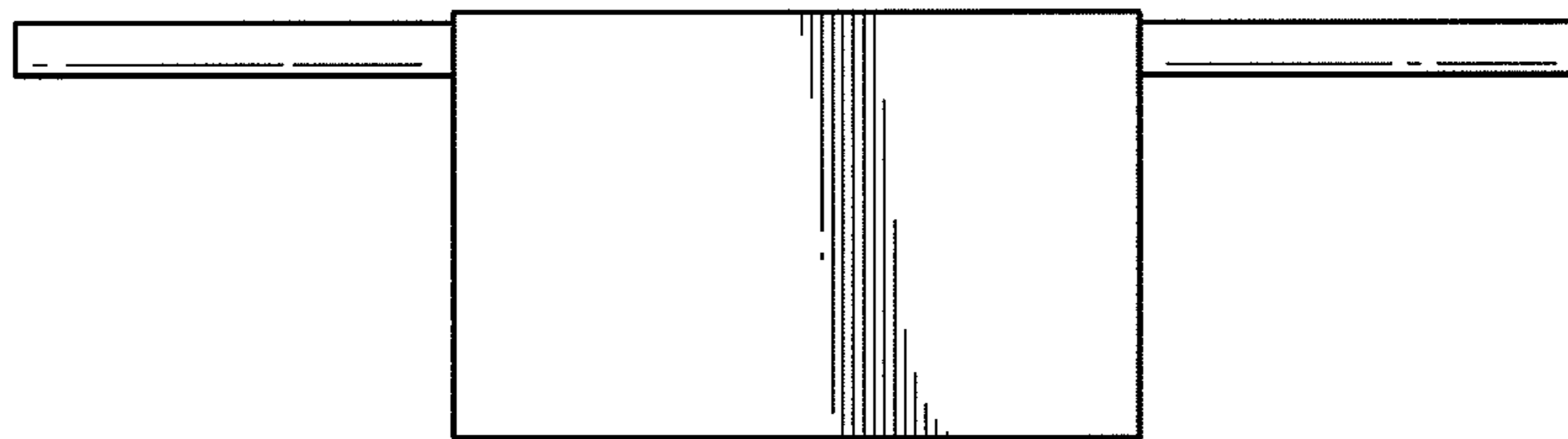


FIG. 7