



US00D685351S

(12) **United States Design Patent**
Morimoto

(10) **Patent No.:** **US D685,351 S**

(45) **Date of Patent:** **** Jul. 2, 2013**

(54) **EARPHONE**

(75) Inventor: **So Morimoto**, Tokyo (JP)

(73) Assignee: **Sony Corporation**, Tokyo (JP)

(**) Term: **14 Years**

(21) Appl. No.: **29/421,615**

(22) Filed: **Aug. 23, 2012**

(30) **Foreign Application Priority Data**

Feb. 28, 2012 (CN) 2012 3 0040515
Jun. 27, 2012 (JP) D2012-015236

(51) **LOC (9) Cl.** **14-01**

(52) **U.S. Cl.**
USPC **D14/223**

(58) **Field of Classification Search**
USPC D14/205, 206, 223; 181/129, 130,
181/135; 379/430, 431; 381/380, 381, 322;
128/864, 865; D16/219, 235; 455/90.3, 575.2
See application file for complete search history.

(56) **References Cited**

U.S. PATENT DOCUMENTS

D377,796 S 2/1997 Hayashi
D564,495 S * 3/2008 Sasaki D14/205
D586,332 S * 2/2009 Ewert et al. D14/223
D587,247 S * 2/2009 Densho D14/223
D587,248 S * 2/2009 Densho D14/223
D587,249 S 2/2009 Densho

D627,766 S * 11/2010 Arimoto D14/223
D629,793 S * 12/2010 Goransson D14/223
D635,558 S * 4/2011 Zheng D14/223
D648,328 S 11/2011 Morimoto
D656,489 S 3/2012 Kumagai et al.
D662,086 S 6/2012 Komiyama
D668,631 S * 10/2012 Katsumata et al. D14/205
D670,274 S * 11/2012 Katsumata et al. D14/223
8,331,594 B2 * 12/2012 Brimhall et al. 381/322

* cited by examiner

Primary Examiner — Paula Greene

(74) *Attorney, Agent, or Firm* — Rader, Fishman & Grauer
PLLC

(57) **CLAIM**

The ornamental design for an earphone, as shown and described.

DESCRIPTION

FIG. 1 is a rear, top, right perspective view thereof;
FIG. 2 is a front, top, right perspective view thereof;
FIG. 3 is a rear, top, left perspective view thereof;
FIG. 4 is a front, top, left perspective view thereof;
FIG. 5 is a front elevational view thereof;
FIG. 6 is a rear elevational view thereof;
FIG. 7 is a left side elevational view thereof;
FIG. 8 is a right side elevational view thereof;
FIG. 9 is a top plan view thereof; and,
FIG. 10 is a bottom plan view thereof.
Portions in broken lines are for illustrative purpose only and form no part of the claimed design.

1 Claim, 10 Drawing Sheets

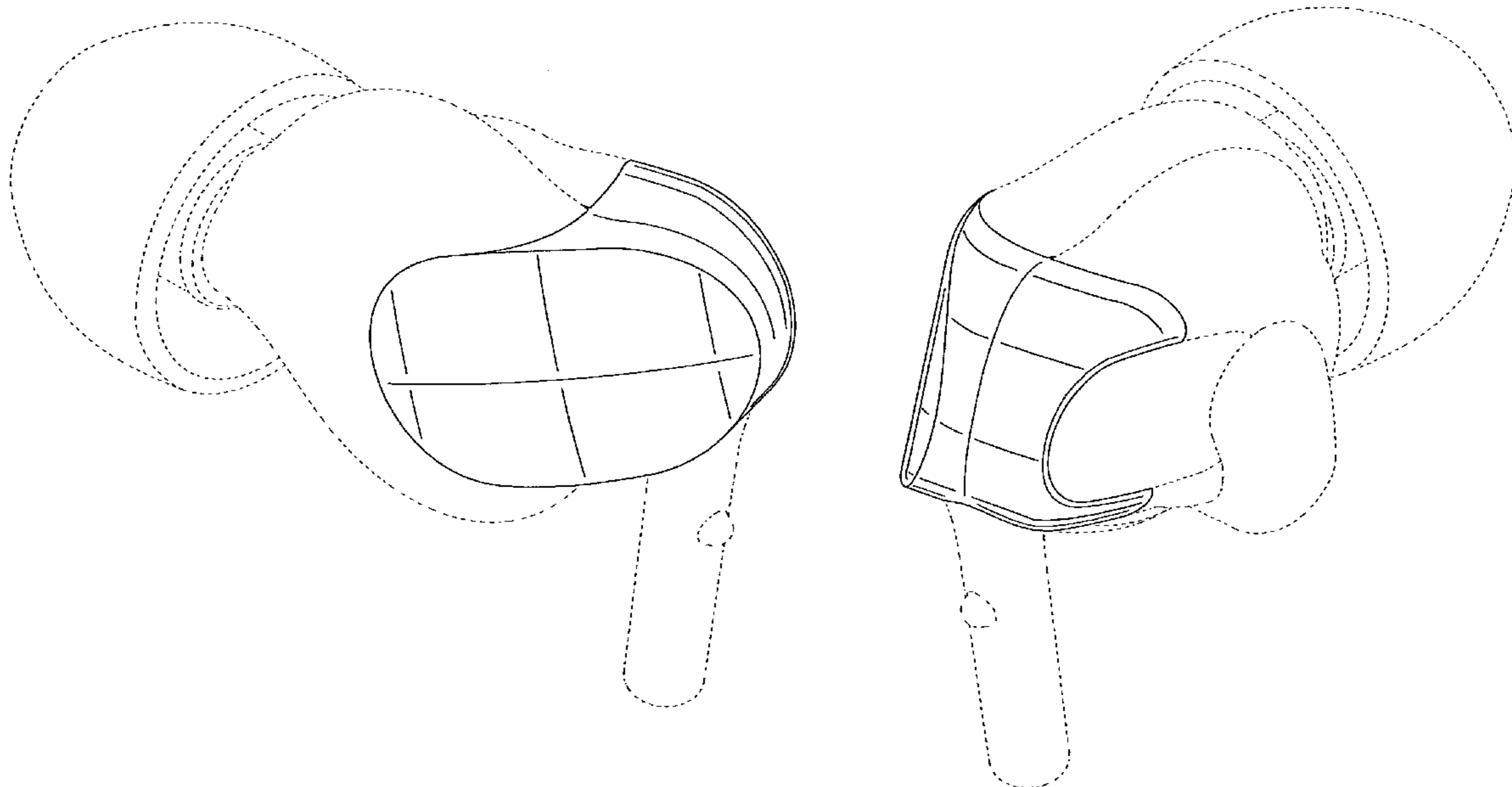


FIG.1

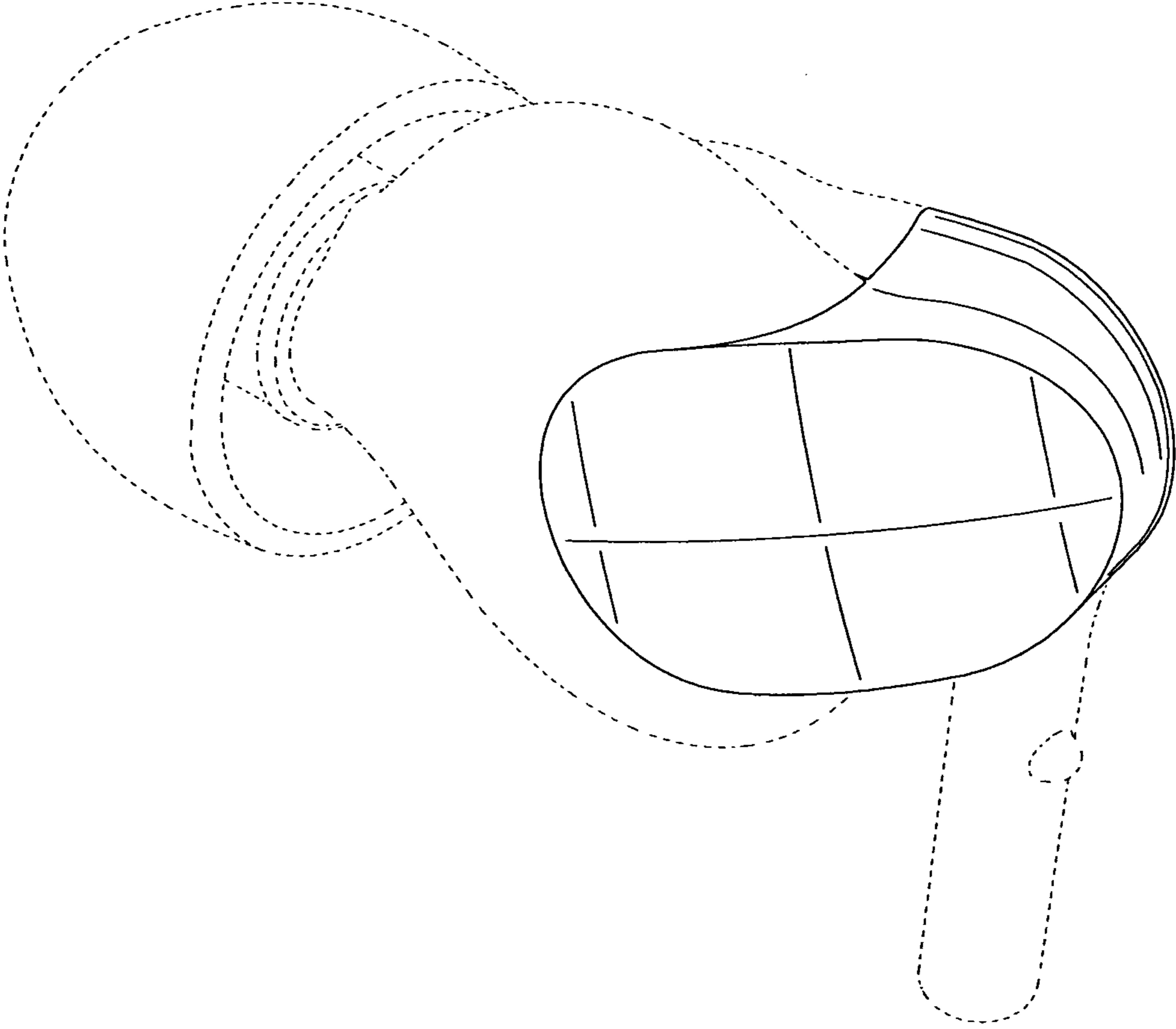


FIG.2

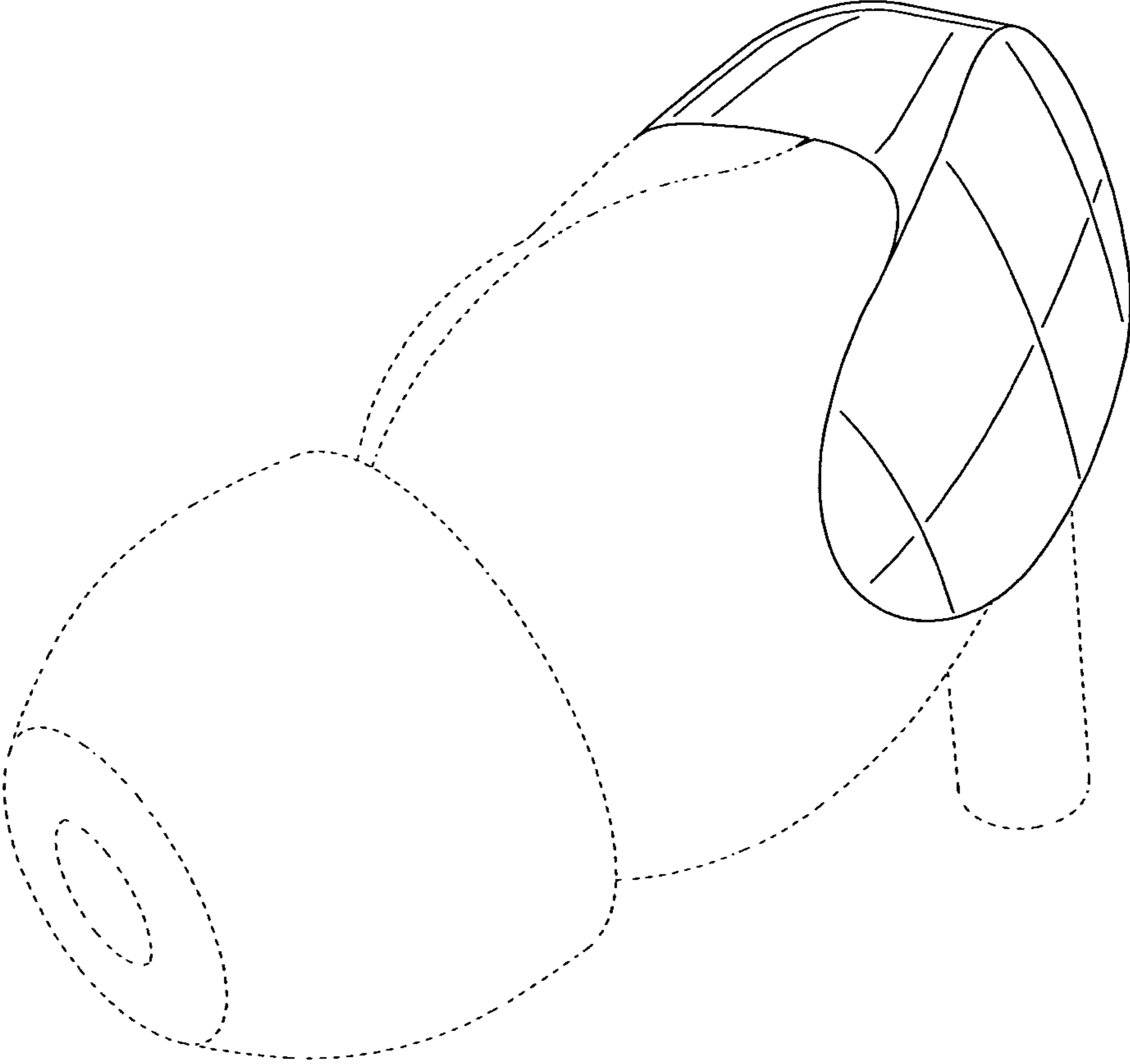


FIG.3

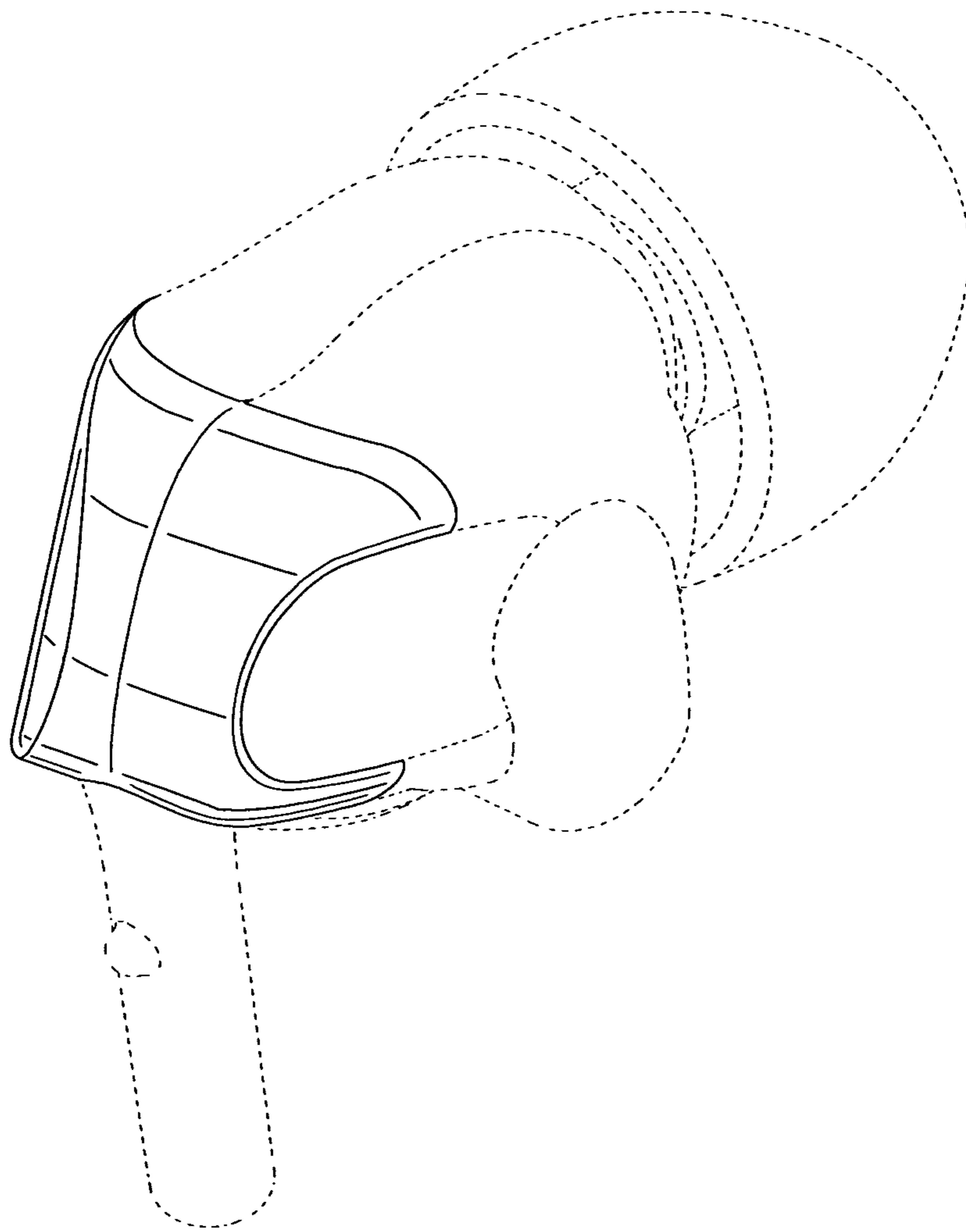


FIG.4

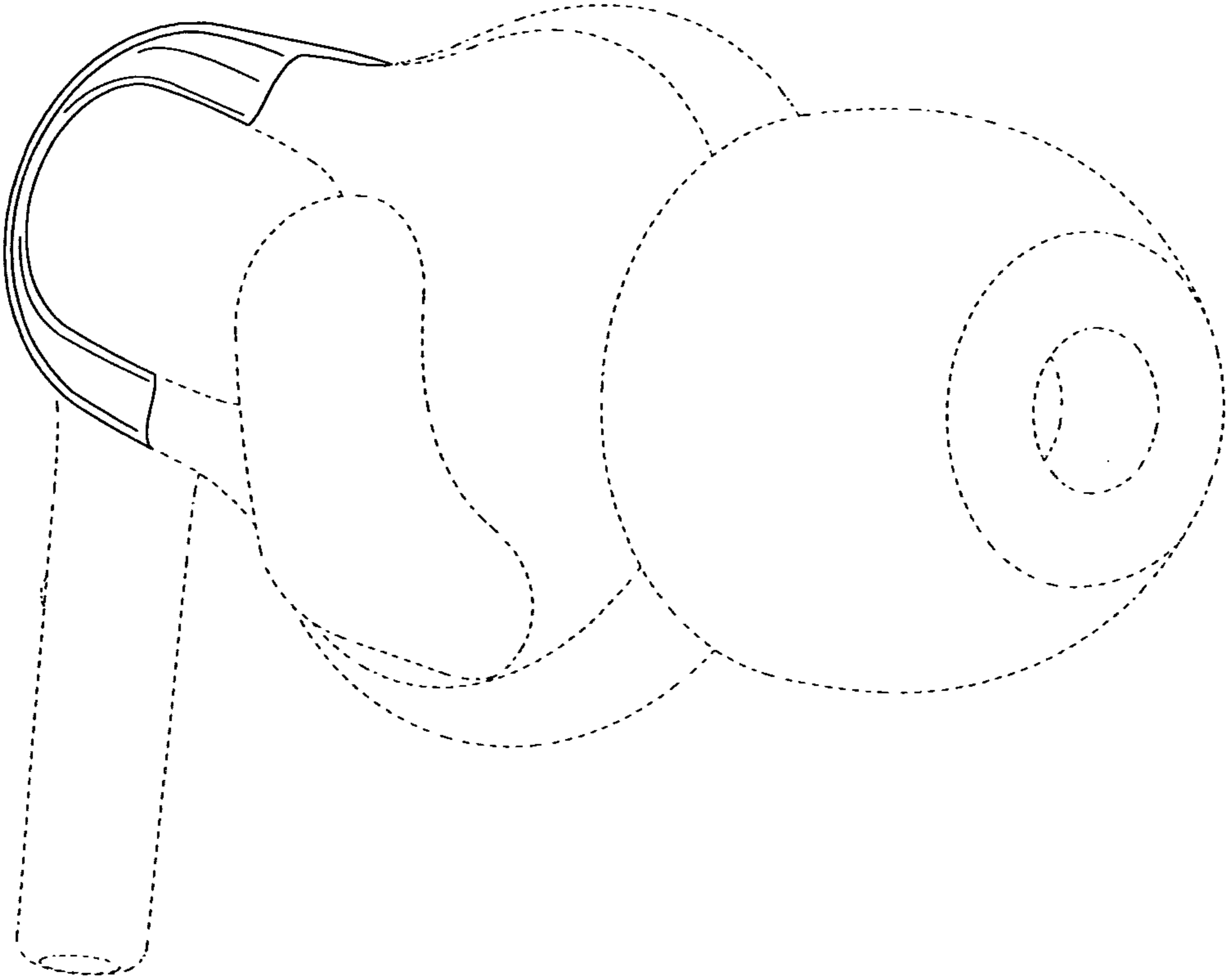


FIG.5

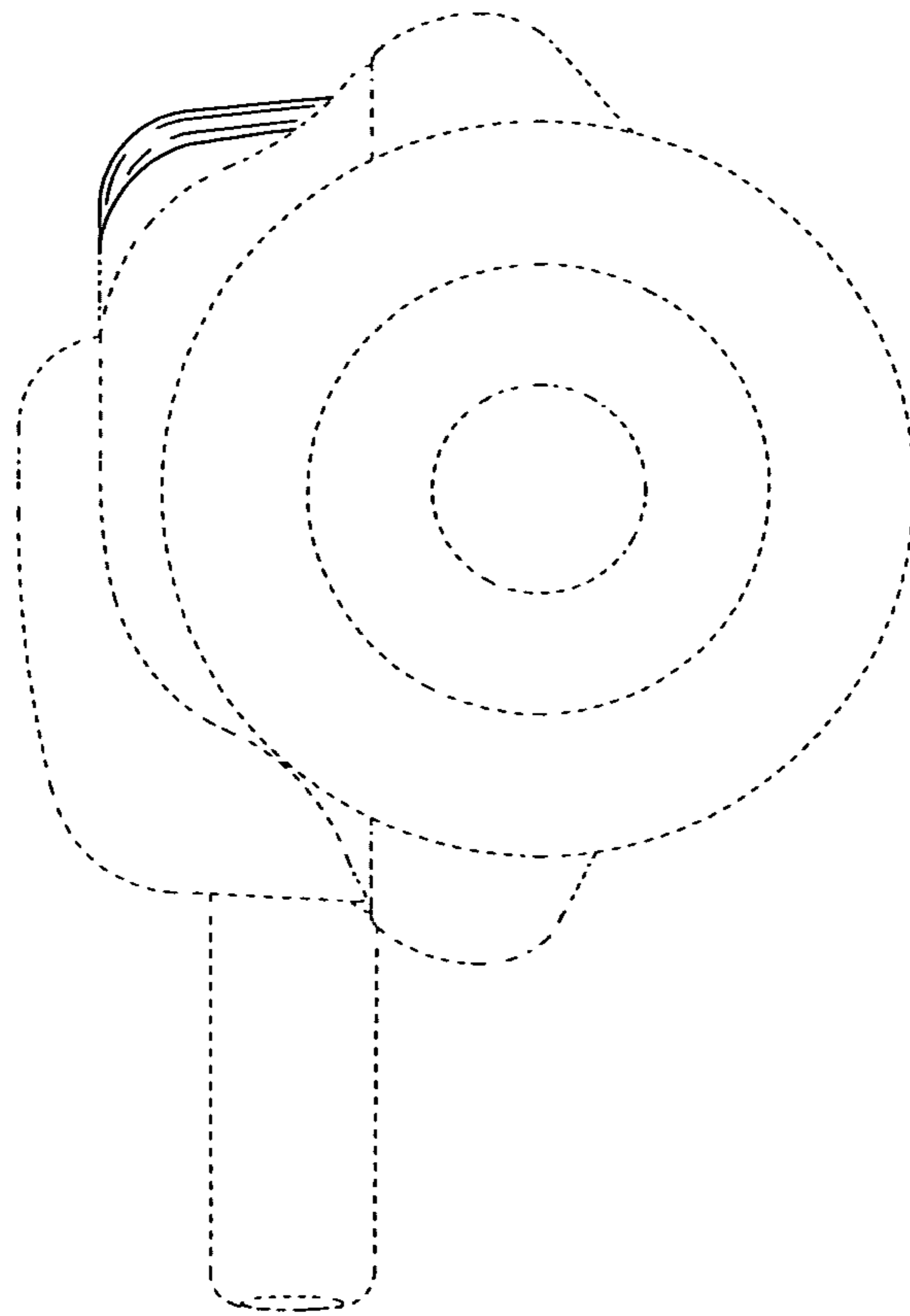


FIG.6

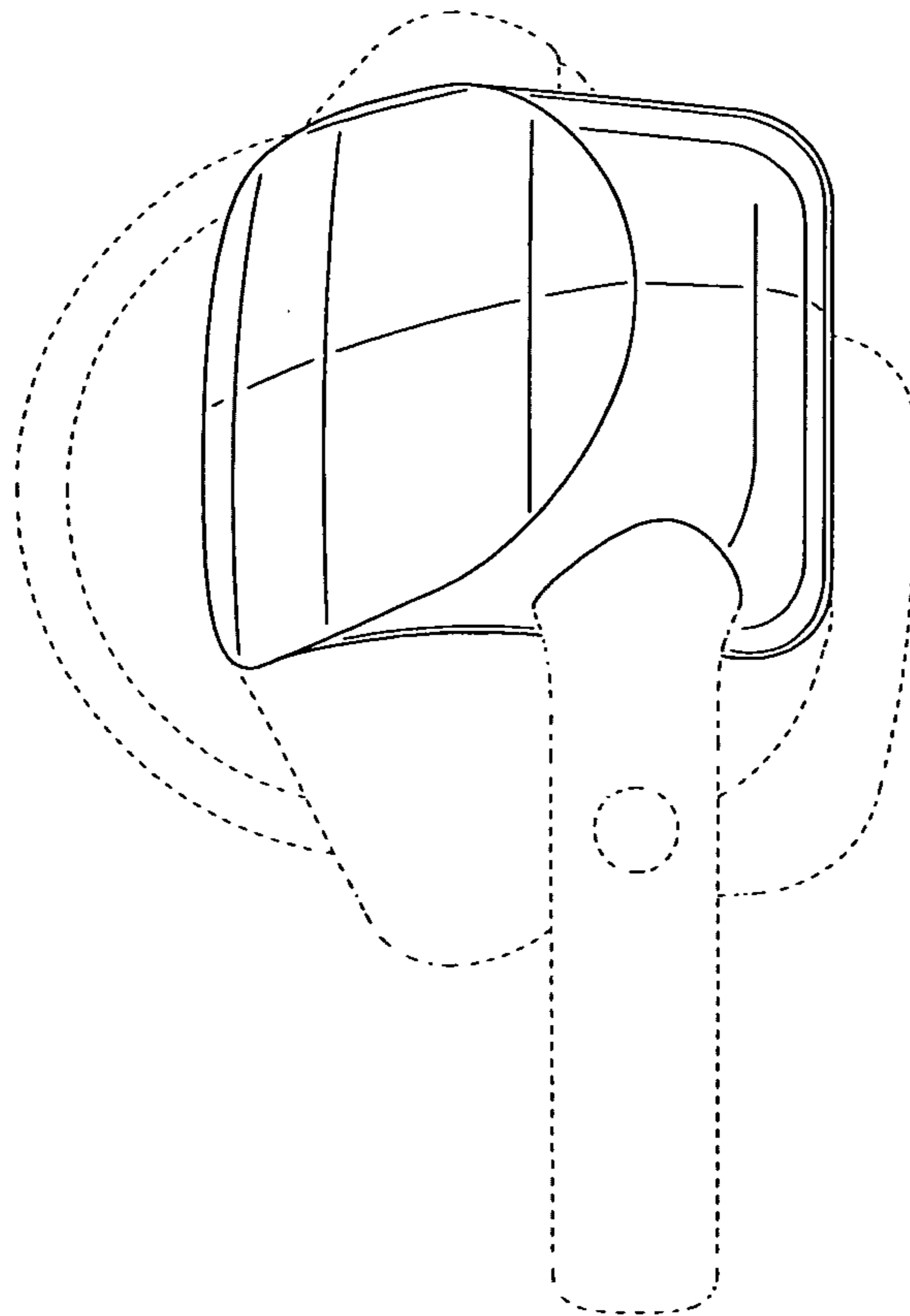


FIG.7

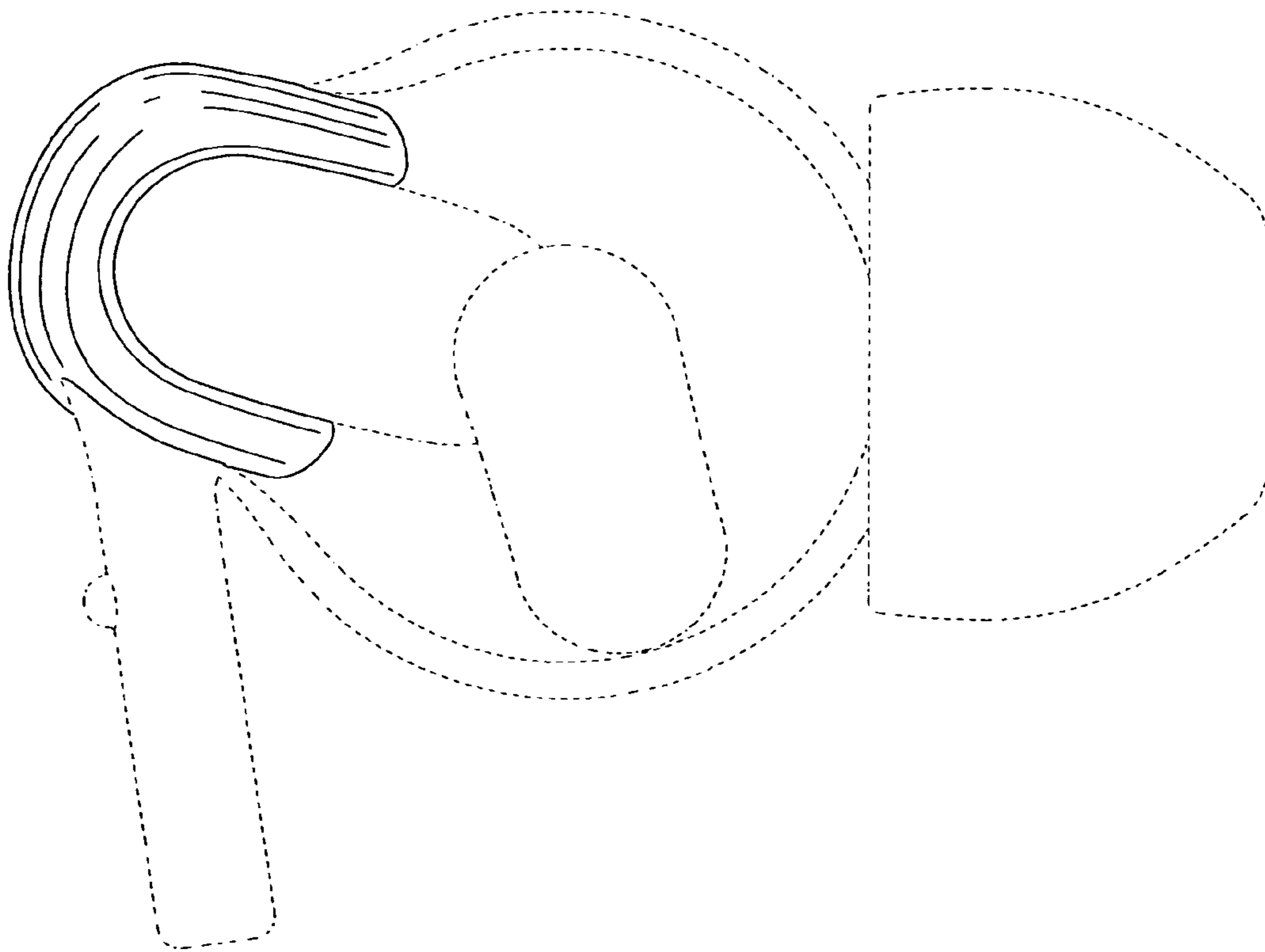


FIG.8

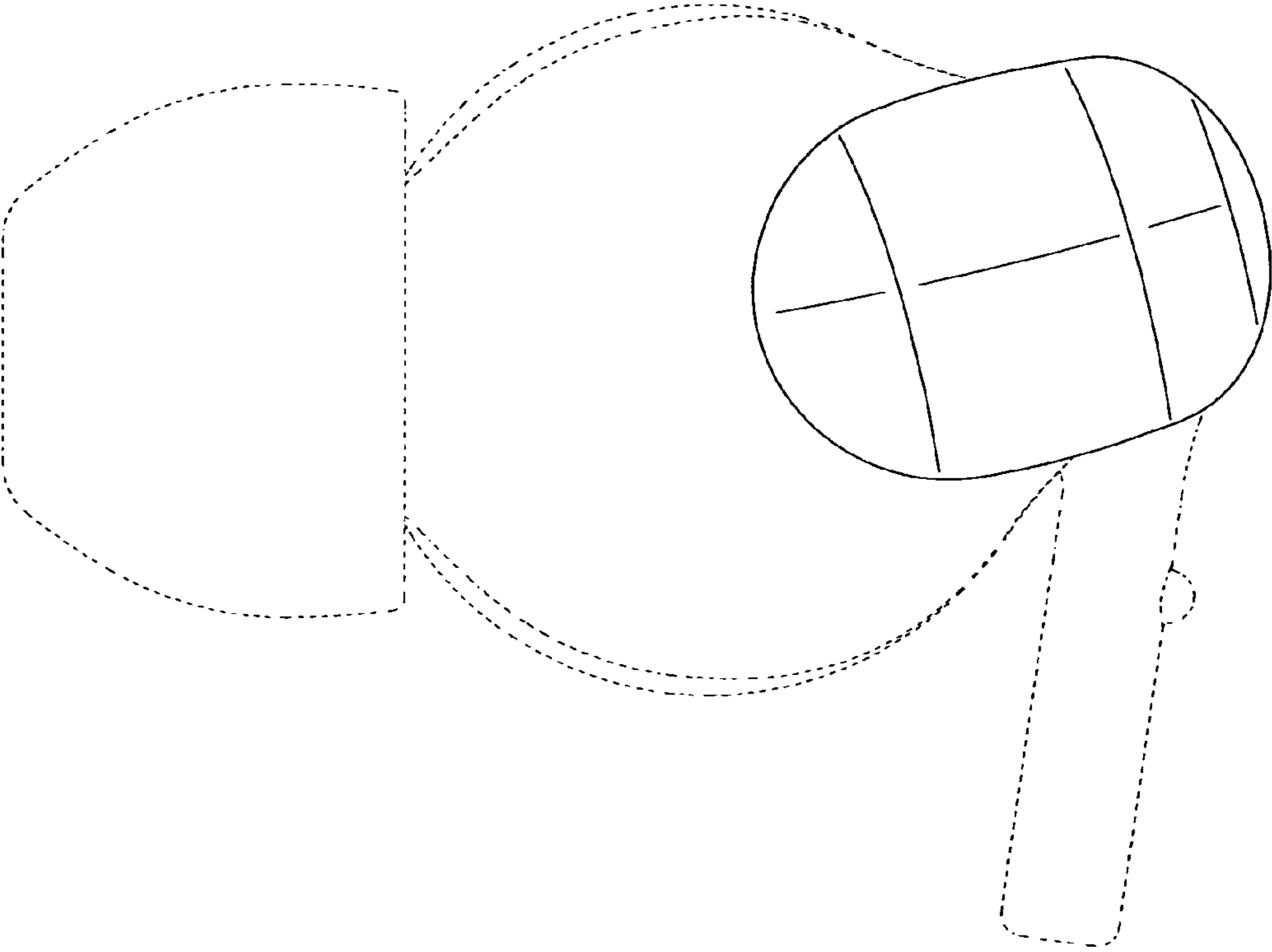


FIG.9

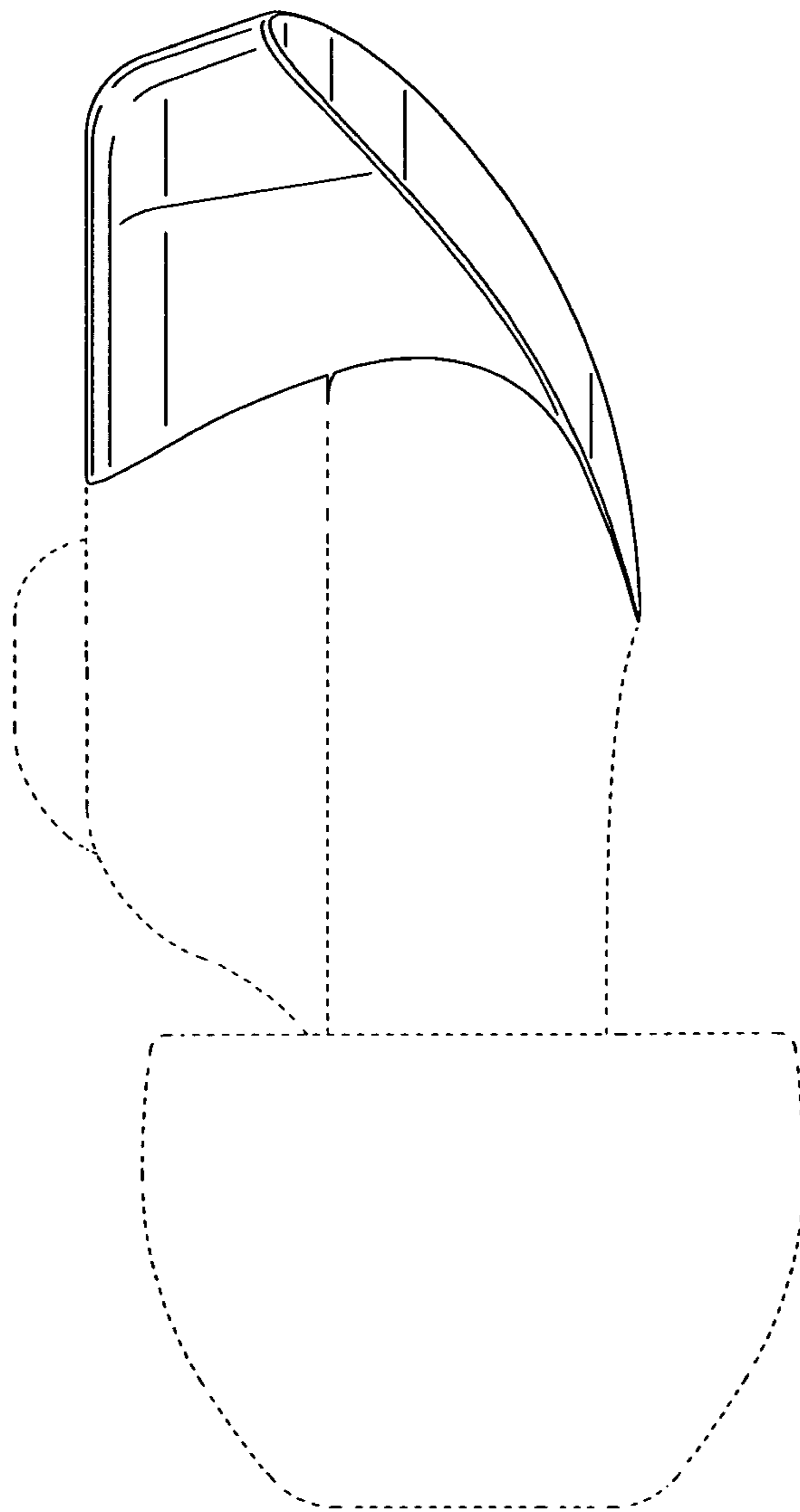


FIG.10

