

US00D685350S

(12) **United States Design Patent**
Mogili

(10) **Patent No.:** **US D685,350 S**
(45) **Date of Patent:** **** Jul. 2, 2013**

(54) **EARPHONE**

(75) Inventor: **Rajender Mogili**, Alexandra Technopark (SG)

(73) Assignee: **Sennheiser electronic GmbH & Co. KG**, Wedemark (DE)

(**) Term: **14 Years**

(21) Appl. No.: **29/417,512**

(22) Filed: **Apr. 4, 2012**

(30) **Foreign Application Priority Data**

Oct. 4, 2011 (EM) 001 296 206-0001-0009

(51) **LOC (9) Cl.** **14-01**

(52) **U.S. Cl.**
USPC **D14/223**

(58) **Field of Classification Search**
USPC D14/205, 206, 223; 181/129, 130,
181/135; 379/430, 431; 381/380, 381; 455/90.3,
455/575.1

See application file for complete search history.

(56) **References Cited**

U.S. PATENT DOCUMENTS

D340,932 S *	11/1993	Yan	D14/249
D357,921 S *	5/1995	Ming-Chin	D14/223
D371,368 S *	7/1996	Hayashi	D14/223
D382,874 S *	8/1997	Peschke et al.	D14/142
D463,397 S *	9/2002	Bergfeldt	D14/205
D479,834 S *	9/2003	Salazar et al.	D14/205
D485,548 S *	1/2004	Obata	D14/223
D517,054 S *	3/2006	Yang	D14/223
D538,784 S *	3/2007	Eklund	D14/205
D566,099 S *	4/2008	Komiyama	D14/206

7,362,876 B2 *	4/2008	Tsai	381/380
D578,517 S *	10/2008	Pausch	D14/223
D583,804 S *	12/2008	Mahler et al.	D14/223
D604,272 S *	11/2009	Kitayama	D14/223
D607,880 S *	1/2010	Chung et al.	D14/223
D657,780 S *	4/2012	Dahlberg	D14/223
D666,996 S *	9/2012	Hardi et al.	D14/223

* cited by examiner

Primary Examiner — Paula Greene

(74) *Attorney, Agent, or Firm* — Frommer Lawrence & Haug LLP

(57) **CLAIM**

The ornamental design for an earphone, as shown and described.

DESCRIPTION

FIG. 1 is a side view of the earphone in accordance with the invention.

FIG. 2 is another side view of the earphone in accordance with the invention.

FIG. 3 is a perspective top view of the earphone in accordance with the invention.

FIG. 4 is a top view of the earphone in accordance with the invention.

FIG. 5 is a bottom view of the earphone in accordance with the invention.

FIG. 6 is yet another side view of the earphone in accordance with the invention.

FIG. 7 is, again, another side view of the earphone in accordance with the invention; and,

FIG. 8 is a perspective view of the earphone in accordance with the invention.

1 Claim, 7 Drawing Sheets

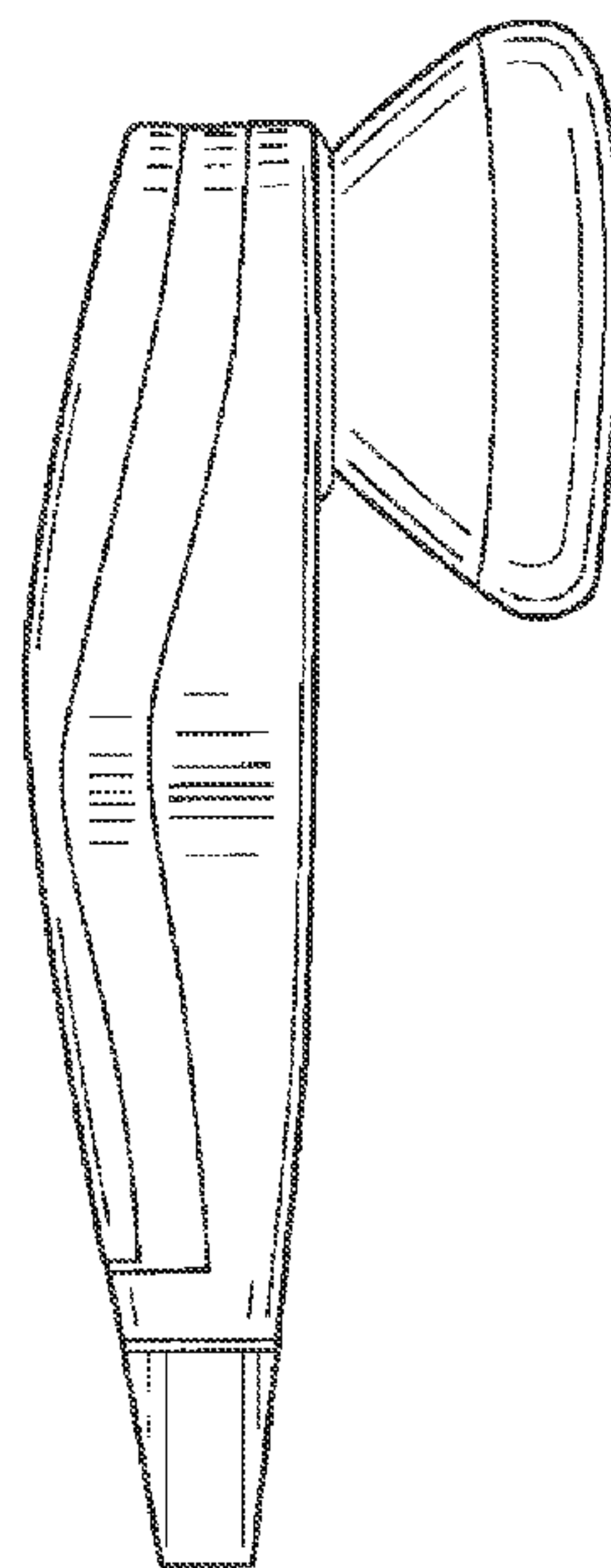
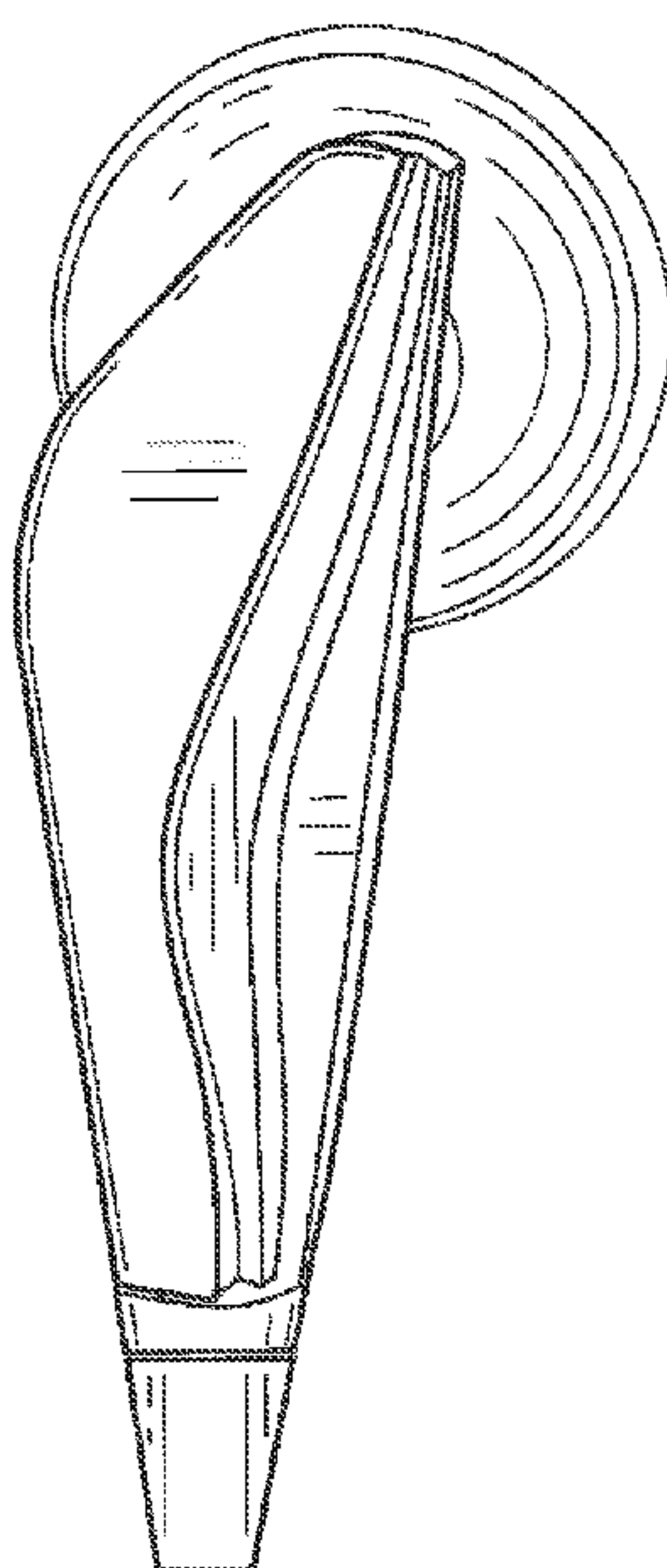


FIG. 1

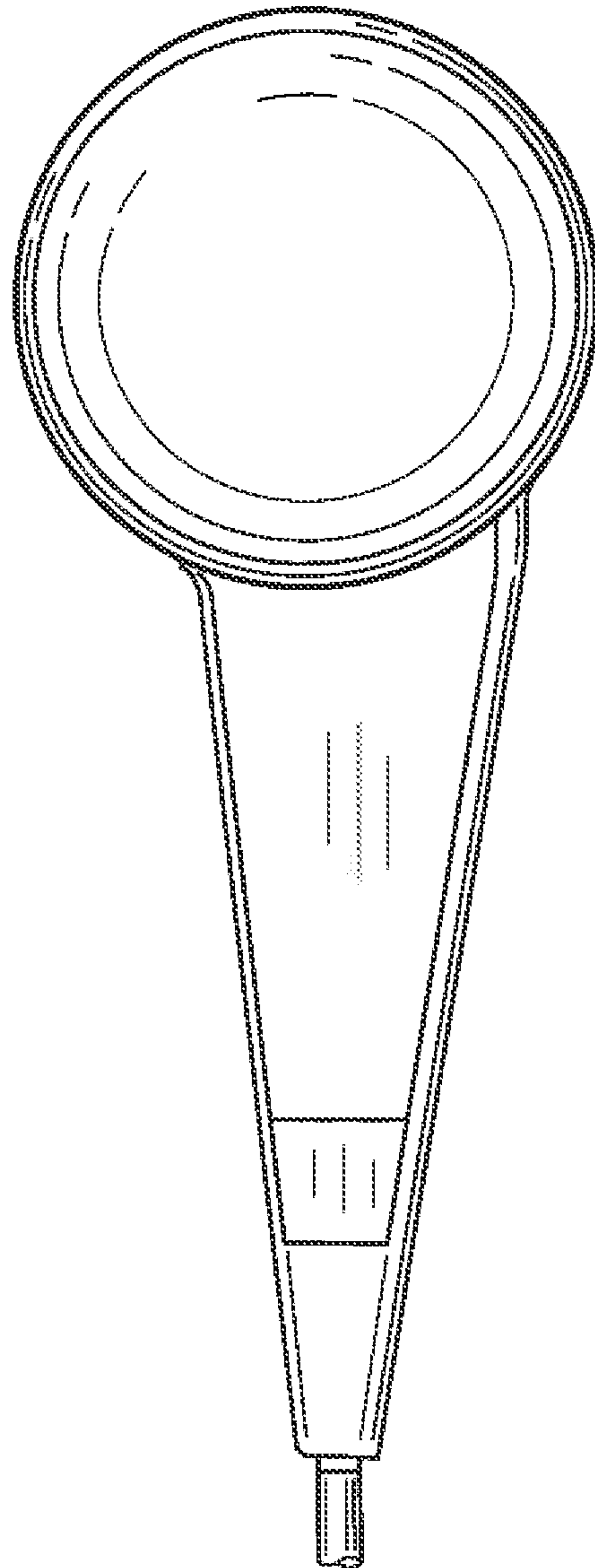


FIG. 2

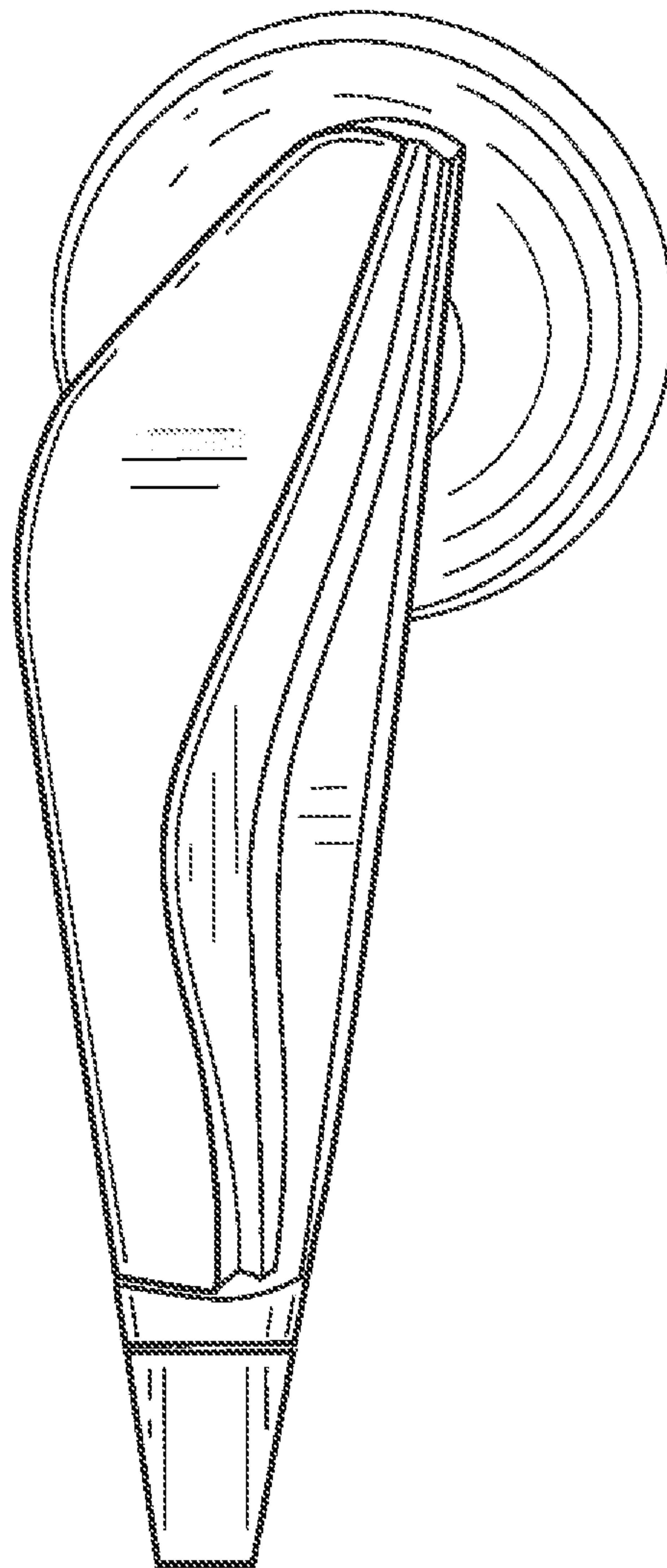


FIG. 3

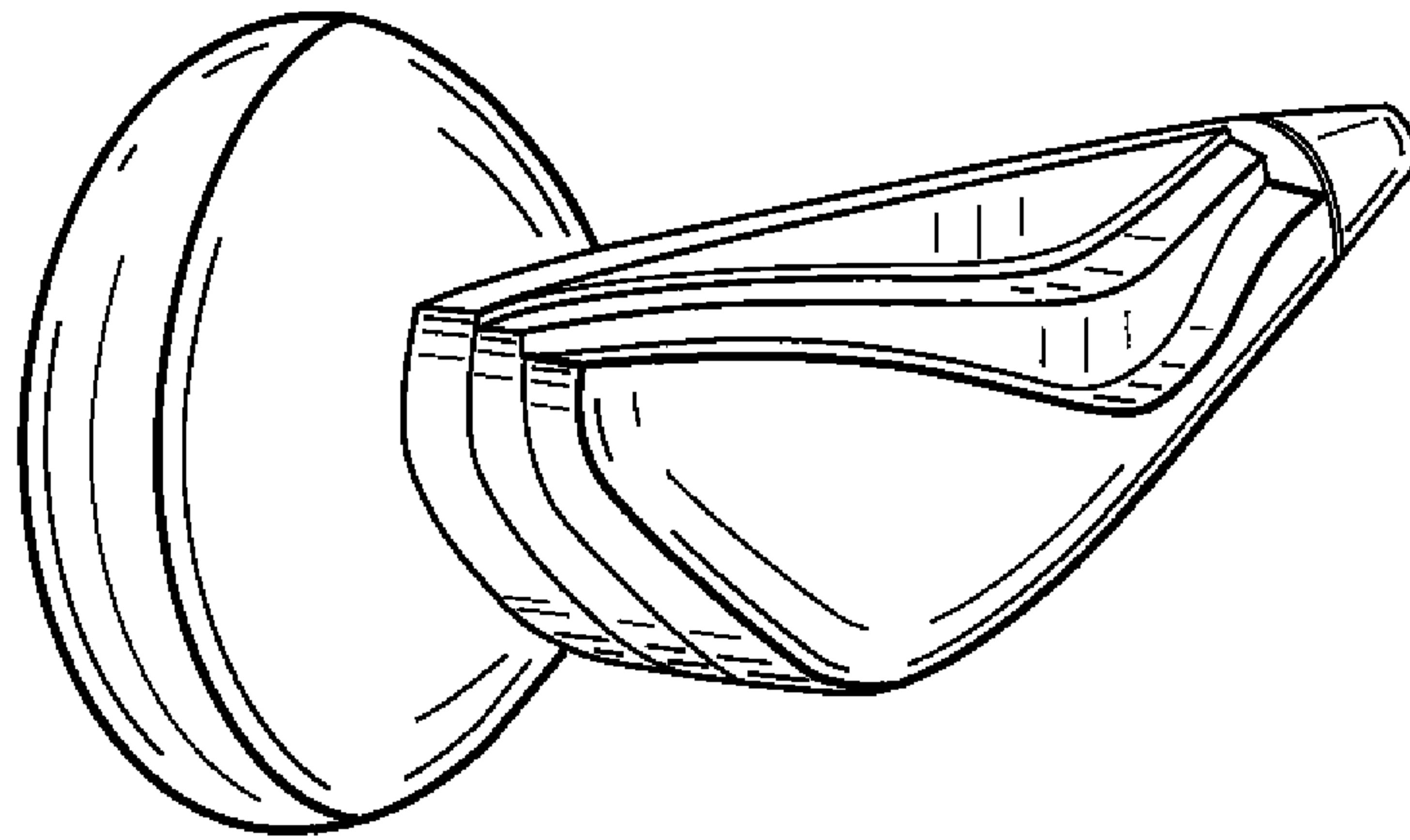


FIG. 4

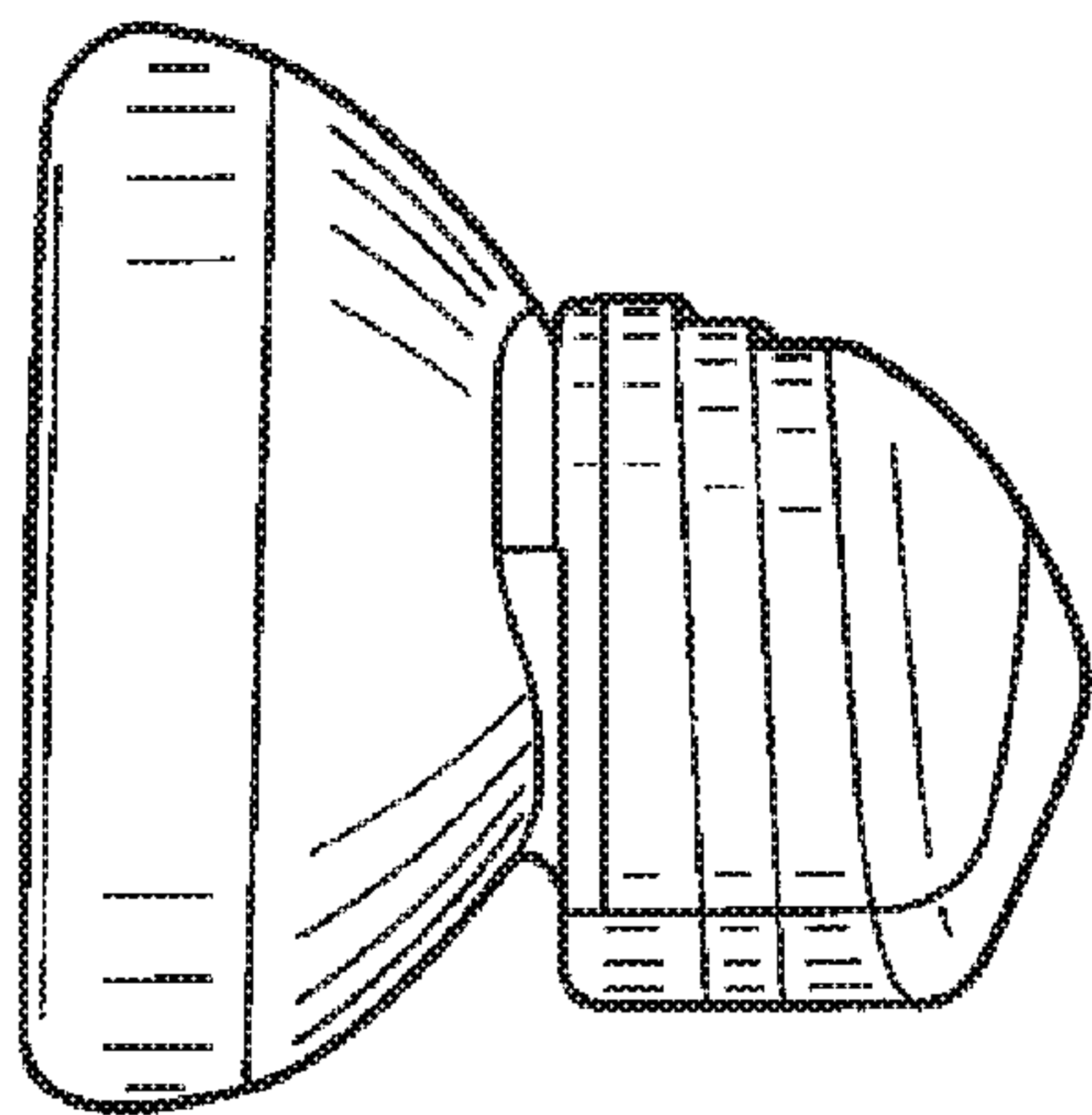


FIG. 5

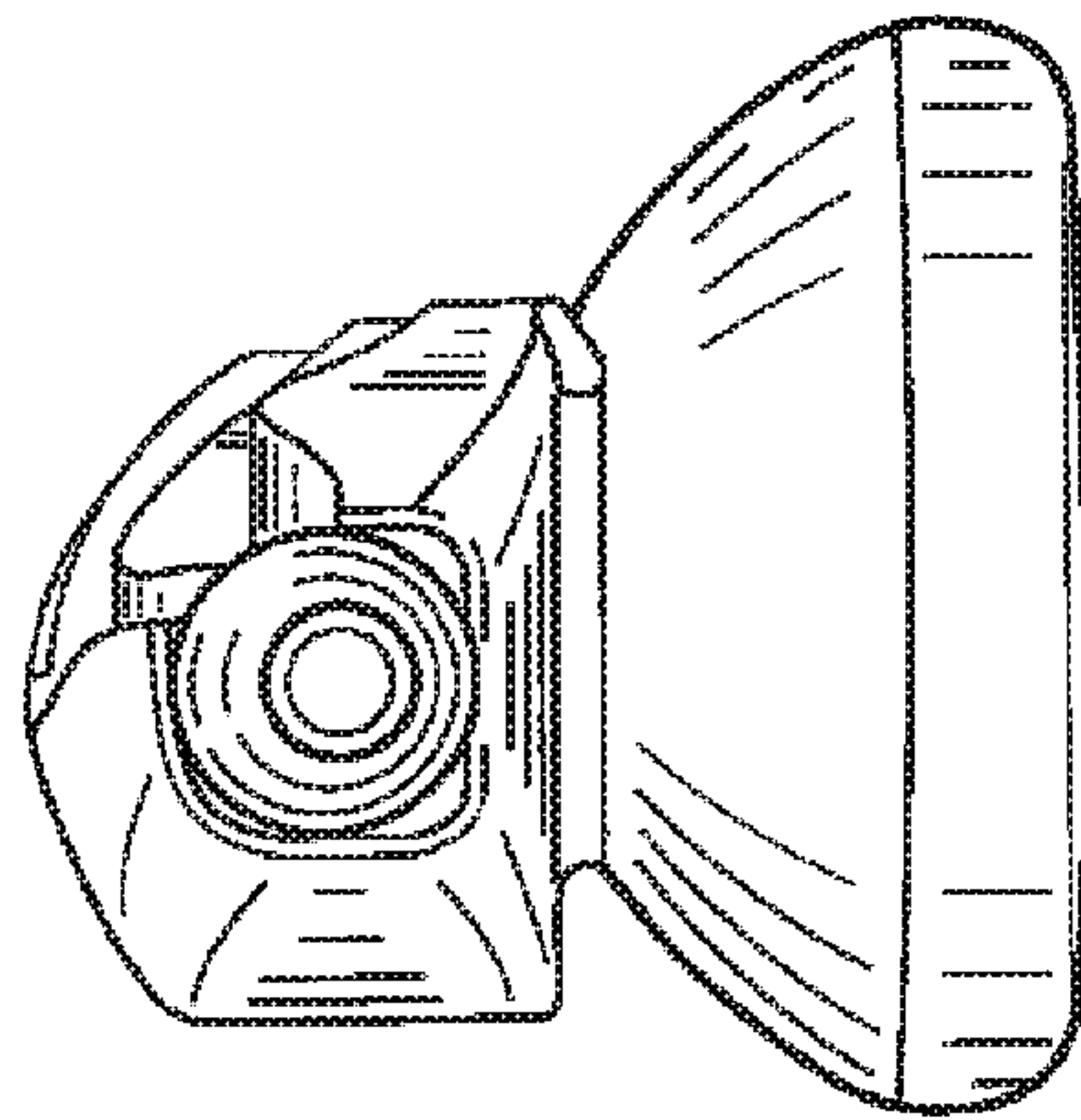


FIG. 6

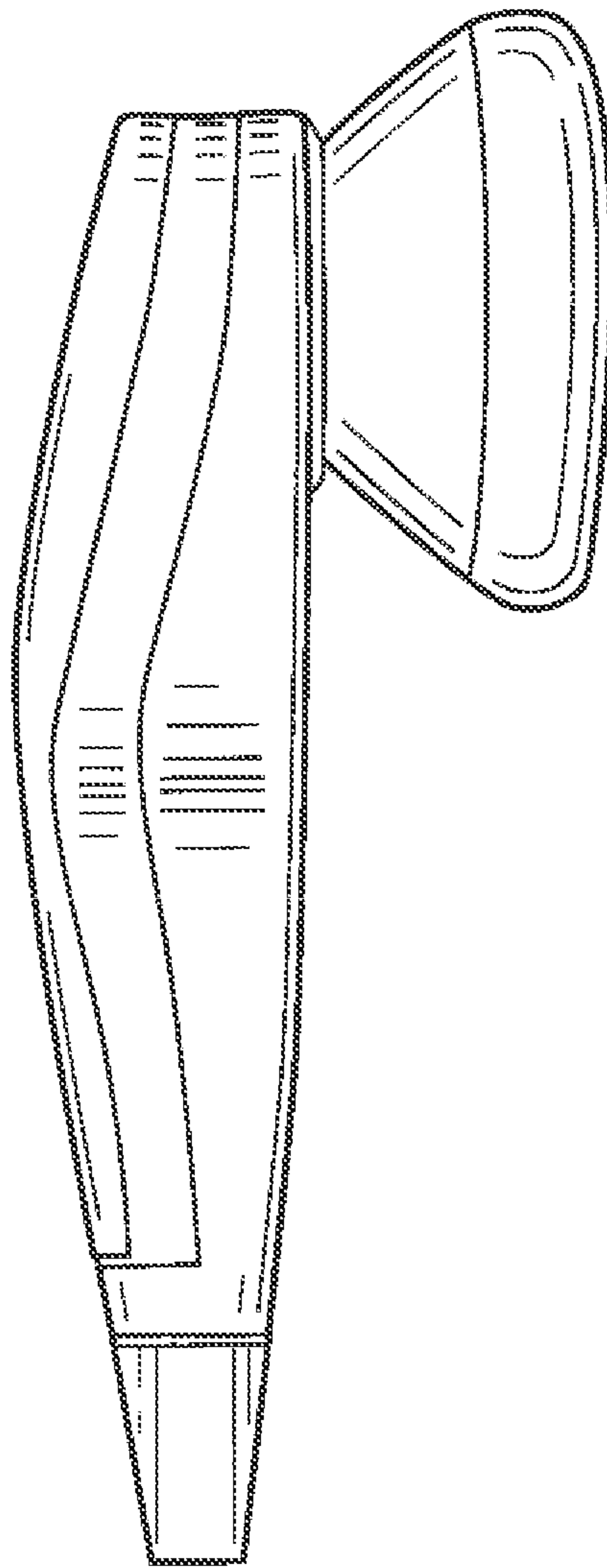


FIG. 7

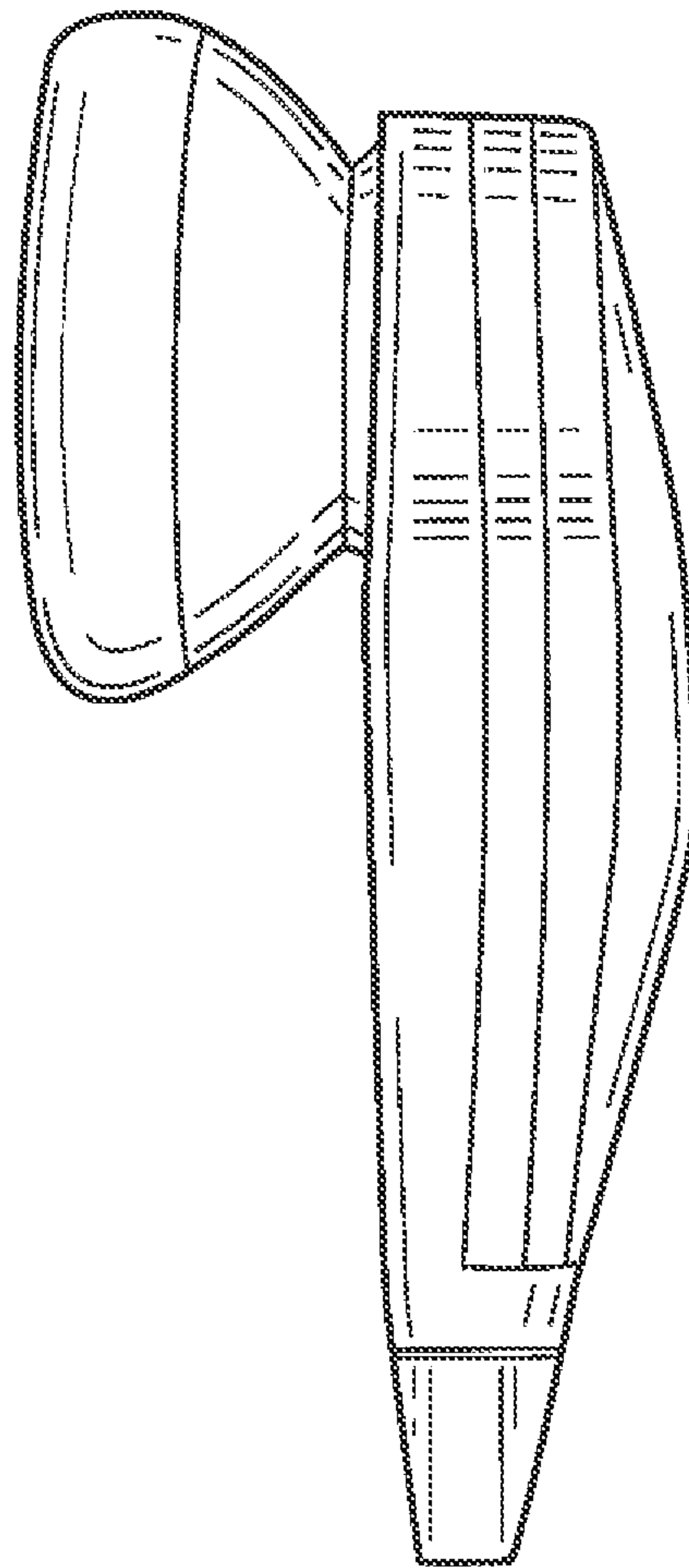


FIG. 8

