



US00D685348S

(12) **United States Design Patent**
Szymanski et al.

(10) **Patent No.:** **US D685,348 S**
(45) **Date of Patent:** **** Jul. 2, 2013**

(54) **SPEAKER**

(75) Inventors: **Aaron Michael Szymanski**, Mississauga (CA); **Brian Dennis Paschke**, Toronto (CA); **Di Tao**, Toronto (CA)

(73) Assignee: **Research In Motion Limited**, Waterloo, Ontario (CA)

(**) Term: **14 Years**

(21) Appl. No.: **29/432,200**

(22) Filed: **Sep. 14, 2012**

(51) **LOC (9) Cl.** **14-03**

(52) **U.S. Cl.**
USPC **D14/214**

(58) **Field of Classification Search**
USPC D14/168, 172, 194–196, 204, 207, D14/209.1, 210–216, 221, 222; 181/143, 181/144, 147, 148, 150, 153, 157, 198, 199; 381/300–303, 306, 332, 333, 336, 345, 381/361–364, 386–388

See application file for complete search history.

(56) **References Cited**

U.S. PATENT DOCUMENTS

D584,287	S	*	1/2009	Pauschitz et al.	D14/214
D597,064	S	*	7/2009	Machida	D14/167
D598,006	S	*	8/2009	Tse	D14/209.1
D648,743	S	*	11/2011	Chang	D14/496
D659,119	S	*	5/2012	Brunner et al.	D14/209.1
D659,670	S	*	5/2012	Goetzen et al.	D14/194
D660,285	S	*	5/2012	Lee et al.	D14/214
D672,748	S	*	12/2012	Burlingame et al.	D14/214
D674,779	S	*	1/2013	Joseph	D14/214

* cited by examiner

Primary Examiner — Keli L Hill

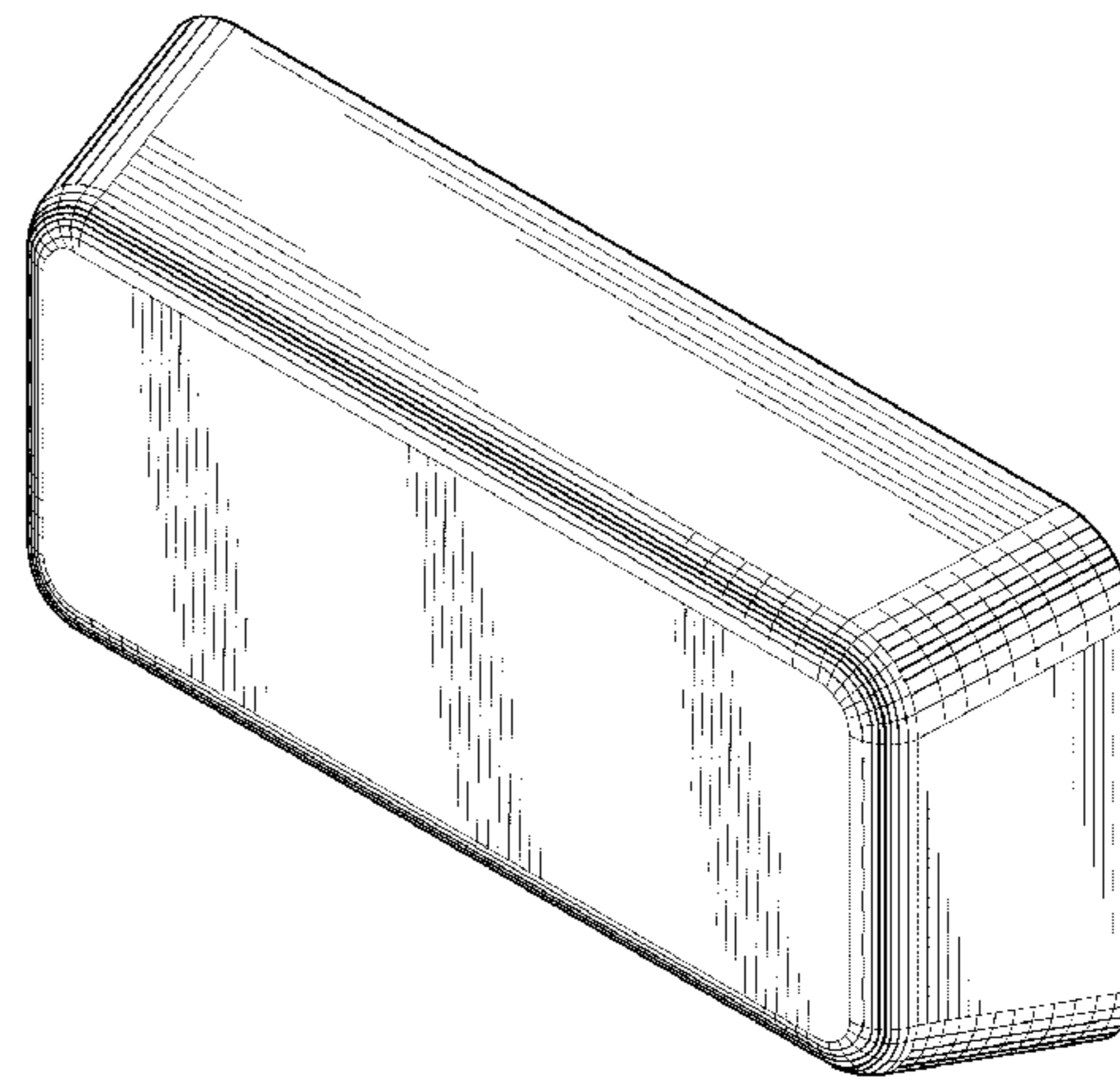
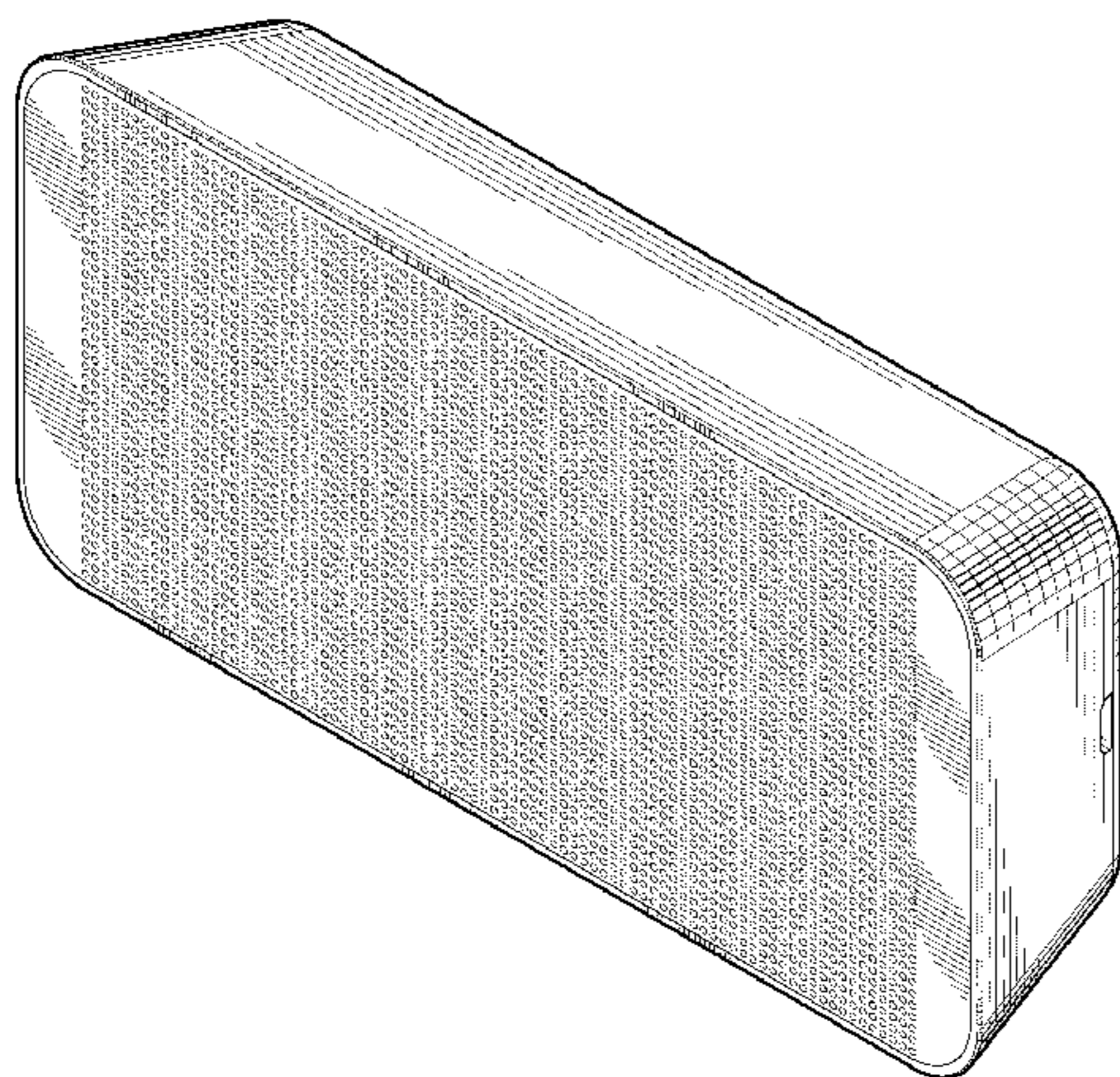
(57) **CLAIM**

We claim the ornamental design for a speaker, as shown and described.

DESCRIPTION

FIG. 1 is a front perspective view of a speaker;
FIG. 2 is a back perspective view of the speaker;
FIG. 3 is a front elevation view thereof;
FIG. 4 is a back elevation view thereof;
FIG. 5 is a right elevation view thereof;
FIG. 6 is a left elevation view thereof;
FIG. 7 is a top plan view thereof; and,
FIG. 8 is a bottom plan view thereof.

1 Claim, 3 Drawing Sheets



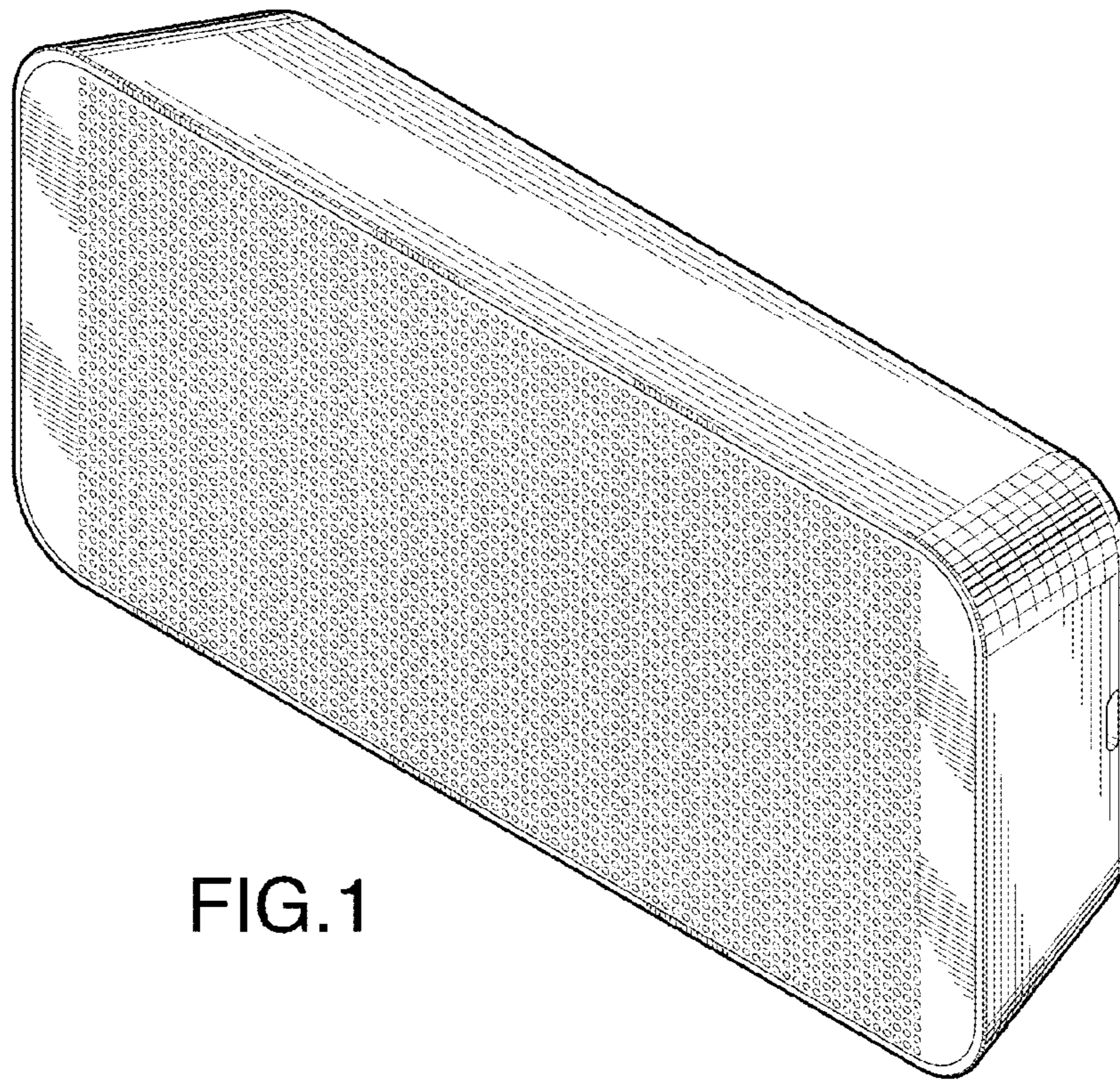


FIG. 1

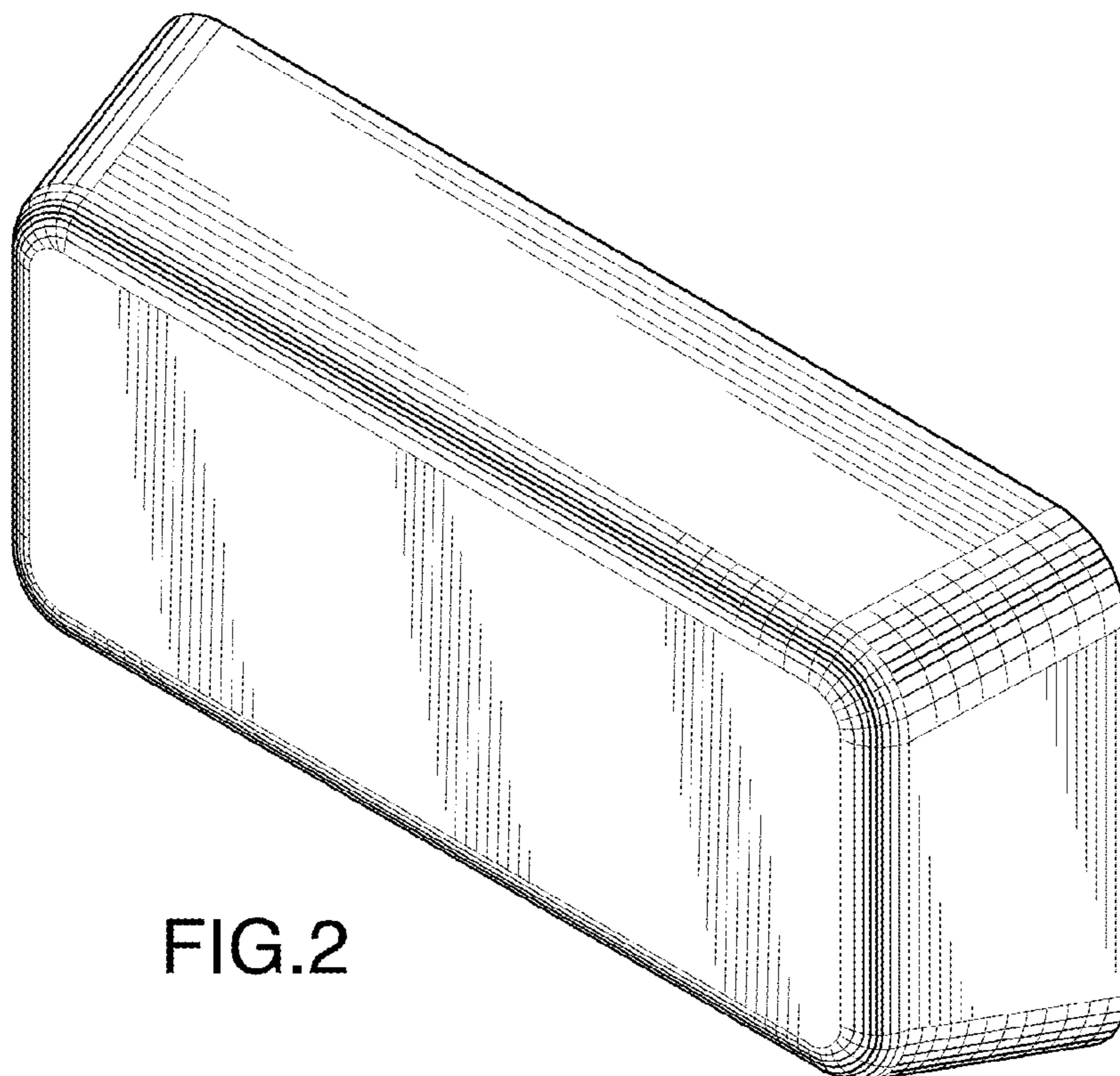


FIG. 2

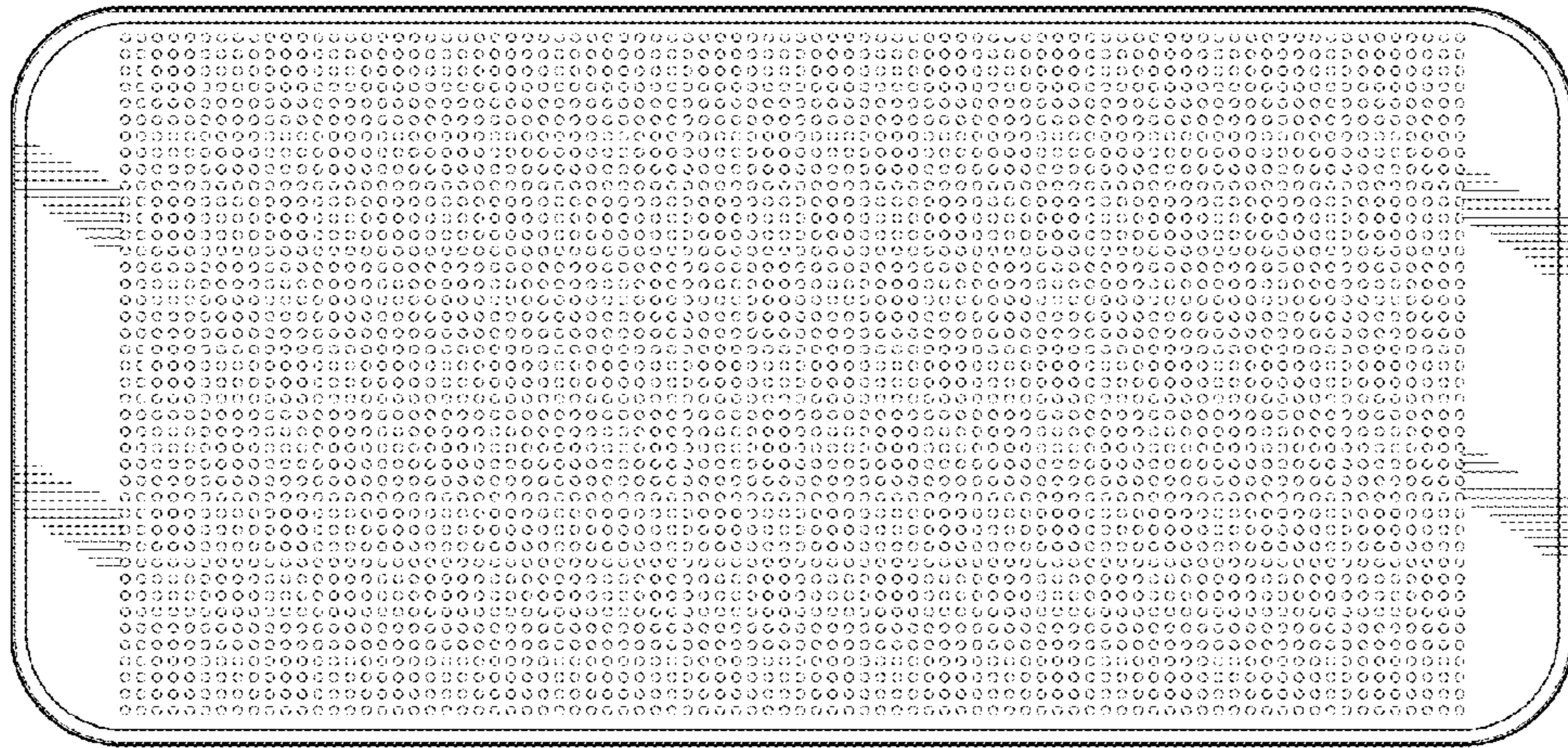


FIG.3

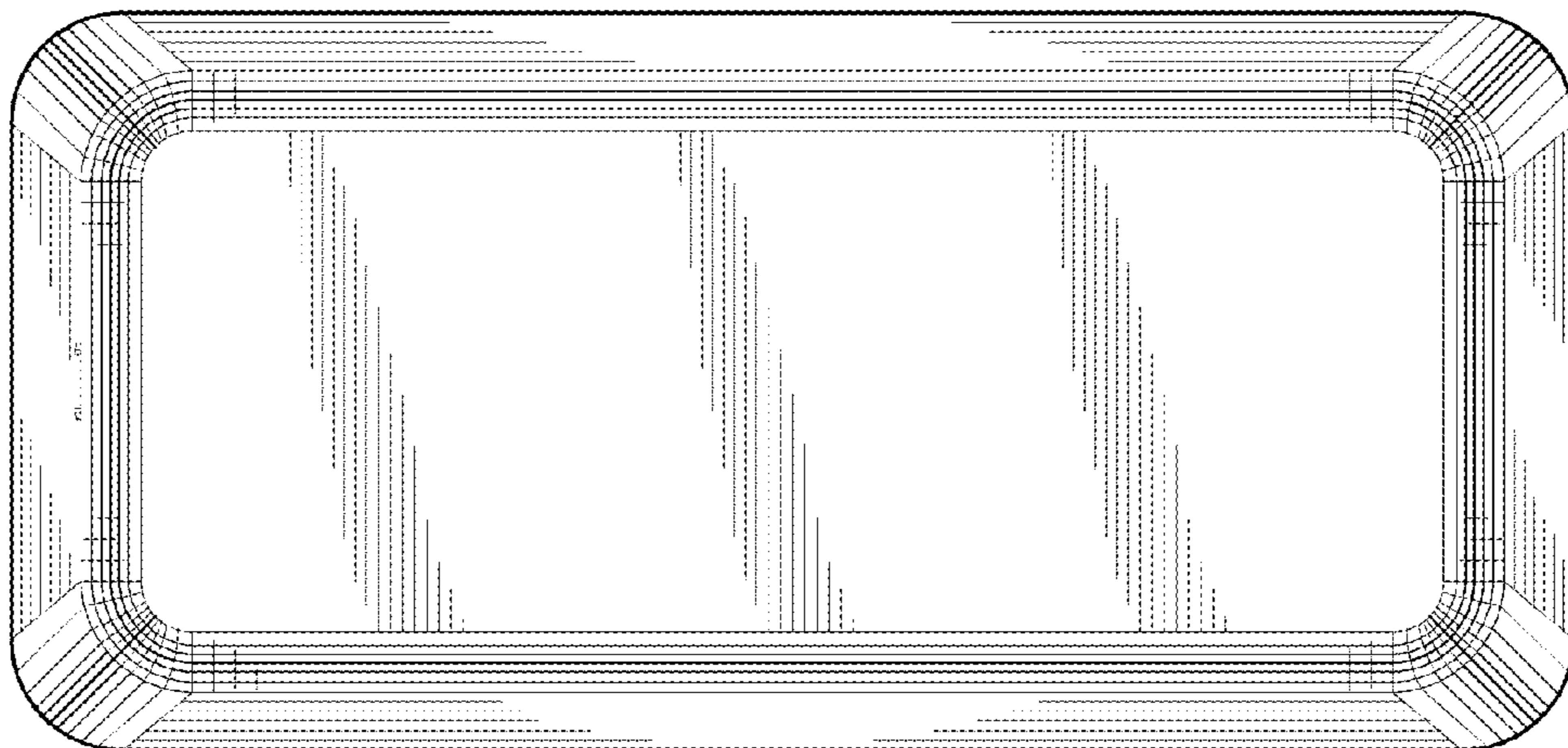


FIG.4

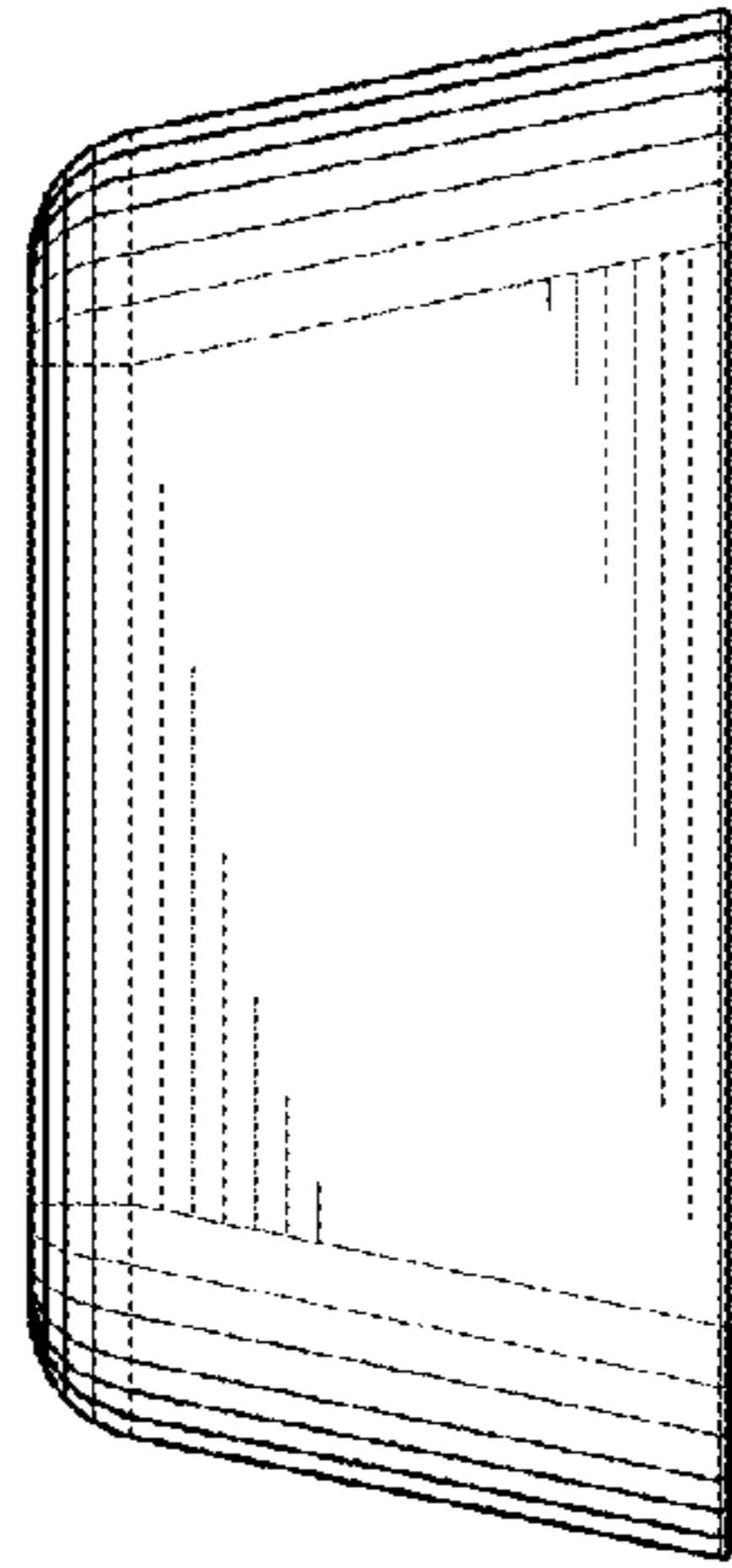


FIG. 5

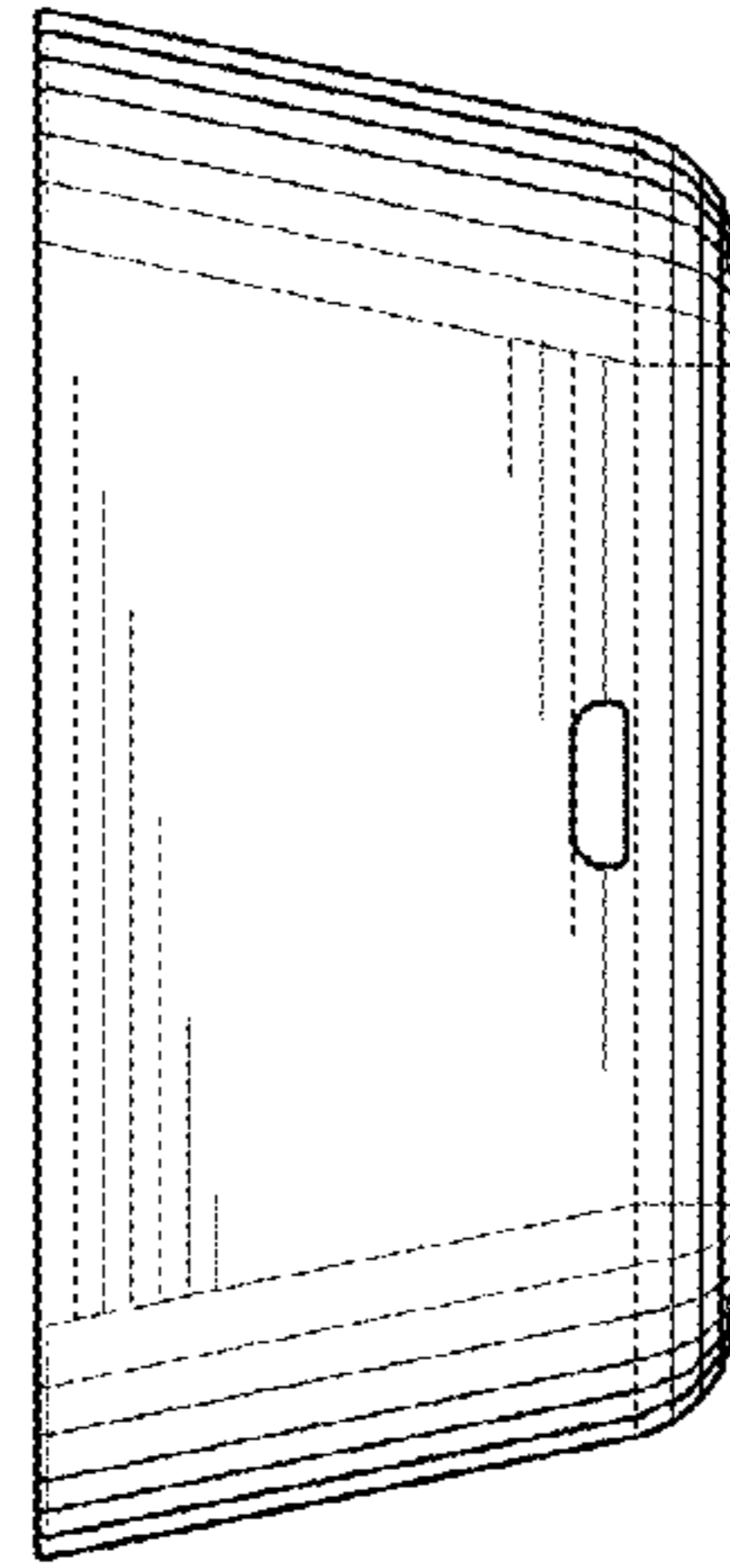


FIG. 6

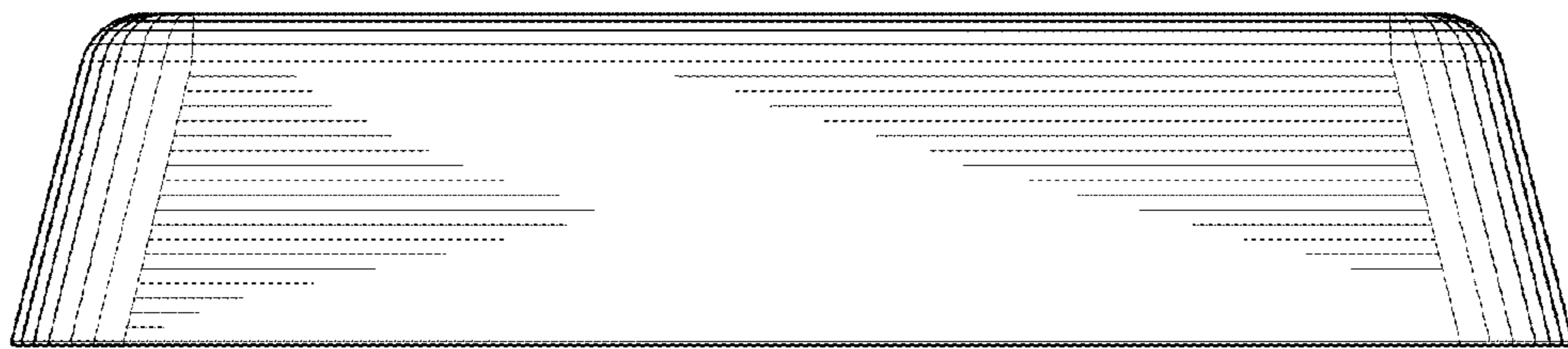


FIG. 7

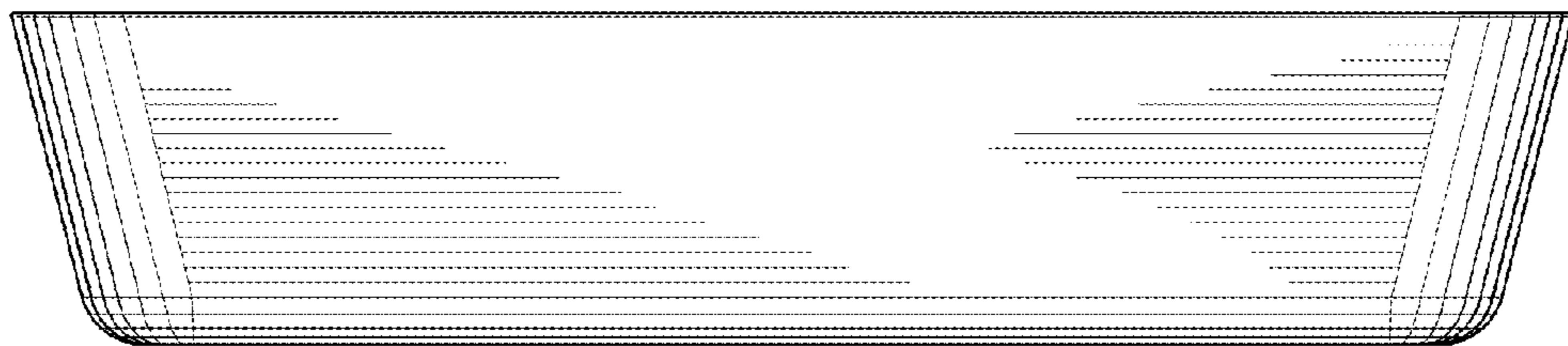


FIG. 8