



US00D685347S

(12) **United States Design Patent**  
**Szymanski et al.**

(10) **Patent No.:** **US D685,347 S**  
(45) **Date of Patent:** **\*\* Jul. 2, 2013**

(54) **SPEAKER**

(75) Inventors: **Aaron Michael Szymanski**, Mississauga (CA); **Brian Dennis Paschke**, Toronto (CA); **Di Tao**, Toronto (CA); **Jamaal Peele**, Mississauga (CA); **Todd Andrew Wood**, Toronto (CA)

(73) Assignee: **Research In Motion Limited**, Waterloo, Ontario (CA)

(\*\*) Term: **14 Years**

(21) Appl. No.: **29/432,194**

(22) Filed: **Sep. 14, 2012**

(51) **LOC (9) Cl.** ..... **14-03**

(52) **U.S. Cl.**  
USPC ..... **D14/214**

(58) **Field of Classification Search**  
USPC ..... D14/168, 172, 194–196, 204, 207, D14/209.1, 210–216, 221, 222; 181/143, 181/144, 147, 148, 150, 153, 157, 198, 199; 381/300–303, 306, 332, 333, 336, 345, 361–364, 386–388  
See application file for complete search history.

(56) **References Cited**

**U.S. PATENT DOCUMENTS**

D273,382 S \* 4/1984 Okada et al. .... D14/194  
D284,084 S \* 6/1986 Ferrara, Jr. .... D14/389

D306,583 S \* 3/1990 Krolopp et al. .... D14/137  
D504,889 S \* 5/2005 Andre et al. .... D14/341  
D505,668 S \* 5/2005 Liu ..... D14/194  
D505,669 S \* 5/2005 Liu ..... D14/194  
D526,643 S \* 8/2006 Ishizaki ..... D14/214  
D574,795 S \* 8/2008 Wlotzka ..... D14/129  
D584,716 S \* 1/2009 Ahlgren et al. .... D14/214  
D589,605 S \* 3/2009 Reedy et al. .... D23/388  
D597,075 S \* 7/2009 Irii et al. .... D14/214  
D620,477 S \* 7/2010 Hou ..... D14/214  
D636,373 S \* 4/2011 Miu ..... D14/170

\* cited by examiner

*Primary Examiner* — Keli L Hill

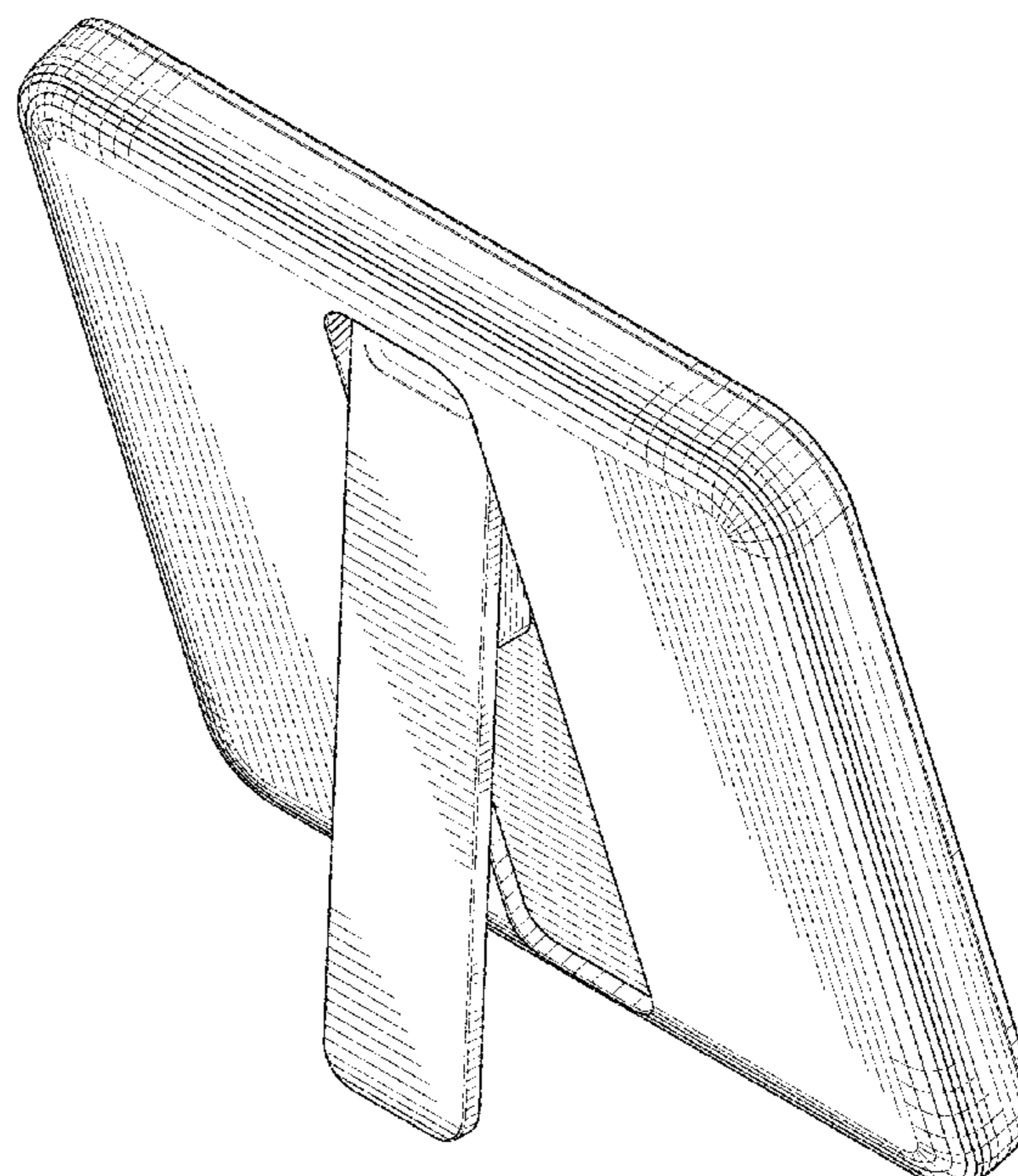
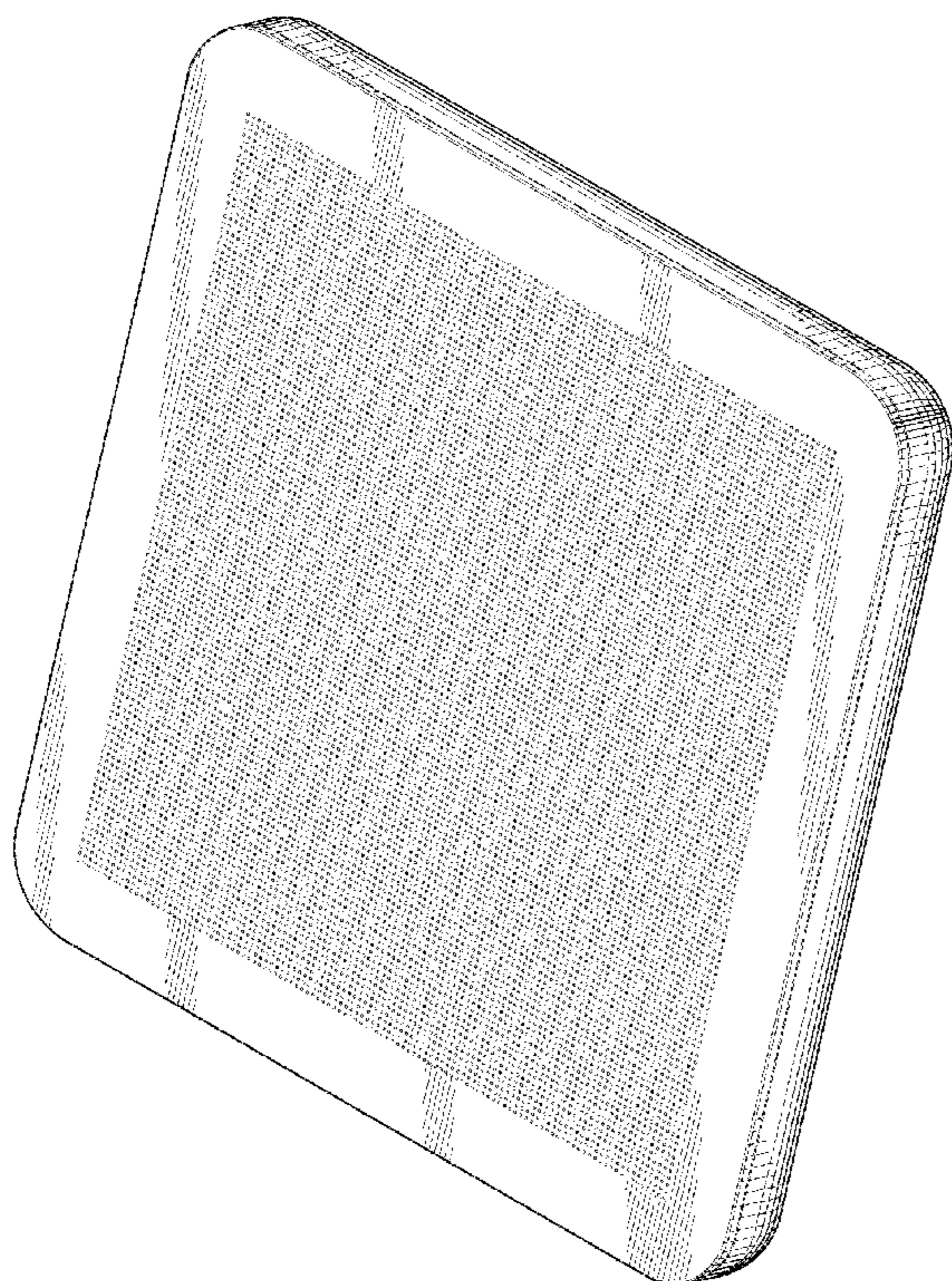
(57) **CLAIM**

We claim the ornamental design for a speaker, as shown and described.

**DESCRIPTION**

FIG. 1 is a front perspective view of a speaker; FIG. 2 is a back perspective view of the speaker; FIG. 3 is a front elevation view thereof; FIG. 4 is a back elevation view thereof; FIG. 5 is a right elevation view thereof; FIG. 6 is a left elevation view thereof; FIG. 7 is a top plan view thereof; and, FIG. 8 is a bottom plan view thereof. The broken lines shown in the drawings of the speaker are for illustrating portions of the article and form no part of the claimed design.

**1 Claim, 6 Drawing Sheets**



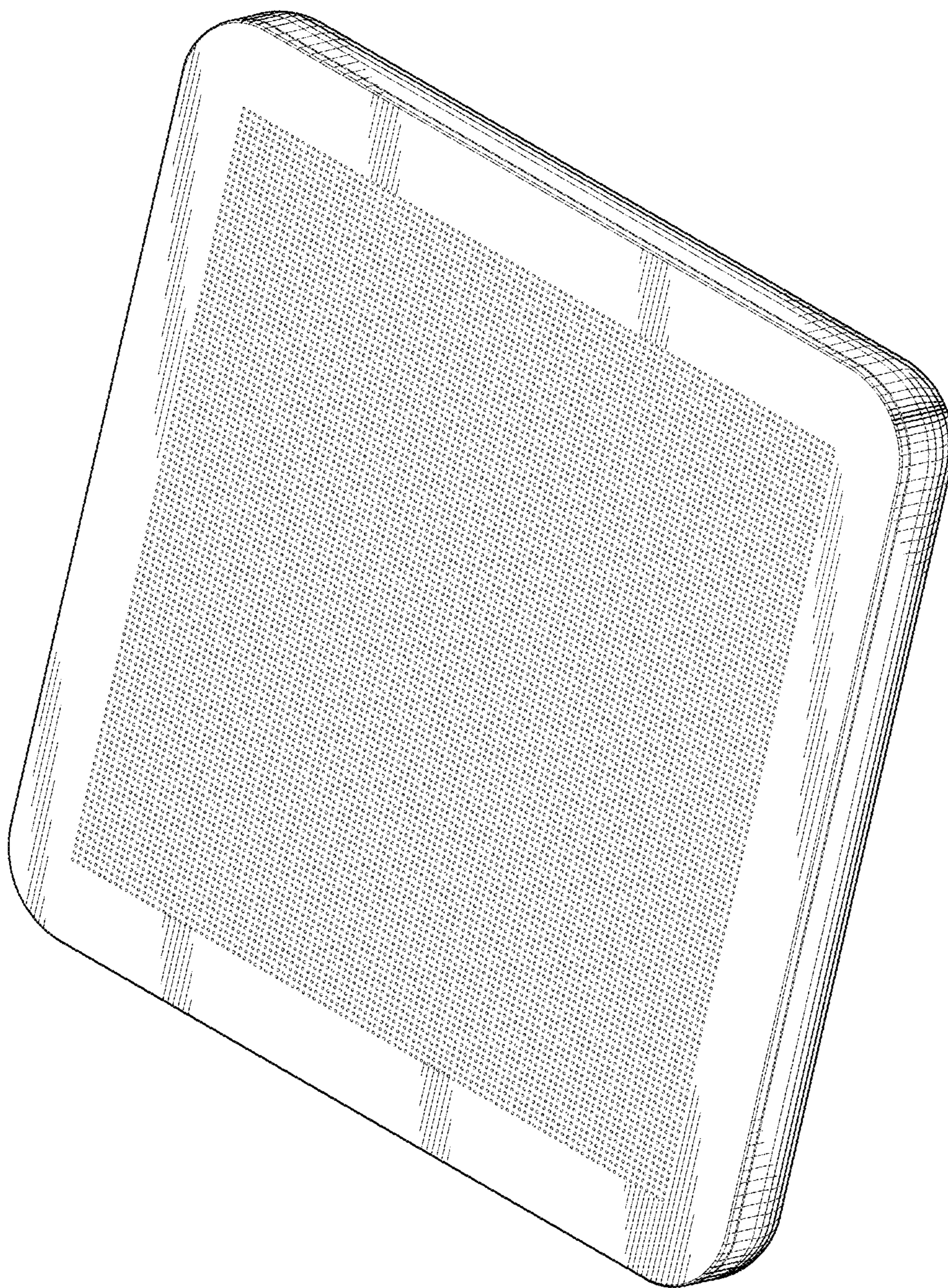


FIG.1

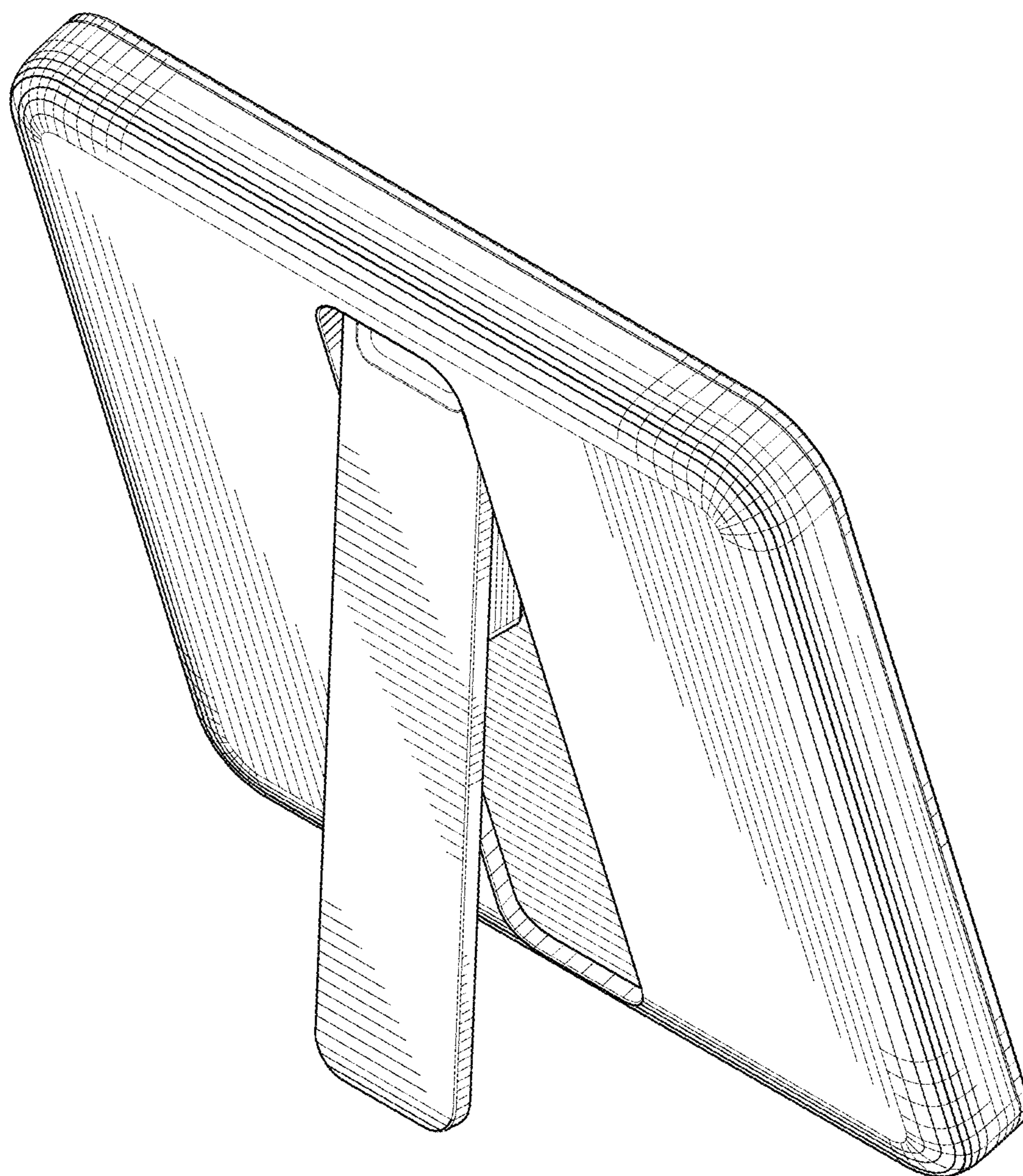


FIG.2

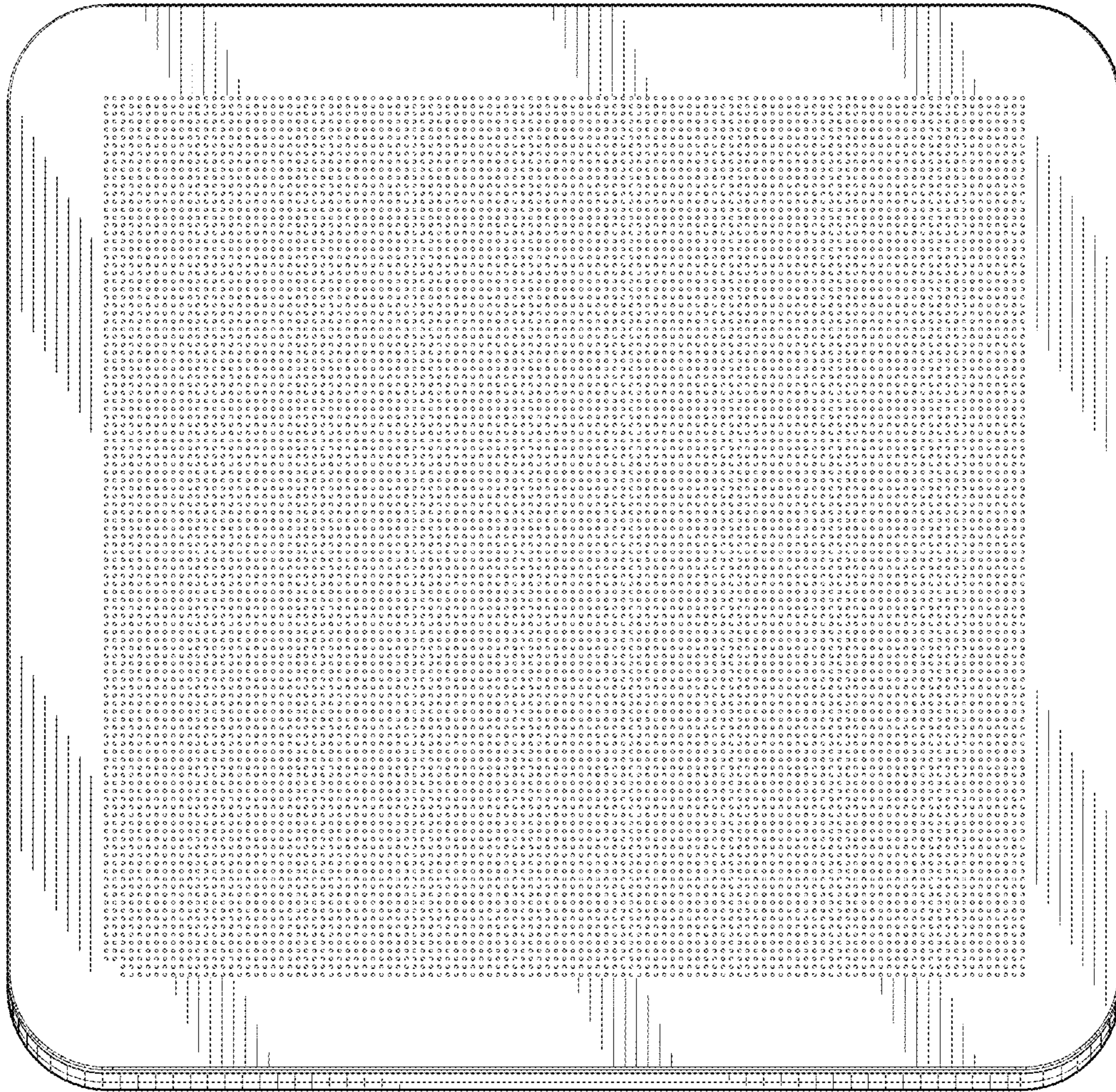


FIG.3



FIG.4

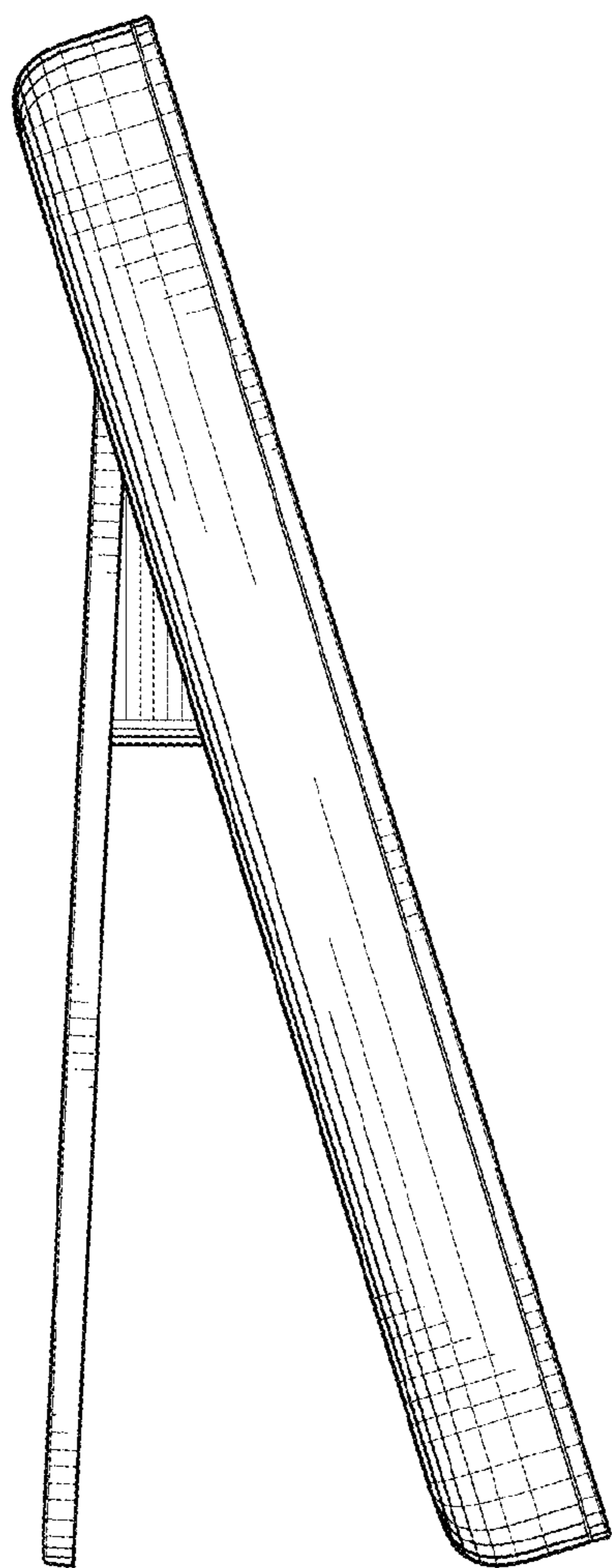


FIG. 5

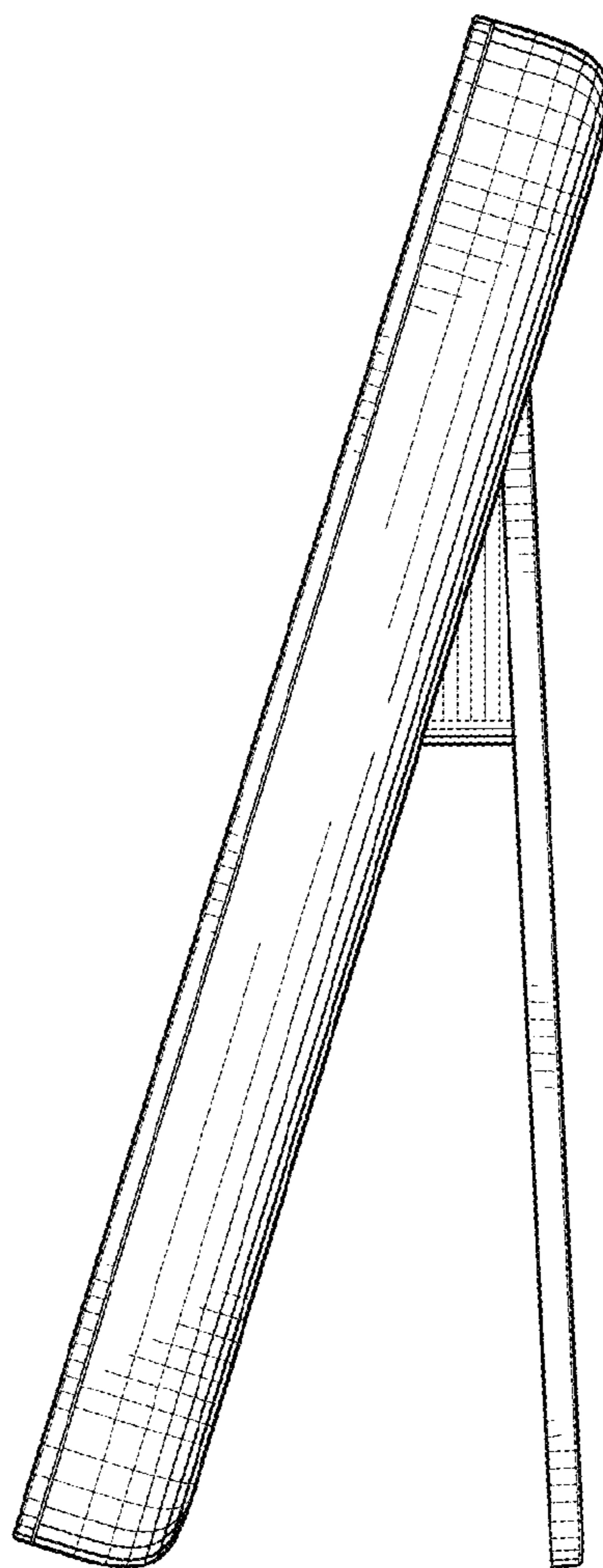


FIG. 6

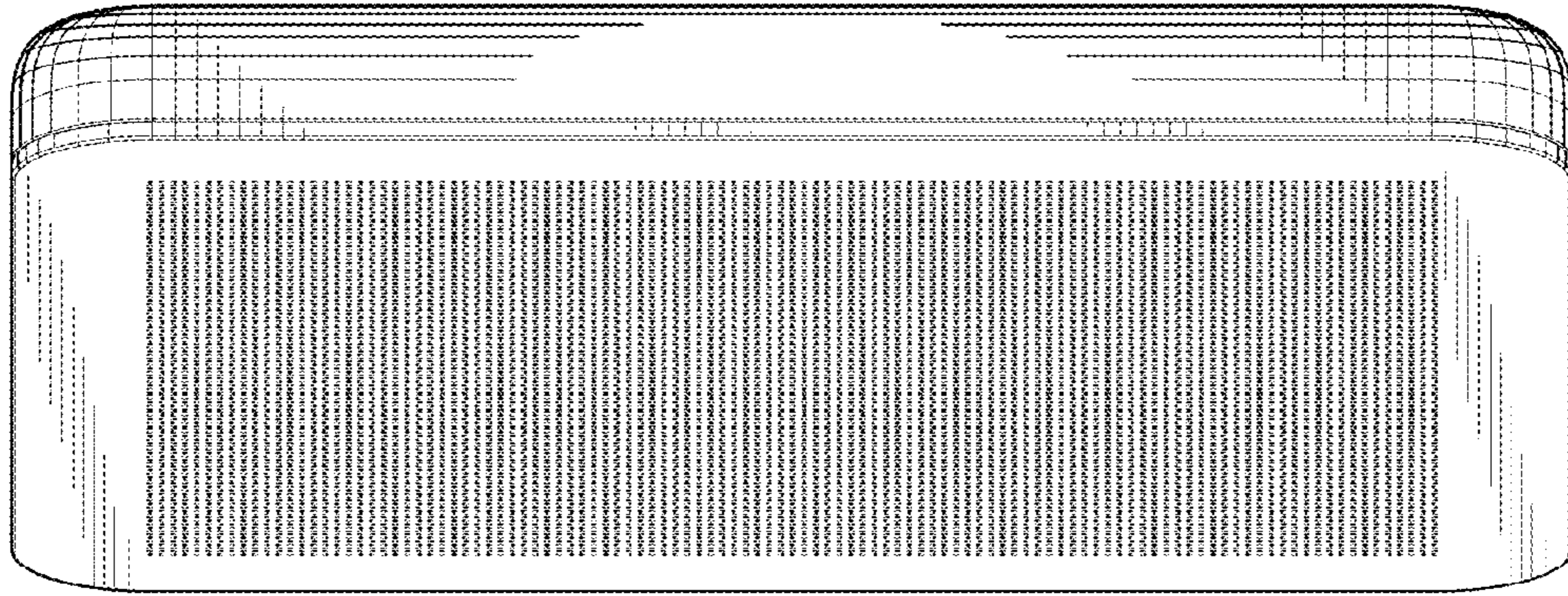


FIG. 7

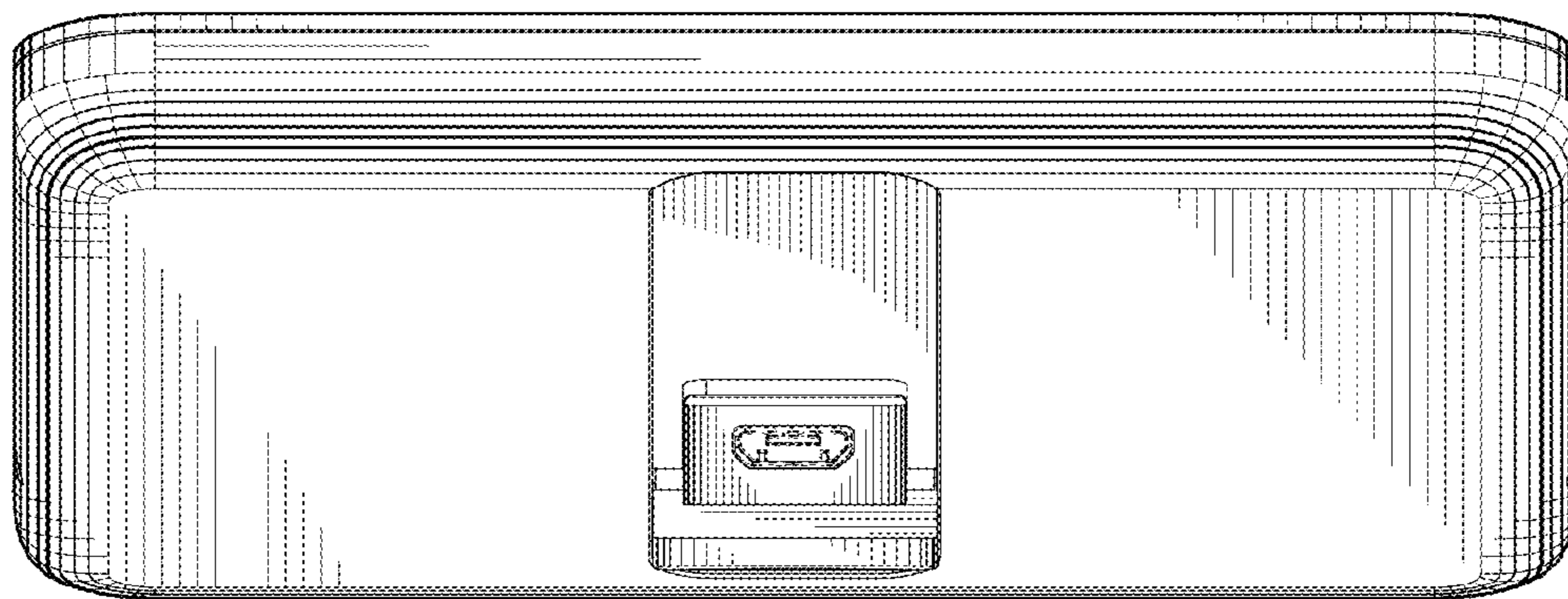


FIG. 8