



US00D685345S

(12) **United States Design Patent**
Serota

(10) **Patent No.:** **US D685,345 S**
(45) **Date of Patent:** **** Jul. 2, 2013**

(54) **HEADPHONES**

(76) Inventor: **Lee Serota**, Oswego, IL (US)

(**) Term: **14 Years**

(21) Appl. No.: **29/431,280**

(22) Filed: **Sep. 5, 2012**

(51) **LOC (9) Cl.** **14-01**

(52) **U.S. Cl.**
USPC **D14/205**

(58) **Field of Classification Search**
USPC D14/205, 206, 223, 188, 192; 181/129,
181/130, 135; 379/430, 431; 381/380, 381;
D29/112; 2/209; 455/90.3, 575.1
See application file for complete search history.

(56) **References Cited**

U.S. PATENT DOCUMENTS

| | | | | | | |
|-----------|---|---|---------|-----------------|-------|---------|
| 1,699,127 | A | * | 1/1929 | Wacker | | 381/74 |
| D328,074 | S | * | 7/1992 | Yamazaki et al. | | D14/205 |
| D328,461 | S | * | 8/1992 | Daido et al. | | D14/205 |
| D386,181 | S | * | 11/1997 | Fisher | | D14/205 |
| D394,062 | S | * | 5/1998 | Chun | | D14/192 |
| D430,140 | S | * | 8/2000 | Roman | | D14/205 |
| D449,034 | S | * | 10/2001 | Weikel et al. | | D14/205 |
| D563,382 | S | * | 3/2008 | Wikel | | D14/205 |
| D617,769 | S | * | 6/2010 | Birger | | D14/205 |
| D625,705 | S | * | 10/2010 | Ohori et al. | | D14/205 |
| D632,668 | S | * | 2/2011 | Brunner et al. | | D14/205 |

| | | | | | | |
|----------|---|---|---------|------------------|-------|---------|
| D638,397 | S | * | 5/2011 | McManigal | | D14/205 |
| D639,776 | S | * | 6/2011 | Arimoto | | D14/205 |
| D649,528 | S | * | 11/2011 | Park | | D14/205 |
| D657,344 | S | * | 4/2012 | Brunner et al. | | D14/205 |
| D664,114 | S | * | 7/2012 | Tsuchiya | | D14/205 |
| D664,116 | S | * | 7/2012 | Hutchieson | | D14/205 |
| D664,118 | S | * | 7/2012 | Tappeiner et al. | | D14/205 |
| D669,451 | S | * | 10/2012 | Tappeiner et al. | | D14/205 |
| D673,520 | S | * | 1/2013 | Tan | | D14/205 |
| D673,929 | S | * | 1/2013 | Combs et al. | | D14/205 |
| D675,595 | S | * | 2/2013 | Cho et al. | | D14/205 |
| D678,860 | S | * | 3/2013 | Hagelin | | D14/205 |

* cited by examiner

Primary Examiner — Paula Greene

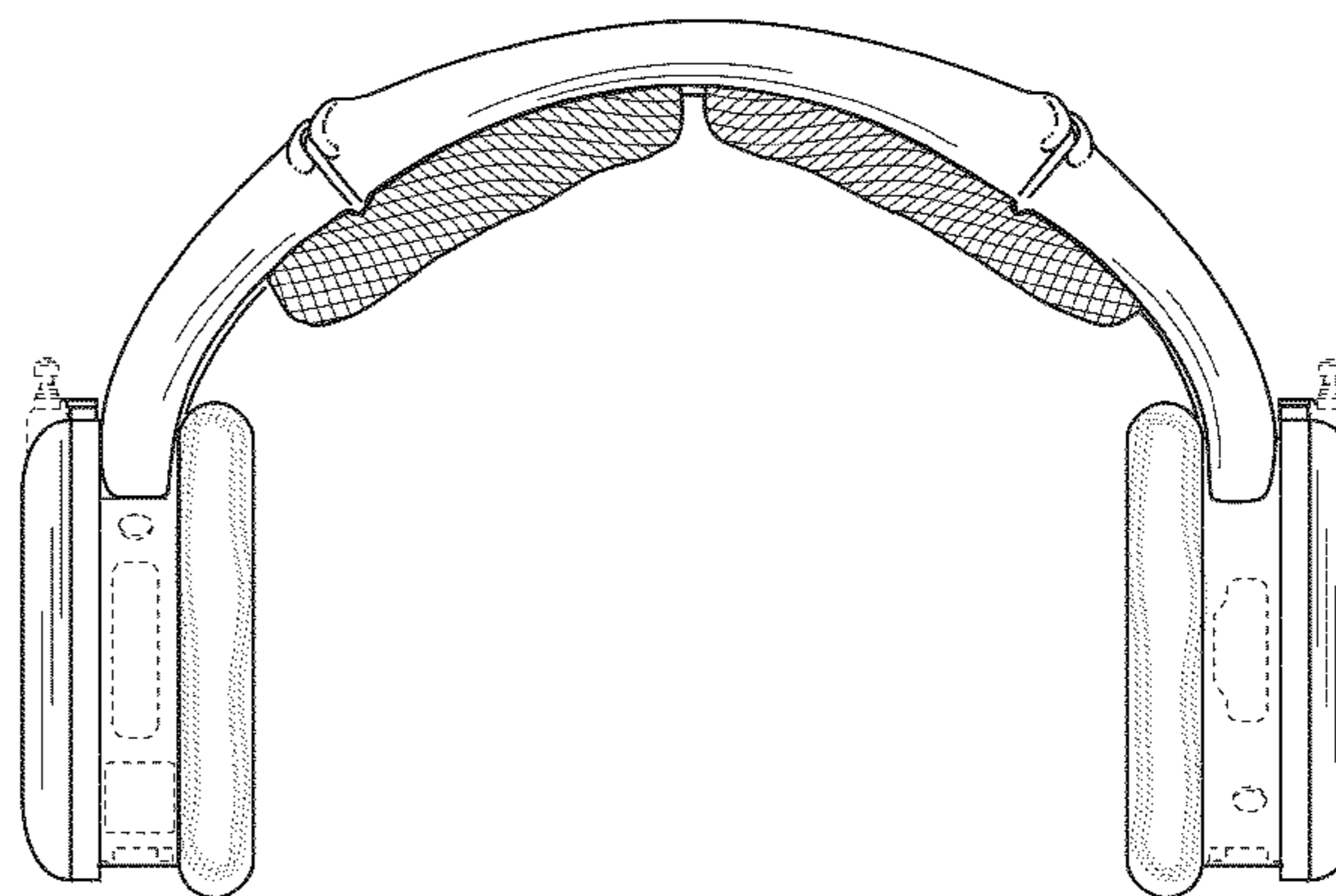
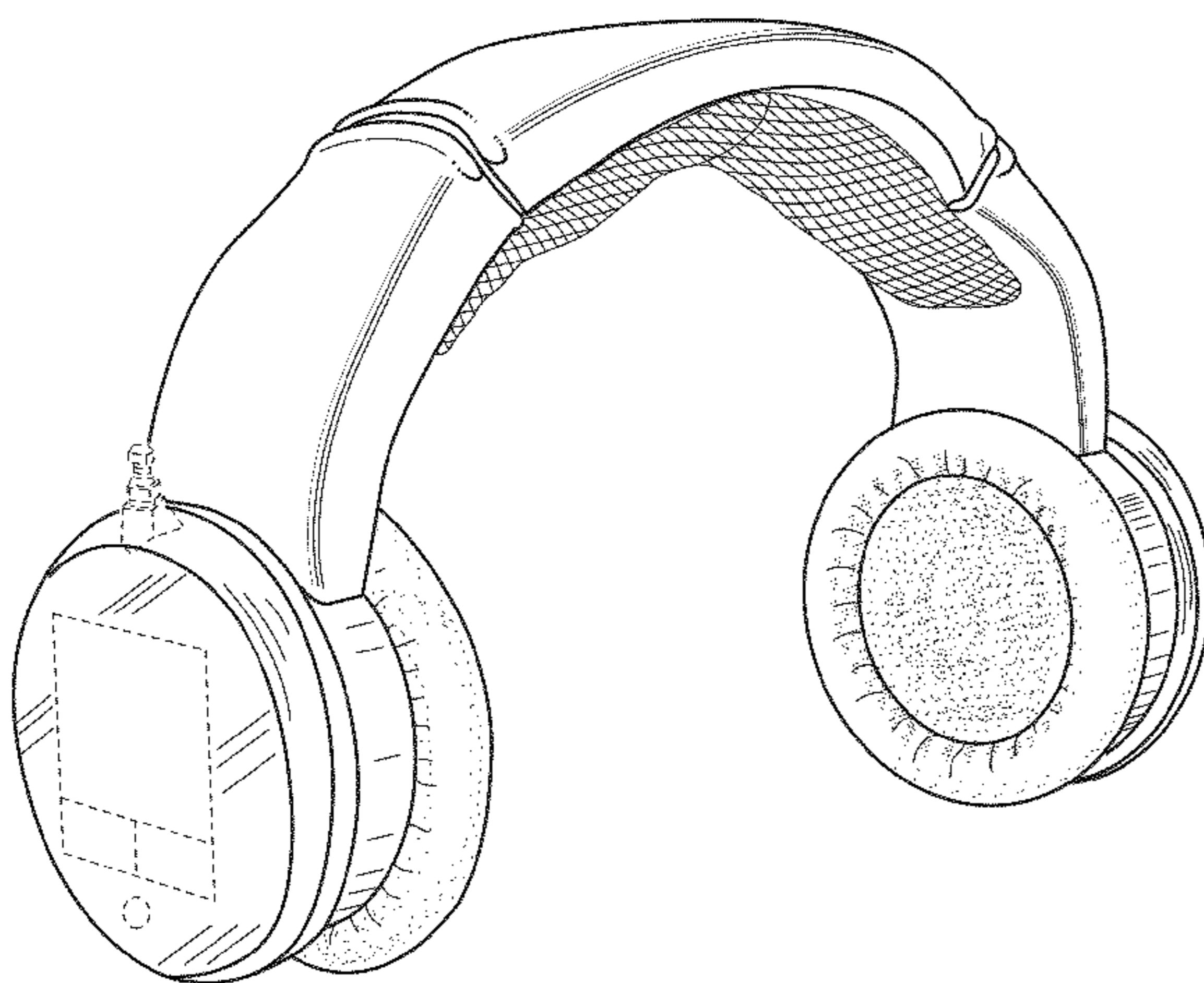
(57) **CLAIM**

The ornamental design for headphones, as shown and described.

DESCRIPTION

FIG. 1 is a perspective view of headphones;
FIG. 2 is a top plan view thereof;
FIG. 3 is a bottom plan view thereof;
FIG. 4 is a front elevational view thereof;
FIG. 5 is a rear elevational view thereof;
FIG. 6 is a left-side elevational view thereof; and,
FIG. 7 is a right-side elevational view thereof.
The broken line showing in FIGS. 1-7 is included for the purpose of showing environmental structure and forms no part of the claimed design.

1 Claim, 7 Drawing Sheets



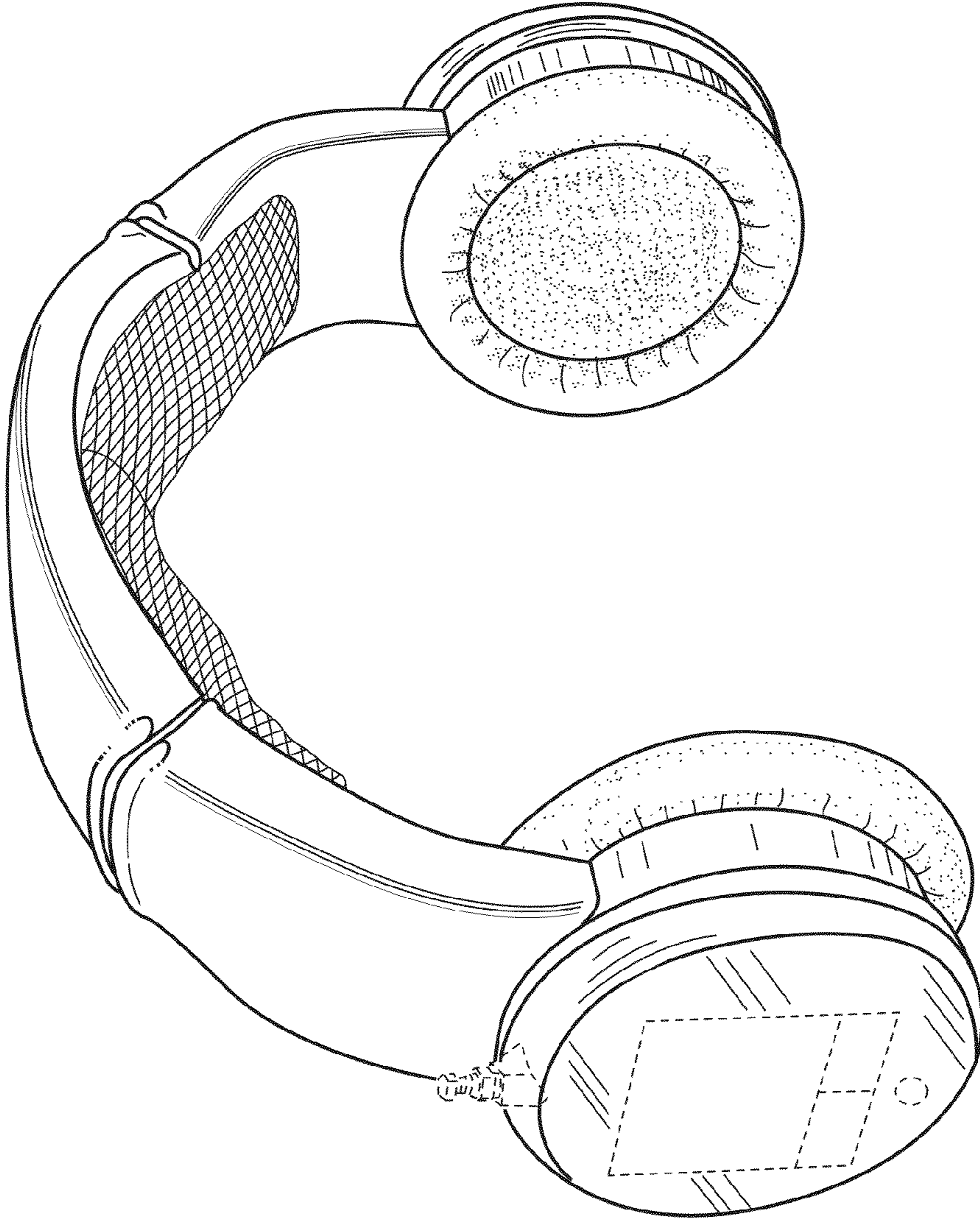


FIG. 1

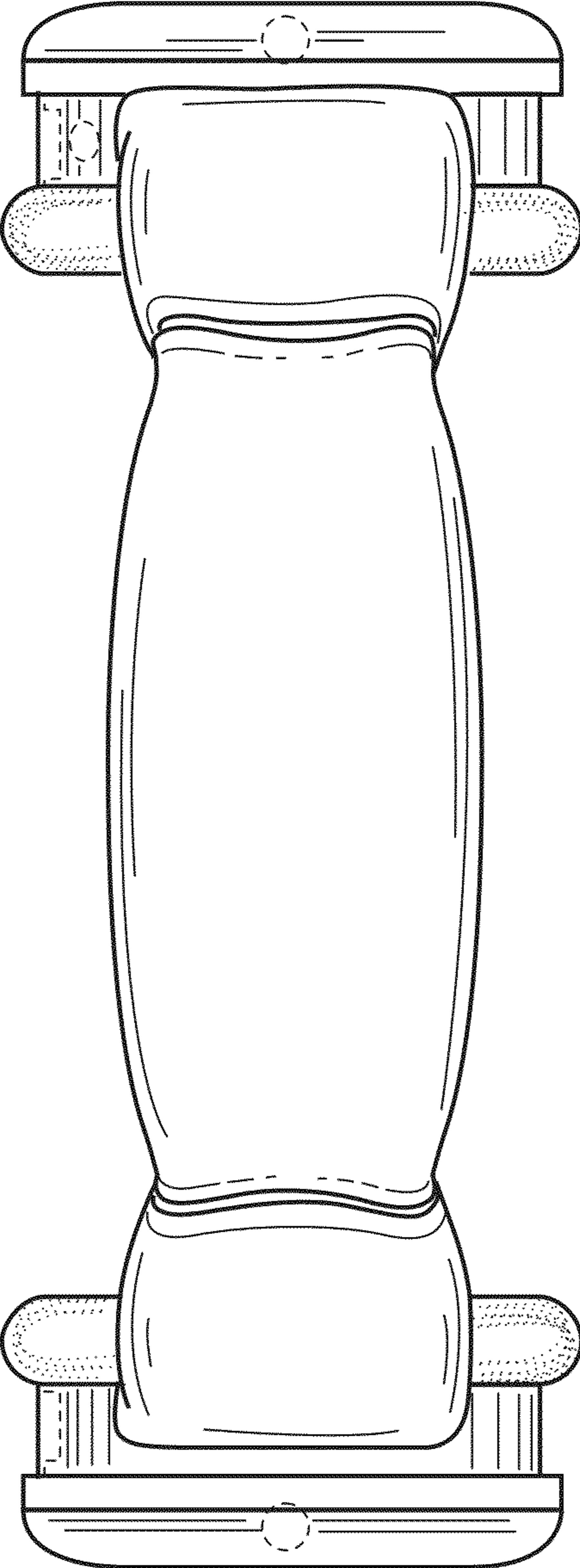


FIG. 2

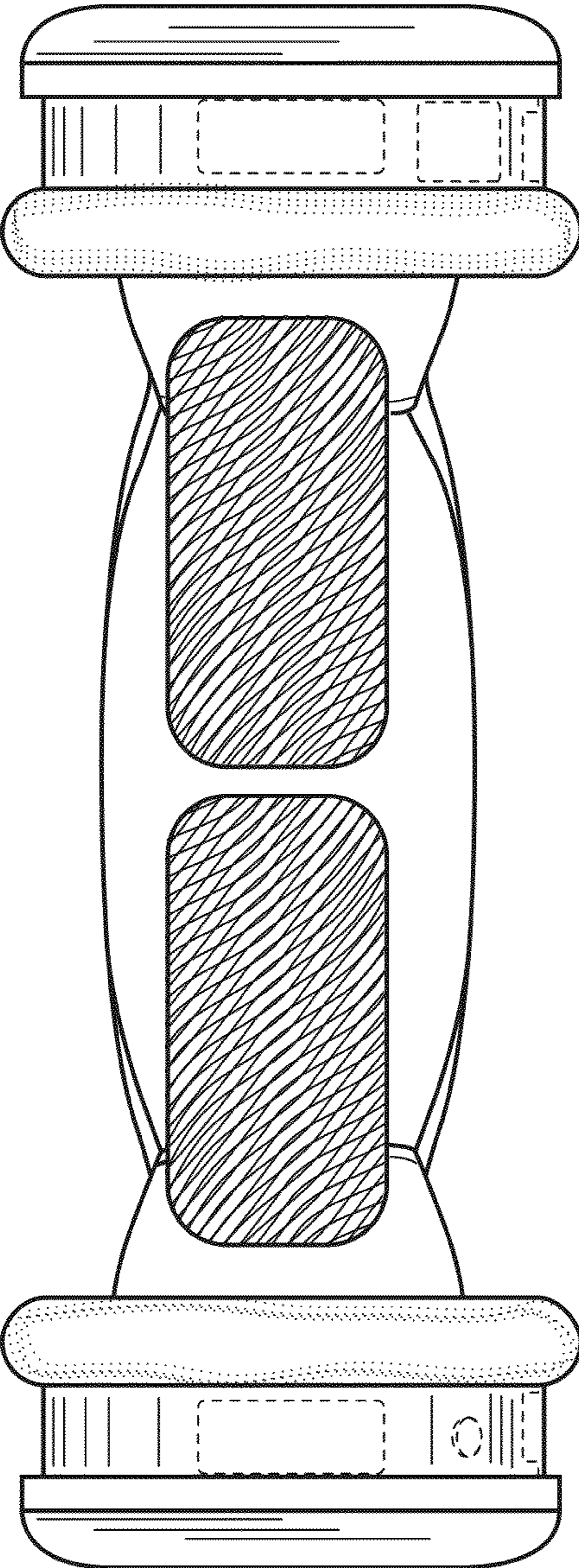


FIG. 3

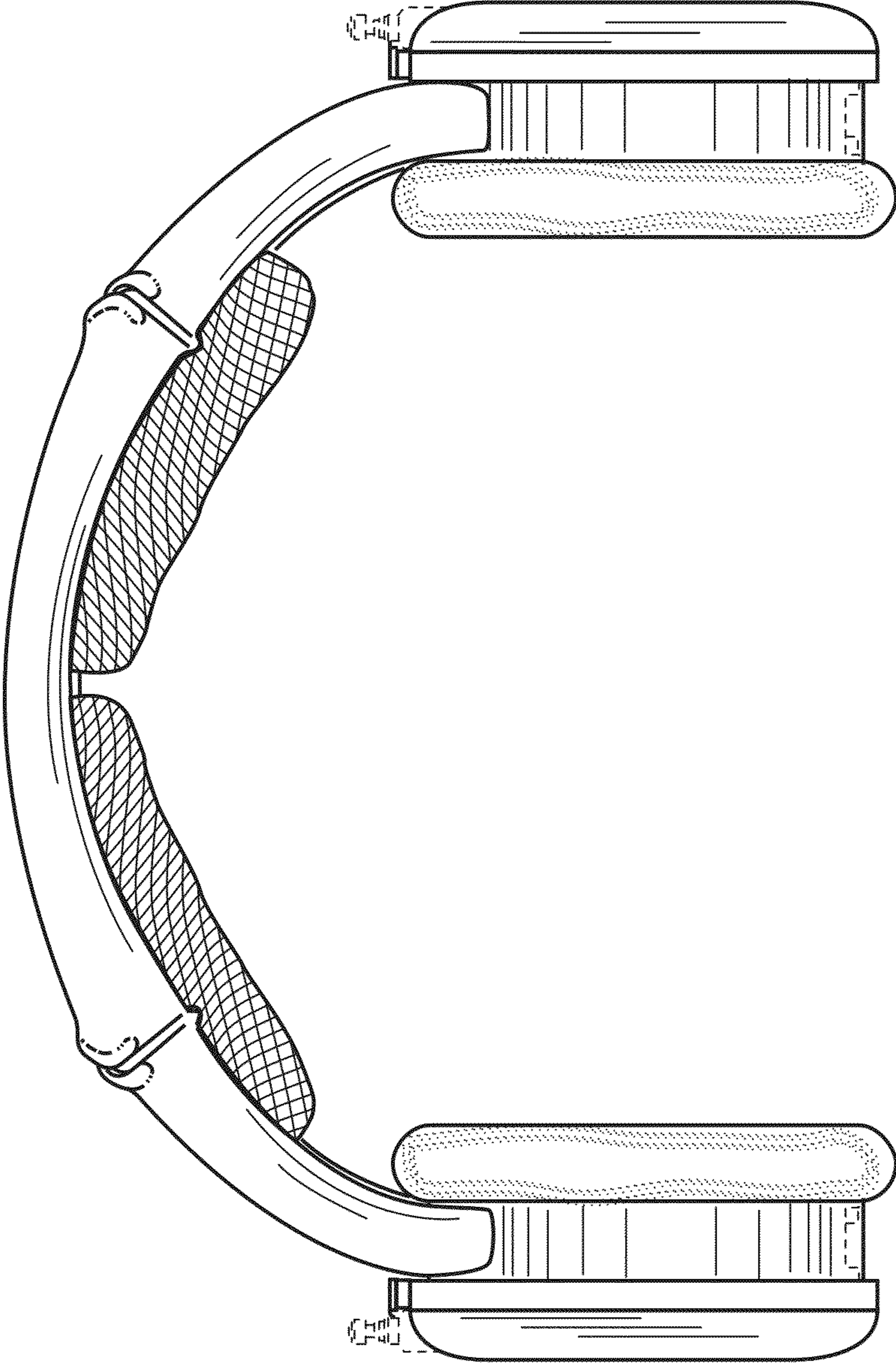


FIG. 4

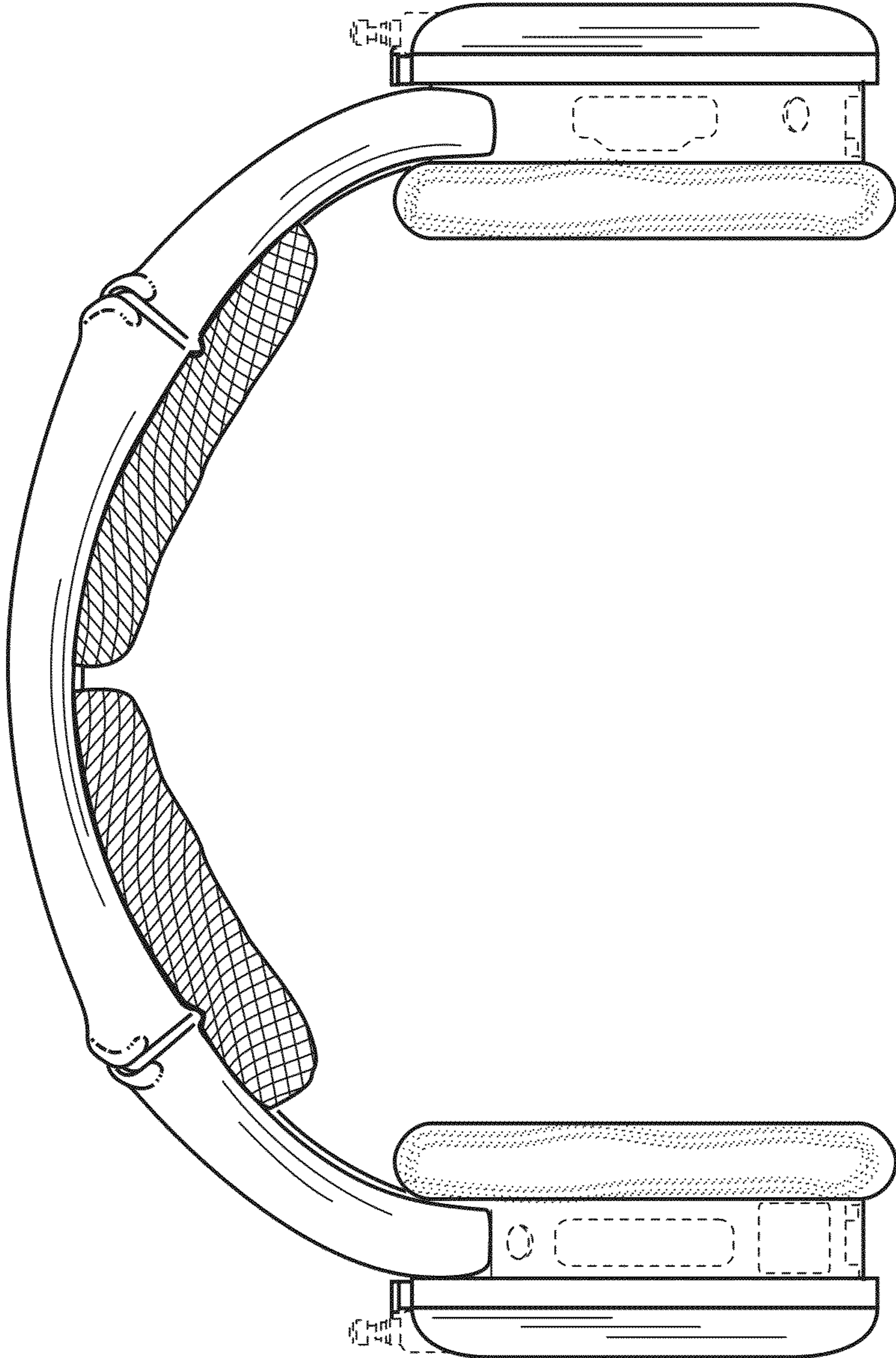


FIG. 5

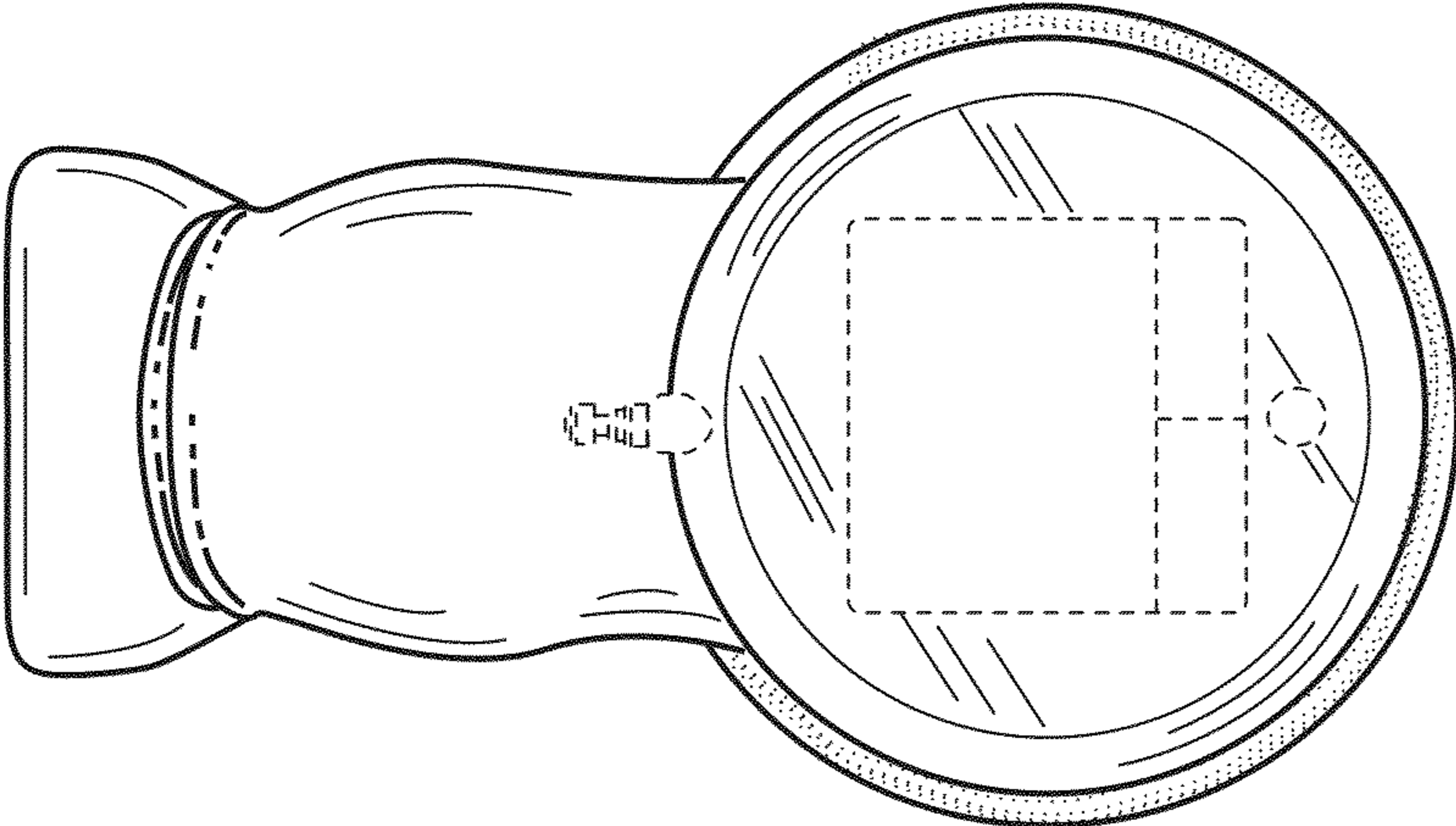


FIG. 6

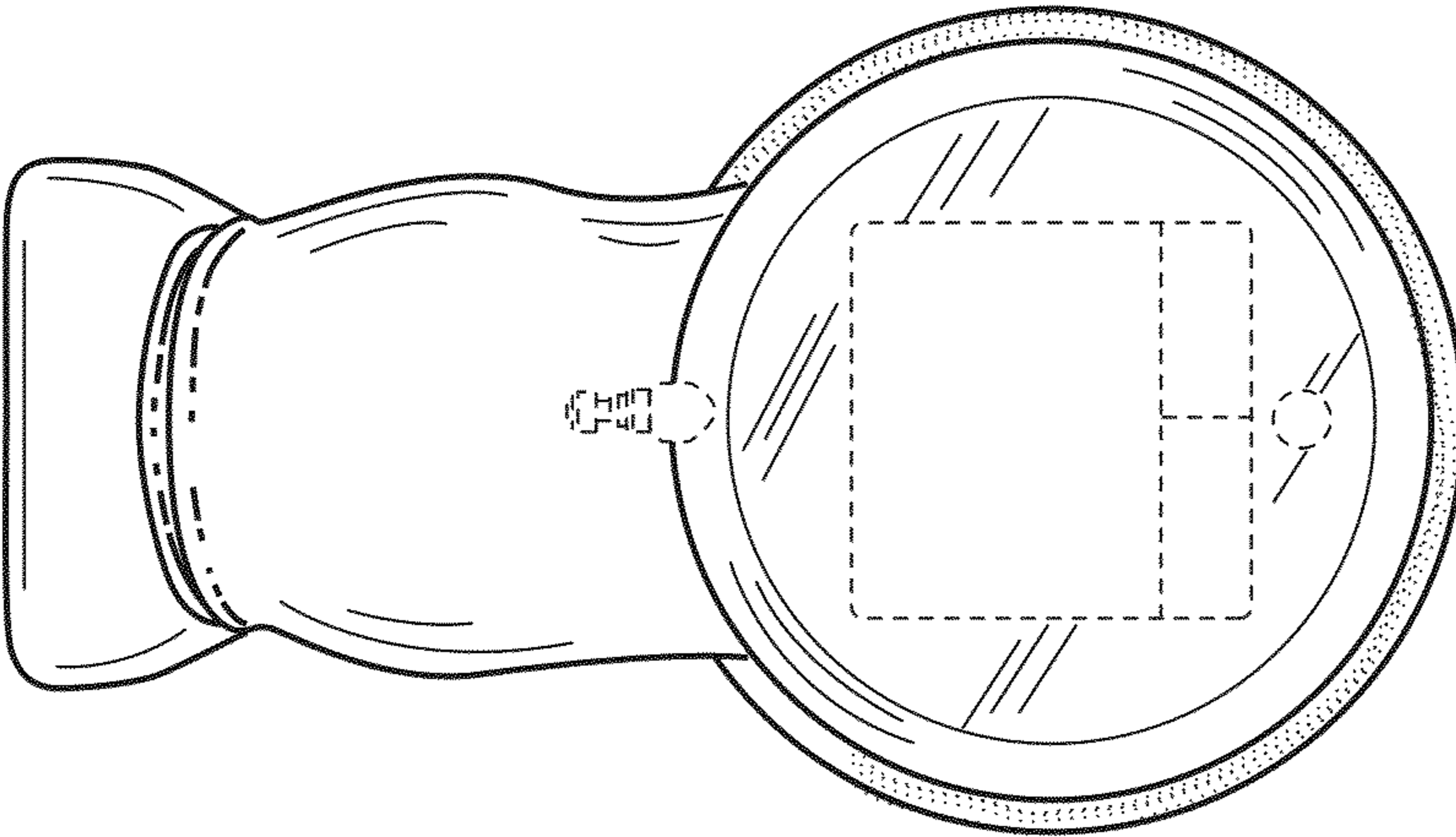


FIG. 7