



US00D685344S

(12) **United States Design Patent**
Merces

(10) **Patent No.:** **US D685,344 S**
(45) **Date of Patent:** **** Jul. 2, 2013**

(54) **ORGANIZER FOR A HEADPHONE WIRE**
(76) Inventor: **James S. Merces**, Huntington Beach, CA
(US)

(**) Term: **14 Years**

(21) Appl. No.: **29/419,742**

(22) Filed: **May 1, 2012**

(51) **LOC (9) Cl.** **14-01**

(52) **U.S. Cl.**
USPC **D14/205**

(58) **Field of Classification Search**
USPC D14/205, 206, 223, 229; 381/370,
381/380, 381; D22/144, 147; D8/356, 358,
D8/394; D3/23; 242/405.1, 405.2, 157 R,
242/222; 43/57.2, 54.1; D2/639; 206/521,
206/521.15; 132/323; 223/35; 434/260;
24/115 R

See application file for complete search history.

(56) **References Cited**

U.S. PATENT DOCUMENTS

773,476	A *	10/1904	Cohn	242/222
897,173	A *	8/1908	Strassberger	242/222
1,755,903	A *	4/1930	Townsend	43/57.1
2,016,181	A *	10/1935	Sharp	242/587.2
2,371,756	A *	3/1945	Gomberg	242/405.1
2,385,197	A *	9/1945	Eisel	434/260
2,470,212	A *	5/1949	Carlson	242/405.1
3,054,277	A *	9/1962	Broschard	66/1 A
3,080,135	A *	3/1963	Steijn	242/157 R
3,090,533	A *	5/1963	Claeys et al.	223/35
3,785,080	A *	1/1974	Wallace	43/54.1
3,827,091	A *	8/1974	Hocevar	66/1 A

D284,299	S *	6/1986	Auerbach et al.	D22/143
4,680,886	A *	7/1987	Caselli, Sr.	43/57.1
D292,370	S *	10/1987	Fairbanks	D8/369
D347,989	S *	6/1994	DeWard	D8/358
D576,867	S *	9/2008	Kretz	D8/356
D596,480	S *	7/2009	Murphy	D8/356
D600,673	S *	9/2009	Kim et al.	D14/205
D603,376	S *	11/2009	Blasko	D14/223
D676,021	S *	2/2013	Stevinson	D14/205
D676,310	S *	2/2013	Lowrance	D8/356

* cited by examiner

Primary Examiner — Paula Greene

(74) *Attorney, Agent, or Firm* — Edwards Wildman Palmer LLP

(57) **CLAIM**

I claim the ornamental design for an organizer for a headphone wire, as shown and described.

DESCRIPTION

FIG. 1 is a top, front perspective view of an organizer for a headphone wire;

FIG. 2 is a bottom view of the organizer in FIG. 1;

FIG. 3 is a top view of the organizer in FIG. 1;

FIG. 4 is a front view of the organizer in FIG. 1;

FIG. 5 is a rear view of the organizer in FIG. 1;

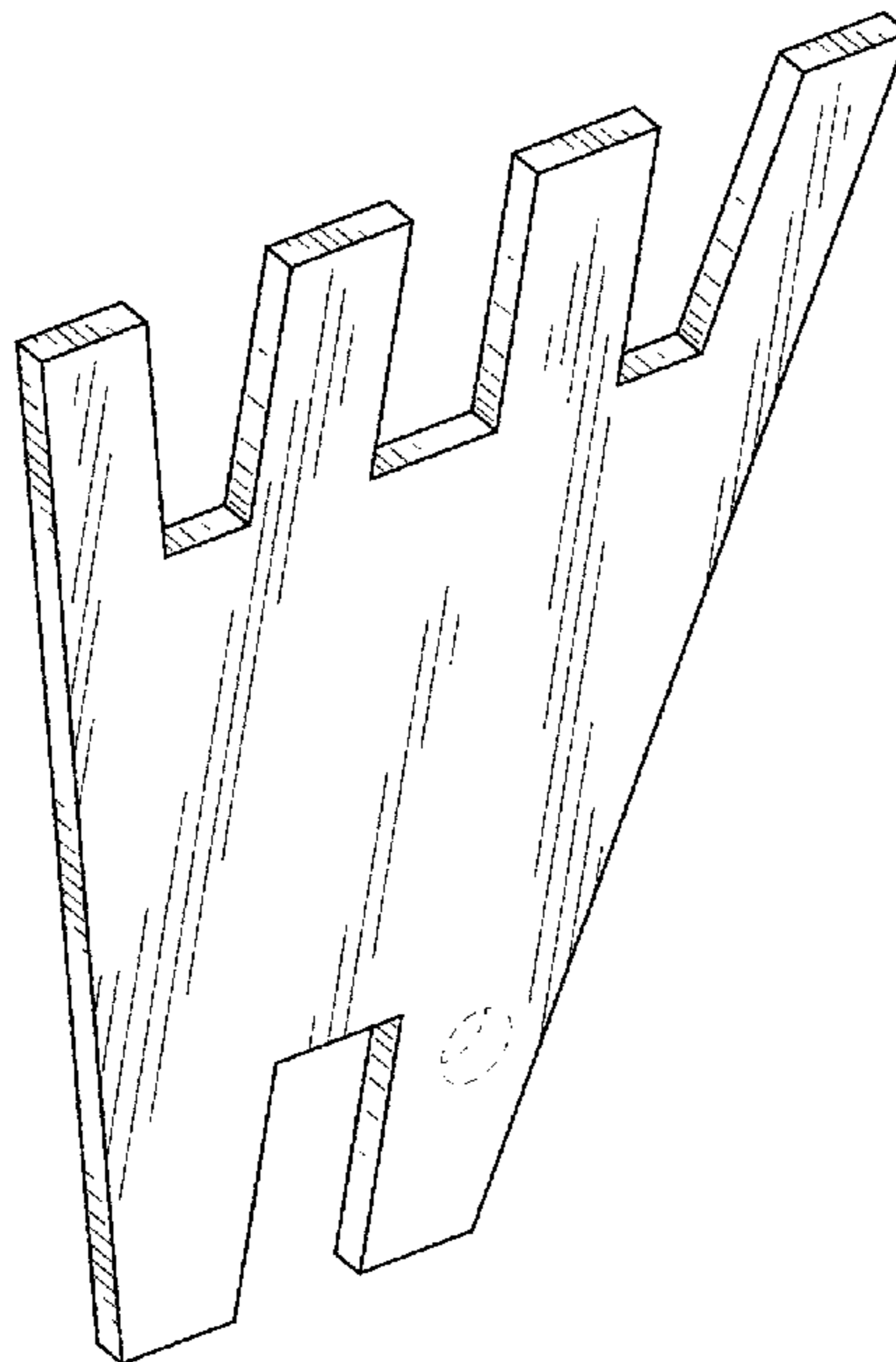
FIG. 6 is a right side view of the organizer in FIG. 1;

FIG. 7 is a left side view of the organizer in FIG. 1; and,

FIG. 8 is a top, front perspective view of the organizer in FIG. 1 shown with exemplary environment such as a headphone and associated wire.

Portions of the organizer for a headphone wire and any exemplary environment shown in broken lines are for illustrative purposes only and form no part of the claimed design.

1 Claim, 3 Drawing Sheets



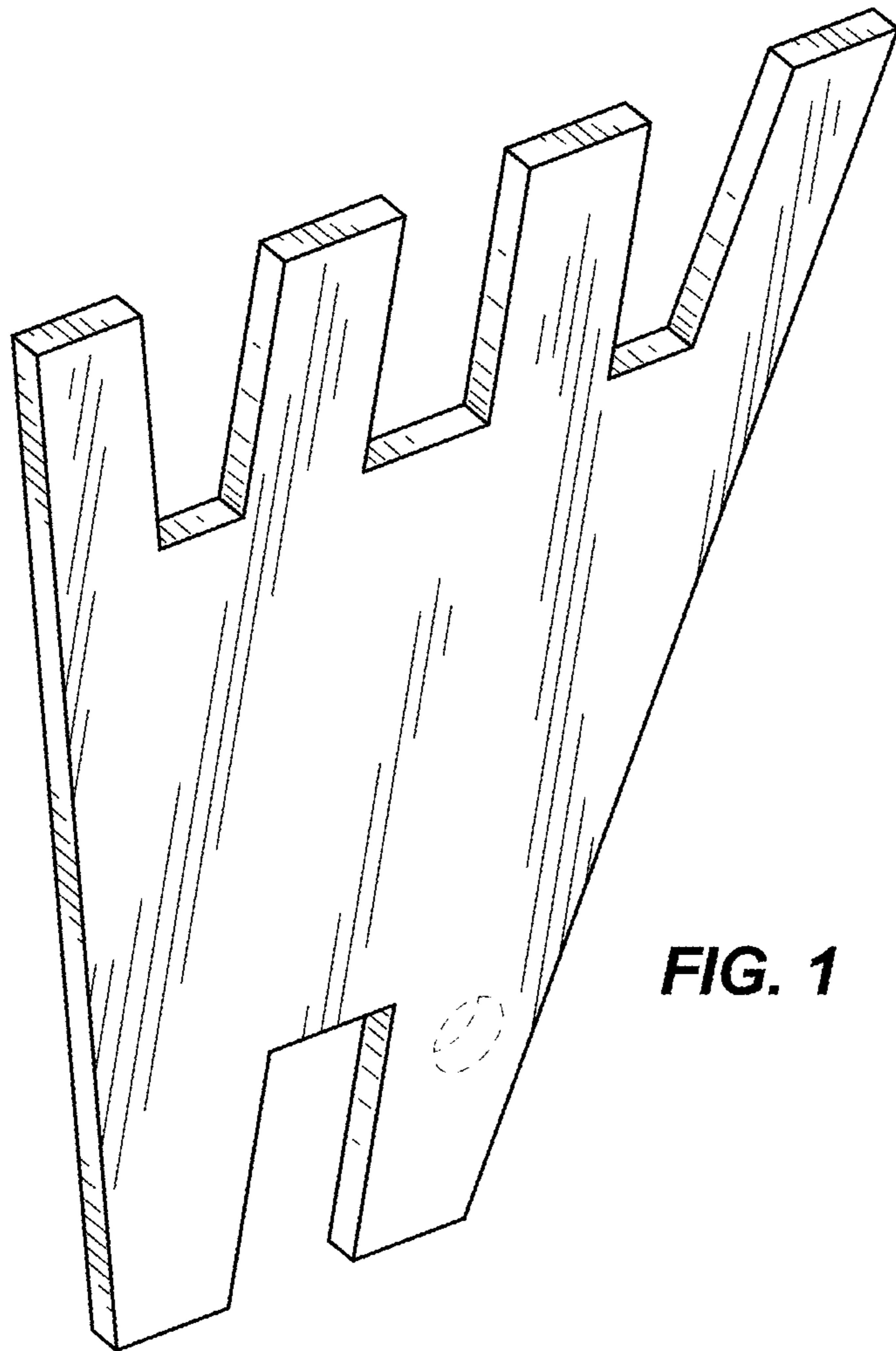


FIG. 1

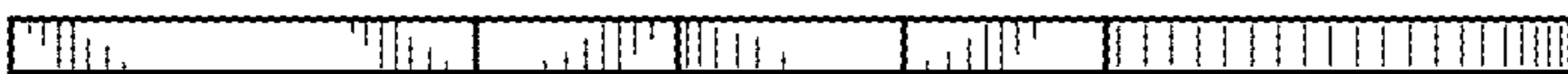


FIG. 2



FIG. 3

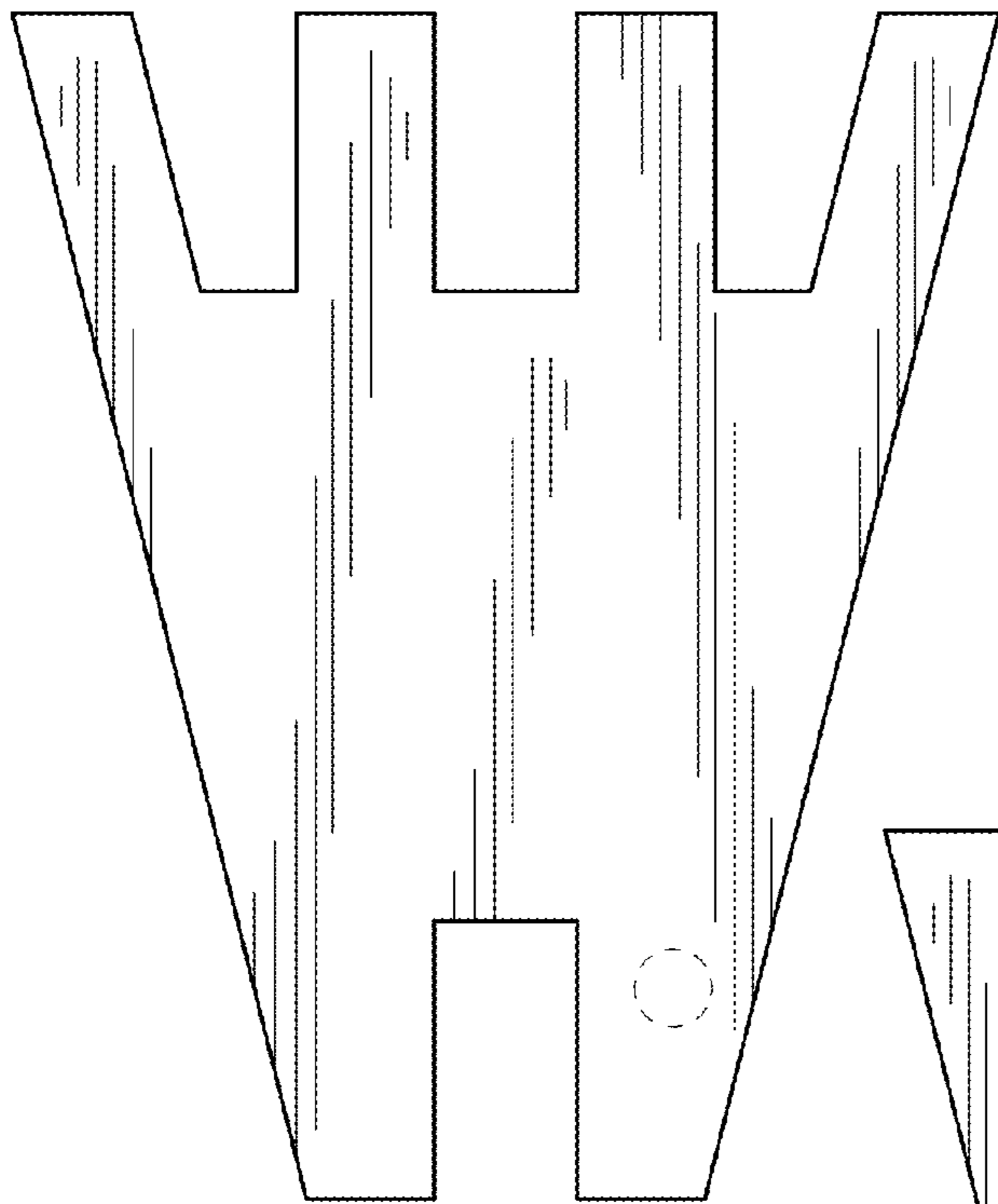


FIG. 4

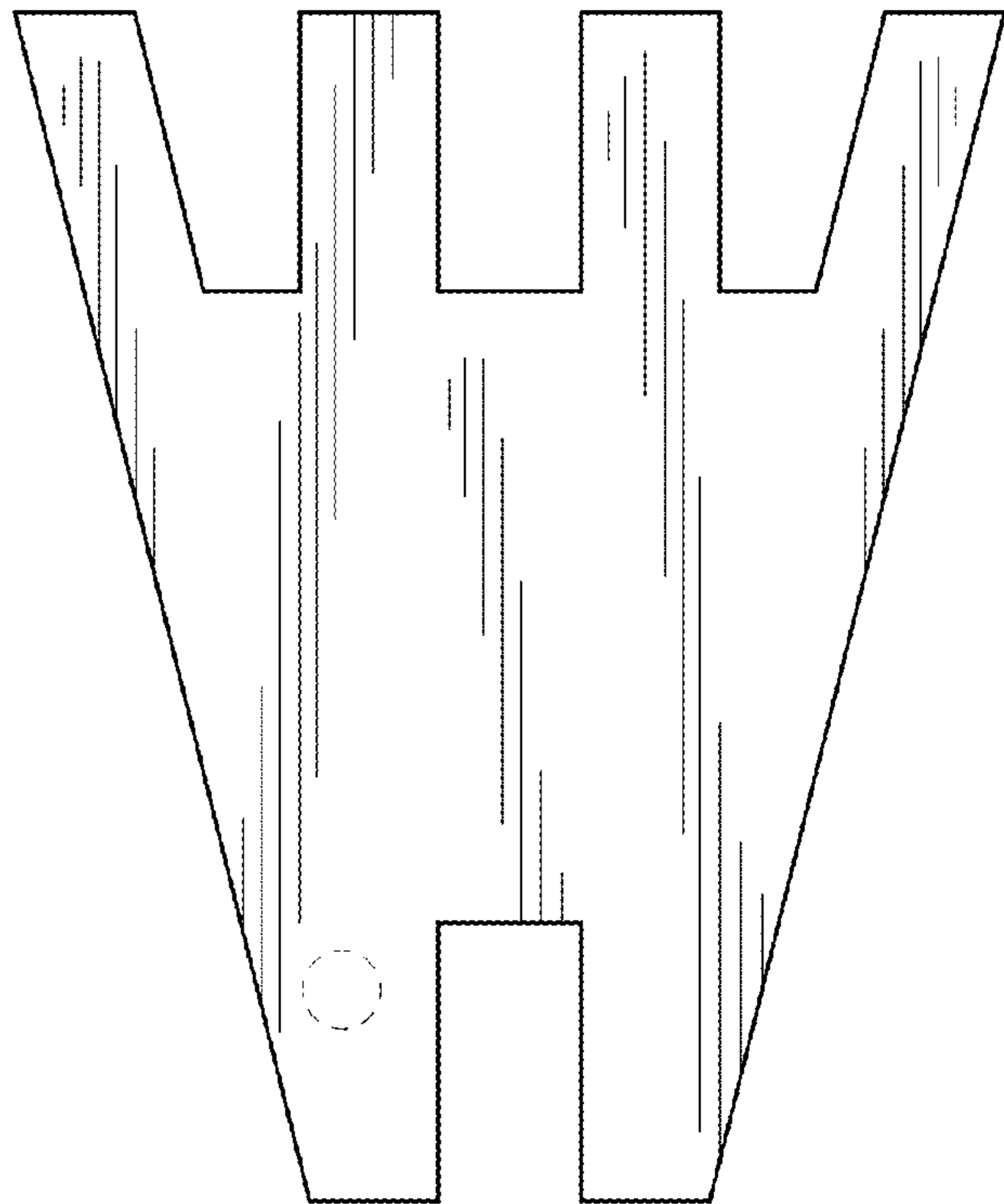


FIG. 5



FIG. 6



FIG. 7

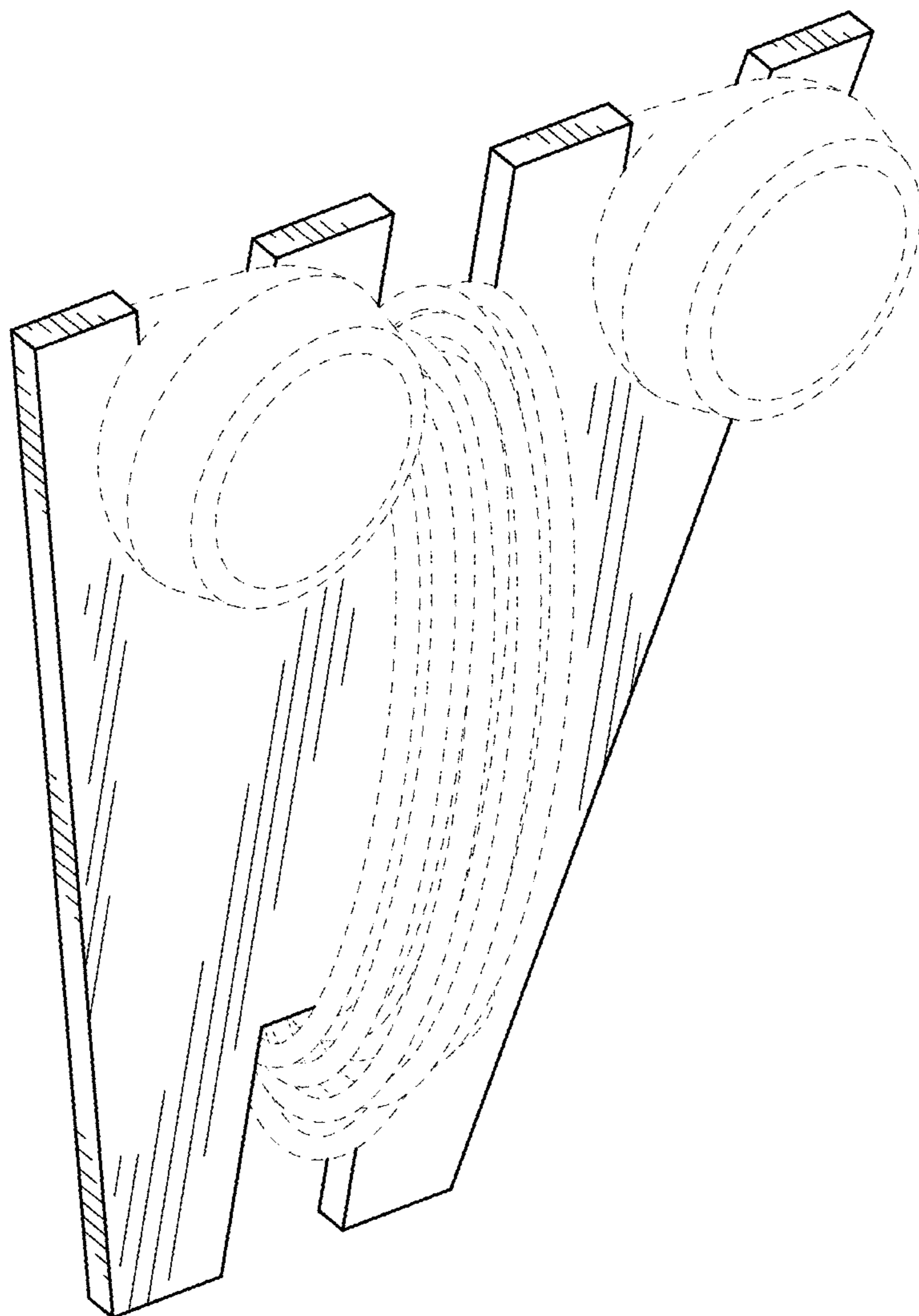


FIG. 8