



US00D685341S

(12) **United States Design Patent**
Cetera et al.

(10) **Patent No.:** **US D685,341 S**
(45) **Date of Patent:** **** Jul. 2, 2013**

(54) **AUDIO BROCHURE**

(75) Inventors: **Carl Cetera**, Westfield, NJ (US);
Christon G. Suess, Bergenfield, NJ (US)

(73) Assignee: **Cotapaxi Custom Design and Manufacturing LLC**, Carlstadt, NJ (US)

(**) Term: **14 Years**

(21) Appl. No.: **29/421,311**

(22) Filed: **Jul. 2, 2012**

(51) **LOC (9) Cl.** **14-03**

(52) **U.S. Cl.**
USPC **D14/203.4; D14/496**

(58) **Field of Classification Search**
USPC D14/496, 401, 435, 474, 483, 217,
D14/137, 138, 160, 168, 356; 345/156, 169,
345/173-179, 905; 715/727-729, 864; 710/1,
710/5, 8; 713/1, 600; 455/11, 1.7, 73, 344-348,
455/93, 95, 3.01-3.06, 550.1, 573.1;
370/342-344; 369/1, 2, 6, 12; 463/43-47;
273/148 B

See application file for complete search history.

(56) **References Cited**

U.S. PATENT DOCUMENTS

3,592,289	A *	7/1971	Aysta et al.	160/135
5,214,514	A *	5/1993	Haberkern	386/359
6,189,994	B1 *	2/2001	Asai	347/19
6,353,529	B1 *	3/2002	Cies	361/679.05
6,684,089	B1 *	1/2004	Lee	455/575.3
D526,662	S *	8/2006	Choi	D14/496
7,233,319	B2 *	6/2007	Johnson et al.	345/166
D594,028	S *	6/2009	Fuchsberg et al.	D14/496
D609,203	S *	2/2010	Birsel et al.	D14/138 R
D664,602	S *	7/2012	Chiu et al.	D21/333

* cited by examiner

Primary Examiner — Prabhakar Deshmukh

(74) *Attorney, Agent, or Firm* — Steven E. Shapiro

(57) **CLAIM**

The ornamental design for an audio brochure, as shown and described.

DESCRIPTION

FIG. 1 is a perspective view of an audio brochure;
FIG. 2 is a front view of the audio brochure;
FIG. 3 is a rear view of the audio brochure;
FIG. 4 is a bottom view of the audio brochure;
FIG. 5 is a top view of the audio brochure;
FIG. 6 is a right side view of the audio brochure; and,
FIG. 7 is a left side view of the audio brochure.

1 Claim, 2 Drawing Sheets

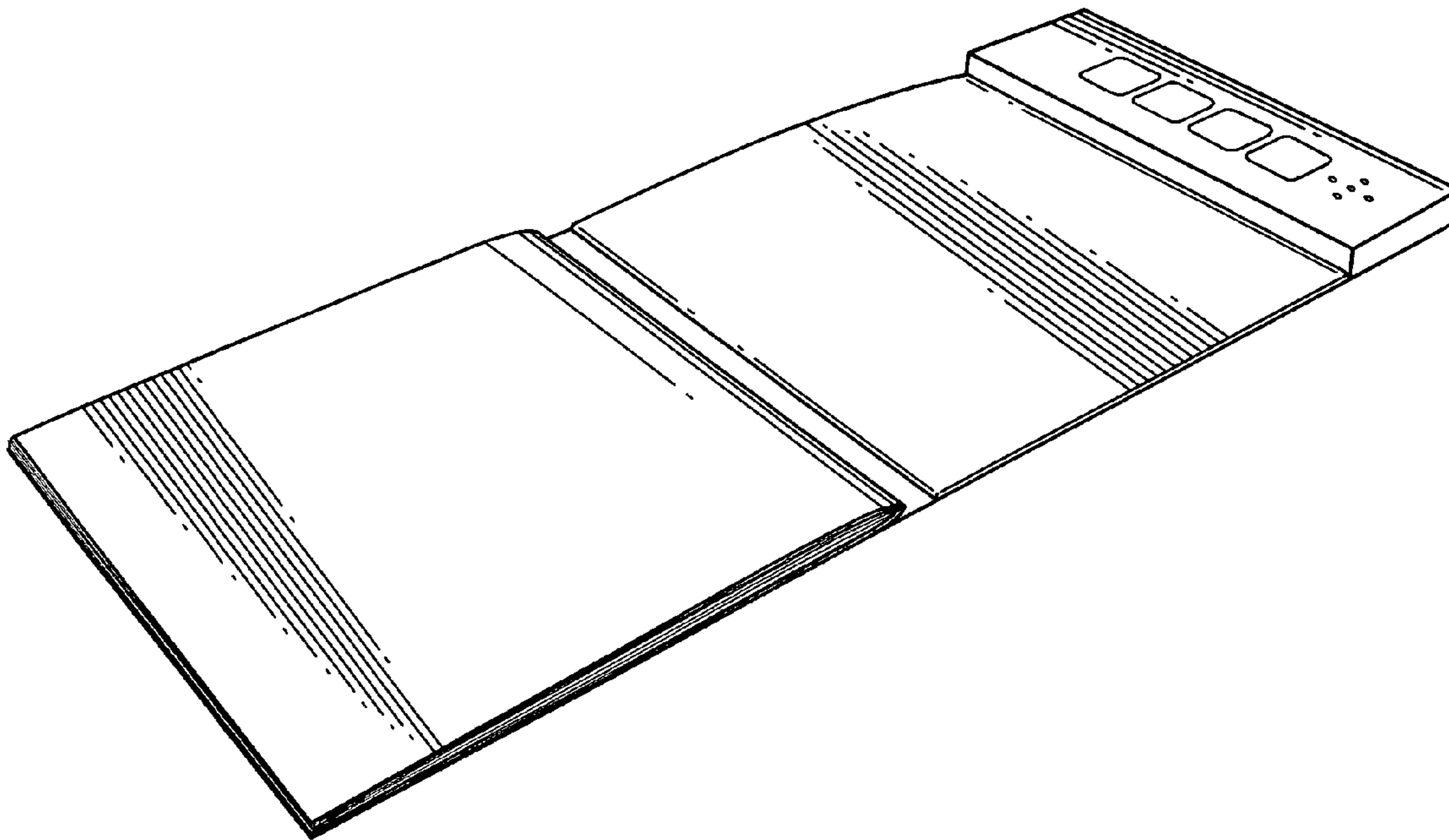


Fig. 1

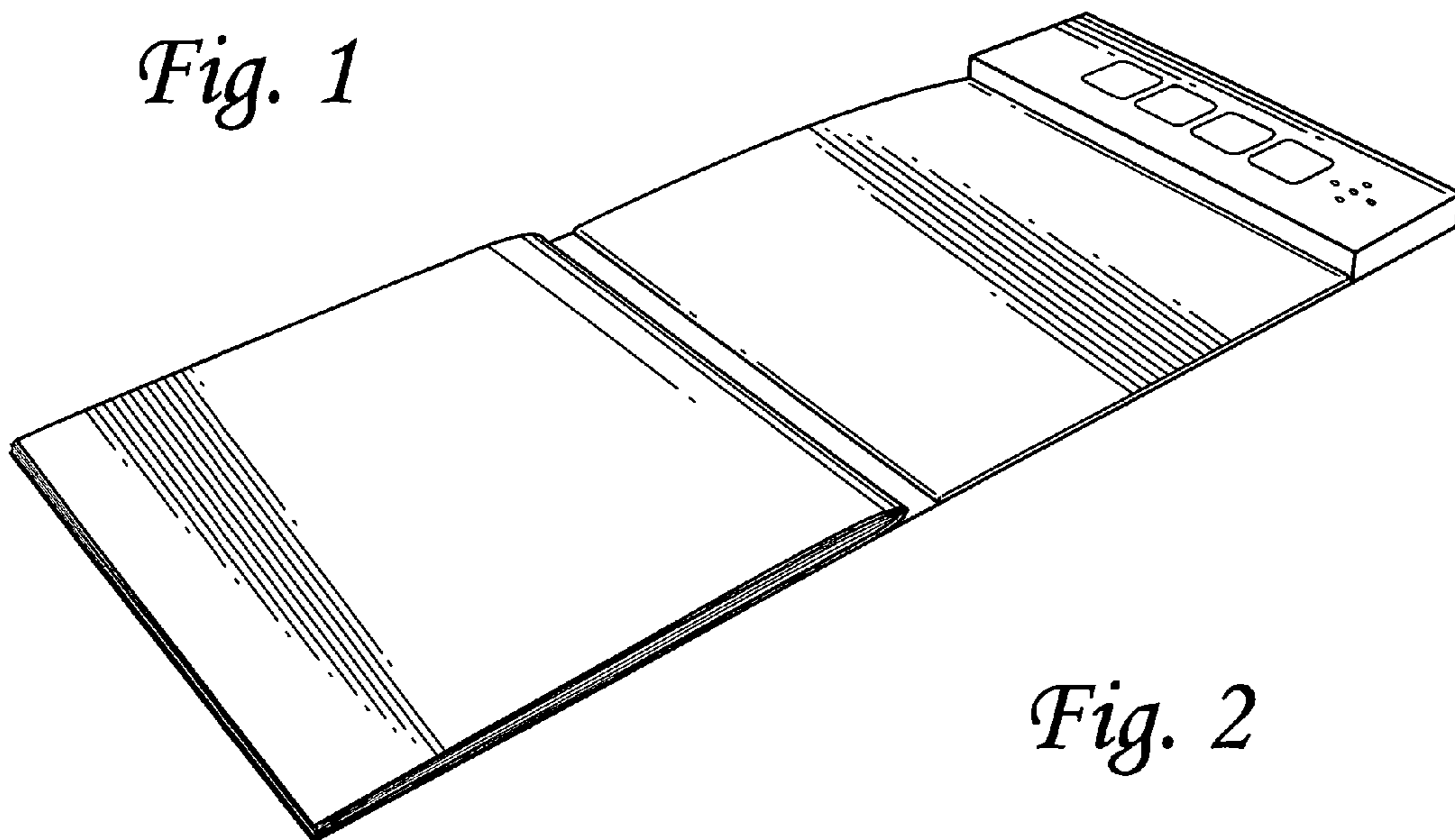
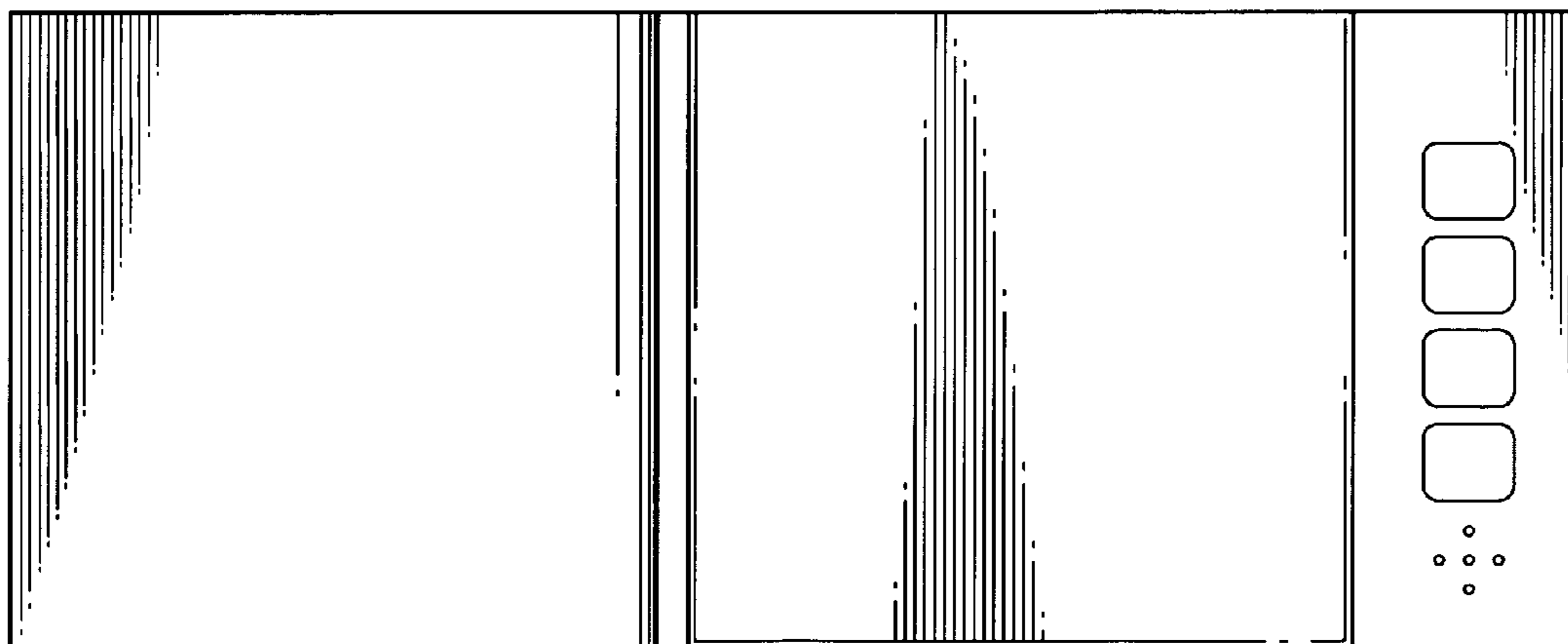


Fig. 2



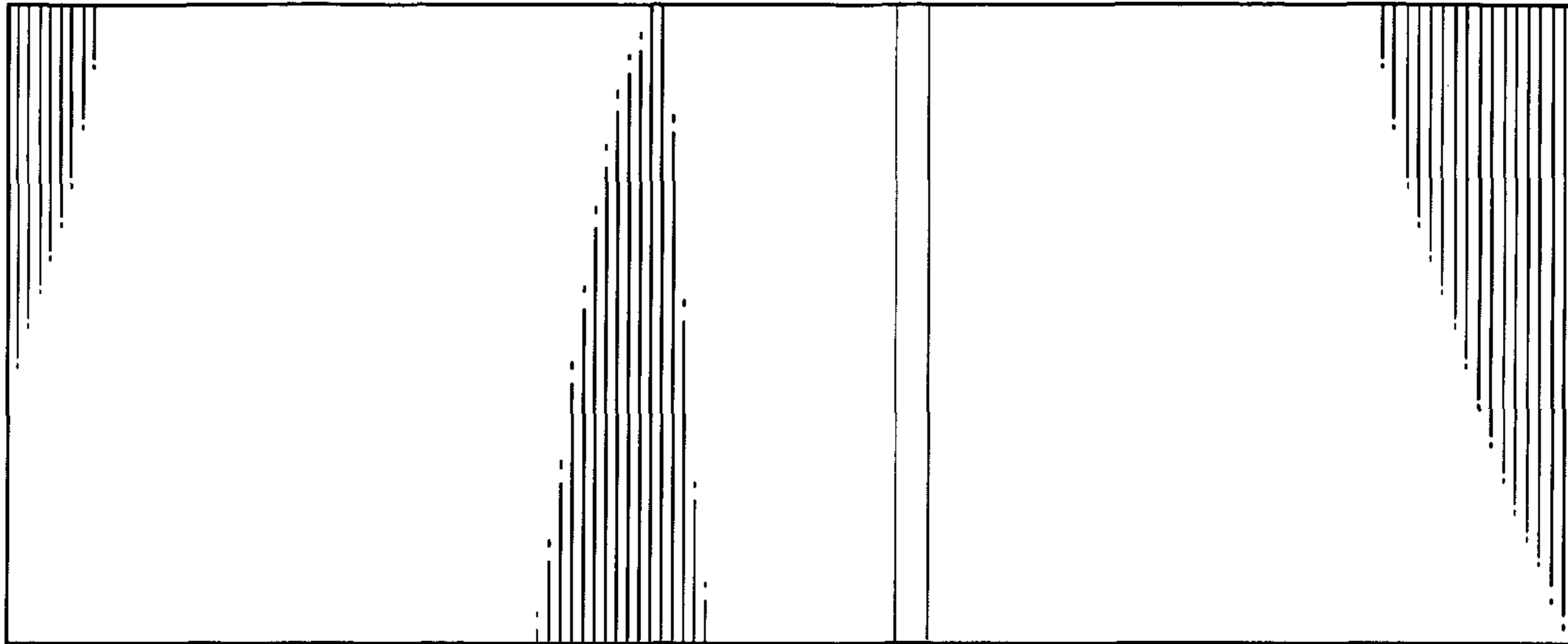


Fig. 3

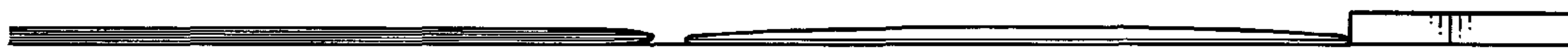


Fig. 4



Fig. 5

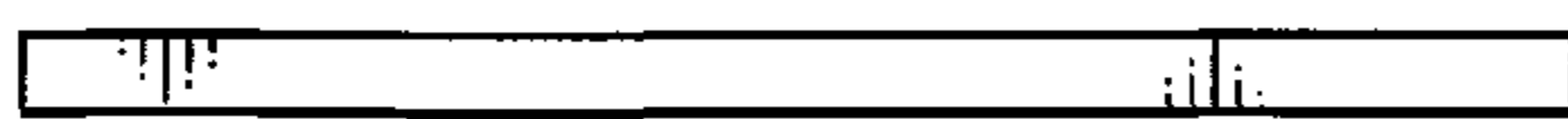


Fig. 6



Fig. 7