



US00D685340S

(12) **United States Design Patent**
Aber et al.

(10) **Patent No.:** **US D685,340 S**

(45) **Date of Patent:** **** Jul. 2, 2013**

(54) **WIRELESS POWER TRANSMITTER**

(71) Applicant: **EverHeart Systems, Inc.**, Webster, TX (US)

(72) Inventors: **Greg S. Aber**, Houston, TX (US); **Allan S. Rhoades**, Galveston, TX (US)

(73) Assignee: **EverHeart Systems Inc.**, Webster, TX (US)

(**) Term: **14 Years**

(21) Appl. No.: **29/446,489**

(22) Filed: **Feb. 25, 2013**

(51) **LOC (9) Cl.** **14-03**

(52) **U.S. Cl.**
USPC **D14/155**

(58) **Field of Classification Search**
USPC D14/167, 154, 168, 188, 496, 156,
D14/160, 161, 162, 163, 164, 165, 158, 341,
D14/346, 342, 345, 375, 155, 218, 225;
D16/208; D26/38; 455/351, 350, 575.1, 556.1;
D10/104, 106, 65, 57; D6/675.1, 672; 312/223.2
See application file for complete search history.

(56) **References Cited**

U.S. PATENT DOCUMENTS

D324,143 S * 2/1992 Hammond D6/474
D357,468 S * 4/1995 Rodd D14/375
D417,980 S * 12/1999 Fraquelli et al. D6/480

6,657,853 B2 * 12/2003 Oba et al. 312/223.2
D528,534 S * 9/2006 Farnsworth et al. D14/159
D584,076 S * 1/2009 Stengel D6/449
D596,420 S * 7/2009 Yoshida D6/396
D677,075 S * 3/2013 Rodgers et al. D6/672
2008/0034631 A1 * 2/2008 Kim et al. 40/607.04

* cited by examiner

Primary Examiner — Austin Murphy

(74) *Attorney, Agent, or Firm* — Winstead PC

(57) **CLAIM**

We claim the ornamental design for a wireless power transmitter, as shown and described.

DESCRIPTION

FIG. 1 shows a perspective view of a wireless power transmitter;

FIG. 2 shows a front view thereof;

FIG. 3 shows a left side view thereof;

FIG. 4 shows a right side view thereof;

FIG. 5 shows a rear view thereof;

FIG. 6 shows a top view thereof;

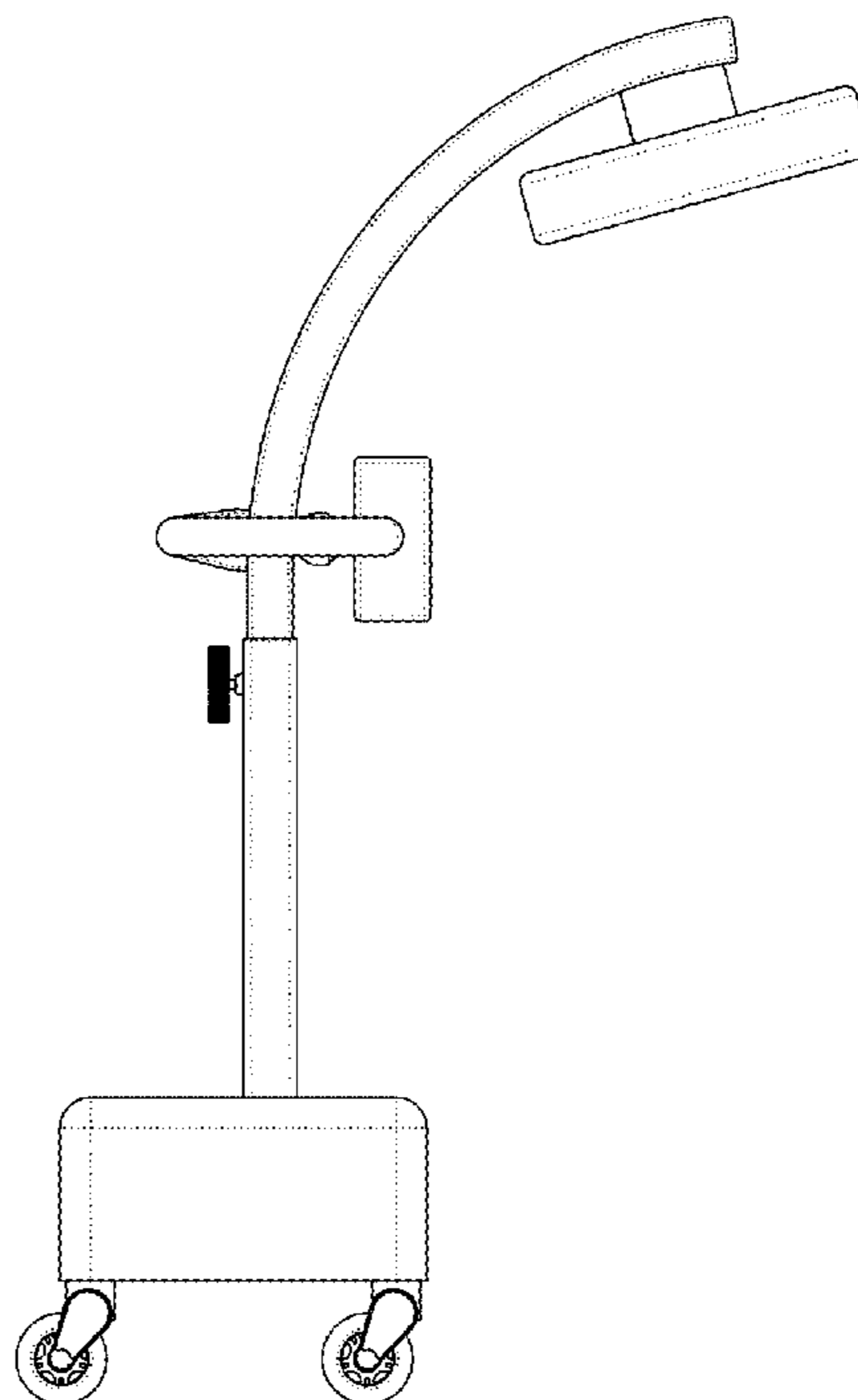
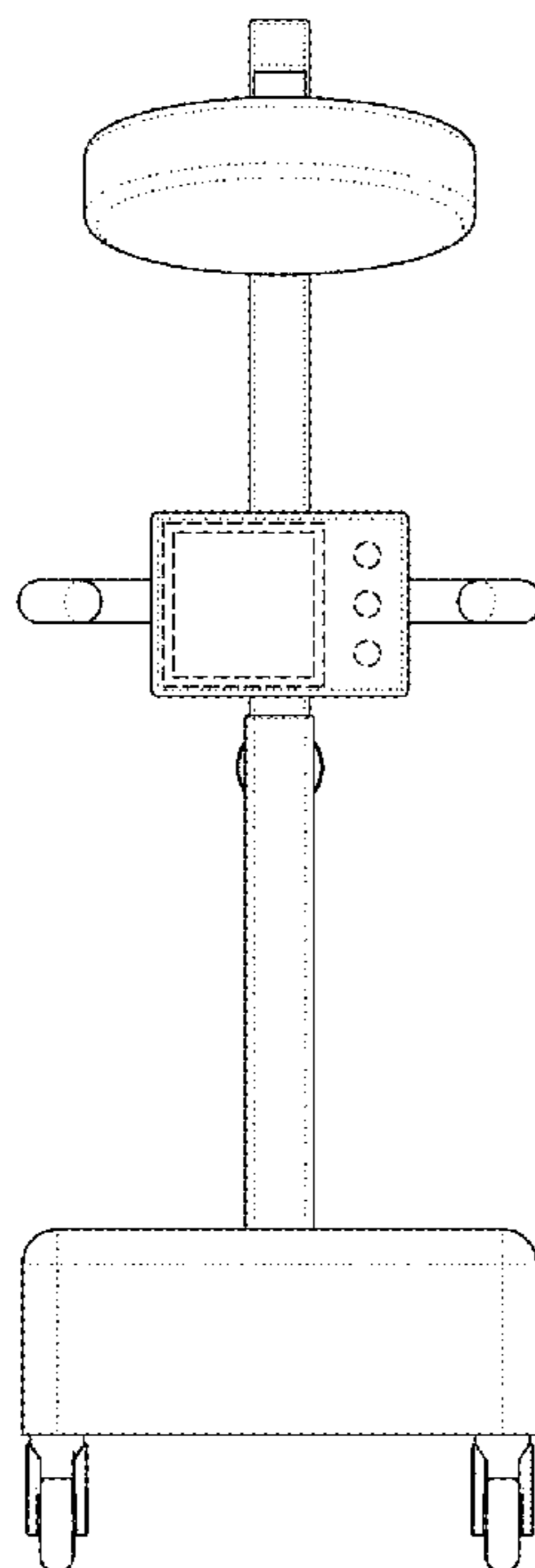
FIG. 7 shows a bottom view thereof;

FIG. 8 shows a left side view thereof in a fully extended position; and,

FIG. 9 shows a left side view thereof in a fully retracted position.

The dashed lines are for the purpose of illustrating portions of the wireless power transmitter and form no part of the claimed design. The dotted lines on the surface portions indicate contour and not surface decoration.

1 Claim, 9 Drawing Sheets



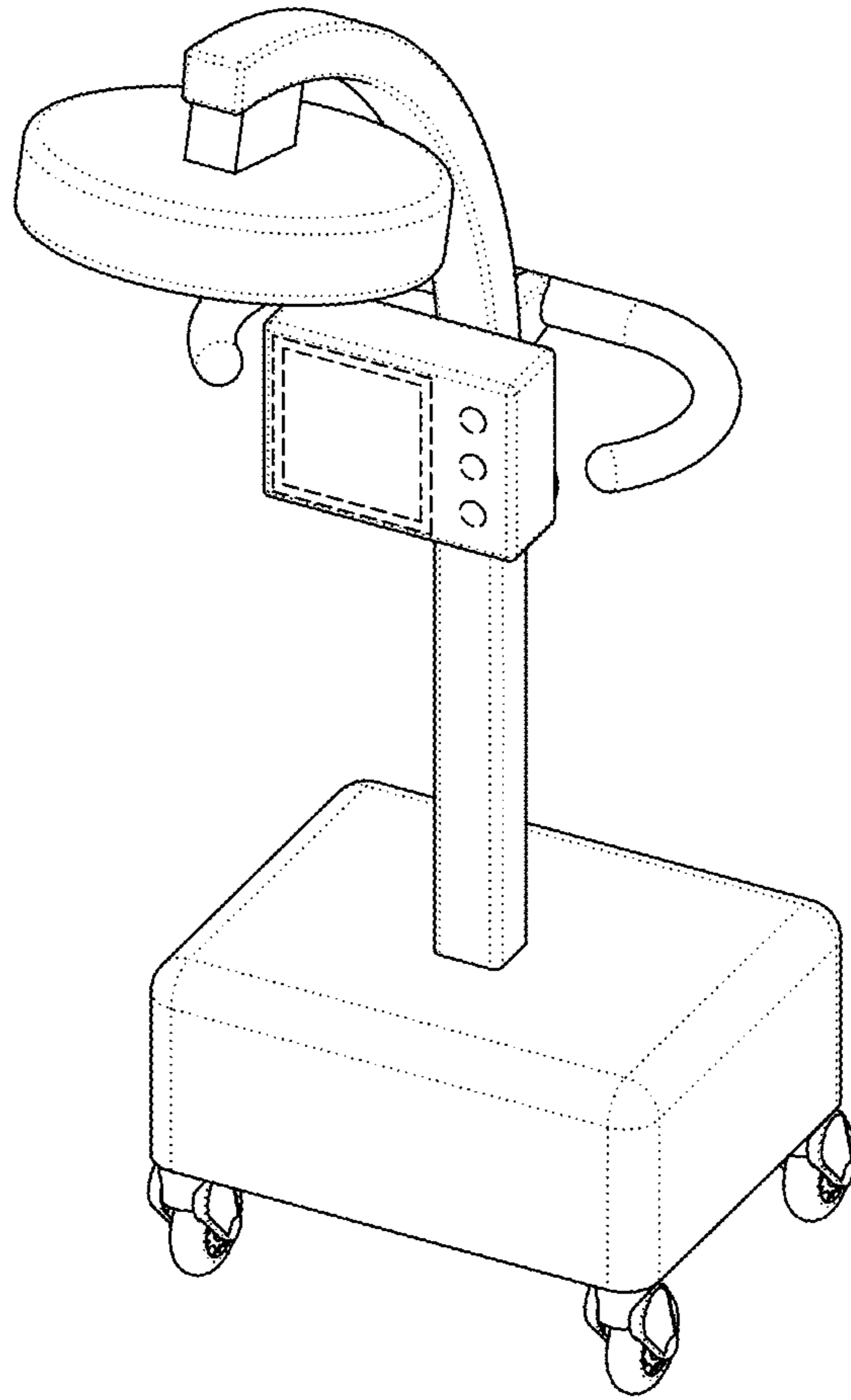


FIG. 1

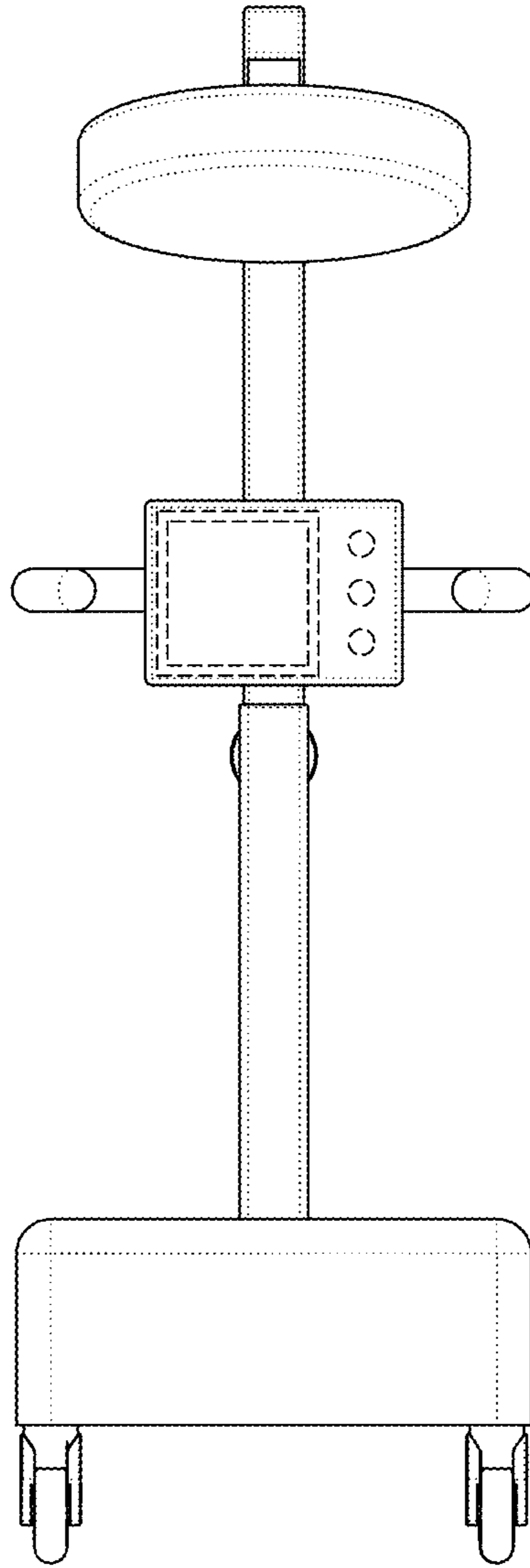


FIG. 2

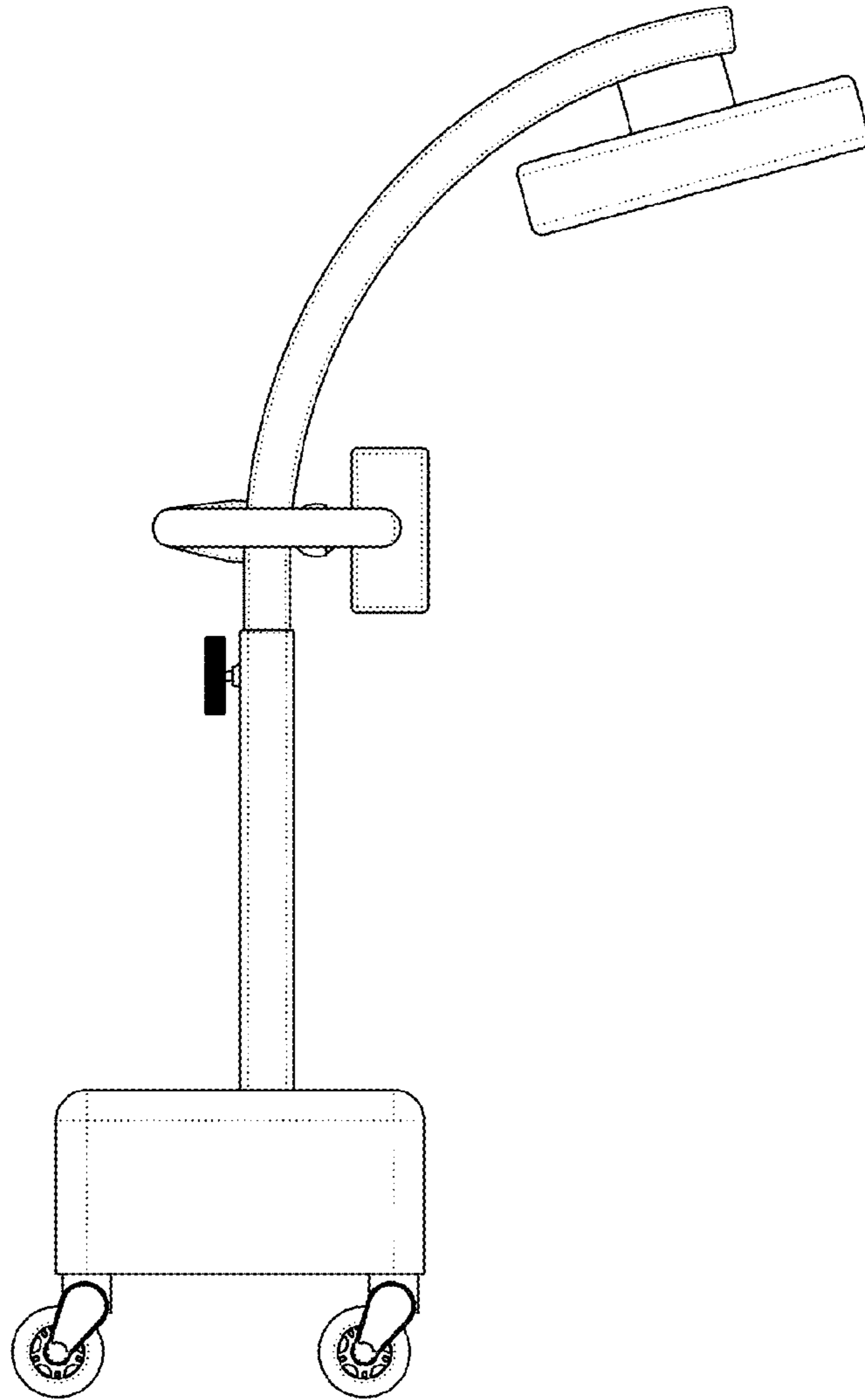


FIG. 3

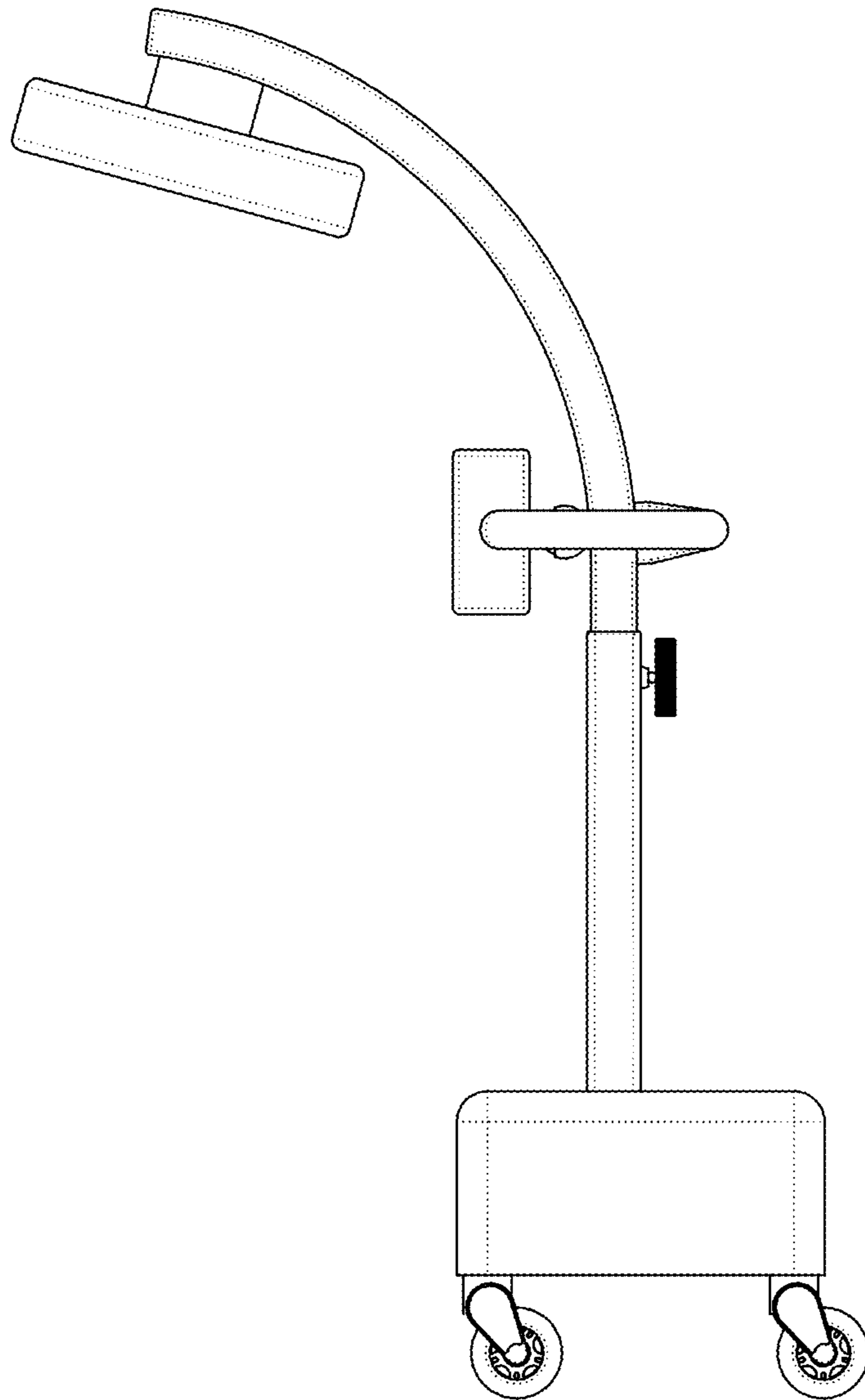


FIG. 4

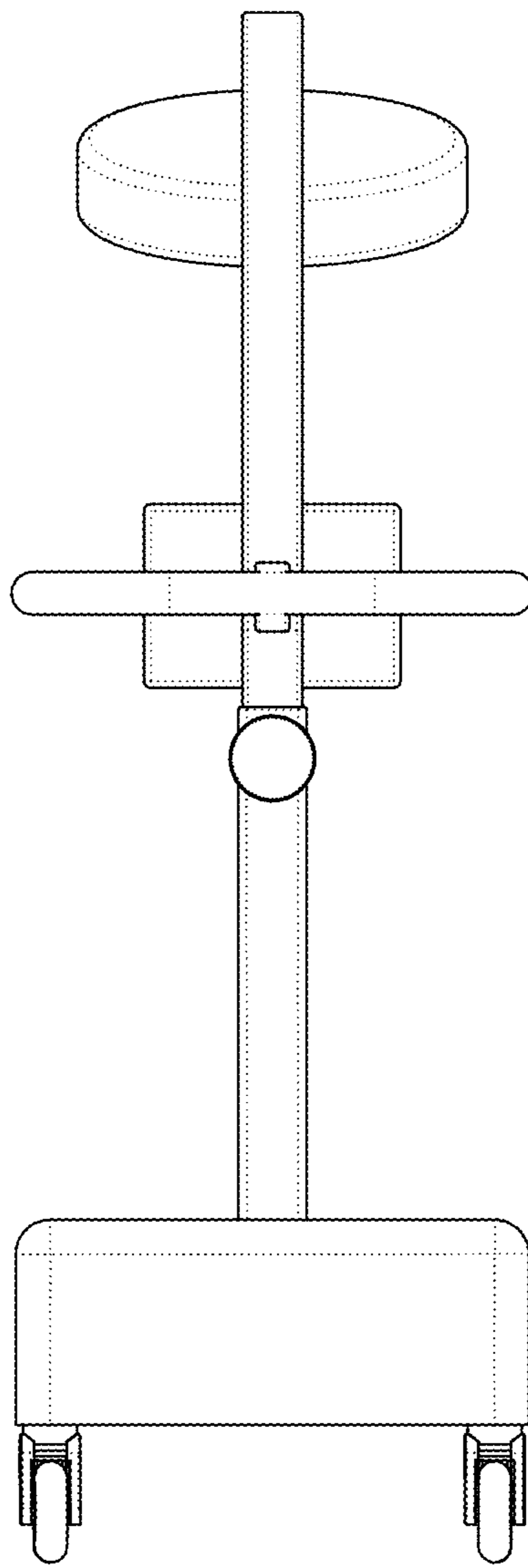


FIG. 5

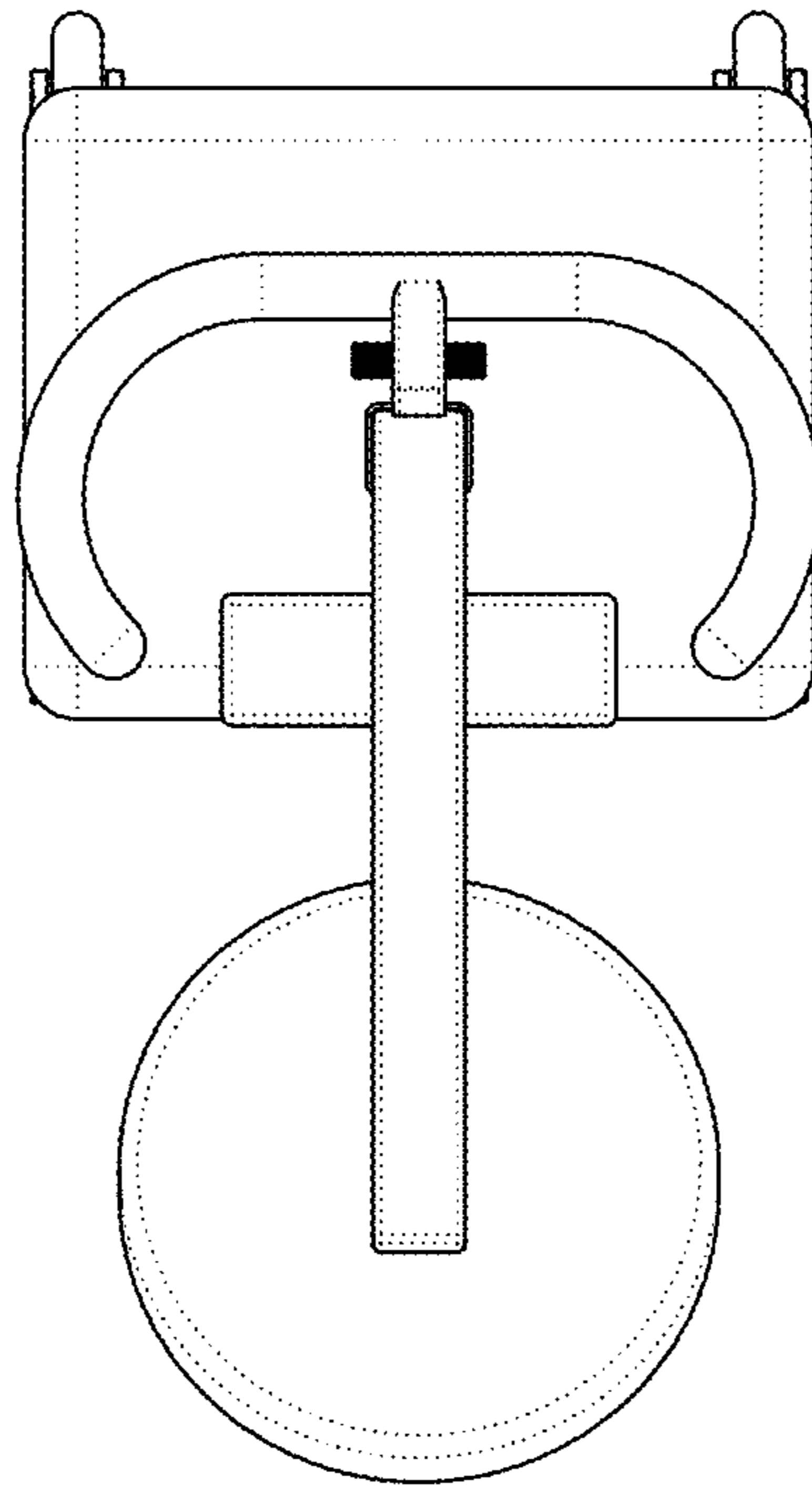


FIG. 6

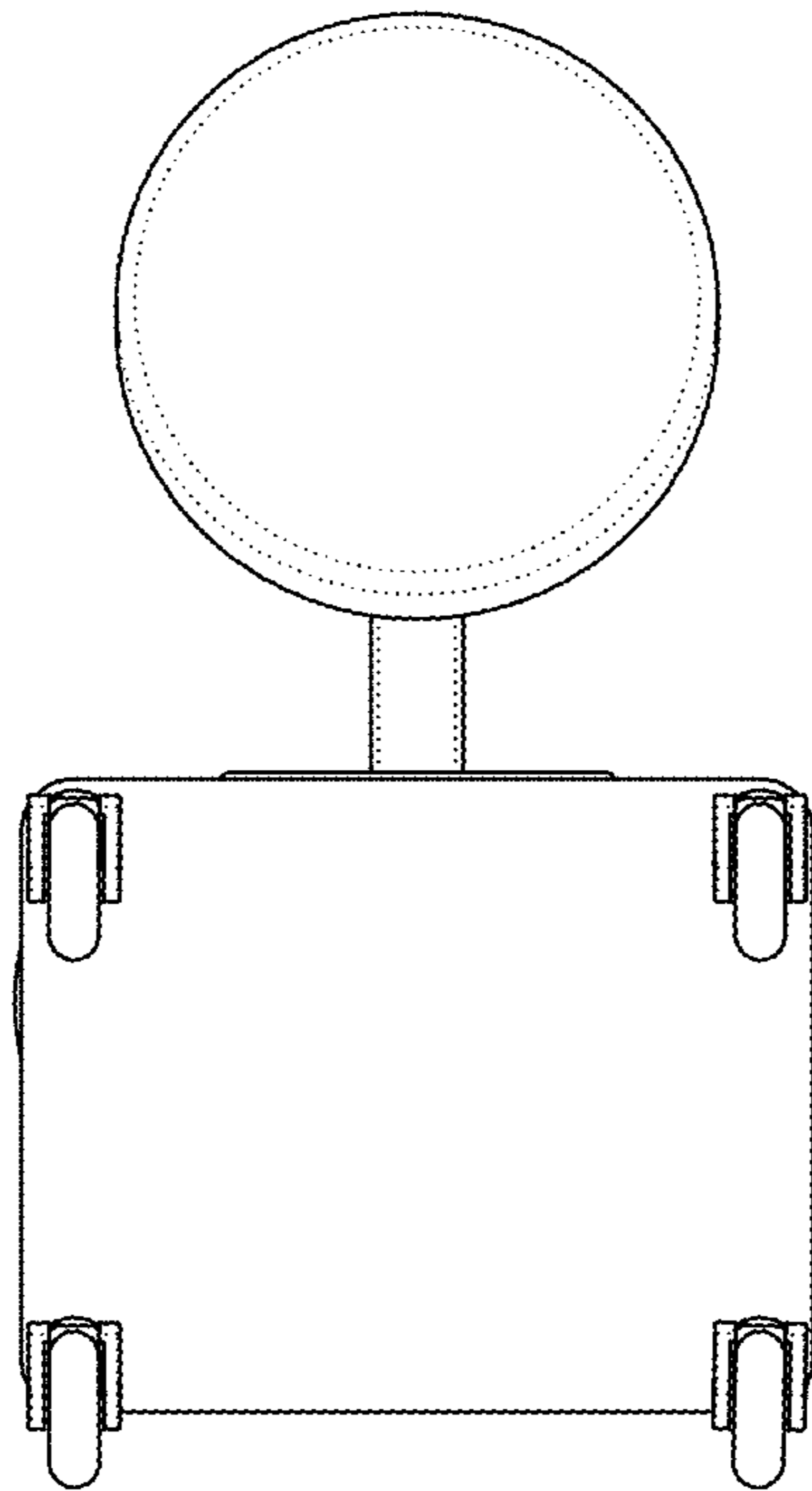


FIG. 7

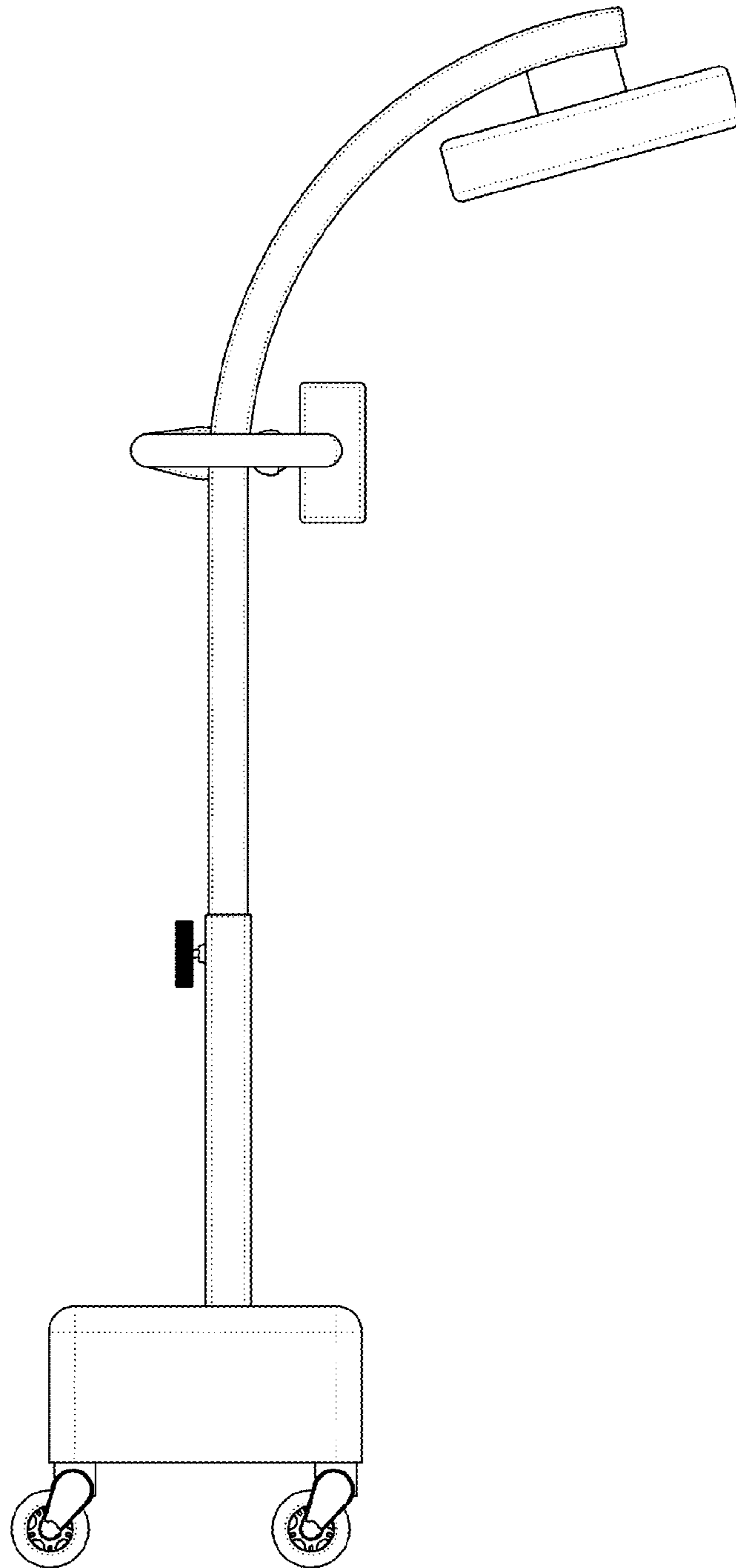


FIG. 8

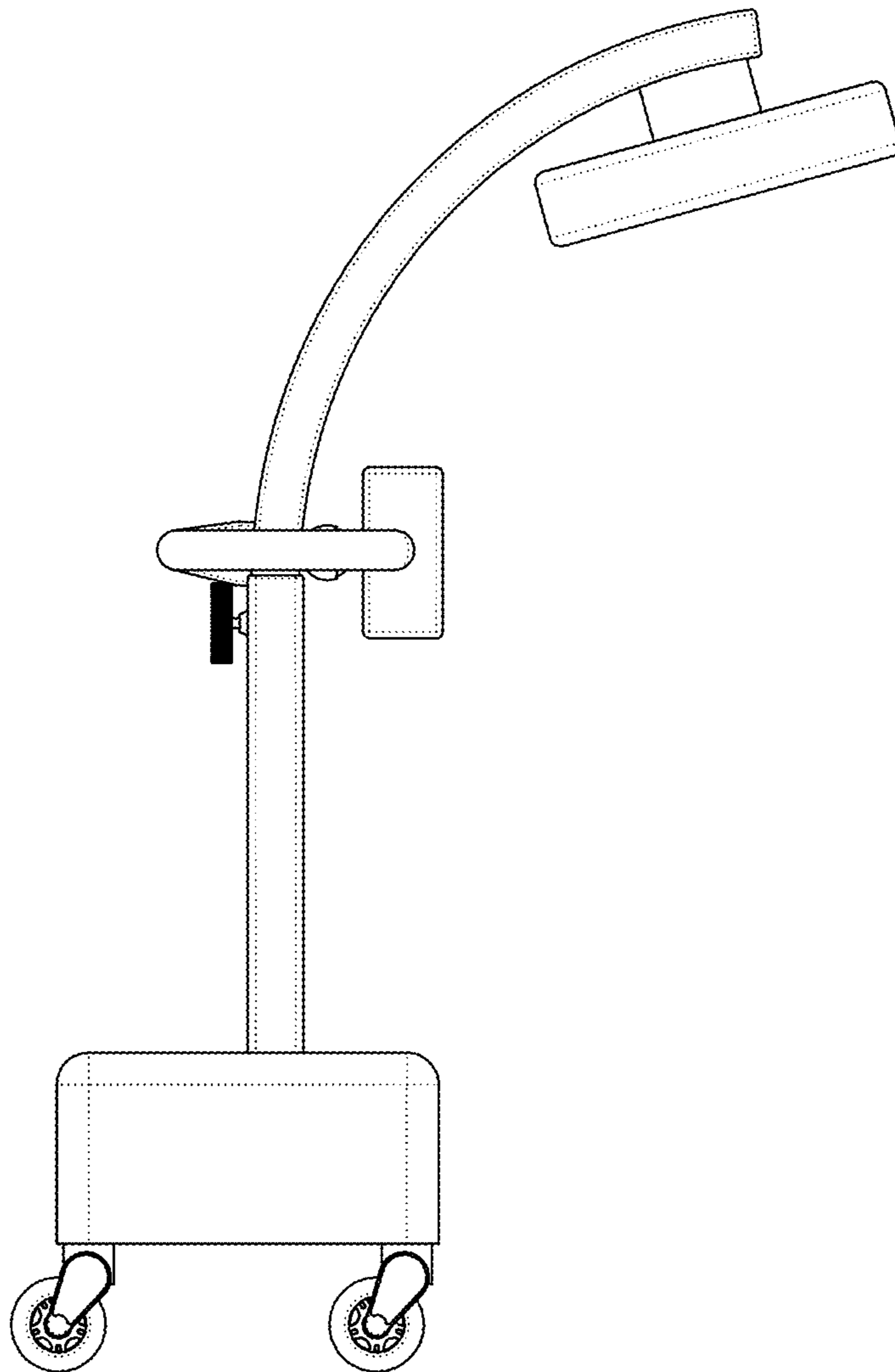


FIG. 9