



US00D685339S

(12) **United States Design Patent**
Park et al.

(10) **Patent No.:** **US D685,339 S**

(45) **Date of Patent:** **** Jul. 2, 2013**

(54) **SPEAKERPHONE**

(75) Inventors: **Jae Jun Park**, Lincoln, RI (US); **Paul Williamson**, Providence, RI (US)

(73) Assignee: **inMusic Brands, Inc.**, Cumberland, RI (US)

(*) Notice: This patent is subject to a terminal disclaimer.

(**) Term: **14 Years**

(21) Appl. No.: **29/389,141**

(22) Filed: **Apr. 7, 2011**

(51) **LOC (9) Cl.** **14-03**

(52) **U.S. Cl.**
USPC **D14/142**

(58) **Field of Classification Search**
USPC D14/142, 144, 145, 147, 148, 149,
D14/159, 243, 130, 251, 253; 379/202.01,
379/420.01, 420.02, 420.03, 428.02; 455/416
See application file for complete search history.

(56) **References Cited**

U.S. PATENT DOCUMENTS

D320,991 S * 10/1991 Nagai et al. D14/251
D378,089 S * 2/1997 Biskup et al. D14/149

D386,495 S * 11/1997 Schmoll D14/149
D512,418 S * 12/2005 Sarasjoki D14/253
D638,818 S * 5/2011 Fleming et al. D14/145

* cited by examiner

Primary Examiner — Sheryl Lane

(74) *Attorney, Agent, or Firm* — Finnegan, Henderson, Farabow, Garrett, and Dunner, LLP

(57) **CLAIM**

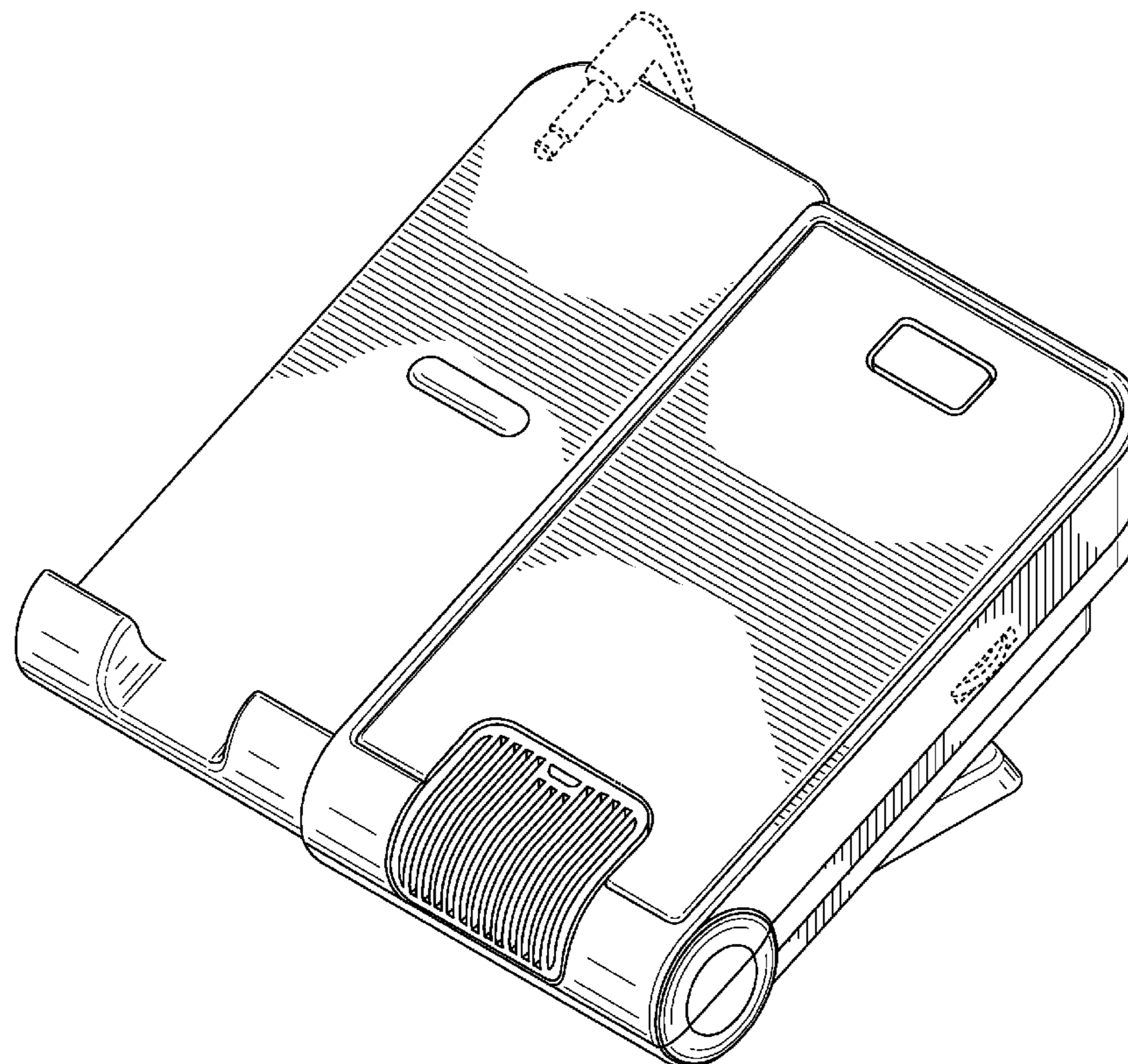
We claim the ornamental design for a speakerphone, as shown and described.

DESCRIPTION

FIG. 1 is a front and left side perspective view of a speakerphone showing our new design; FIG. 2 is a front elevation view thereof; FIG. 3 is a rear elevation view thereof; FIG. 4 is a top view thereof; FIG. 5 is a bottom view thereof; FIG. 6 is a left side elevation view thereof; FIG. 7 is a right side elevation view thereof; and, FIG. 8 is a perspective view of thereof; the wireless phone depicted in broken lines in the cradle of the speakerphone is for environmental purposes only and forms no part of the claimed design.

The other elements depicted in broken lines in the various figures are included for environmental purposes only, and form no part of the claimed design.

1 Claim, 8 Drawing Sheets



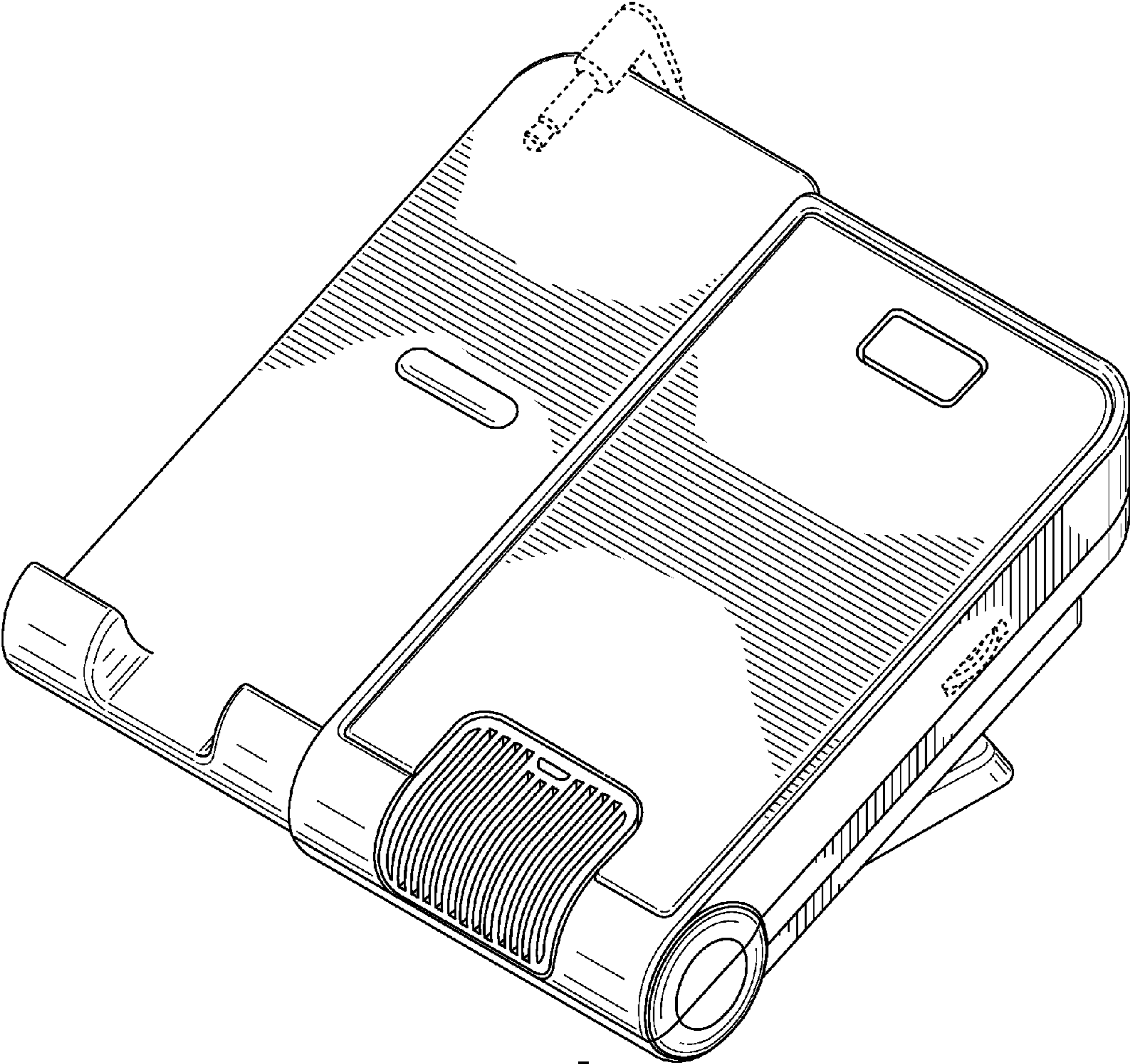


FIG. 1

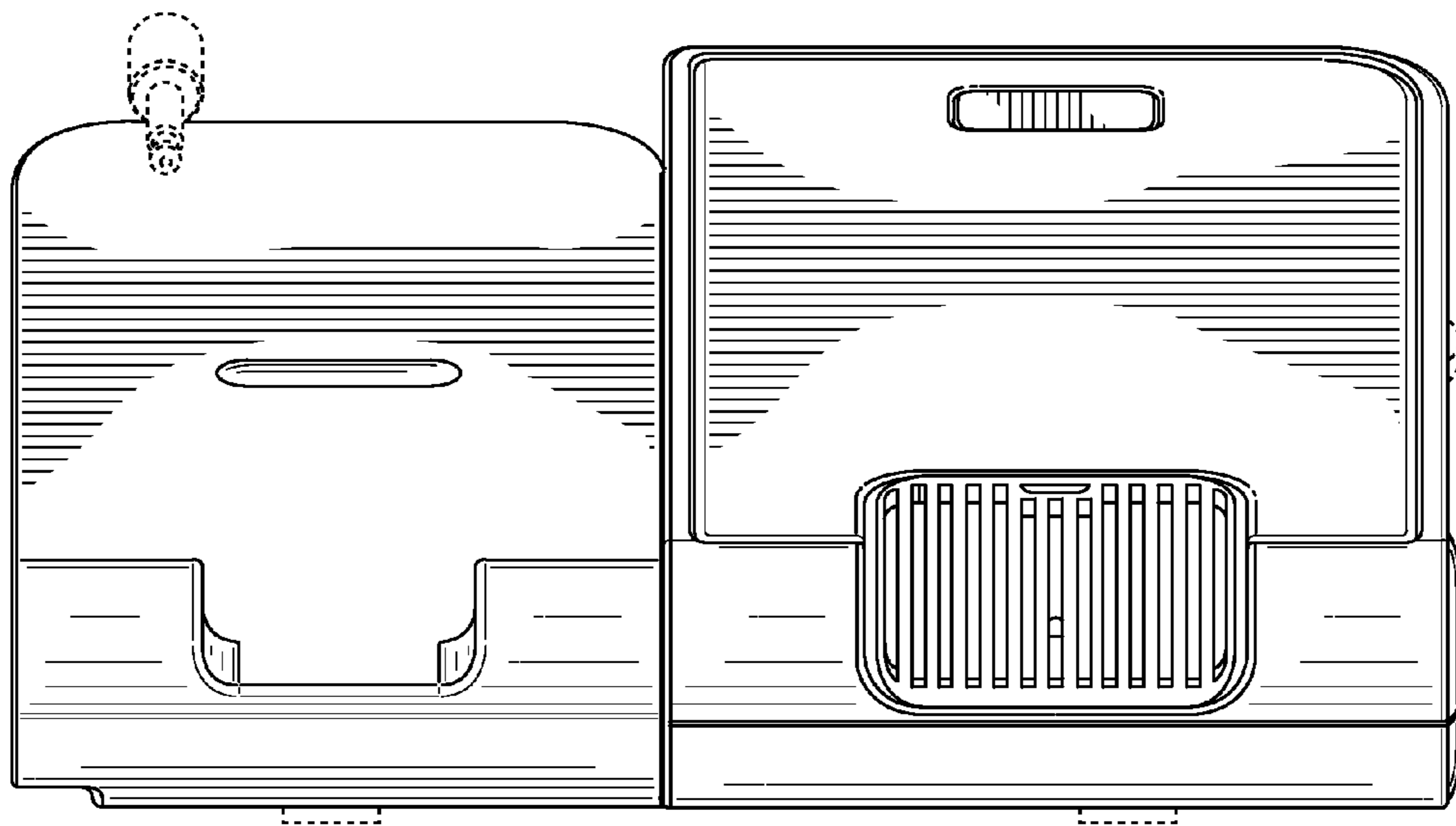


FIG. 2

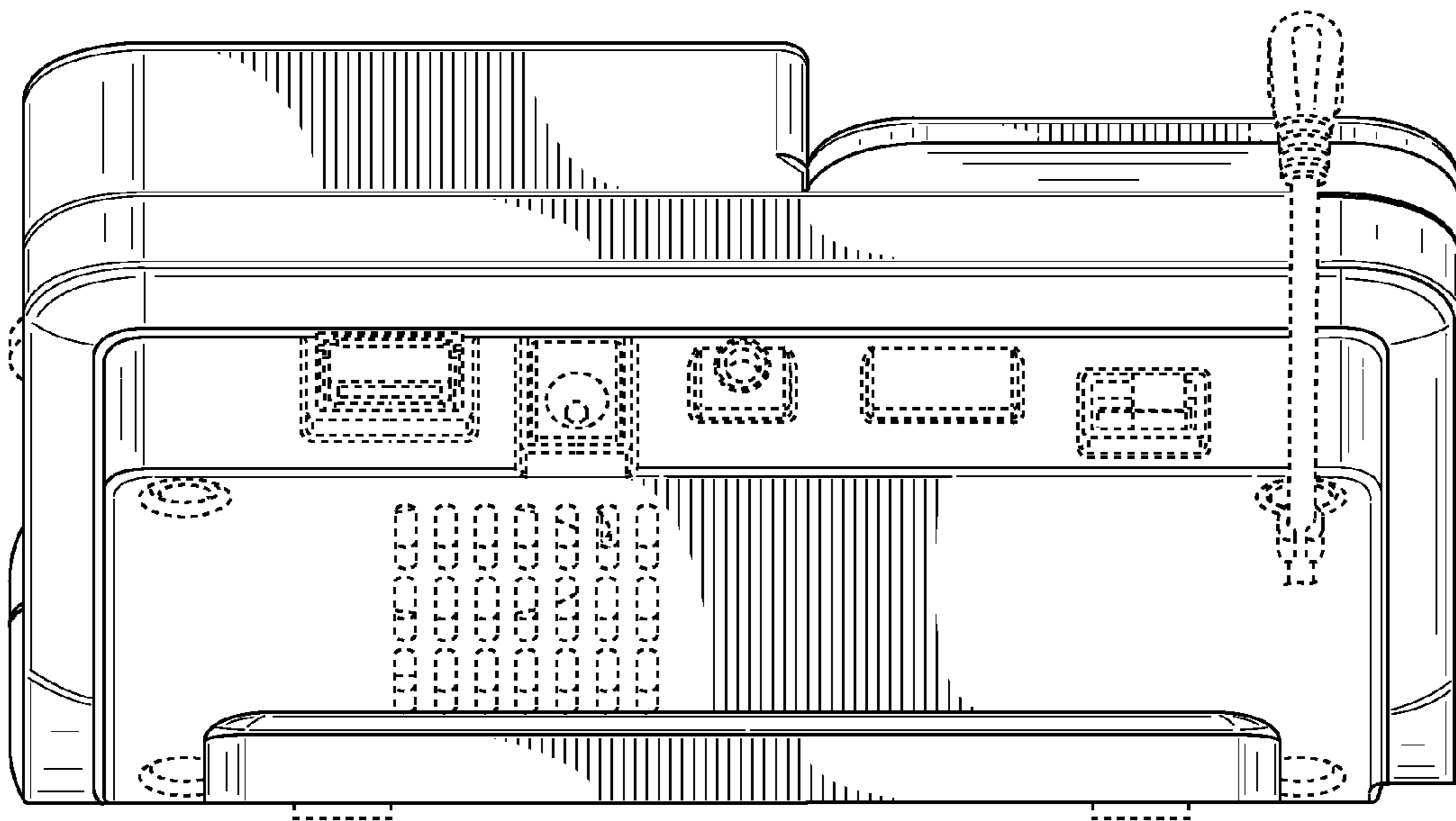


FIG. 3

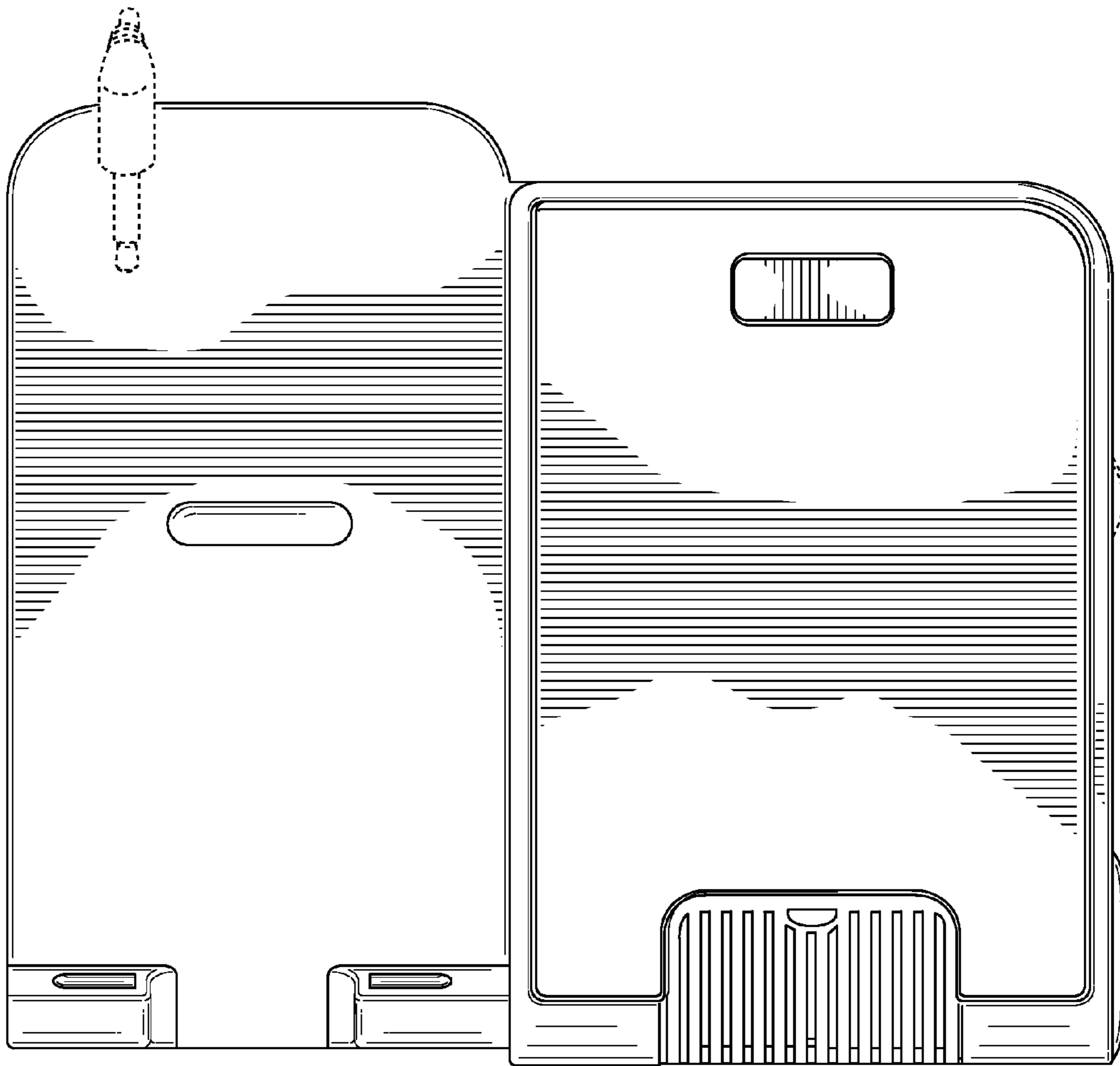


FIG. 4

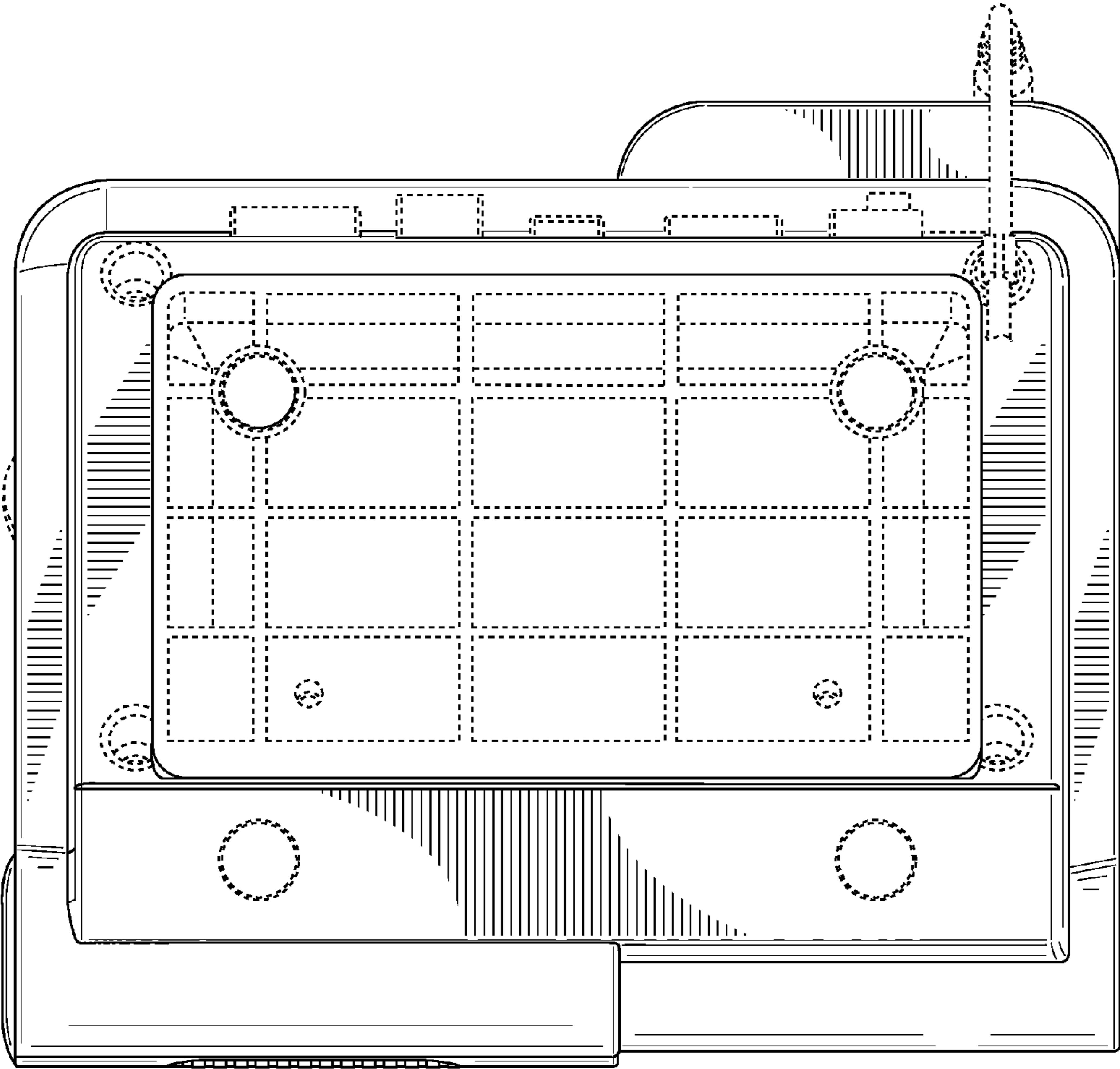


FIG. 5

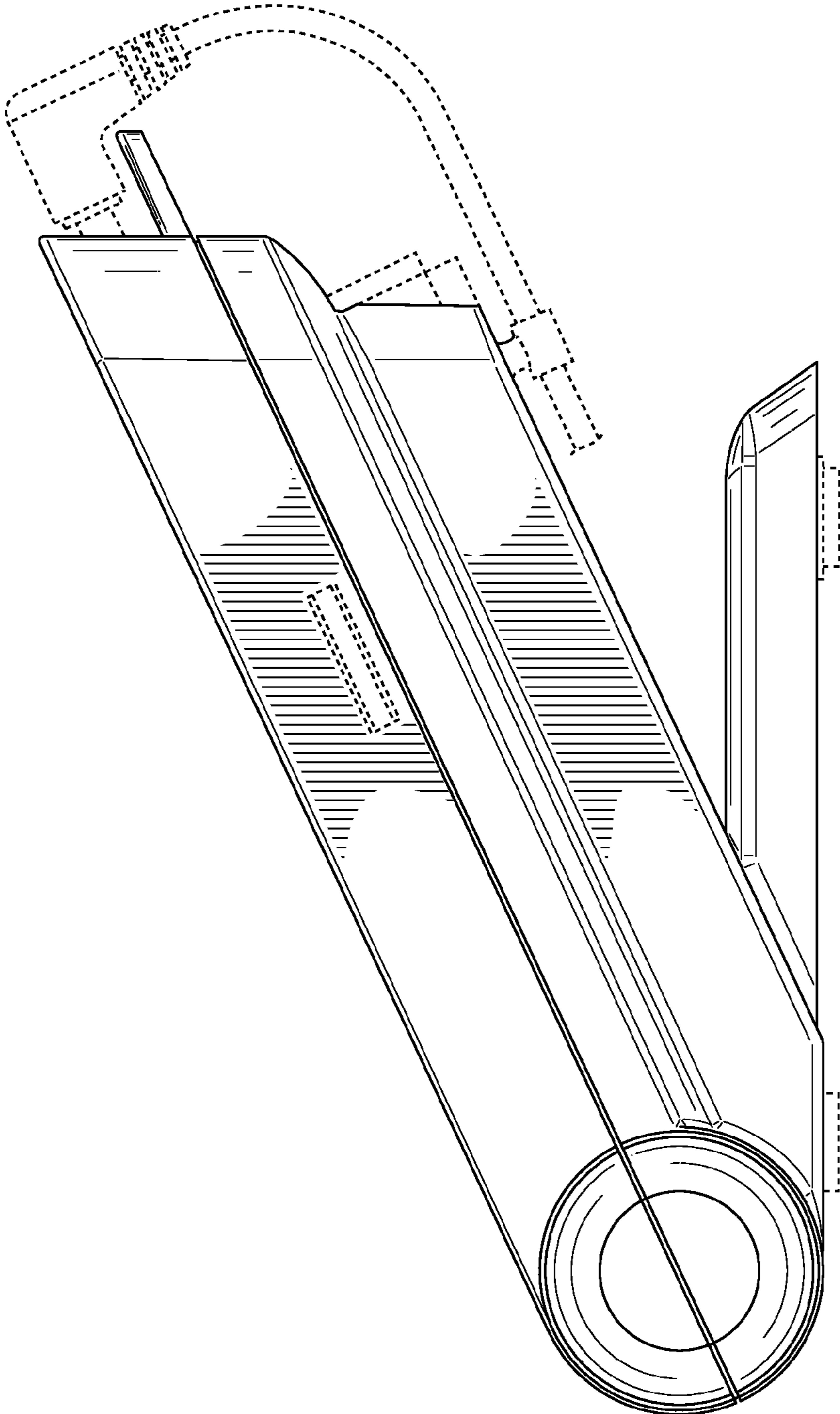


FIG. 6

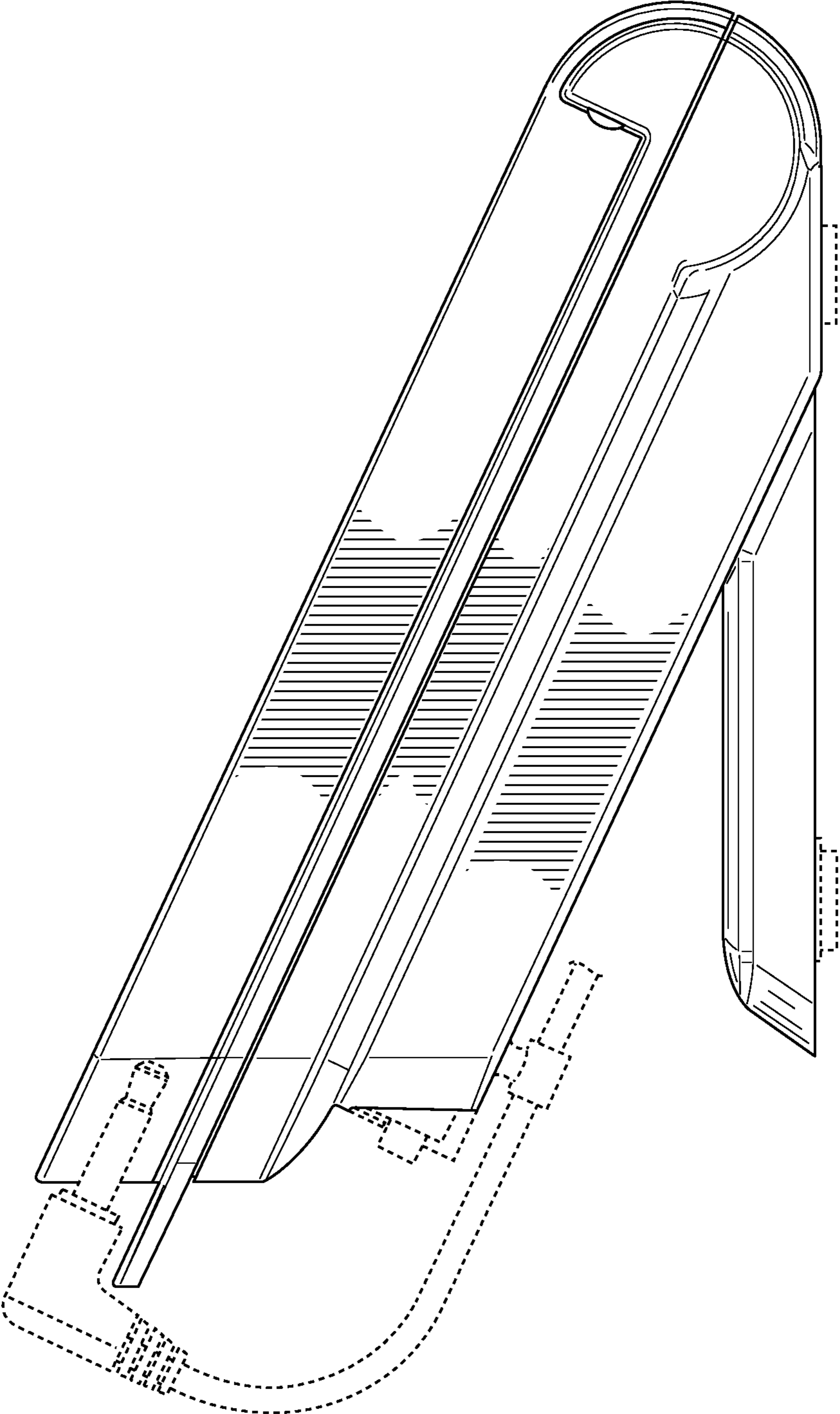


FIG. 7

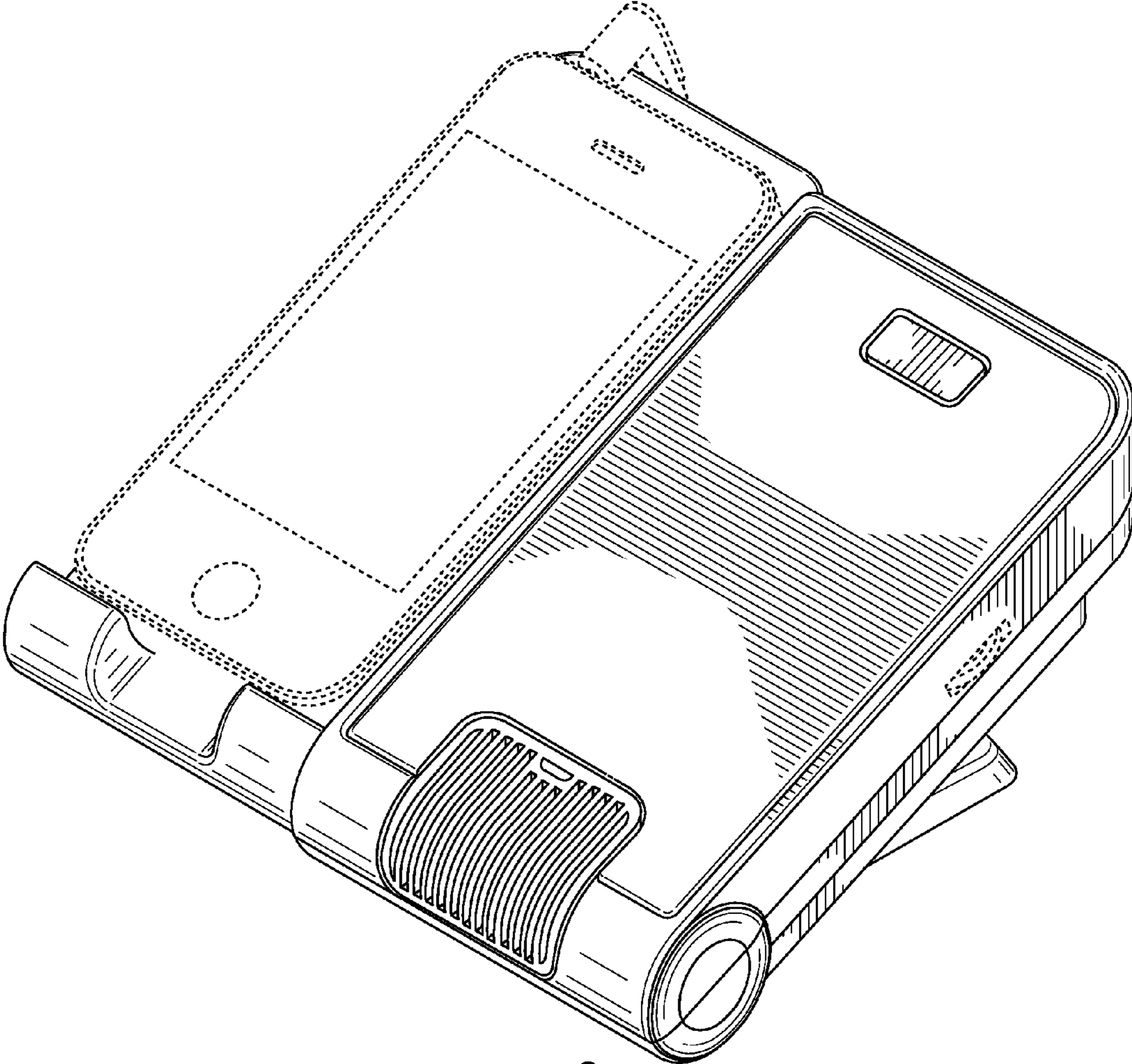


FIG. 8