



US00D685338S

(12) **United States Design Patent**
Park et al.

(10) **Patent No.:** **US D685,338 S**

(45) **Date of Patent:** **** Jul. 2, 2013**

(54) **COMMUNICATION DEVICE**

Primary Examiner — Bridget L Eland

(76) Inventors: **Cheol Woo Park**, Chicago, IL (US);
Ruben D Castano, Glenview, IL (US)

(**) Term: **14 Years**

(21) Appl. No.: **29/418,492**

(22) Filed: **Apr. 17, 2012**

(51) **LOC (9) Cl.** **14-03**

(52) **U.S. Cl.**
USPC **D14/138 G**

(58) **Field of Classification Search**
USPC D14/138 R, 138 AD, 138 AC, 138 C,
D14/138 G, 191, 203.1–203.8, 496, 138 AA,
D14/138 AB, 137, 147, 218, 341–347,
247–248; D10/65, 78, 104; D13/168; D18/7;
455/566, 575.1, 575.3, 575.4
See application file for complete search history.

(56) **References Cited**

U.S. PATENT DOCUMENTS

D422,972 S *	4/2000	King	D14/341
D550,187 S *	9/2007	Lee et al.	D14/138 AD
D556,178 S *	11/2007	Kim et al.	D14/138 AD
D620,467 S *	7/2010	Aarras	D14/138 G
D622,250 S *	8/2010	Kwon et al.	D14/138 G
D626,109 S *	10/2010	Kim et al.	D14/138 AD
D634,290 S *	3/2011	Landwehr	D14/138 G

(Continued)

OTHER PUBLICATIONS

Motorola Photon 4G, announced Jun. 2011, [online], [retrieved on Aug. 19, 2011]. Retrieved from Internet ,<URL: <http://www.gsmarena.com>>.*

Motorola XT760, announced Jun. 2012, [online], [retrieved on Aug. 21, 2012]. Retrieved from Internet ,<URL: <http://www.gsmarena.com>>.*

(Continued)

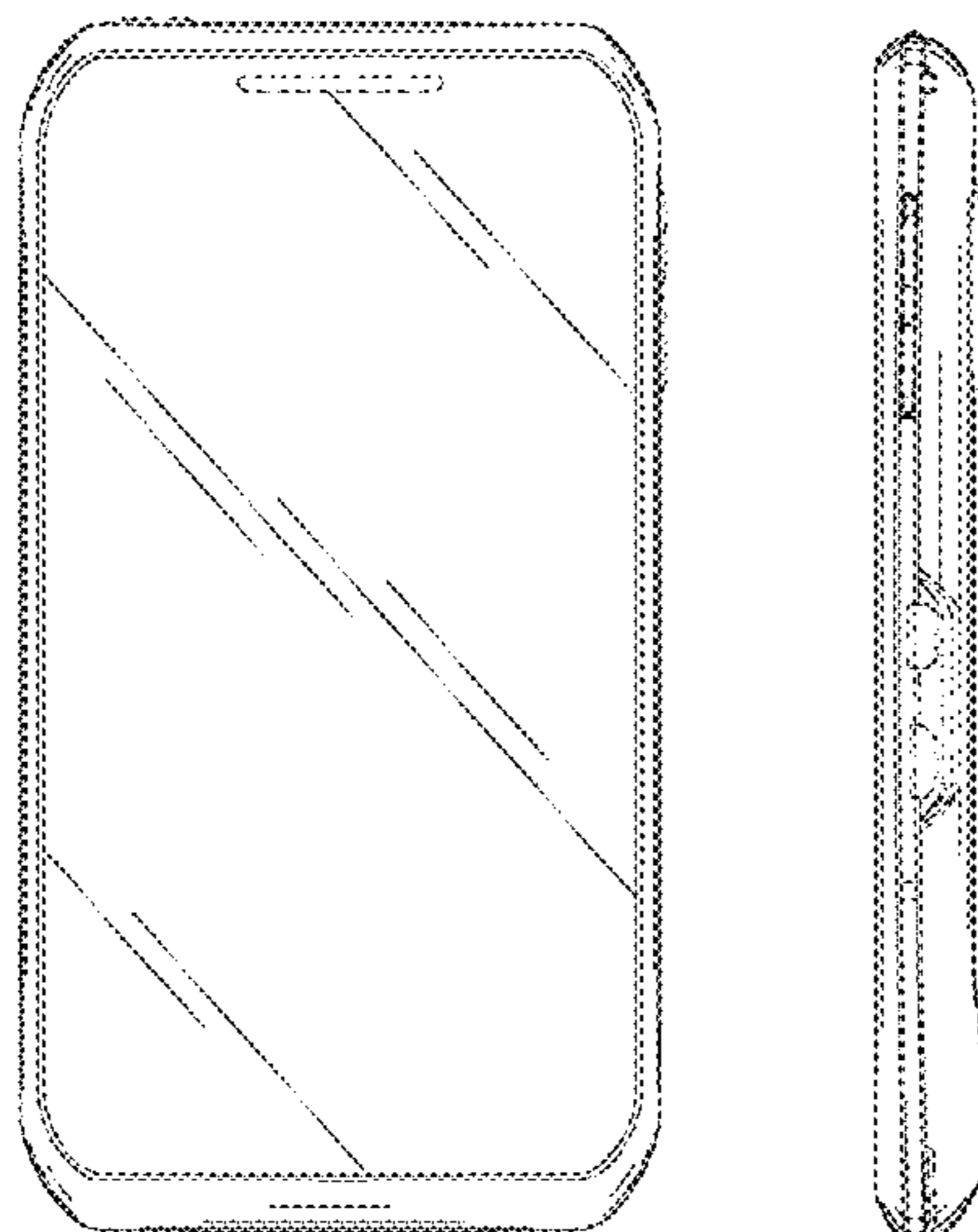
(57) **CLAIM**

The ornamental design for a communication device, as shown and described.

DESCRIPTION

FIG. 1 is a front perspective view of a first embodiment of an ornamental design for a communication device;
 FIG. 2 is a rear perspective view of the first embodiment thereof;
 FIG. 3 is a front view of the first embodiment thereof;
 FIG. 4 is a rear view of the first embodiment thereof;
 FIG. 5 is a first side view of the first embodiment thereof;
 FIG. 6 is a second side view of the first embodiment thereof;
 FIG. 7 is a top view of the first embodiment thereof; and
 FIG. 8 is a bottom view of the first embodiment thereof.
 FIG. 9 is a front perspective view of a second embodiment of an ornamental design for a communication device;
 FIG. 10 is a rear perspective view of the second embodiment thereof;
 FIG. 11 is a front view of the second embodiment thereof;
 FIG. 12 is a rear view of the second embodiment thereof;
 FIG. 13 is a first side view of the second embodiment thereof;
 FIG. 14 is a second side view of the second embodiment thereof;
 FIG. 15 is a top view of the second embodiment thereof; and,
 FIG. 16 is a bottom view of the second embodiment thereof.
 The broken lines shown in FIGS. 1-8, that are immediately adjacent to the shaded areas, and define unshaded regions, represent the bounds of the first embodiment, while all other broken lines are directed to environment and are for illustrative purposes only; the broken lines form no part of the first embodiment.

1 Claim, 12 Drawing Sheets



U.S. PATENT DOCUMENTS

D634,294 S * 3/2011 Dhondt D14/138 AD
D635,954 S * 4/2011 Aarras D14/138 G
D636,362 S * 4/2011 Veiga et al. D14/138 G
D637,992 S * 5/2011 Tom et al. D14/138 G
D645,442 S * 9/2011 Landwehr D14/138 G
D650,349 S * 12/2011 Tom et al. D14/138 G
D657,336 S * 4/2012 Nilsen et al. D14/138 G
D666,980 S * 9/2012 Faoro D14/138 G
D669,447 S * 10/2012 Hong D14/138 G
D669,892 S * 10/2012 Hofer et al. D14/341
D670,262 S * 11/2012 Mitchell et al. D14/138 G
D673,924 S * 1/2013 Mitchell et al. D14/138 G
D675,181 S * 1/2013 Morgenroth et al. D14/138 G
D675,204 S * 1/2013 Hofer et al. D14/13 G
D675,205 S * 1/2013 Hofer et al. D14/138 G
2008/0004085 A1 * 1/2008 Jung et al. 455/566
2008/0297537 A1 * 12/2008 Ishikawa et al. 345/690
2009/0163258 A1 * 6/2009 Vesamaki 455/575.4

OTHER PUBLICATIONS

Motorola DROID 4 XT894, announced Jan. 2012, [online], [retrieved on Feb. 3, 2012]. Retrieved from Internet ,<URL: <http://www.gsmarena.com>>.*
Nokia 603, announced Oct. 2011, [online], [retrieved on Oct. 26, 2011]. Retrieved from Internet ,<URL: <http://www.gsmarena.com>>.*
Nokia N950, announced Jun. 2011, [online], [retrieved on Aug. 19, 2011]. Retrieved from Internet ,<URL: <http://www.gsmarena.com>>.*
Motorola DROID RAZR XT912, announced Oct. 2011, [online], [retrieved on Oct. 26, 2011]. Retrieved from Internet ,<URL: <http://www.gsmarena.com>>.*
Michael J. Harmon, et al “Communication Device”, Jan. 23, 2012, U.S. Appl. No. 29/411,510.
Ryan M. Nilsen, et al., “Communication Device”, May 13, 2011, U.S. Appl. No. 29/391,807.

* cited by examiner

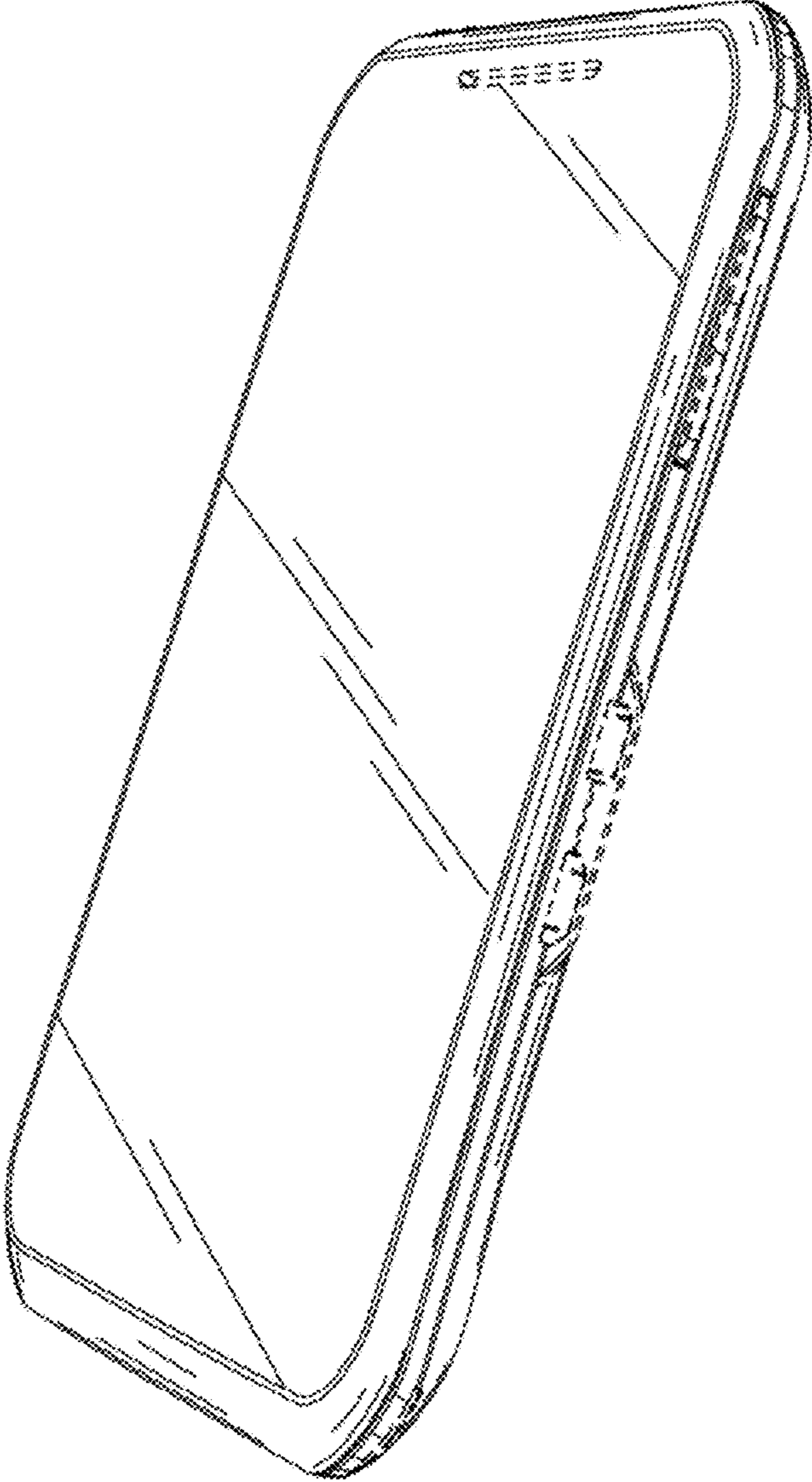


FIG. 1

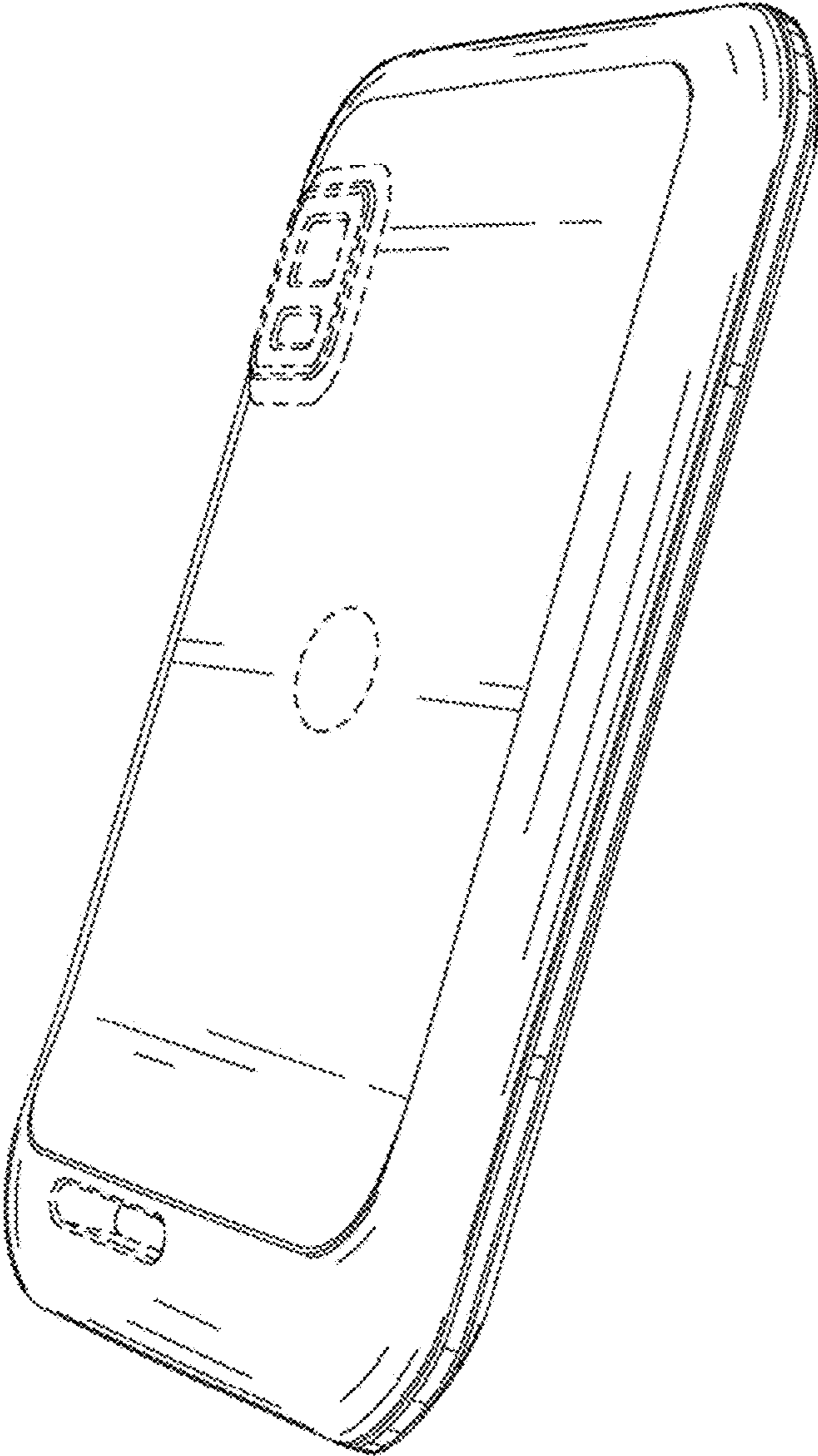


FIG. 2

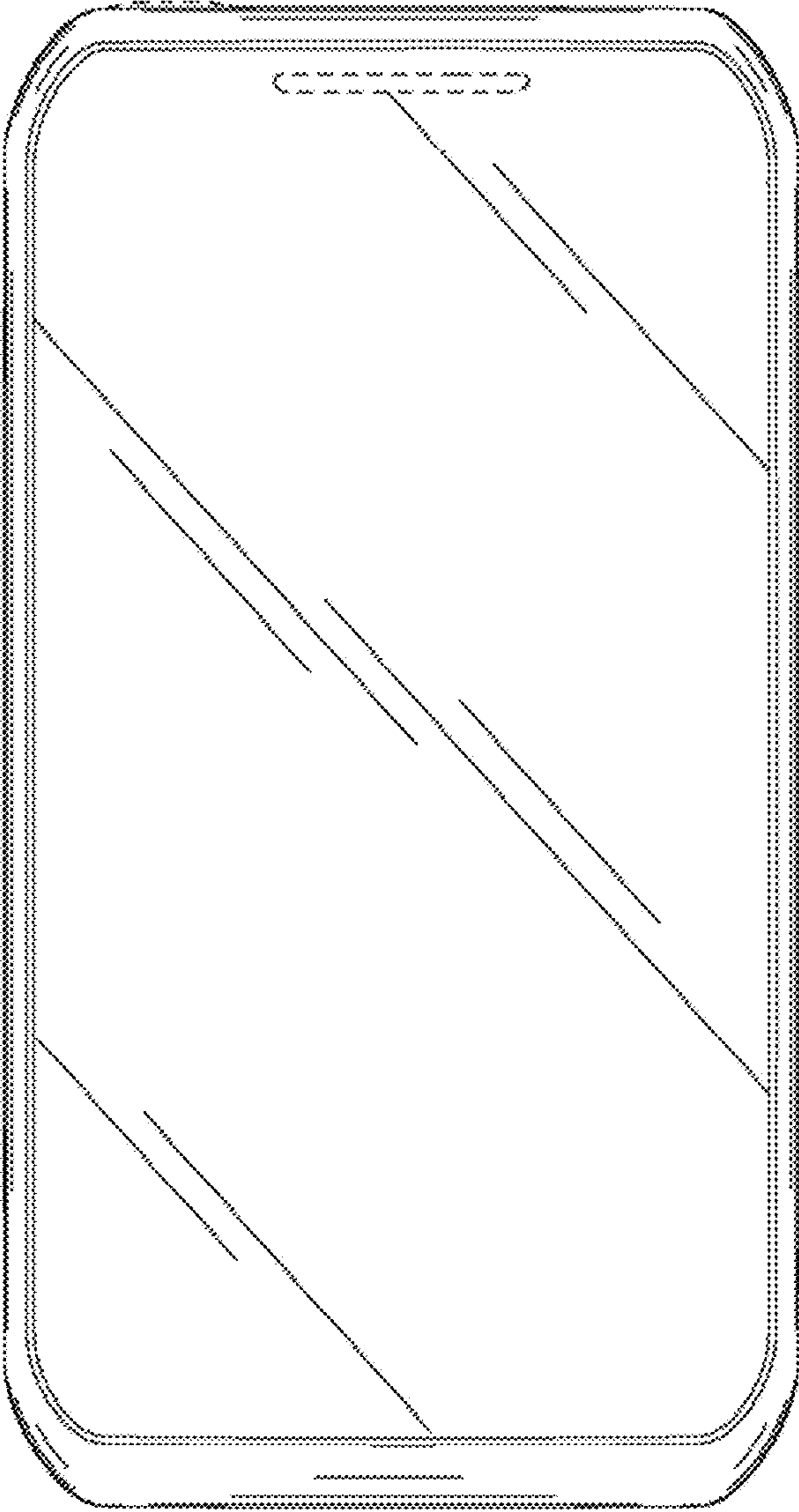


FIG. 3

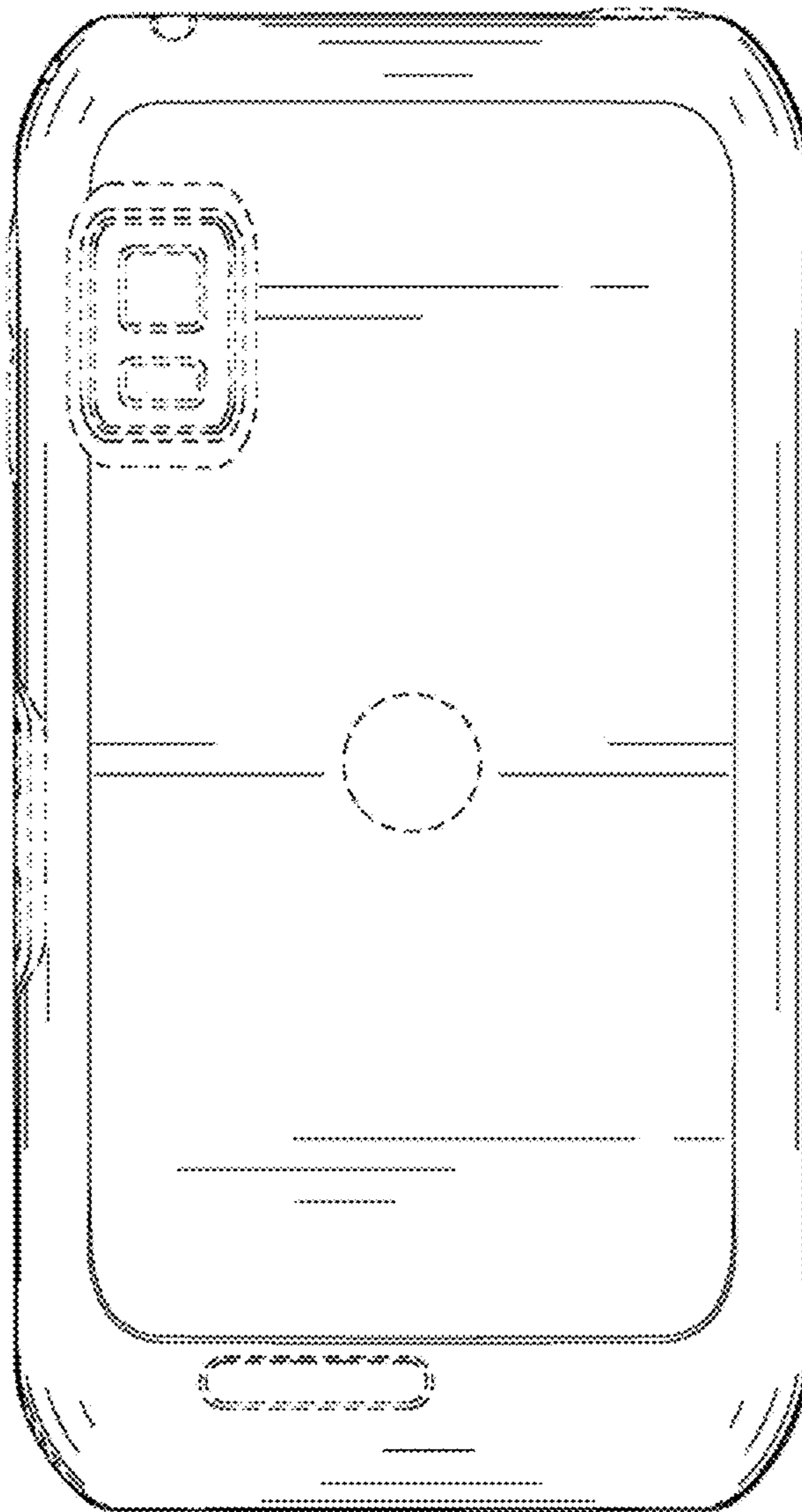


FIG. 4

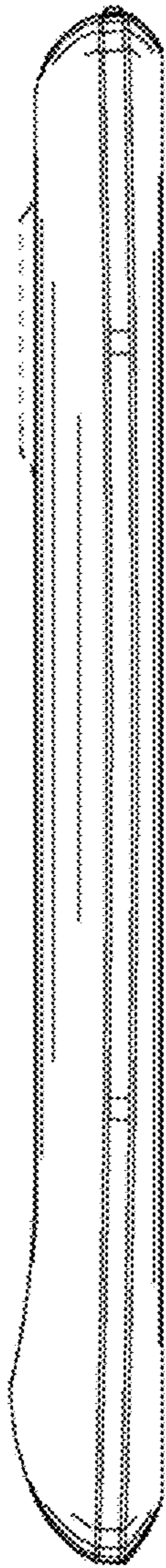


FIG. 5

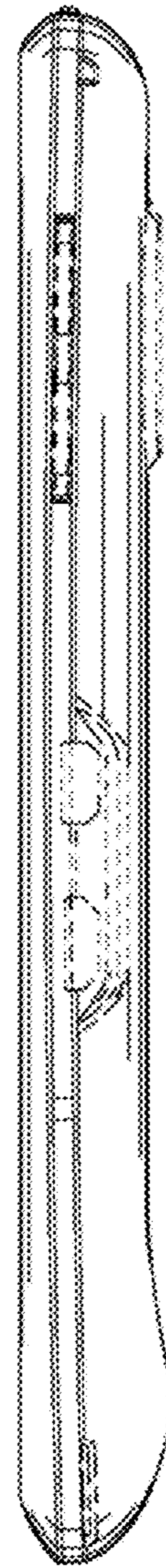


FIG. 6

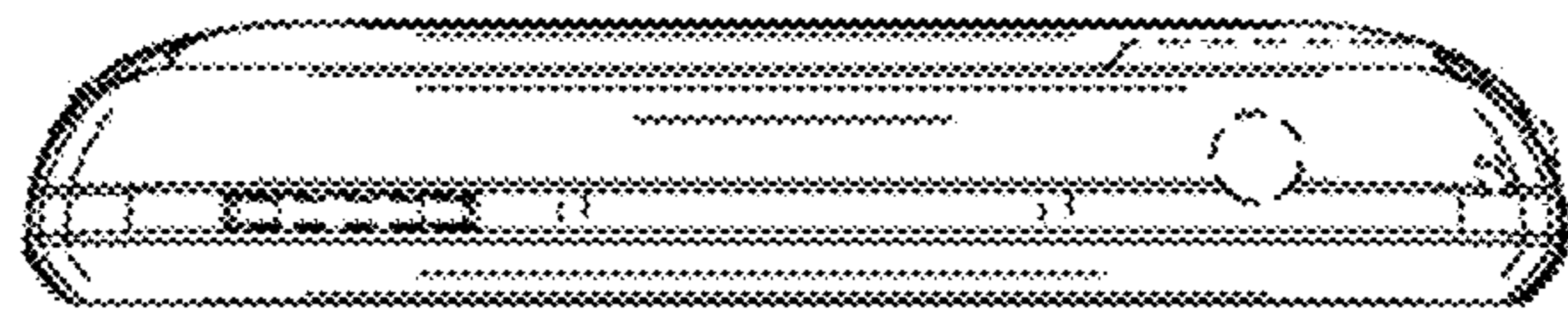


FIG. 7

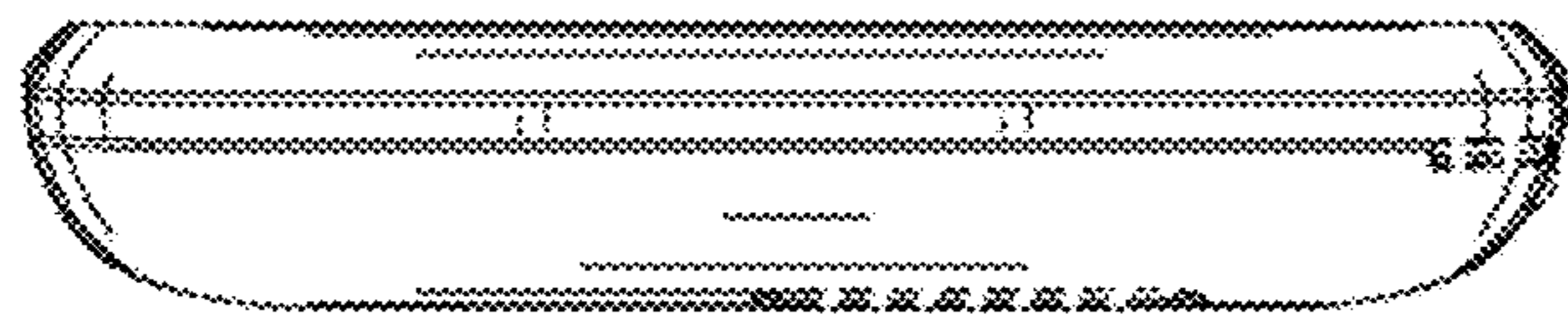


FIG. 8

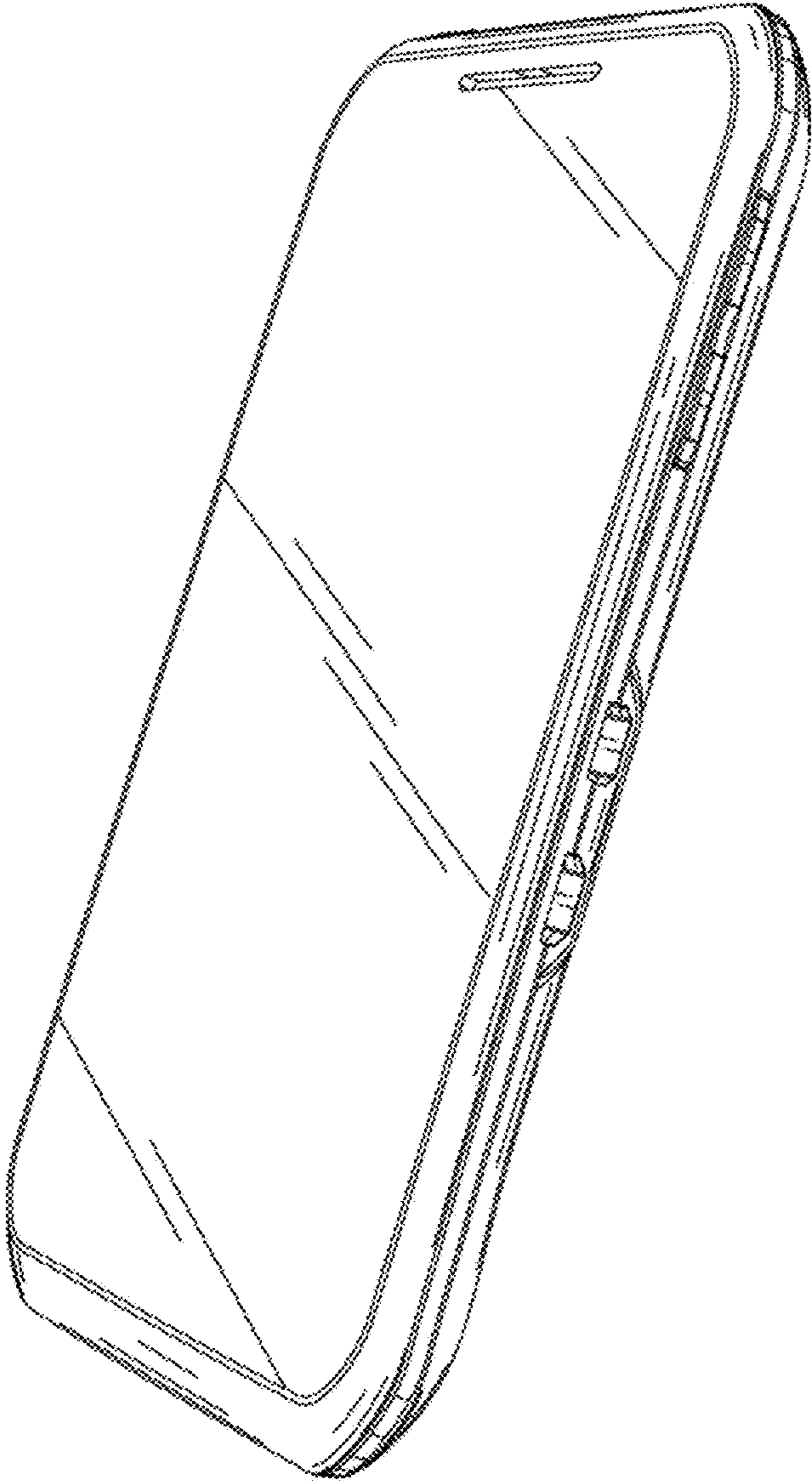


FIG. 9

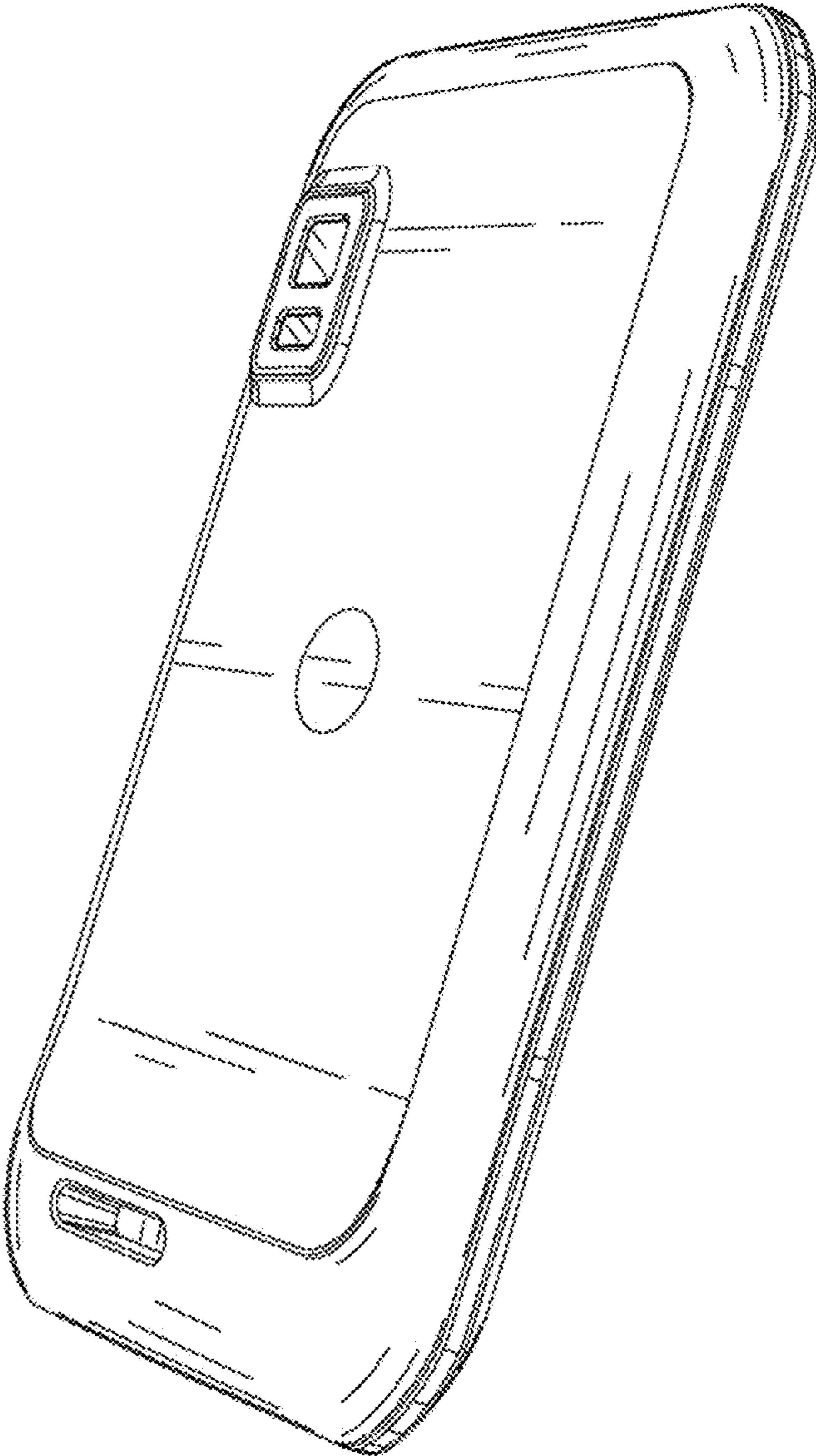


FIG. 10

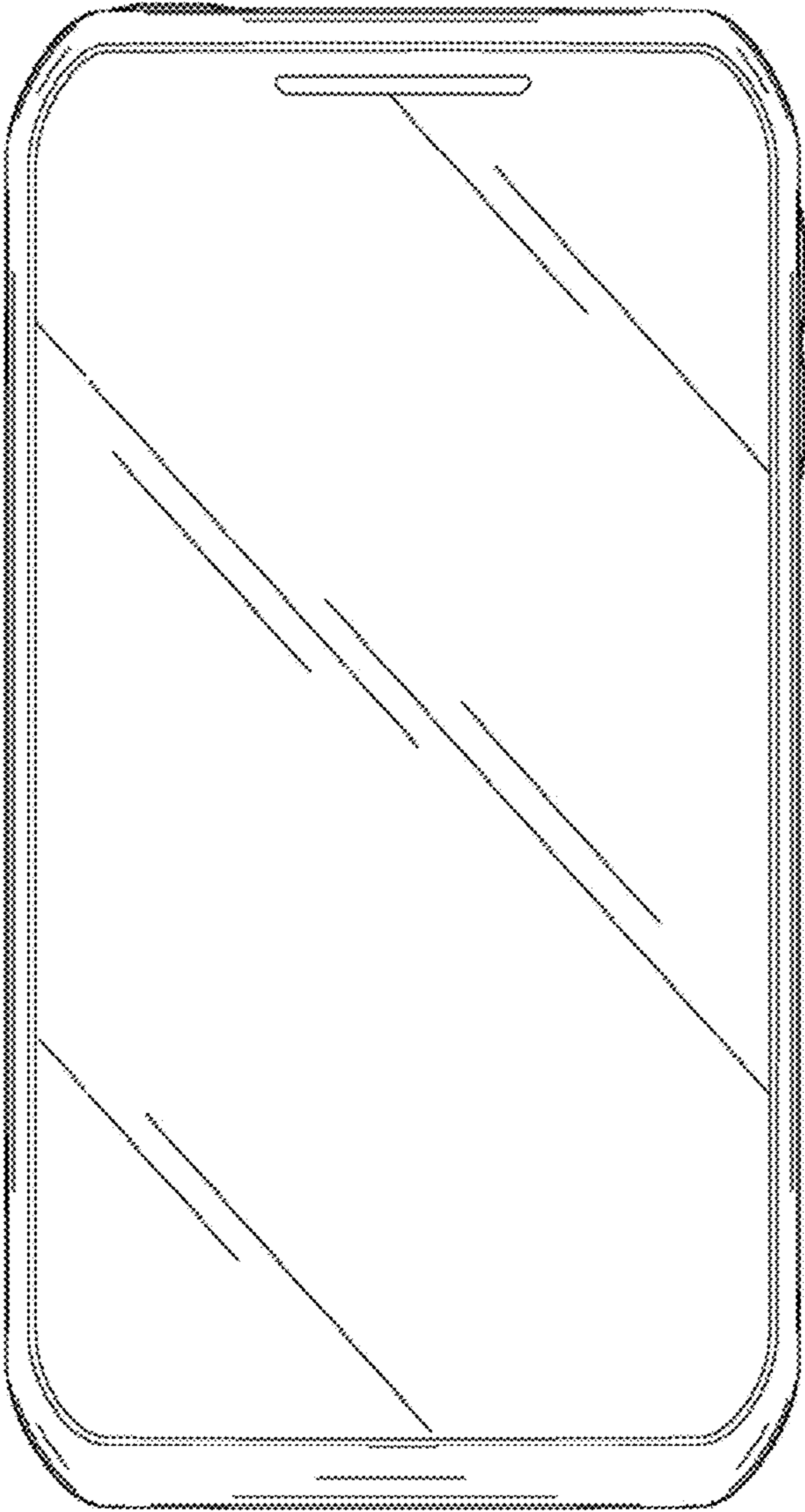


FIG. 11

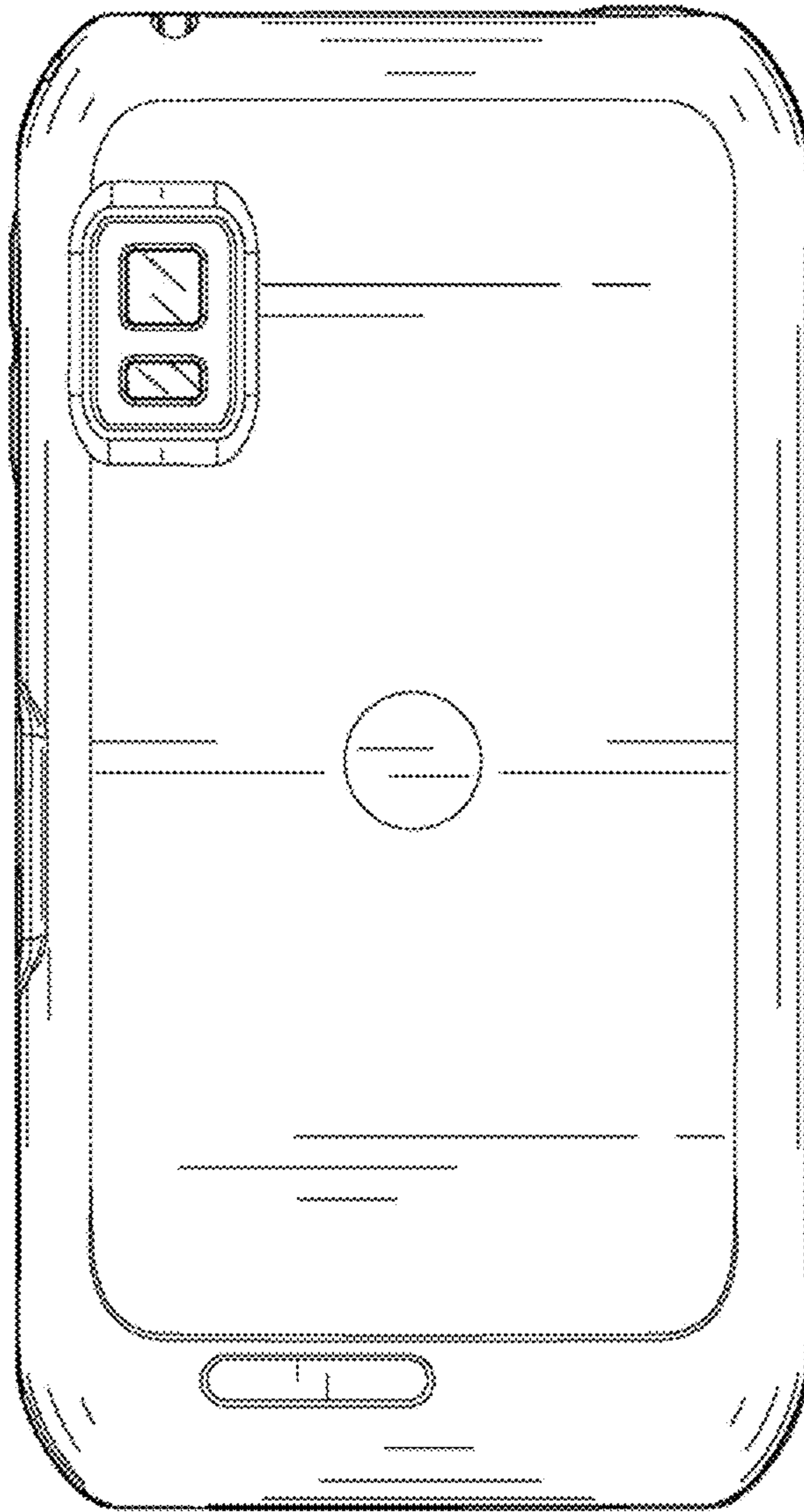


FIG. 12

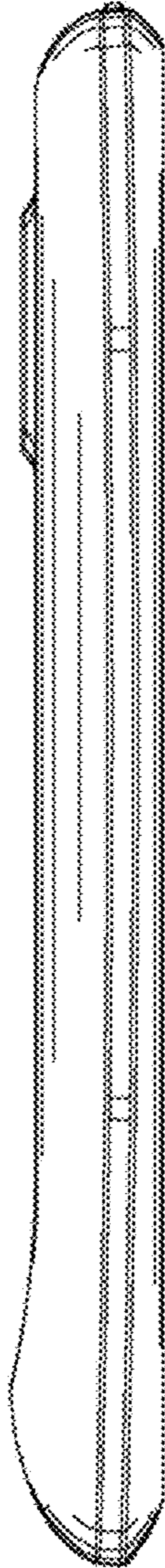


FIG. 13

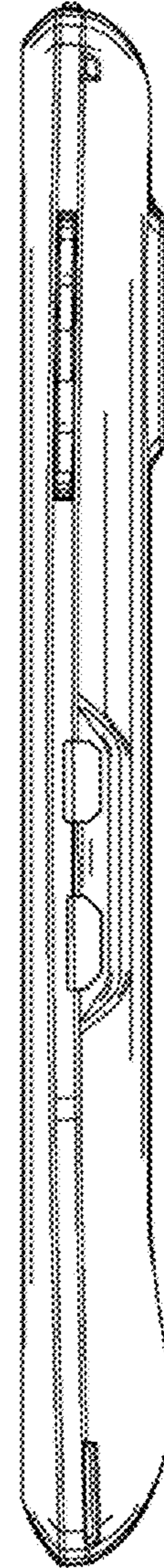


FIG. 14

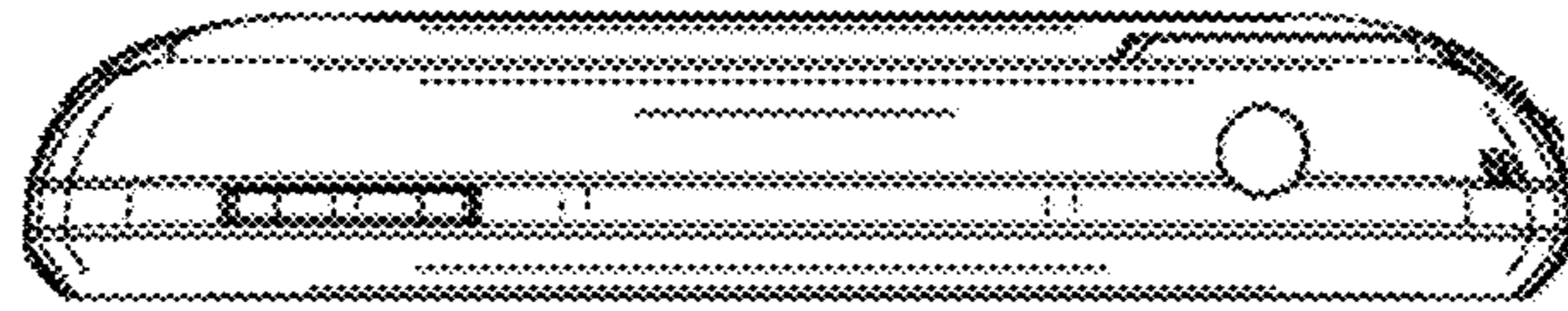


FIG. 15

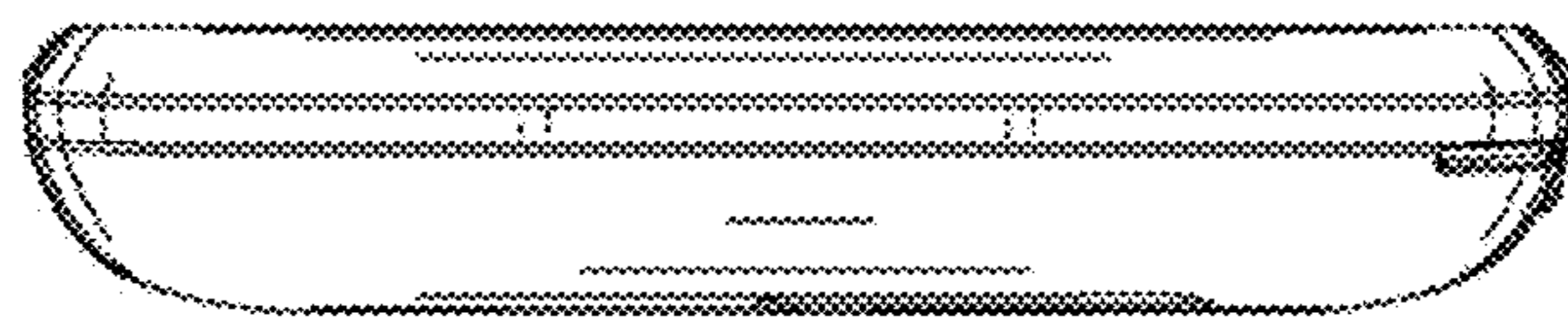


FIG. 16