



US00D685335S

(12) **United States Design Patent**
Tiner

(10) **Patent No.:** **US D685,335 S**

(45) **Date of Patent:** **** Jul. 2, 2013**

(54) **SUBSTRATE SUPPORT**

(75) **Inventor:** **Robin L. Tiner**, Santa Cruz, CA (US)

(73) **Assignee:** **Applied Materials, Inc.**, Santa Clara, CA (US)

(**) **Term:** **14 Years**

(21) **Appl. No.:** **29/379,883**

(22) **Filed:** **Nov. 24, 2010**

(51) **LOC (9) Cl.** **13-99**

(52) **U.S. Cl.**
USPC **D13/199**

(58) **Field of Classification Search**
USPC D23/328; D13/199, 182; 438/6, 67,
438/107, 149
See application file for complete search history.

(56) **References Cited**

U.S. PATENT DOCUMENTS

5,671,116	A *	9/1997	Husain	361/234
5,844,205	A *	12/1998	White et al.	219/390
5,846,375	A *	12/1998	Gilchrist et al.	156/345.52
6,035,101	A *	3/2000	Sajoto et al.	392/416
6,163,015	A *	12/2000	Moore et al.	219/404
6,231,674	B1 *	5/2001	Chen et al.	118/720
6,843,421	B2 *	1/2005	Chhor et al.	235/492
D570,310	S *	6/2008	Sasaki	D13/182
7,429,718	B2 *	9/2008	Inagawa et al.	219/444.1
D587,222	S *	2/2009	Sasaki et al.	D13/182
2002/0066726	A1 *	6/2002	Cole et al.	219/444.1
2005/0067102	A1 *	3/2005	Baldwin et al.	156/345.24

2006/0118243	A1 *	6/2006	Choi	156/345.51
2008/0035306	A1 *	2/2008	White et al.	165/61
2011/0120325	A1 *	5/2011	Klauser et al.	101/126

* cited by examiner

Primary Examiner — T. Chase Nelson

Assistant Examiner — Ania Aman

(74) *Attorney, Agent, or Firm* — Patterson & Sheridan, LLP

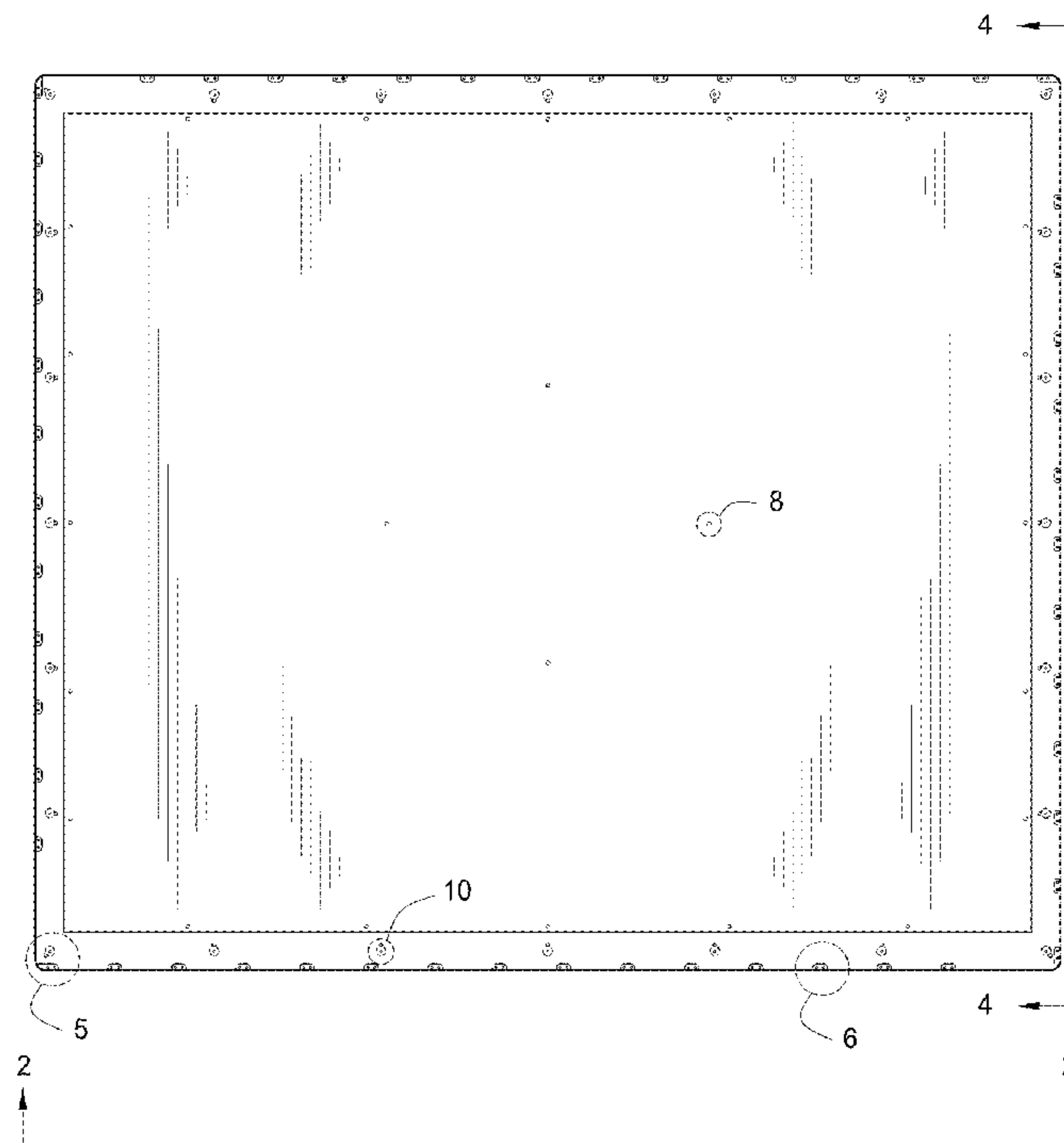
(57) **CLAIM**

The ornamental design for a substrate support, as shown and described.

DESCRIPTION

FIG. 1 is a top plan view of the substrate support.
 FIG. 2 is a side elevation view of the substrate support, the opposite side being a mirror image.
 FIG. 3 is a bottom plan view of the substrate support.
 FIG. 4 is a side elevation view of the substrate support, the opposite side being a mirror image.
 FIG. 5 is a detailed view of FIG. 1.
 FIG. 6 is a detailed view of FIG. 1.
 FIG. 7 is a detailed view of FIG. 2.
 FIG. 8 is a detailed view of FIG. 1.
 FIG. 9 is a detailed view of FIG. 3.
 FIG. 10 is a detailed view of elements shown on FIG. 1 and FIG. 3; and,
 FIG. 11 is a detailed view of FIG. 3.
 Excepting the details along the perimeter edges of the design in FIGS. 1, 2, and 4, the remainder of the details in FIGS. 1 through 4 are in broken lines as represented in FIGS. 5 through 11, and form no part of the claimed design.

1 Claim, 4 Drawing Sheets



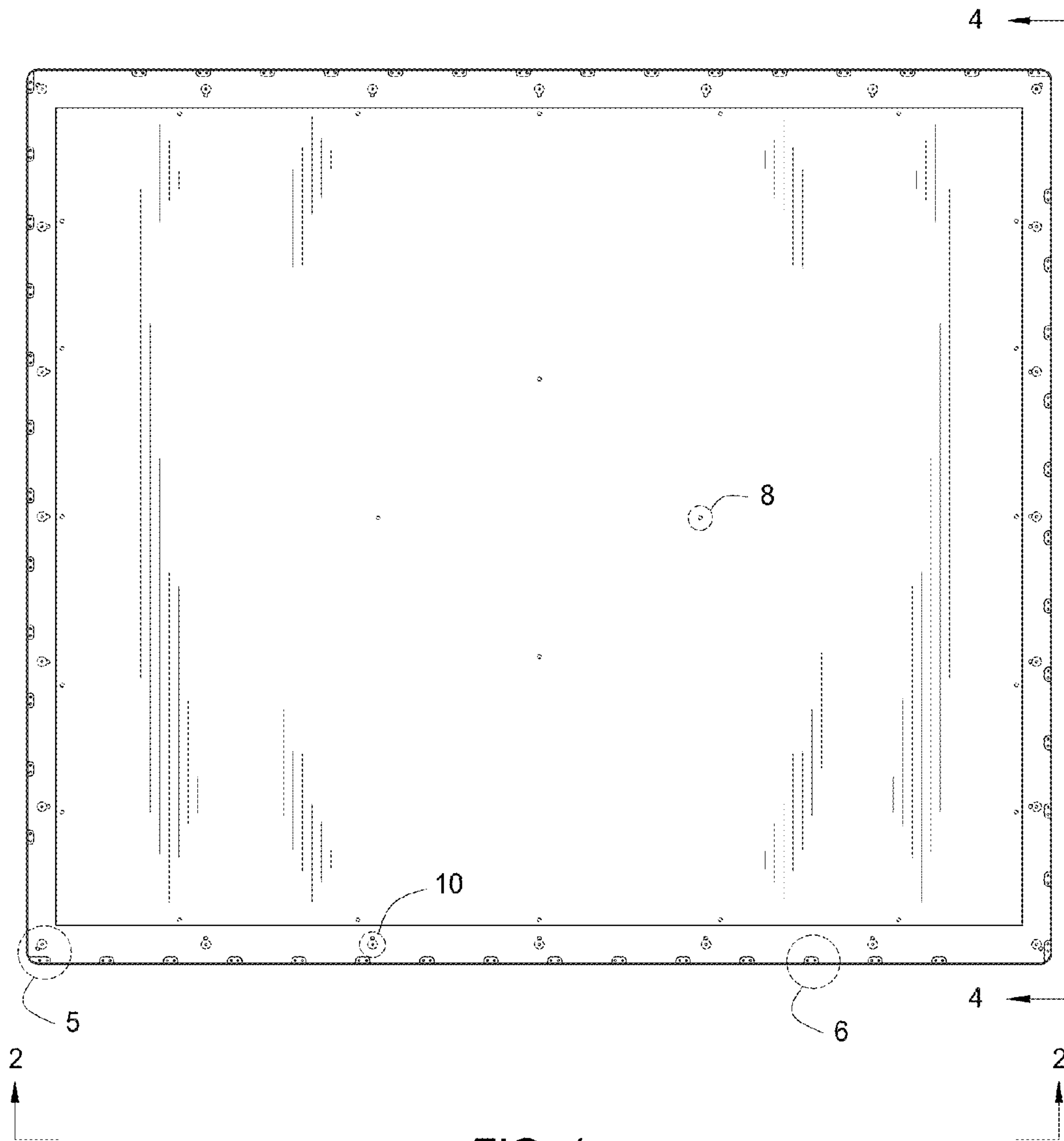


FIG. 1

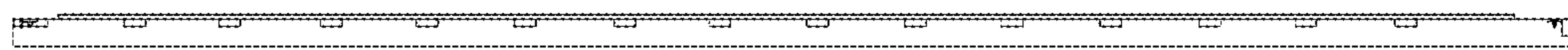


FIG. 2

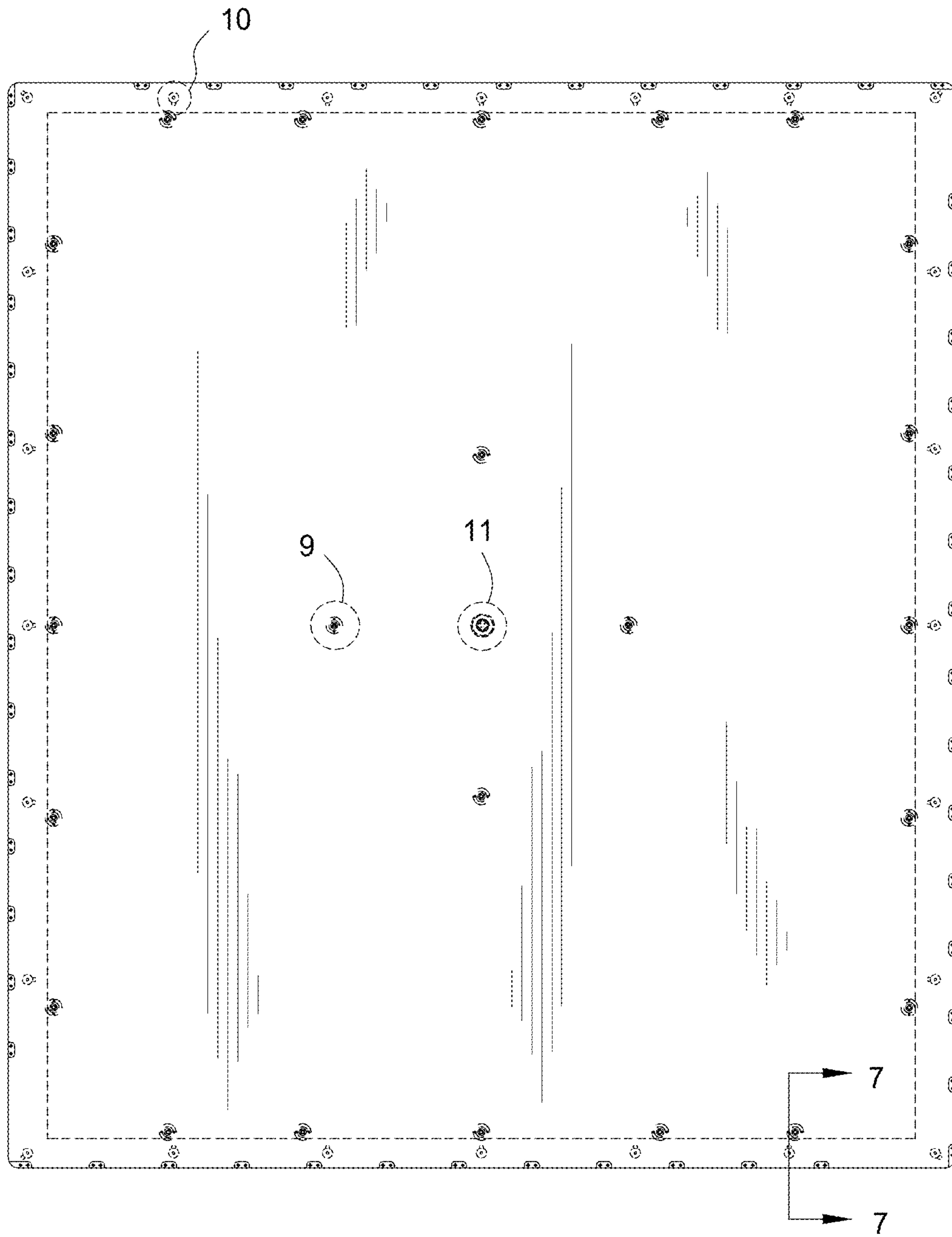


FIG. 3

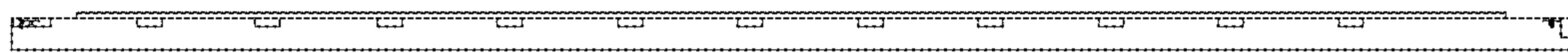


FIG. 4

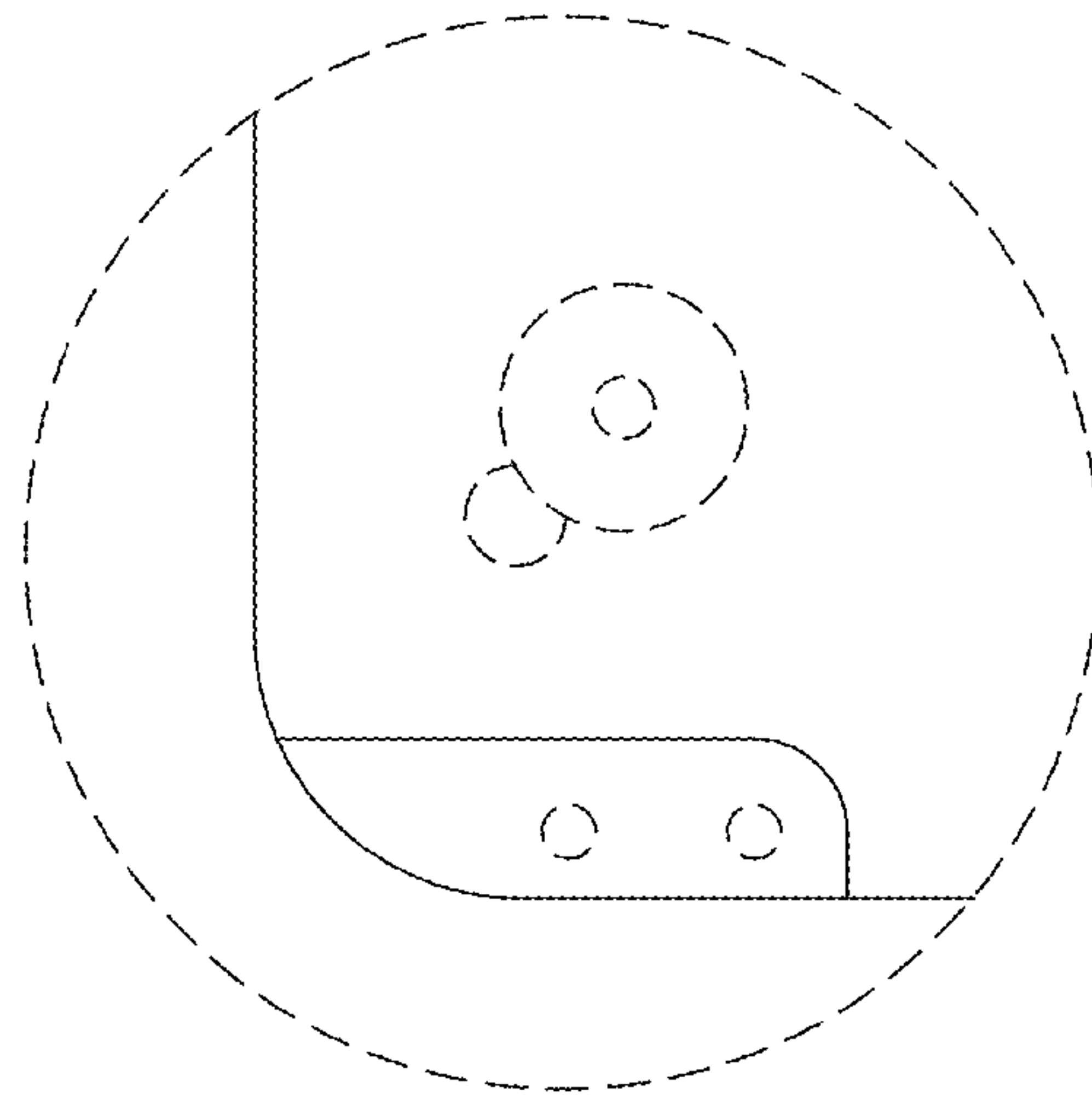


FIG. 5

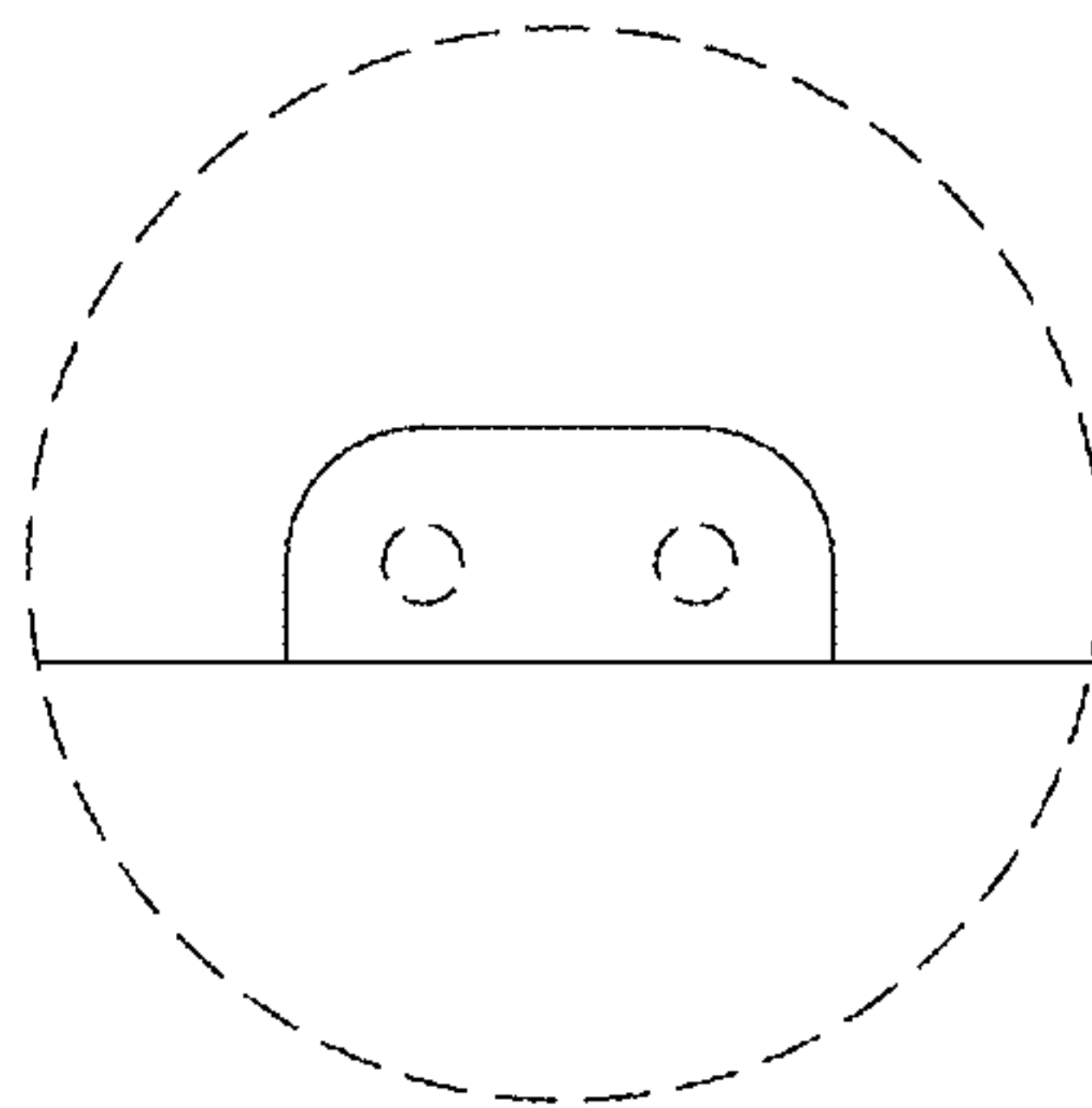


FIG. 6

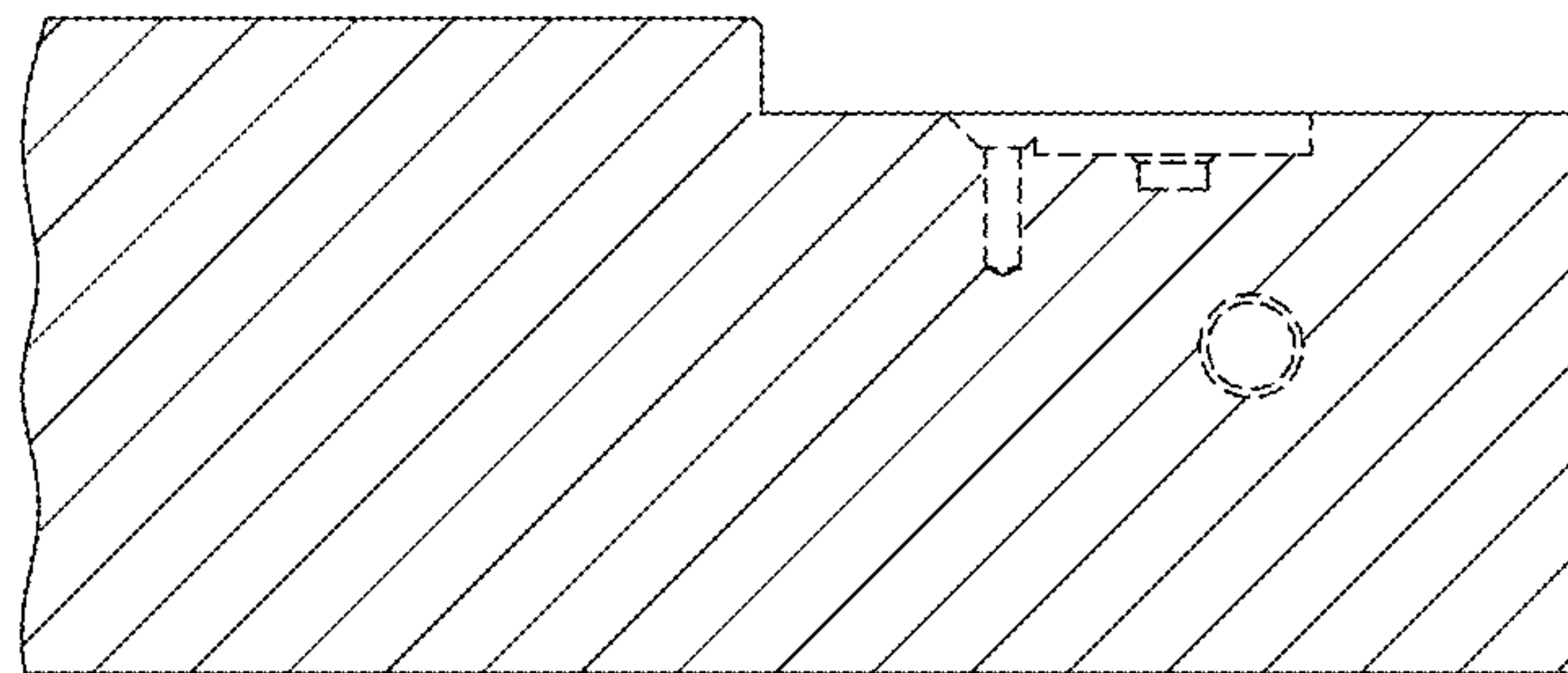


FIG. 7

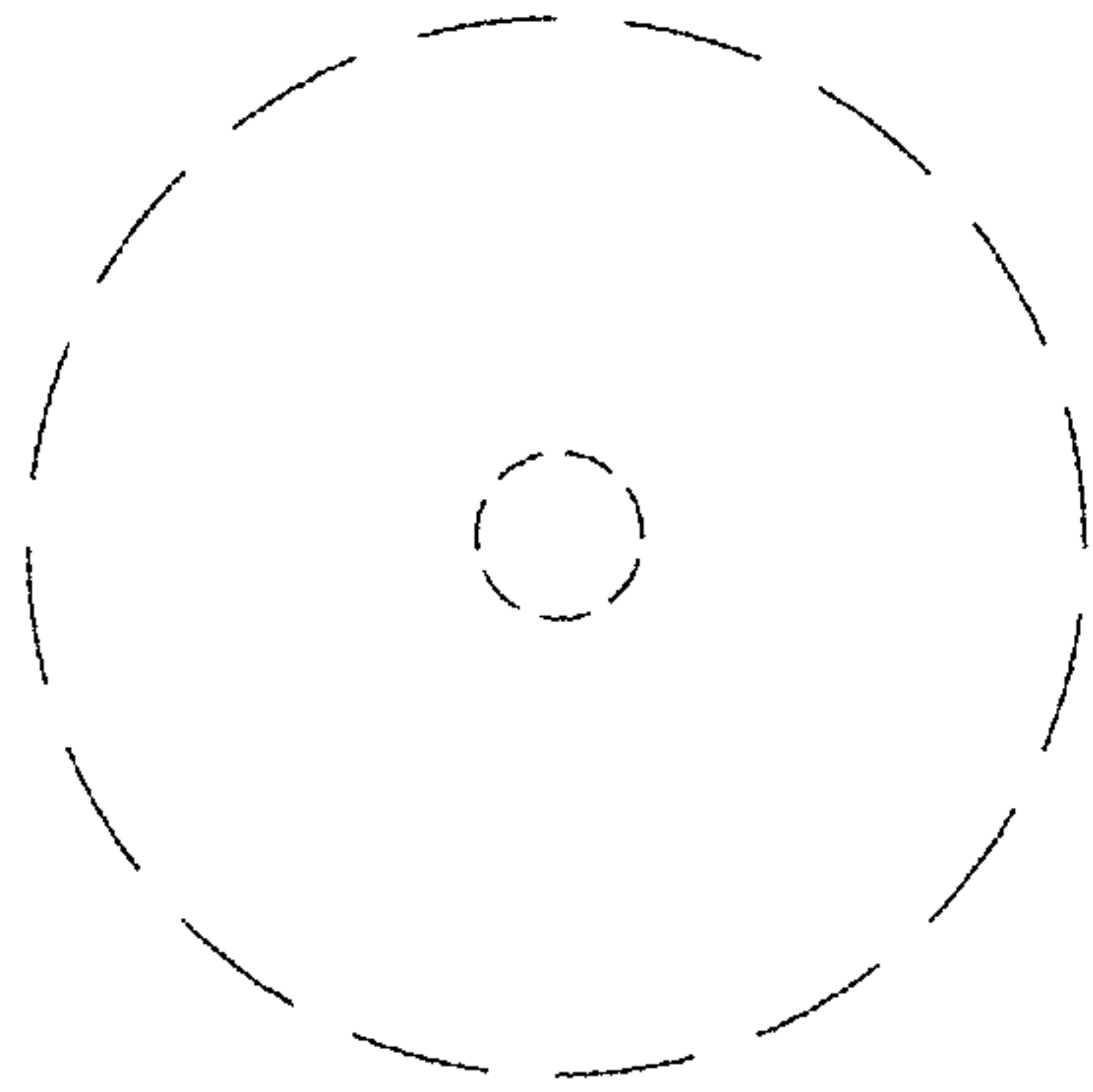


FIG. 8

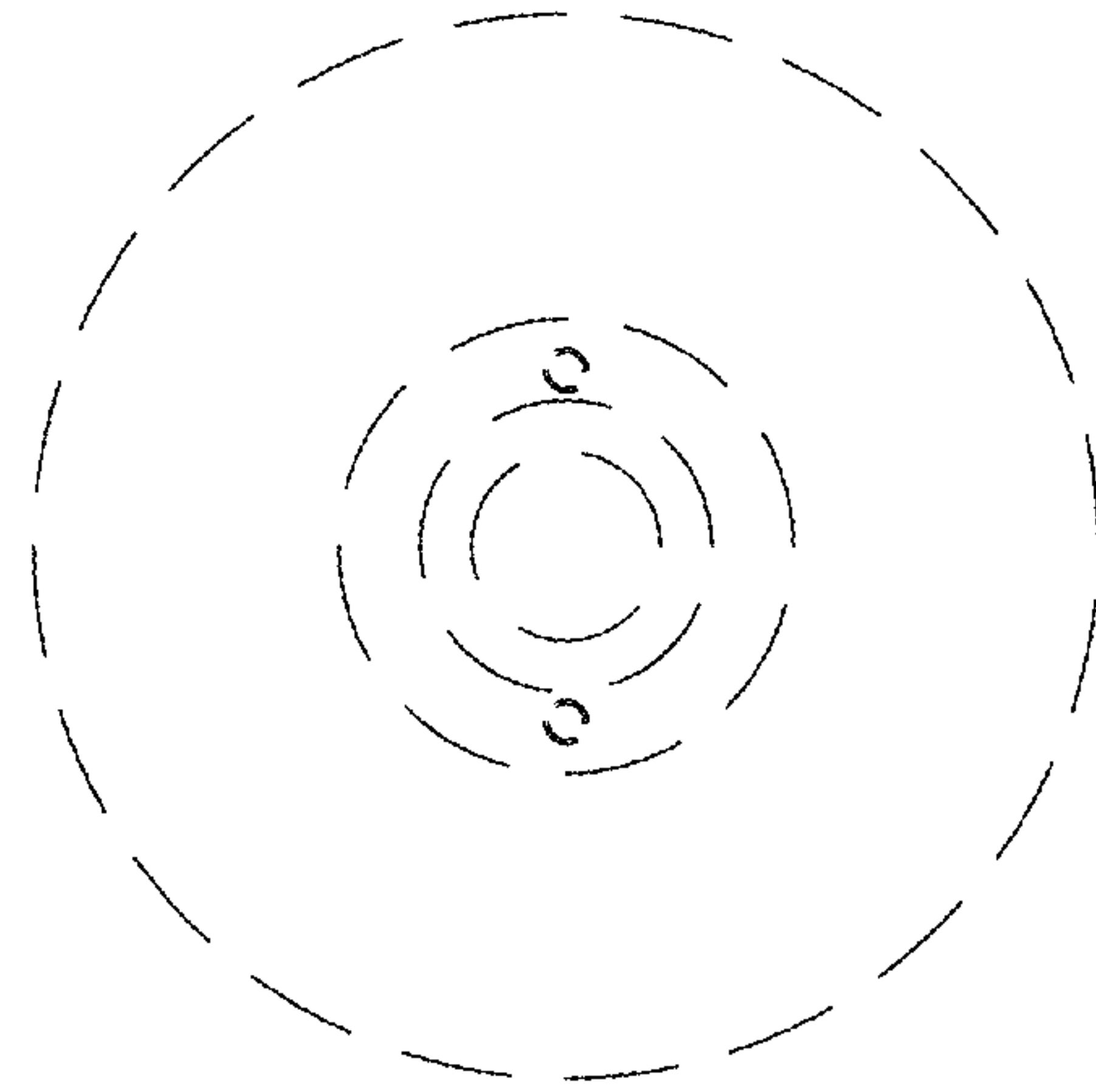


FIG. 9

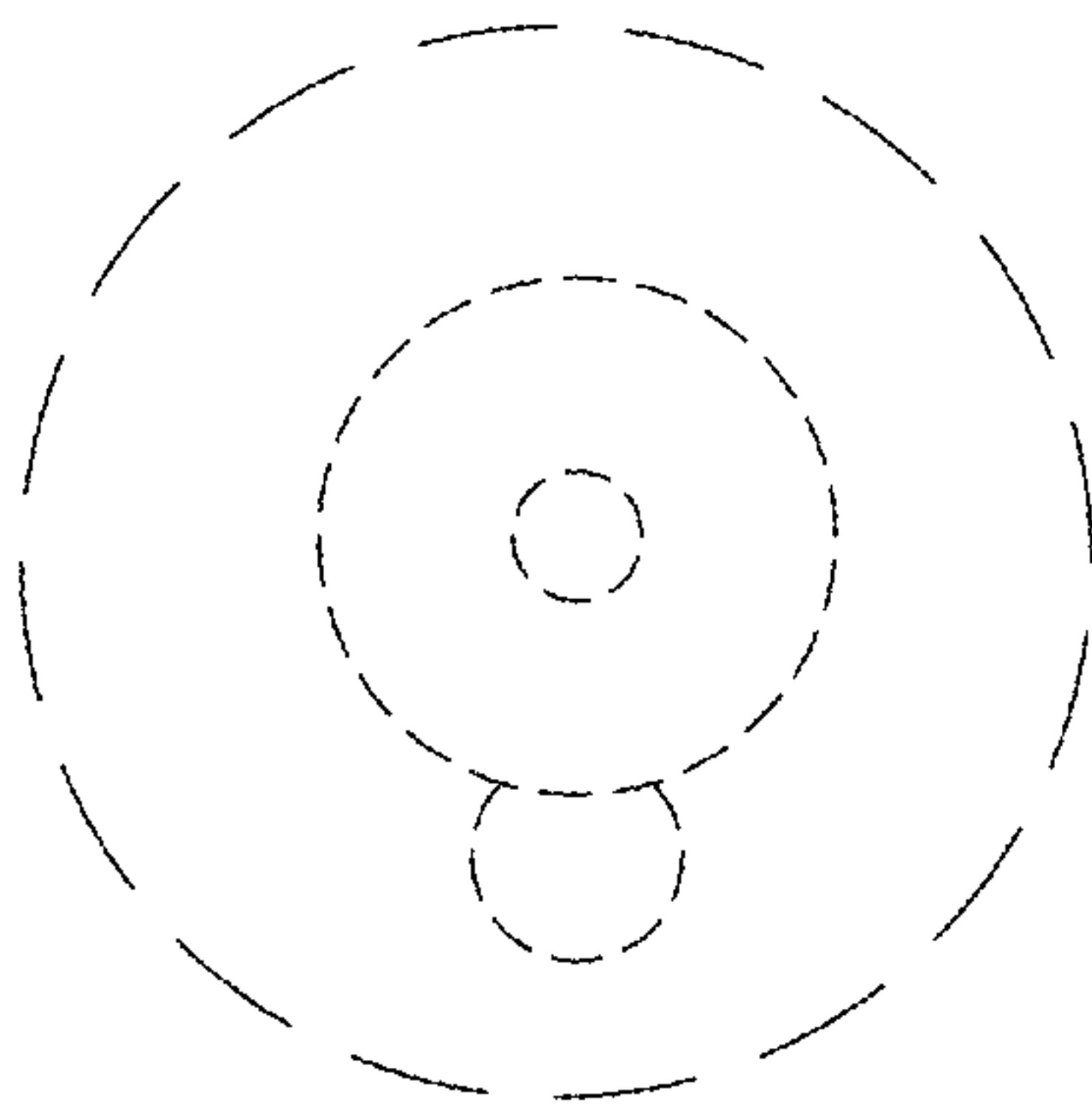


FIG. 10

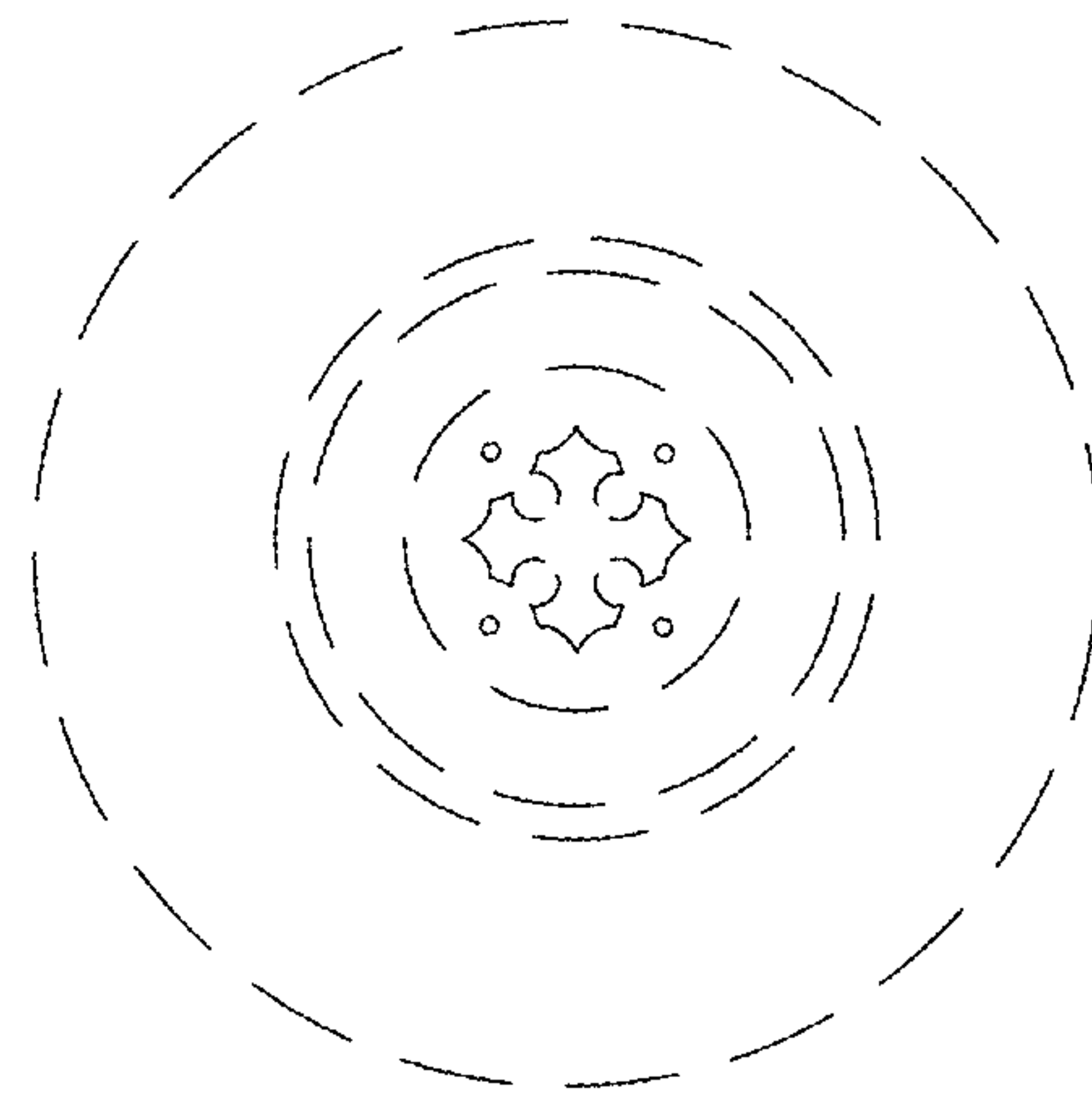


FIG. 11

UNITED STATES PATENT AND TRADEMARK OFFICE
CERTIFICATE OF CORRECTION

PATENT NO. : D685,335 S
APPLICATION NO. : 29/379883
DATED : July 2, 2013
INVENTOR(S) : Tiner

Page 1 of 1

It is certified that error appears in the above-identified patent and that said Letters Patent is hereby corrected as shown below:

On the Title Page, Related U.S. Application Data Item (63):

Please insert --Continuation of application No. 29/328,086, filed on Nov. 18, 2008, now abandoned.--.

Signed and Sealed this
Eighth Day of October, 2013



Teresa Stanek Rea
Deputy Director of the United States Patent and Trademark Office