



US00D685332S

(12) **United States Design Patent**
Garrett et al.

(10) **Patent No.:** **US D685,332 S**
(45) **Date of Patent:** **** Jul. 2, 2013**

(54) **CABLE PASS THRU MODULE**

(56) **References Cited**

(75) Inventors: **Jeffrey Alan Garrett**, Allen, TX (US);
Douglas N. Laube, Farmersville, TX
(US); **Kevin Scott Hodge**, Lucas, TX
(US); **Jeffrey Hampton Burch**, Murphy,
TX (US)

U.S. PATENT DOCUMENTS

D334,562	S	*	4/1993	Maloney	D13/155
D380,736	S	*	7/1997	Theis et al.	D13/155
D402,264	S	*	12/1998	Carlson et al.	D13/155
D439,565	S	*	3/2001	Lindborg	D13/155
D539,232	S	*	3/2007	Lozano	D13/155
7,362,941	B2	*	4/2008	Rinderer et al.	385/134

(73) Assignee: **AMX LLC**, Richardson, TX (US)

* cited by examiner

(**) Term: **14 Years**

Primary Examiner — Derrick Holland

(21) Appl. No.: **29/393,882**

(57) **CLAIM**

The ornamental design for a cable pass thru module, as shown and described.

(22) Filed: **Jun. 10, 2011**

DESCRIPTION

(51) **LOC (9) Cl.** **13-03**

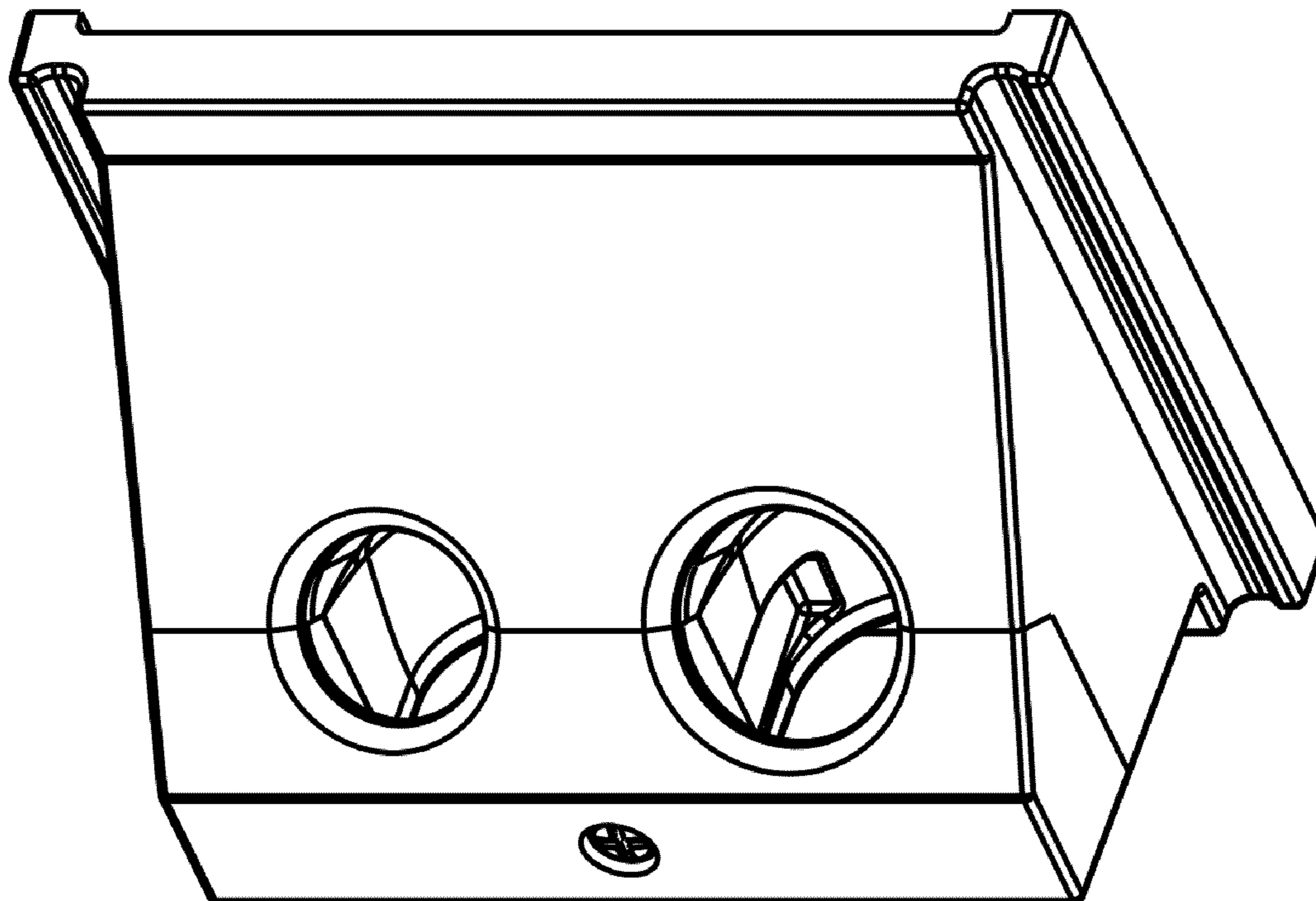
(52) **U.S. Cl.**
USPC **D13/155**

(58) **Field of Classification Search**
USPC D13/155, 133, 147, 153, 154, 156,
D13/184, 199; D8/349, 354, 356; 174/68.3,
174/72 A, 95, 99 R, 101; 248/56, 57, 59

FIG. 1 is an isometric view of a cable pass thru module showing our new design;
FIG. 2 is a front elevation view thereof;
FIG. 3 is a right elevation view thereof;
FIG. 4 is a left elevation view thereof;
FIG. 5 is a top plan view thereof; and,
FIG. 6 is a bottom plan view thereof.

See application file for complete search history.

1 Claim, 6 Drawing Sheets



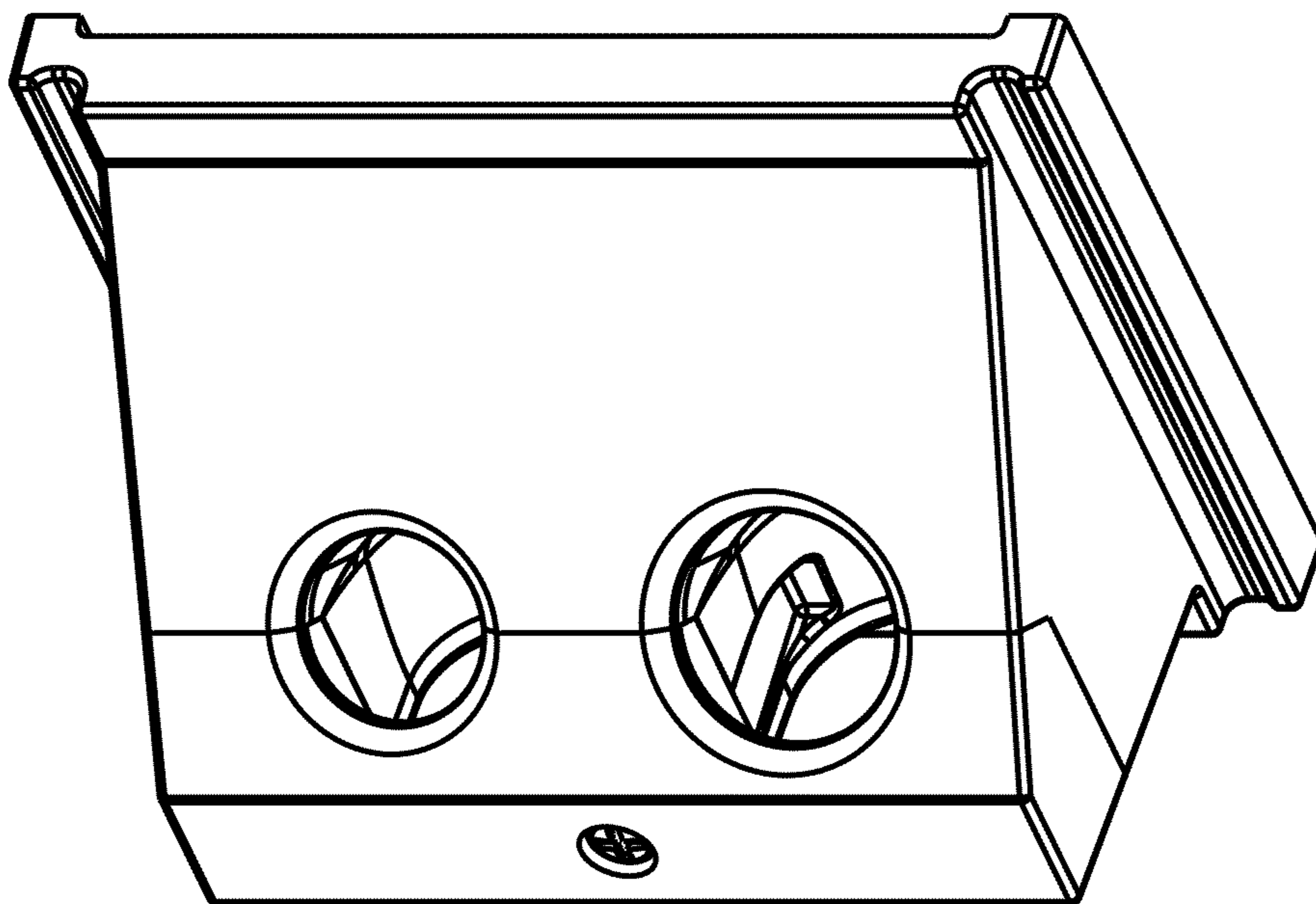


FIGURE 1

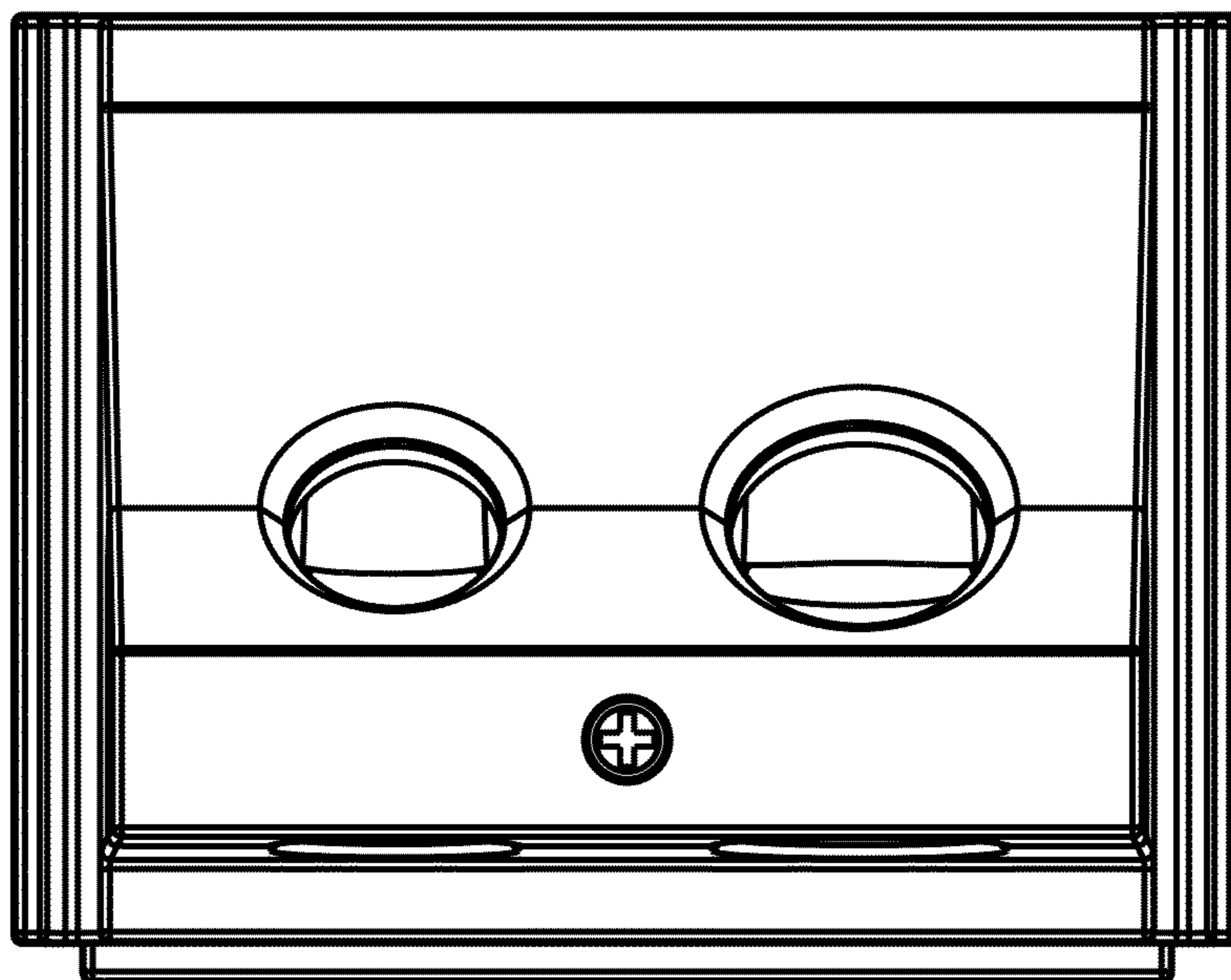


FIGURE 2

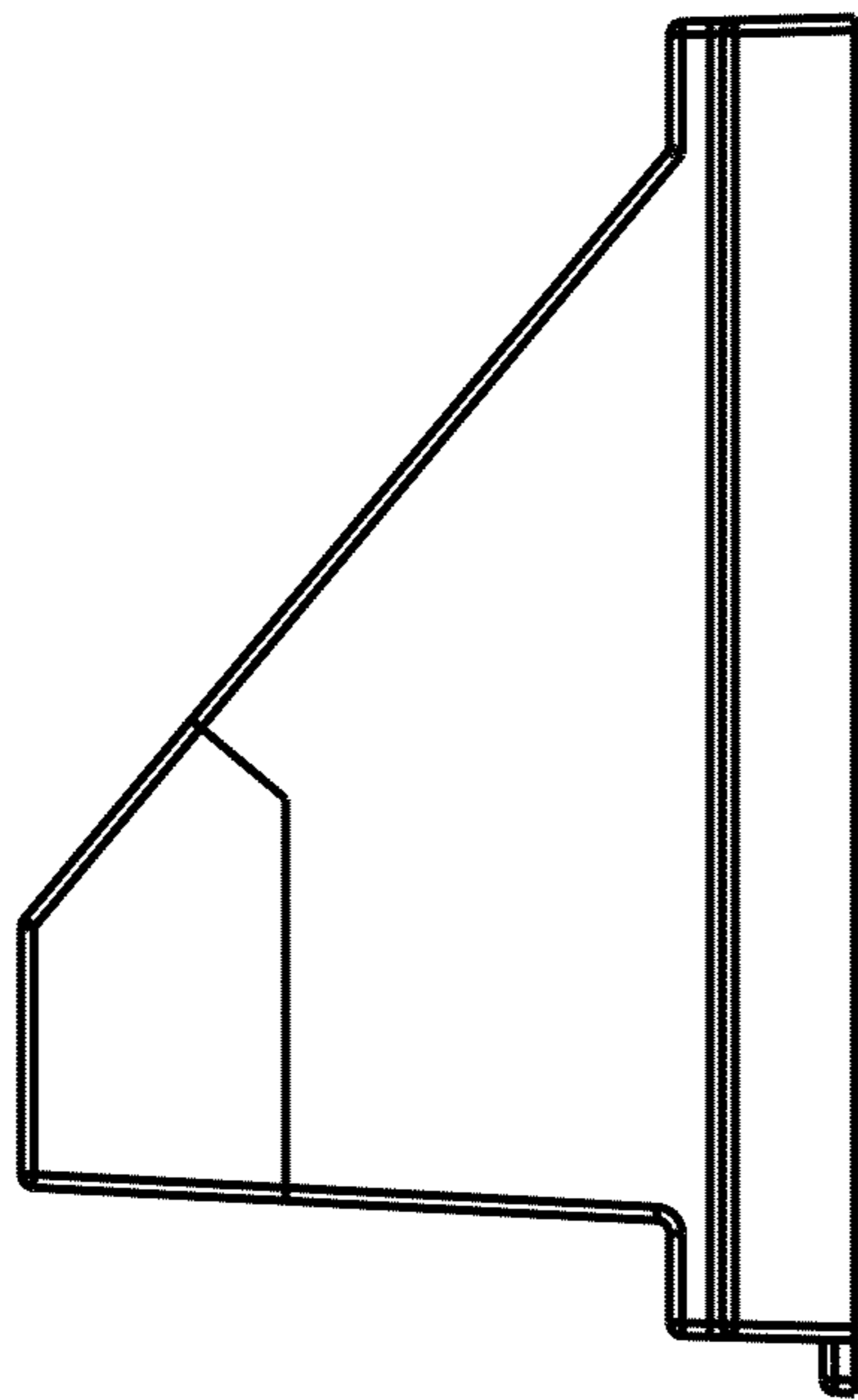


FIGURE 3

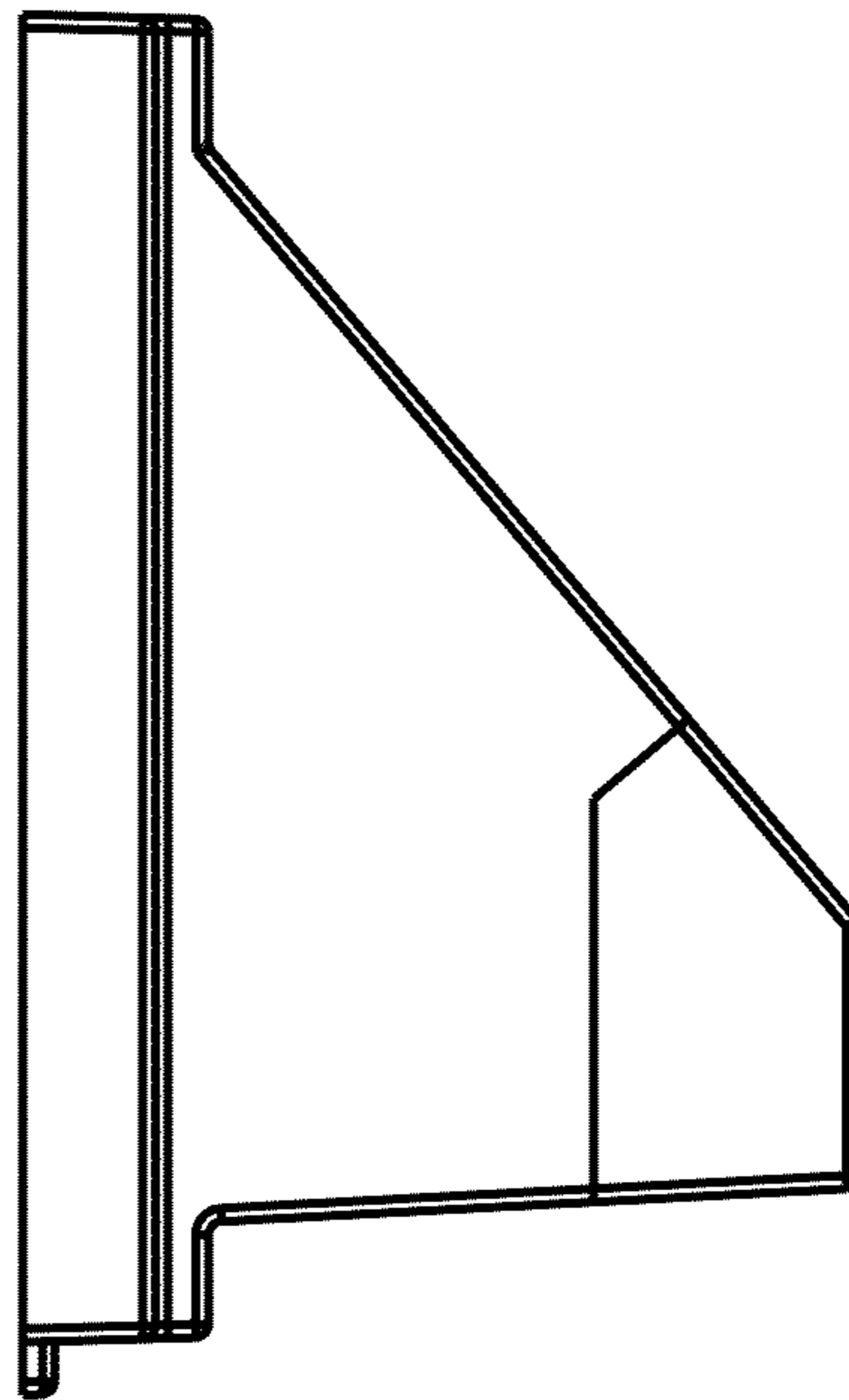


FIGURE 4

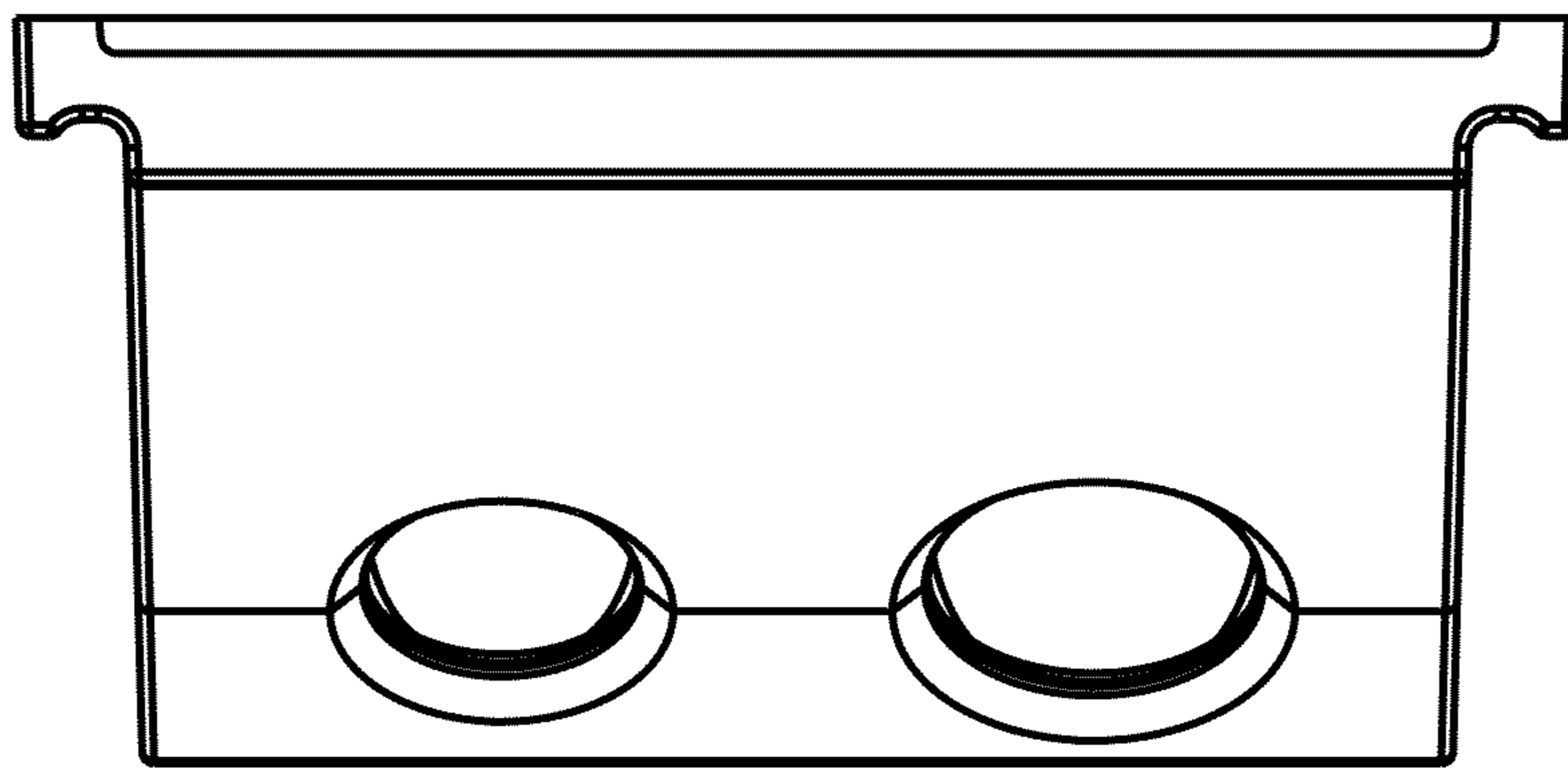


FIGURE 5

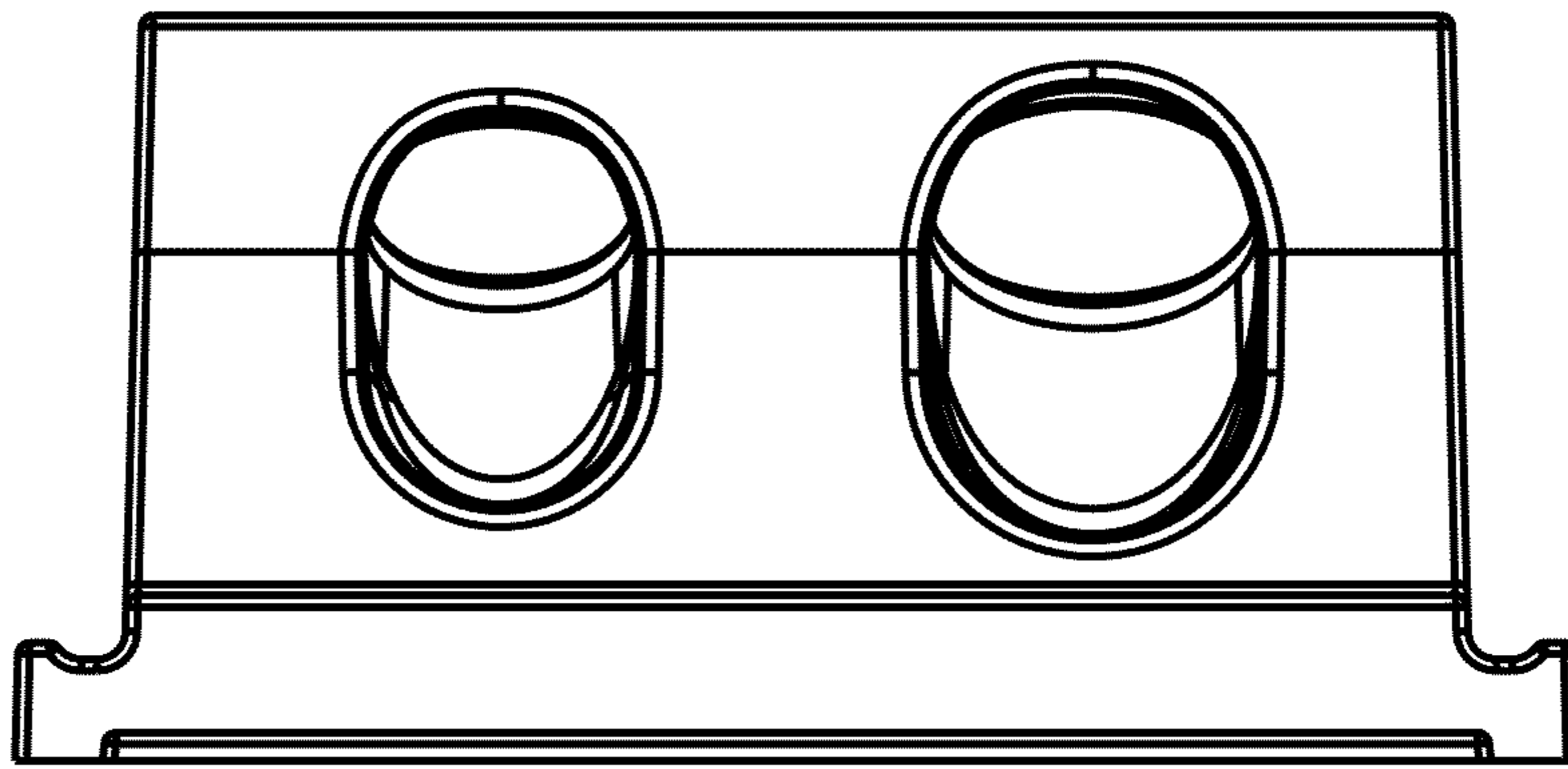


FIGURE 6