



US00D685330S

(12) **United States Design Patent**
Fitch et al.

(10) **Patent No.:** **US D685,330 S**
(45) **Date of Patent:** **** Jul. 2, 2013**

(54) **CHARGER**

(71) Applicant: **Eveready Battery Company, Inc.**, St. Louis, MO (US)
(72) Inventors: **Jonathan A. Fitch**, Syracuse, NY (US);
Donwoong Kang, Camillus, NY (US);
Scott W. Osiecki, Skaneateles, NY (US)

(73) Assignee: **Eveready Battery Company, Inc.**, St. Louis, MO (US)

(**) Term: **14 Years**

(21) Appl. No.: **29/433,093**

(22) Filed: **Sep. 26, 2012**

(51) **LOC (9) Cl.** **13-03**

(52) **U.S. Cl.**
USPC **D13/144**

(58) **Field of Classification Search**
USPC D13/144, 101, 107, 108, 110, 118,
D13/119, 133, 184, 199; D14/155, 432, 434,
D14/435.1, 356, 480.1, 480.7; 320/107, 108,
320/109, 110, 111, 112, 113, 114, 115; 439/300,
439/620.01, 638, 668, 669, 675, 825; 363/146

See application file for complete search history.

(56) **References Cited**

U.S. PATENT DOCUMENTS

D406,261	S	*	3/1999	Kettula et al.	D13/144
D442,543	S	*	5/2001	Krumenacker et al.	D13/107
D492,249	S	*	6/2004	Suomalainen et al.	D13/108
D494,542	S	*	8/2004	Hriscu et al.	D13/110
7,679,322	B1	*	3/2010	Griffin	320/114
D613,692	S	*	4/2010	Son et al.	D13/144
D620,441	S	*	7/2010	Hou	D13/144

* cited by examiner

Primary Examiner — Derrick Holland

(74) *Attorney, Agent, or Firm* — Eveready Battery Company, Inc

(57) **CLAIM**

We claim the ornamental design for a charger, as shown and described.

DESCRIPTION

FIG. 1 is a top perspective view of a charger showing our new design;

FIG. 2 is a bottom perspective view thereof;

FIG. 3 is a top plan view thereof;

FIG. 4 is a bottom plan view thereof;

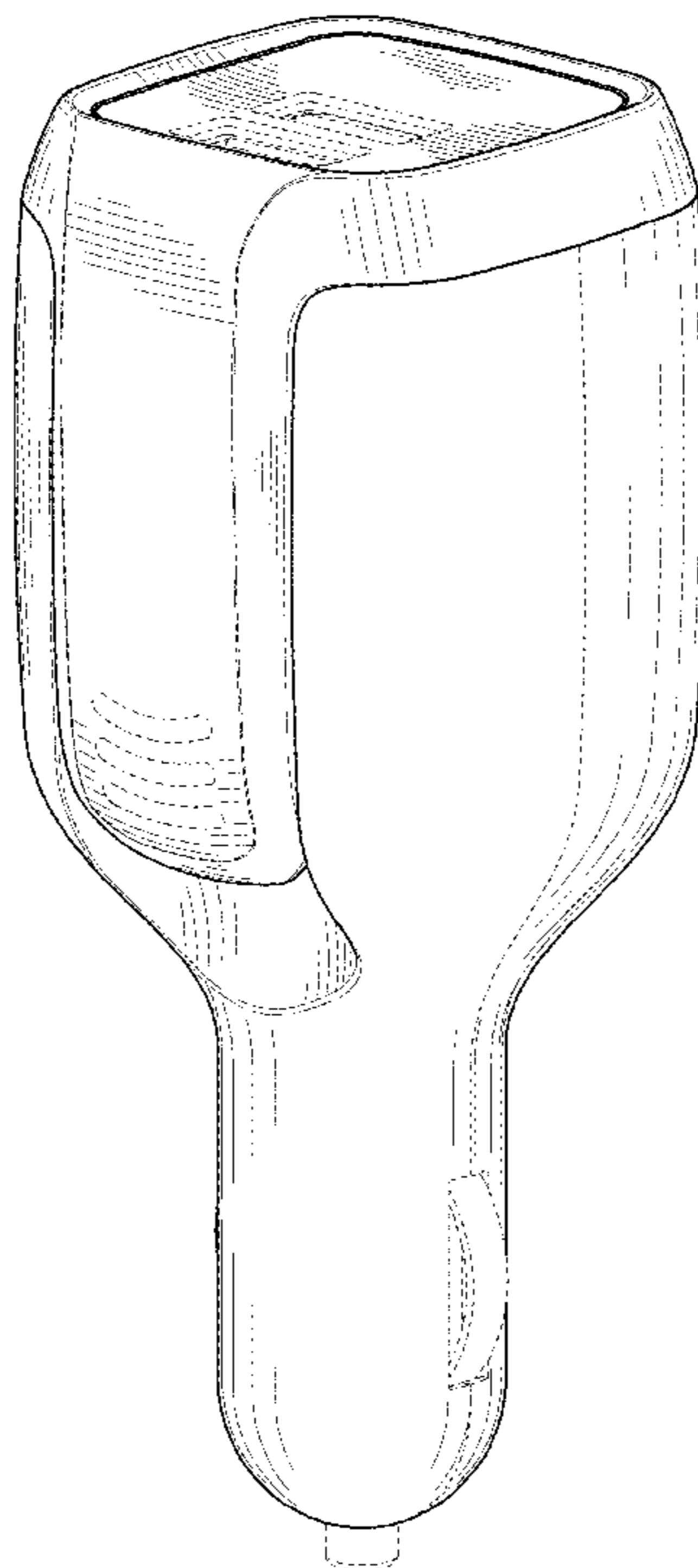
FIG. 5 is a right side view thereof, the left side view being a mirror image;

FIG. 6 is a front view thereof; and,

FIG. 7 is a rear view thereof.

The broken lines shown represent unclaimed subject matter and form no part of the claimed design.

1 Claim, 4 Drawing Sheets



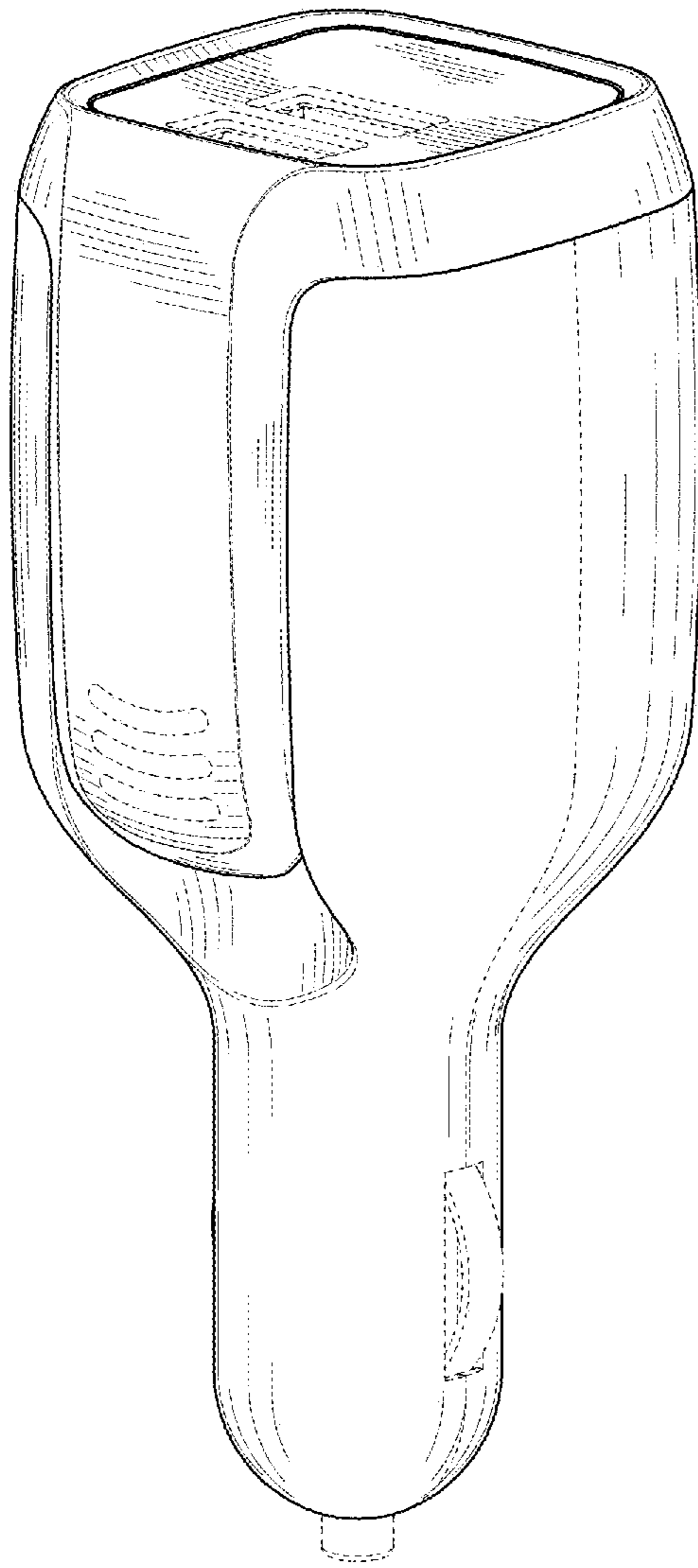


Fig. 1

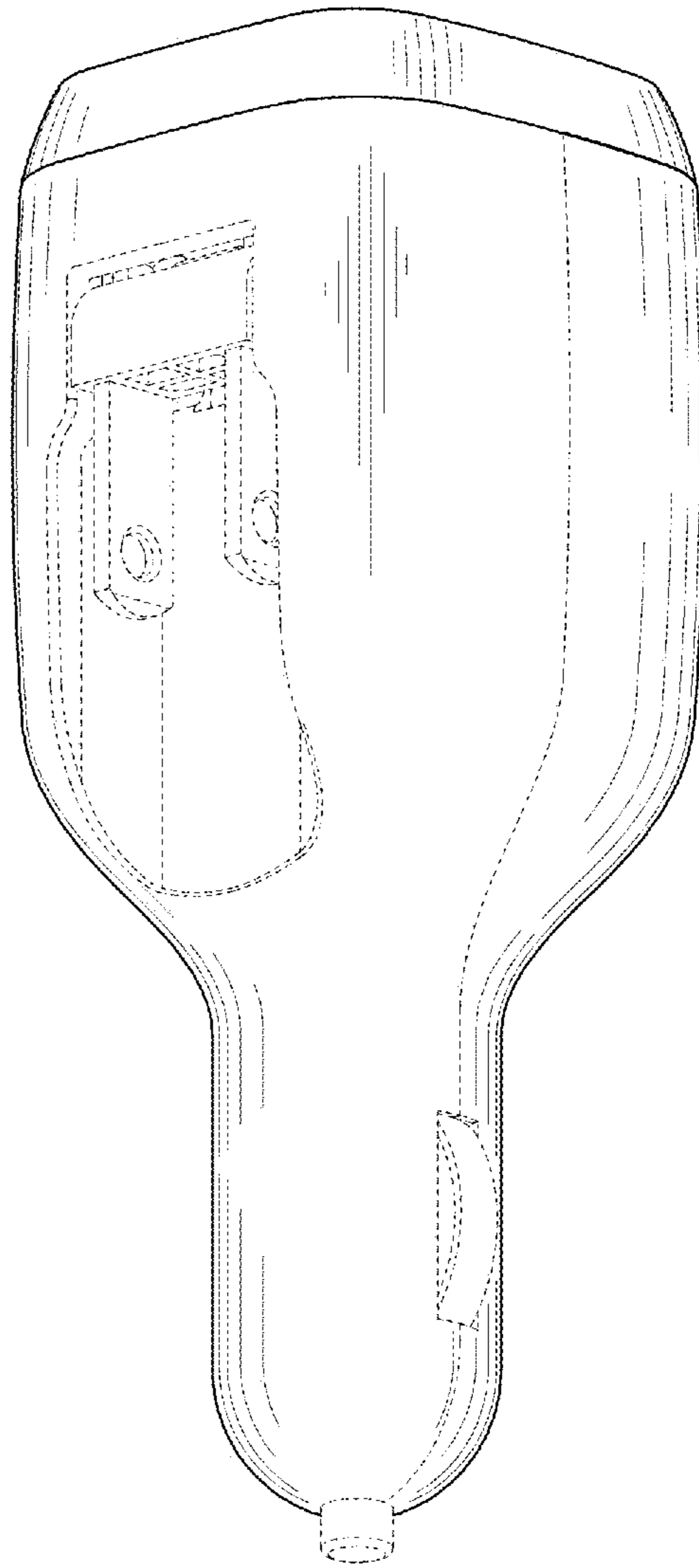


Fig. 2

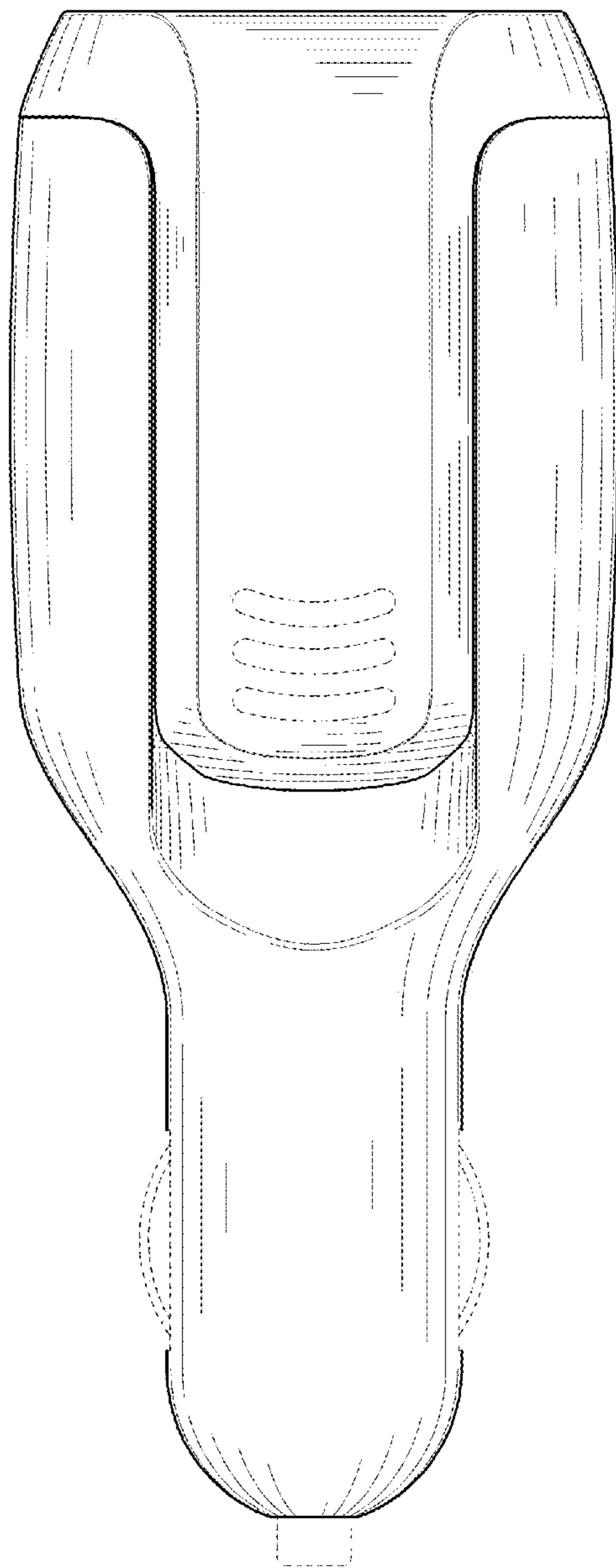


Fig. 3

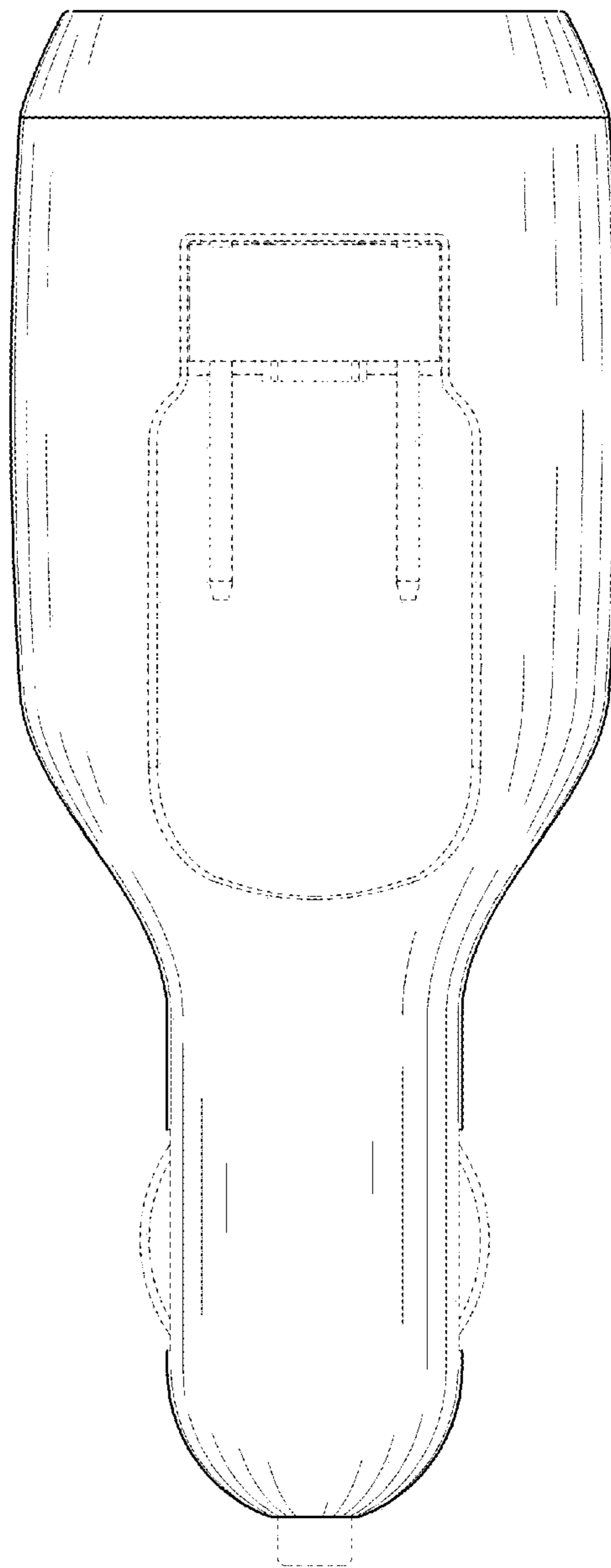


Fig. 4

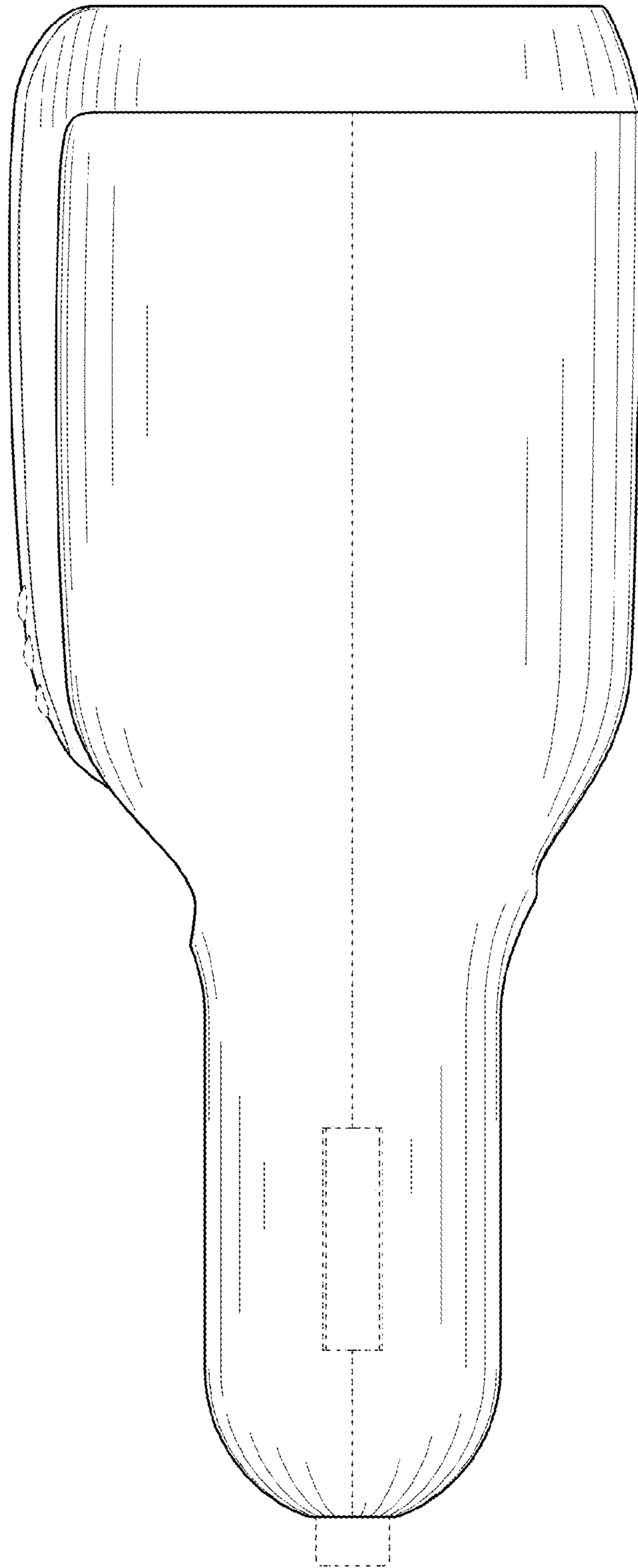


Fig. 5

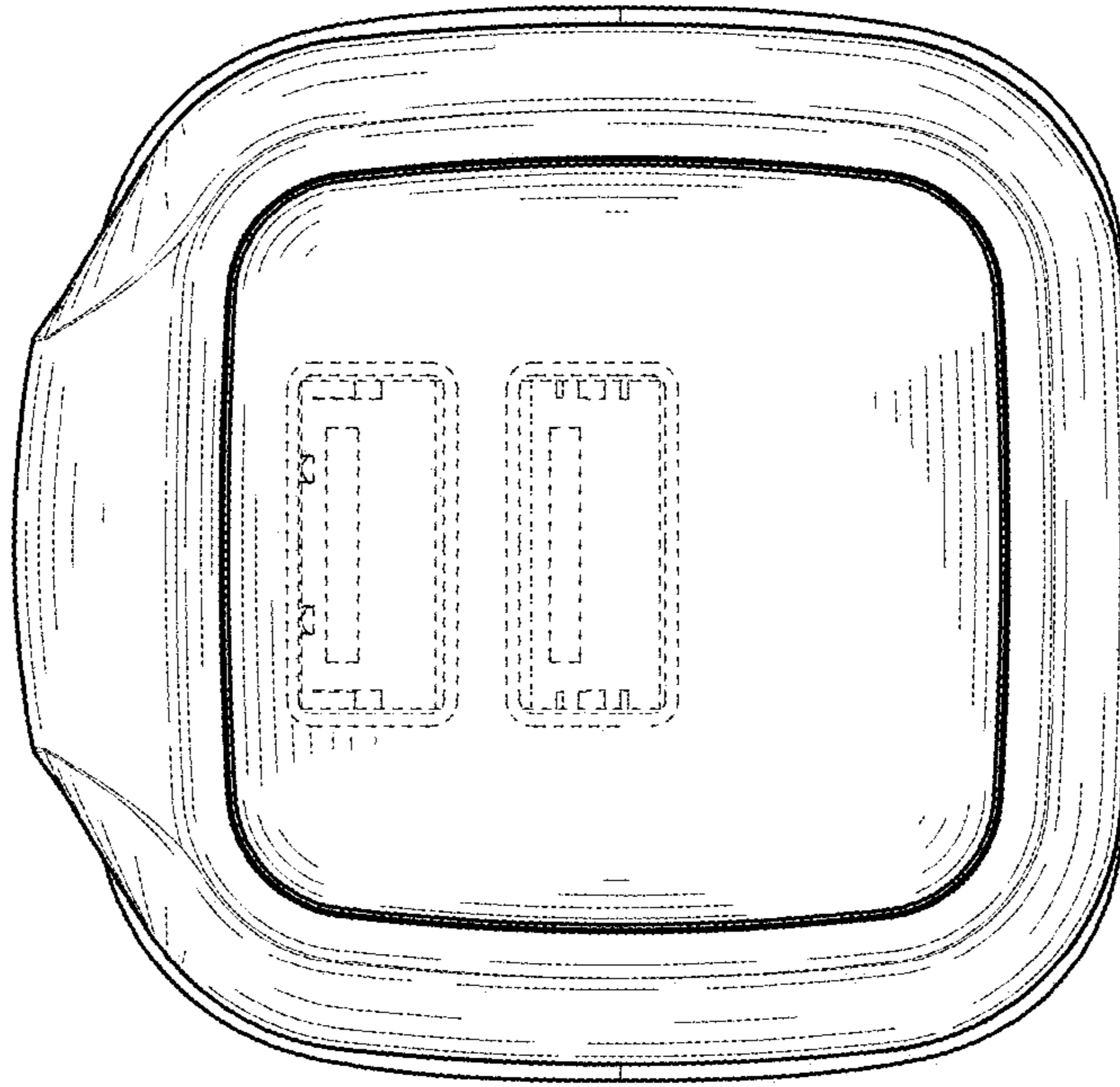


Fig. 6

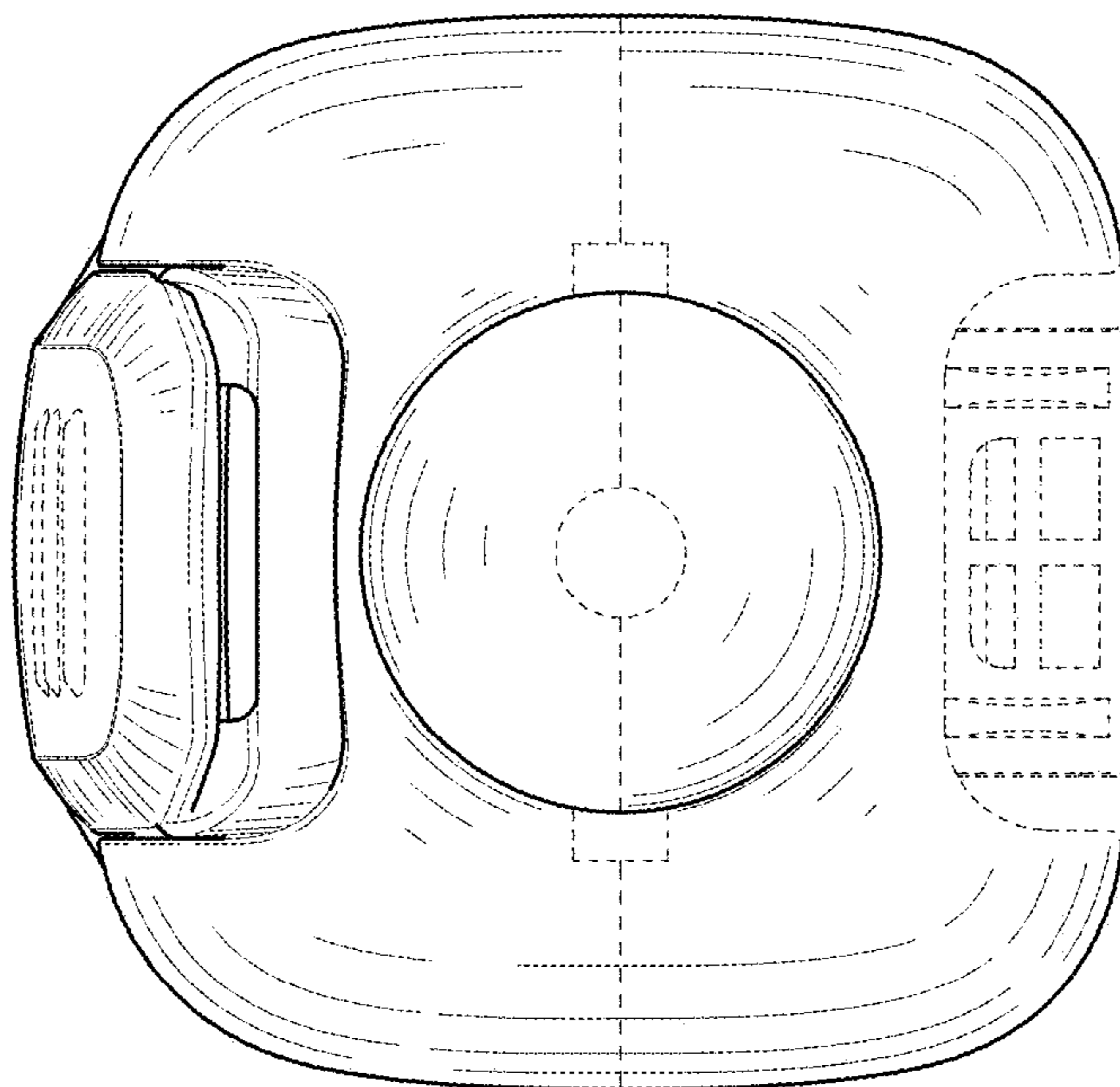


Fig. 7