



US00D685329S

(12) **United States Design Patent**
Byrne et al.

(10) **Patent No.:** **US D685,329 S**
(45) **Date of Patent:** **** Jul. 2, 2013**

(54) **POWER AND DATA CENTER**

(76) Inventors: **Norman R. Byrne**, Ada, MI (US);
Randell E. Pate, Jenison, MI (US);
Christa R. Anderson, Walker, MI (US);
Matthew R. Andree, Rockford, MI (US)

(**) Term: **14 Years**

(21) Appl. No.: **29/424,160**

(22) Filed: **Jun. 8, 2012**

(51) **LOC (9) Cl.** **13-03**

(52) **U.S. Cl.**
USPC **D13/139.4**

(58) **Field of Classification Search**
USPC D13/107, 109, 110, 112, 114, 130,
D13/132, 137, 137.1, 137.2, 137.3, 137.4,
D13/138.1, 139.1, 139.2, 139.4, 139.5, 139.7,
D13/139.8, 146, 147, 152, 160, 161, 164,
D13/199

See application file for complete search history.

(56) **References Cited**

U.S. PATENT DOCUMENTS

6,028,267 A 2/2000 Byrne
D454,541 S * 3/2002 Gershfeld D13/139.4

(Continued)

FOREIGN PATENT DOCUMENTS

WO 2011156814 A1 12/2011

OTHER PUBLICATIONS

http://www.d-4.co.za/pivot_range_in_desk_electrical_outlet.html.*

(Continued)

Primary Examiner — Robert M Spear

Assistant Examiner — Rhea Shields

(74) *Attorney, Agent, or Firm* — Gardner, Linn, Burkhardt & Flory, LLP

(57) **CLAIM**

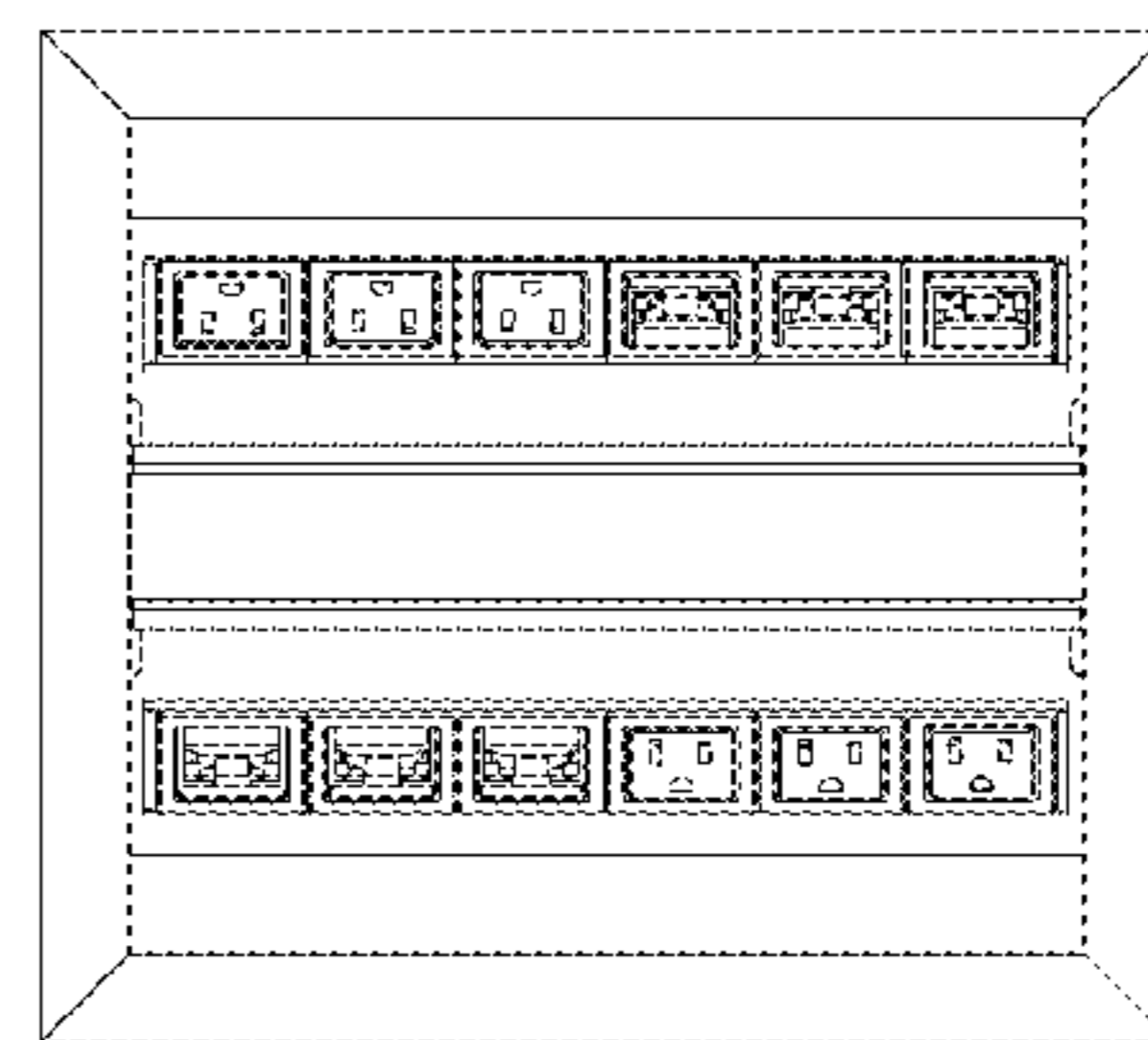
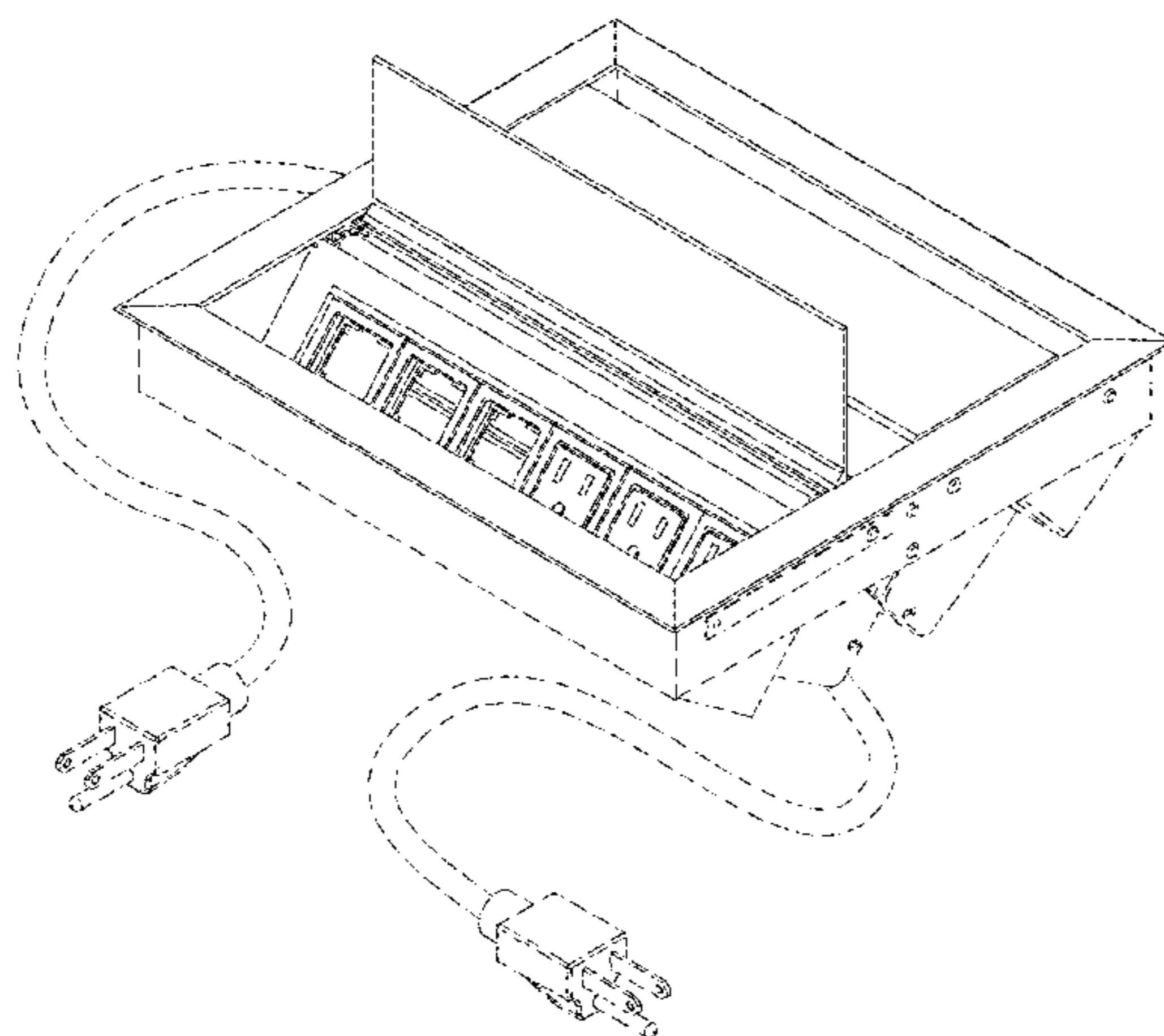
The ornamental design for a power and data center, as shown and described.

DESCRIPTION

FIG. 1 is a perspective view of the power and data center showing our new design with a first cover raised and a second cover lowered, taken from above and to the right-front side; FIG. 2 is another perspective view of the power and data center of FIG. 1, taken from above and to the left-front side; FIG. 3 is another perspective view of the power and data center of FIG. 1, taken from above and to the left-rear side; FIG. 4 is a front elevation of the power and data center of FIG. 1; FIG. 5 is a rear elevation of the power and data center of FIG. 1; FIG. 6 is a top plan view of the power and data center of FIG. 1; FIG. 7 is a bottom plan view of the power and data center of FIG. 1; FIG. 8 is a left side elevation of the power and data center of FIG. 1; FIG. 9 is a right side elevation of the power and data center of FIG. 1; FIG. 10 is another perspective view of the power and data center of FIG. 1, shown with both the first and second covers raised, taken from above and to the right-front side; FIG. 11 is a top plan view of the power and data center of FIG. 10; FIG. 12 is a right side elevation of the power and data center of FIG. 10; FIG. 13 is another perspective view of the power and data center of FIG. 1, shown with both the first and second covers lowered, taken from above and to the right-front side; FIG. 14 is a top plan view of the power and data center of FIG. 13; and, FIG. 15 is a right side elevation of the power and data center of FIG. 13.

The broken lines are included for the purpose of illustrating portions of the power and data center that form no part of the claimed design.

1 Claim, 6 Drawing Sheets



US D685,329 S

Page 2

U.S. PATENT DOCUMENTS

D463,775 S 10/2002 Byrne
D467,230 S 12/2002 Byrne
D468,701 S 1/2003 Byrne
D472,213 S * 3/2003 Byrne D13/139.4
D498,211 S * 11/2004 Thibault D13/155
D526,961 S * 8/2006 Kissinger et al. D13/139.4
D535,257 S * 1/2007 Byrne D13/139.4
D537,039 S * 2/2007 Pincek D13/139.4
D622,219 S 8/2010 Byrne
D626,069 S * 10/2010 Byrne D13/139.4
D626,070 S * 10/2010 Byrne D13/139.4
D639,244 S * 6/2011 Byrne D13/139.4
D649,514 S * 11/2011 Byrne D13/139.4
D660,237 S * 5/2012 Byrne D13/139.4
D665,355 S * 8/2012 Byrne D13/139.4

D666,556 S * 9/2012 Byrne D13/139.4
2008/0200050 A1 8/2008 Byrne
2009/0142947 A1 6/2009 Byrne
2010/0178797 A1 7/2010 Byrne
2010/0195288 A1 8/2010 Byrne
2010/0227498 A1 9/2010 Byrne
2011/0095724 A1 4/2011 Byrne
2011/0177714 A1 7/2011 Byrne

OTHER PUBLICATIONS

http://www.alibaba.com/product-gs/516126812/Network_and_AC_power_table_outlet.ht . . . *
Commonly owned U.S. Appl. No. 29/424,162, filed Jun. 8, 2012, for "Pivoting Power and Data Center".

* cited by examiner

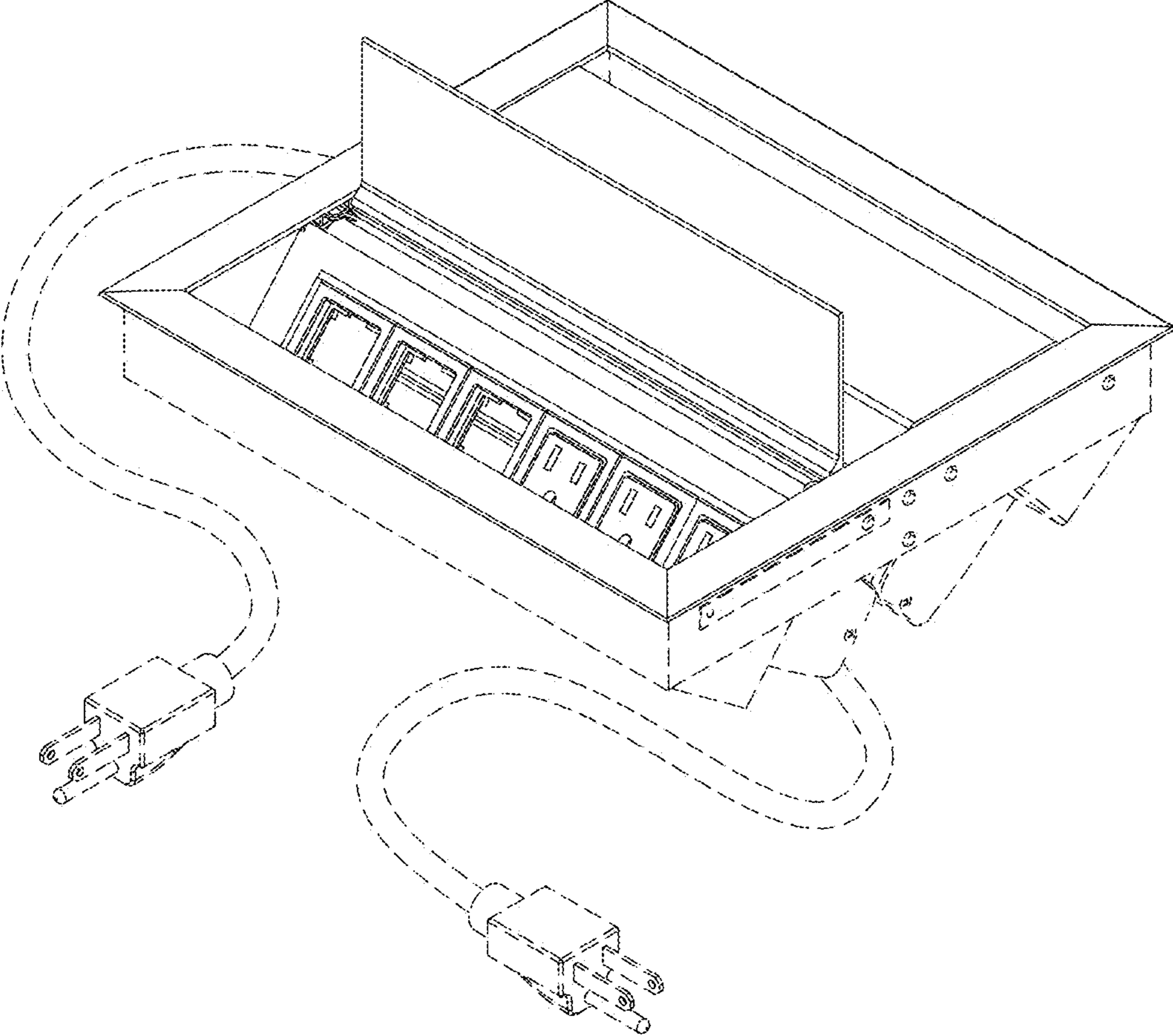


Fig. 1

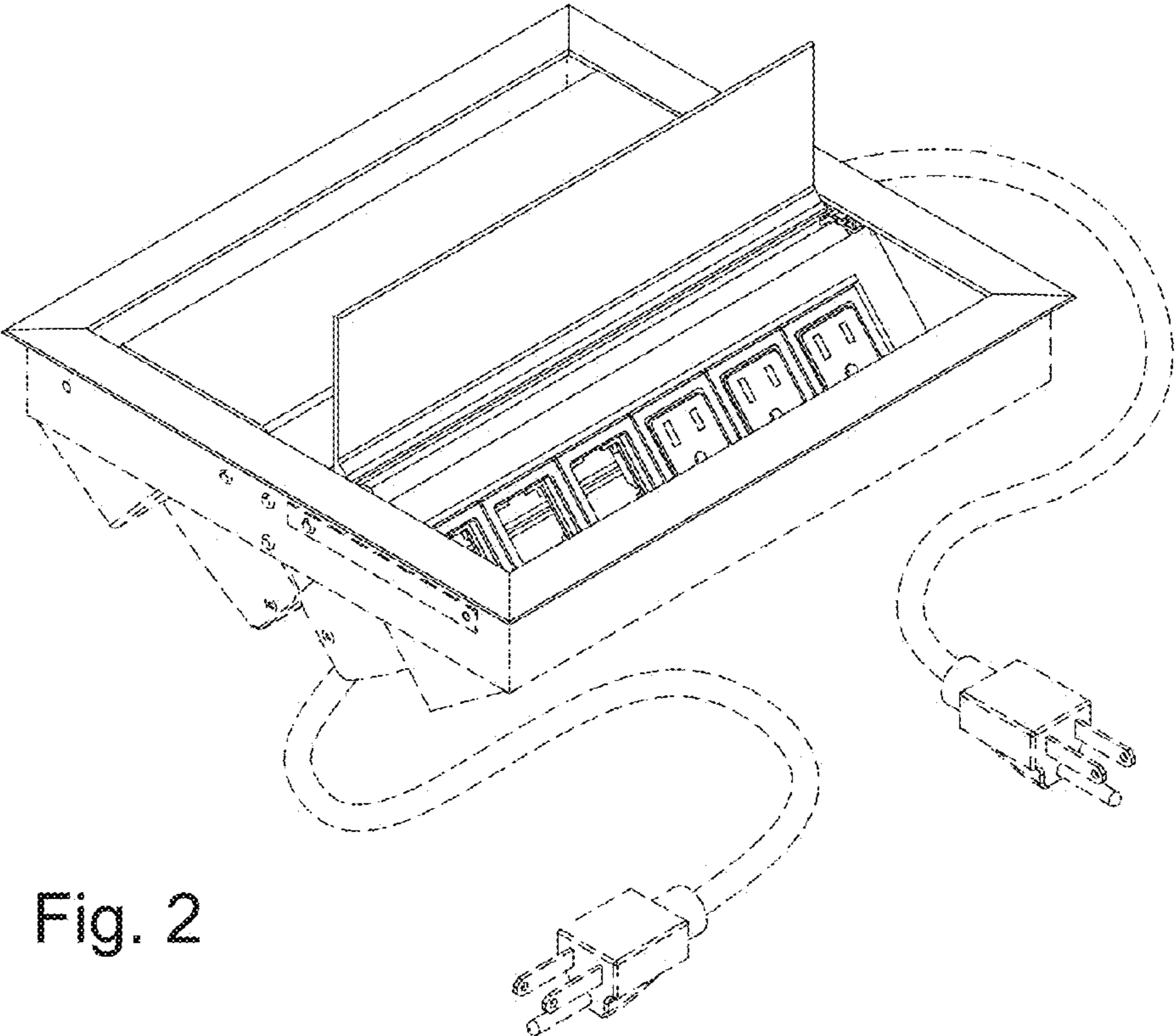


Fig. 2

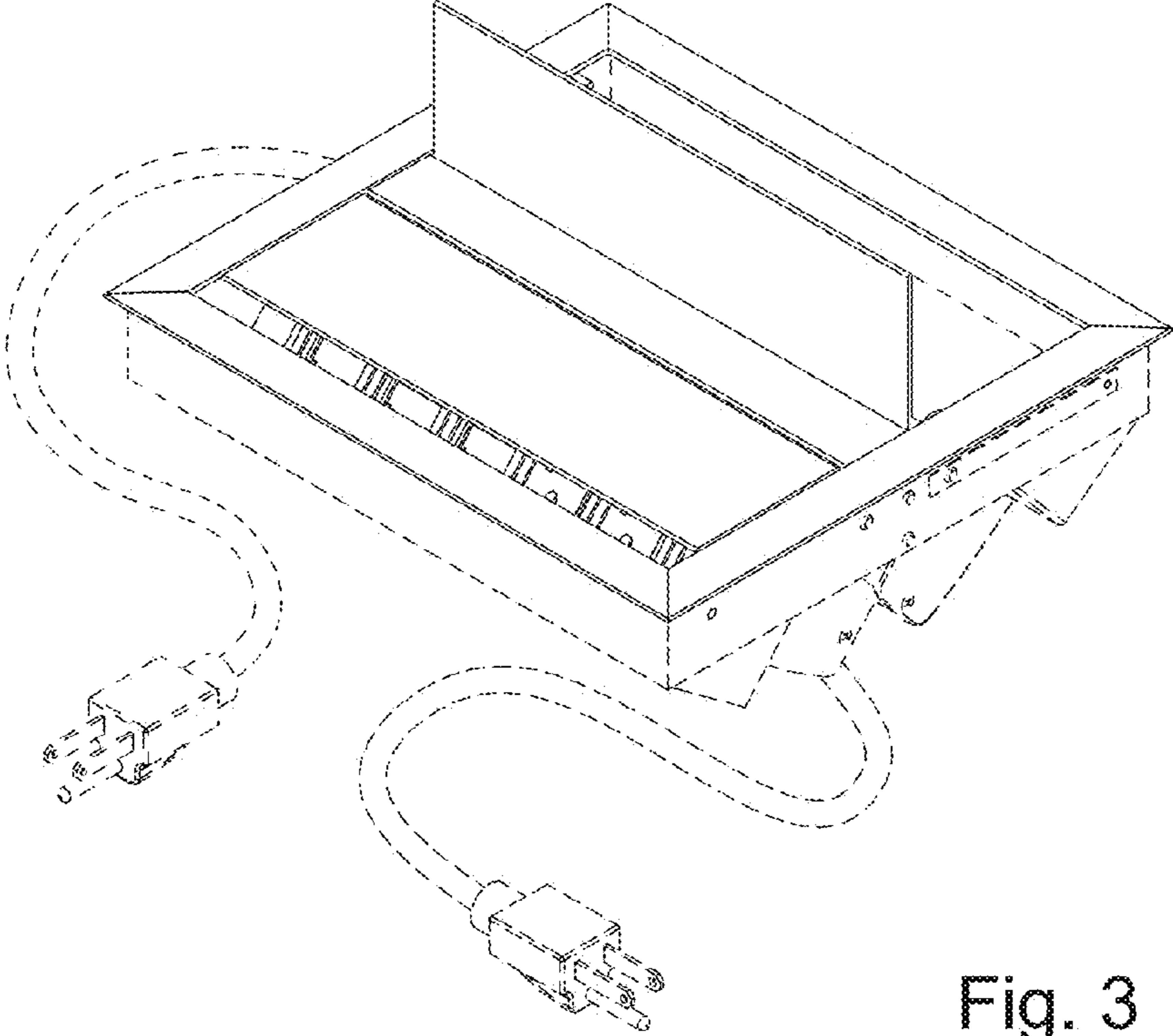


Fig. 3



Fig. 4

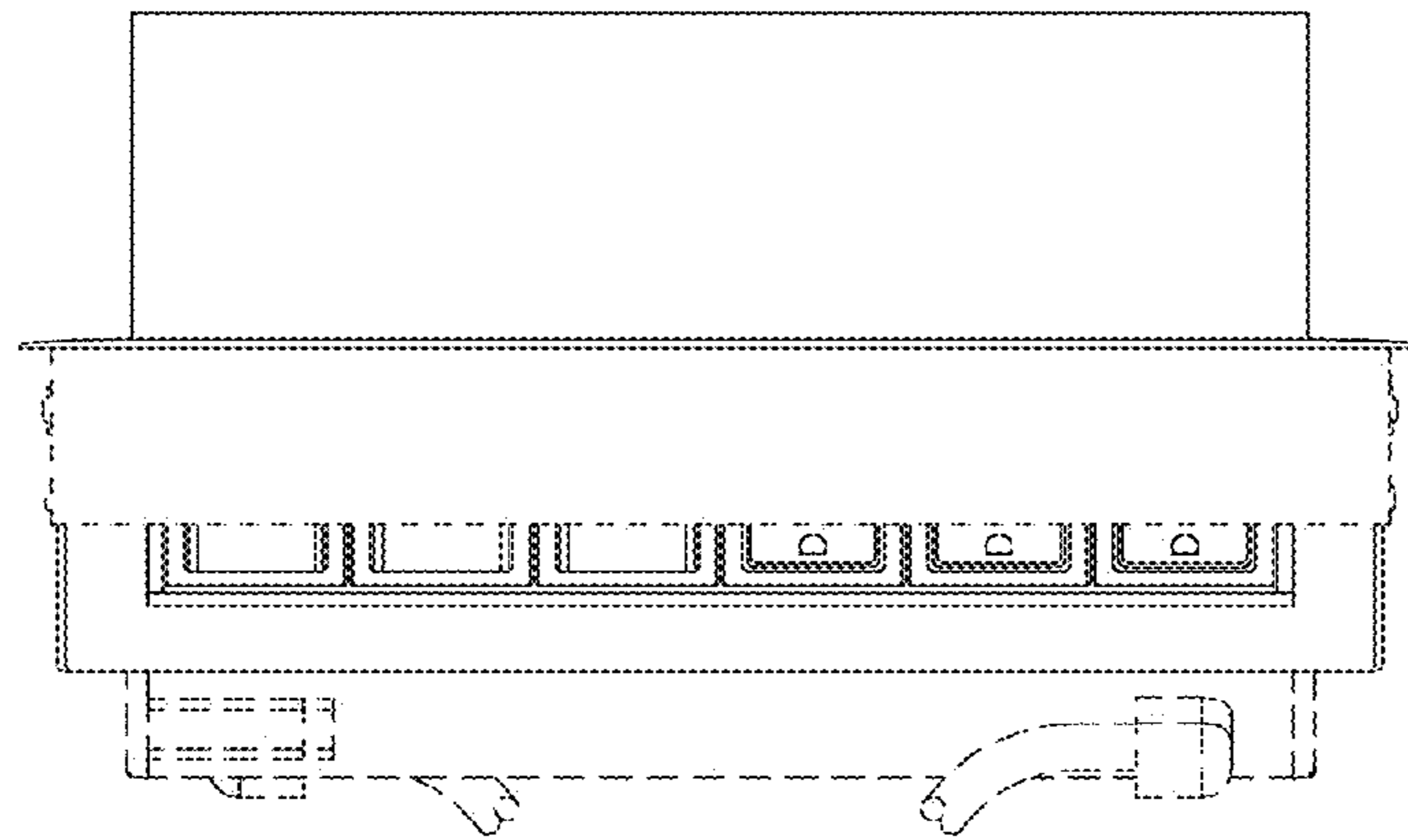


Fig. 5

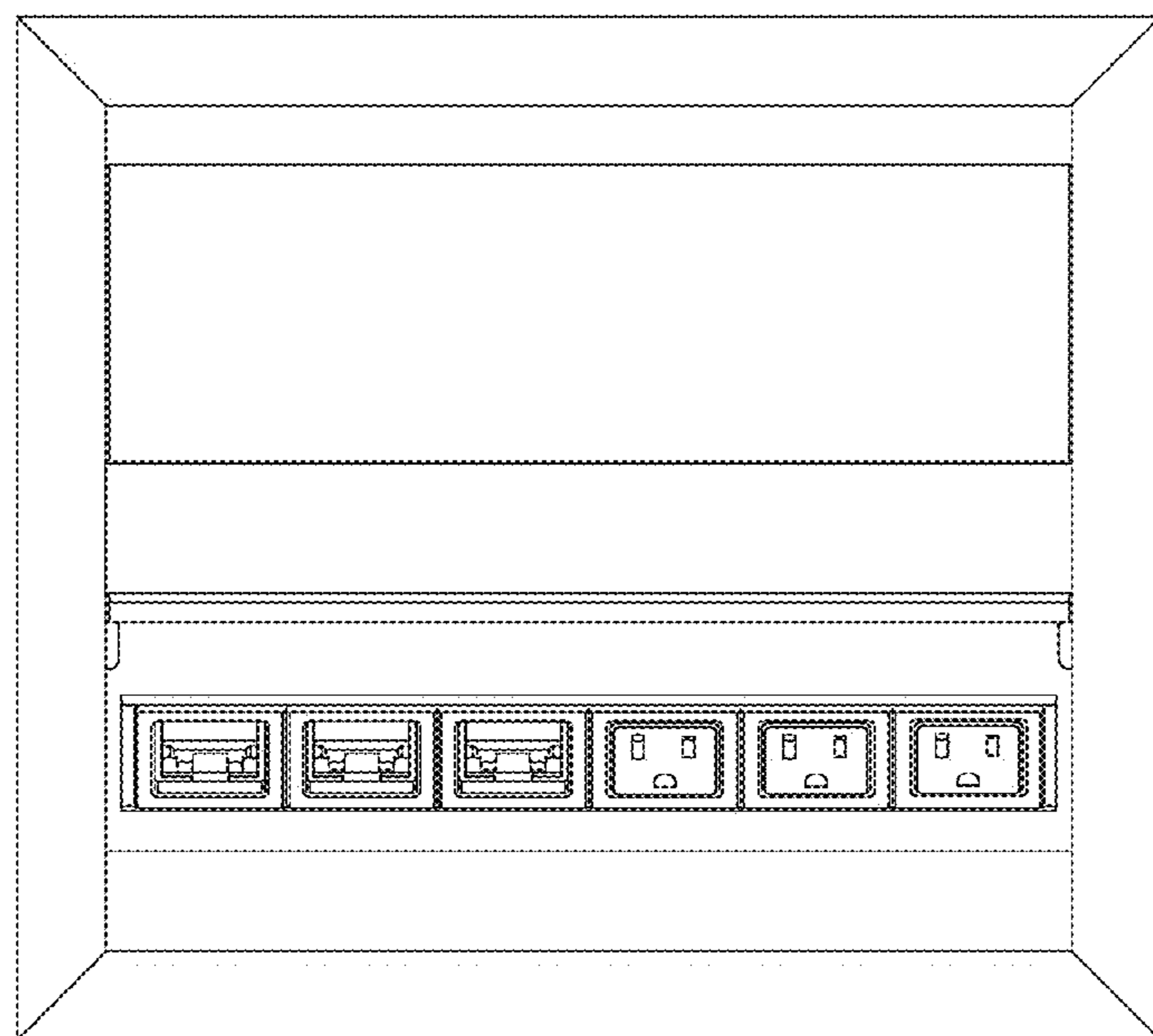


Fig. 6

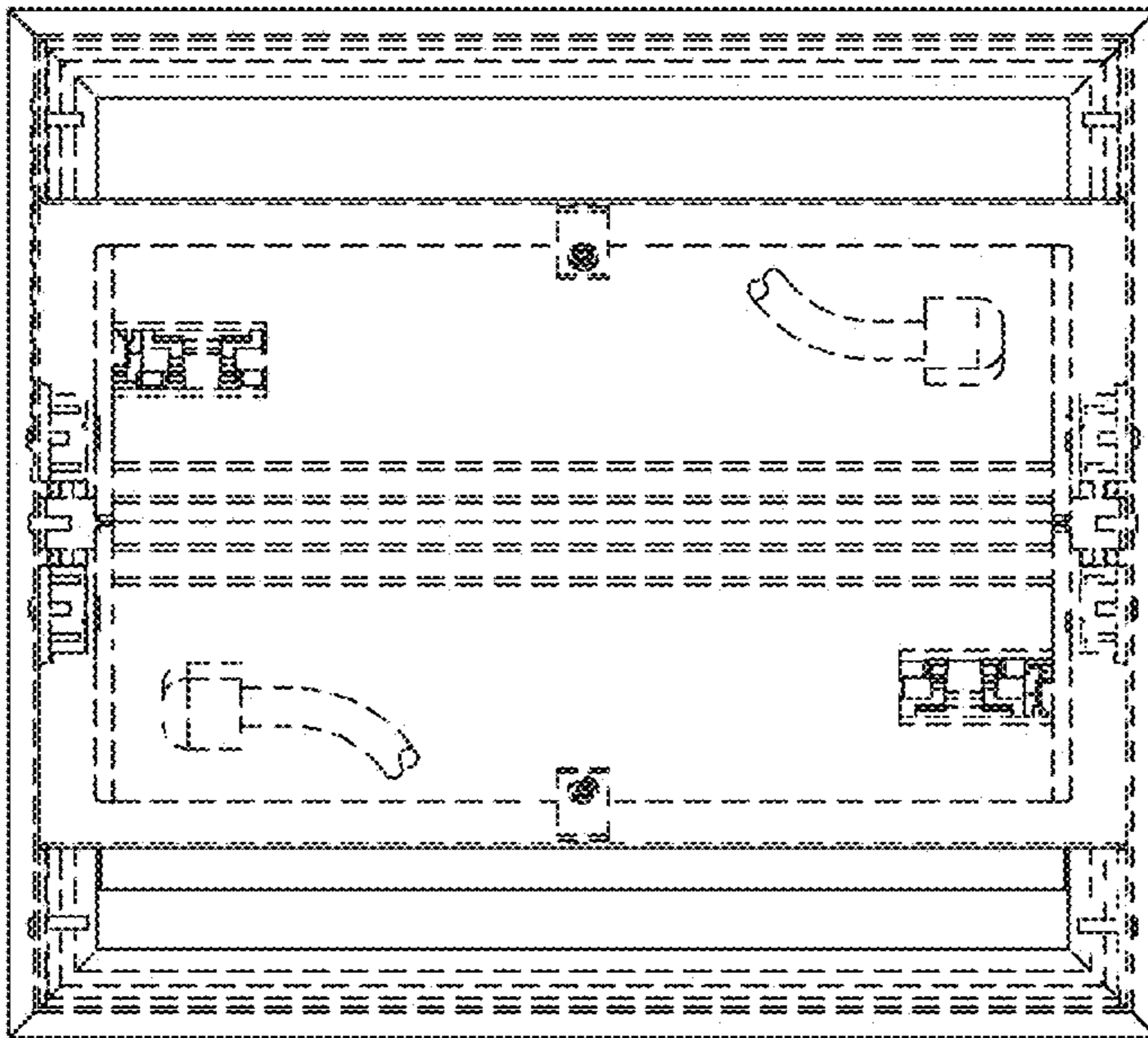


Fig. 7

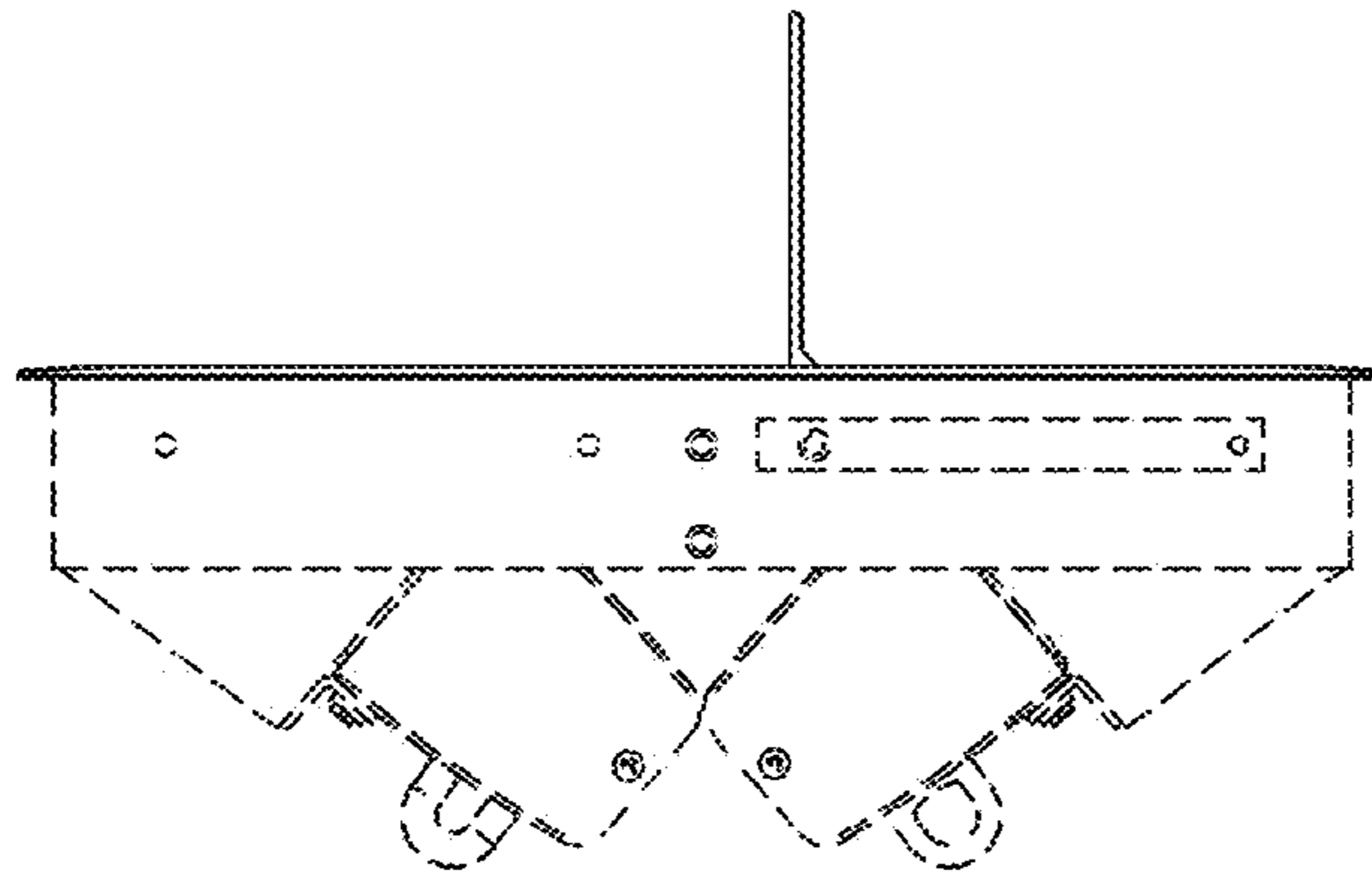


Fig. 8

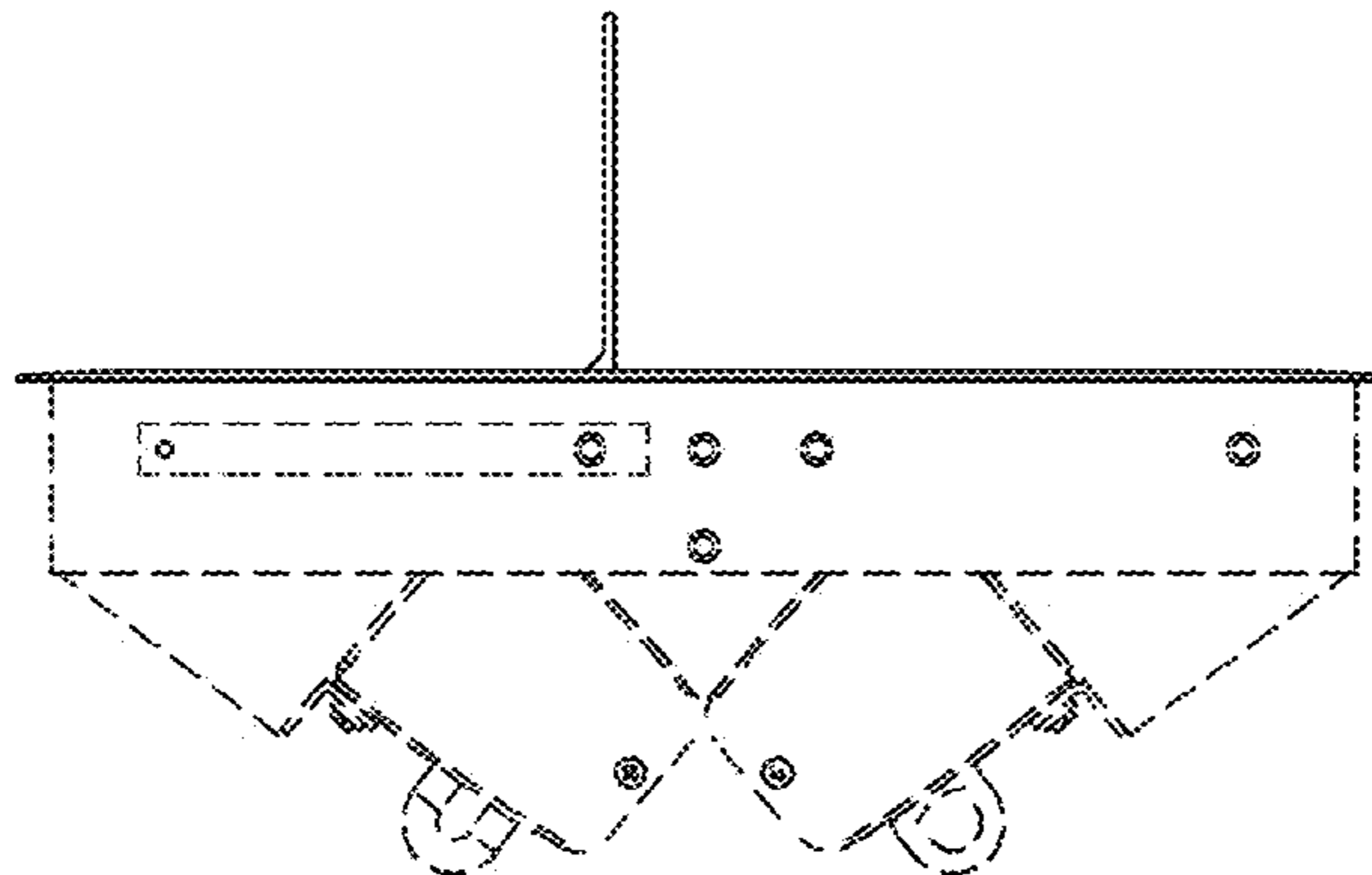


Fig. 9

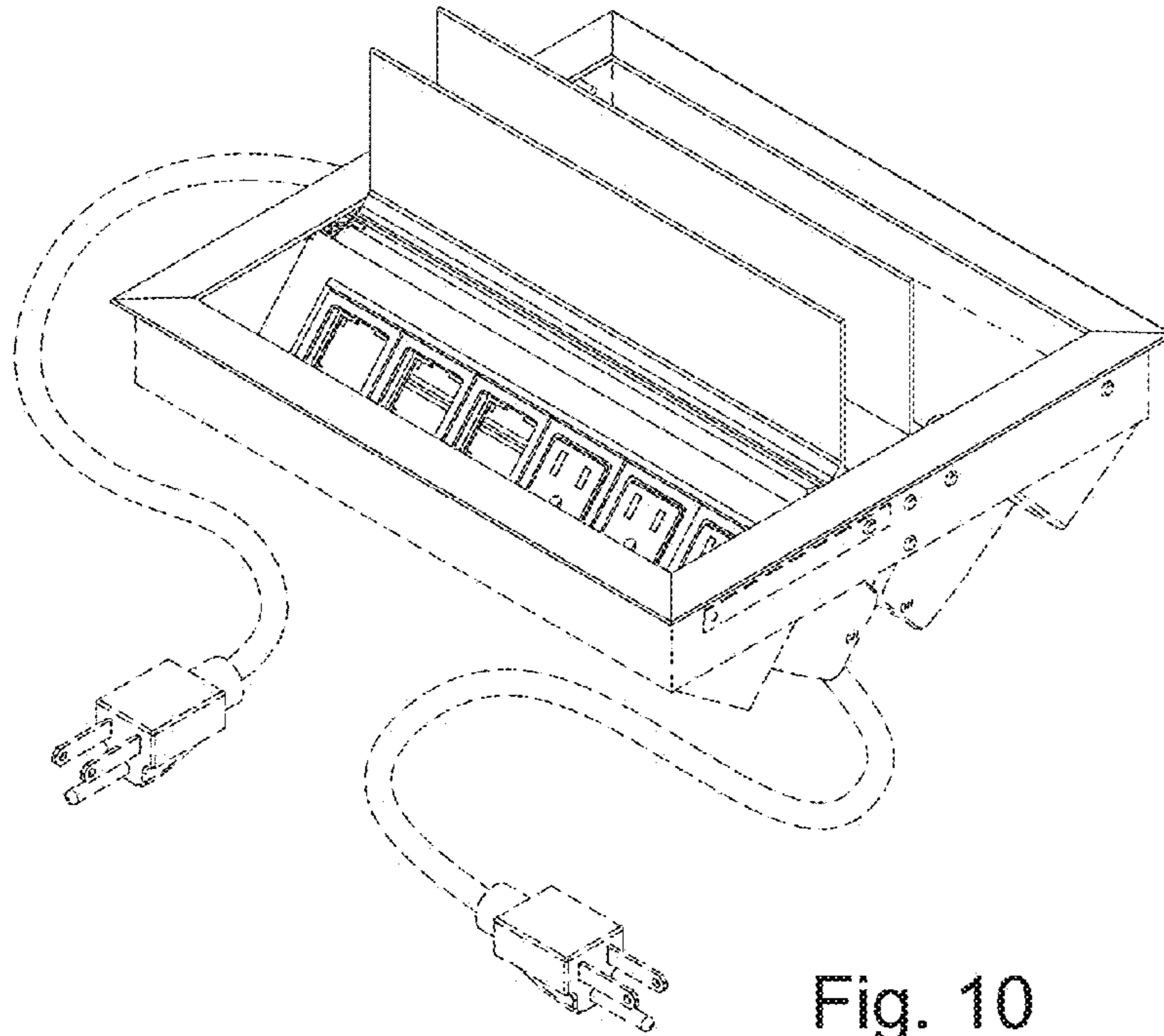


Fig. 10

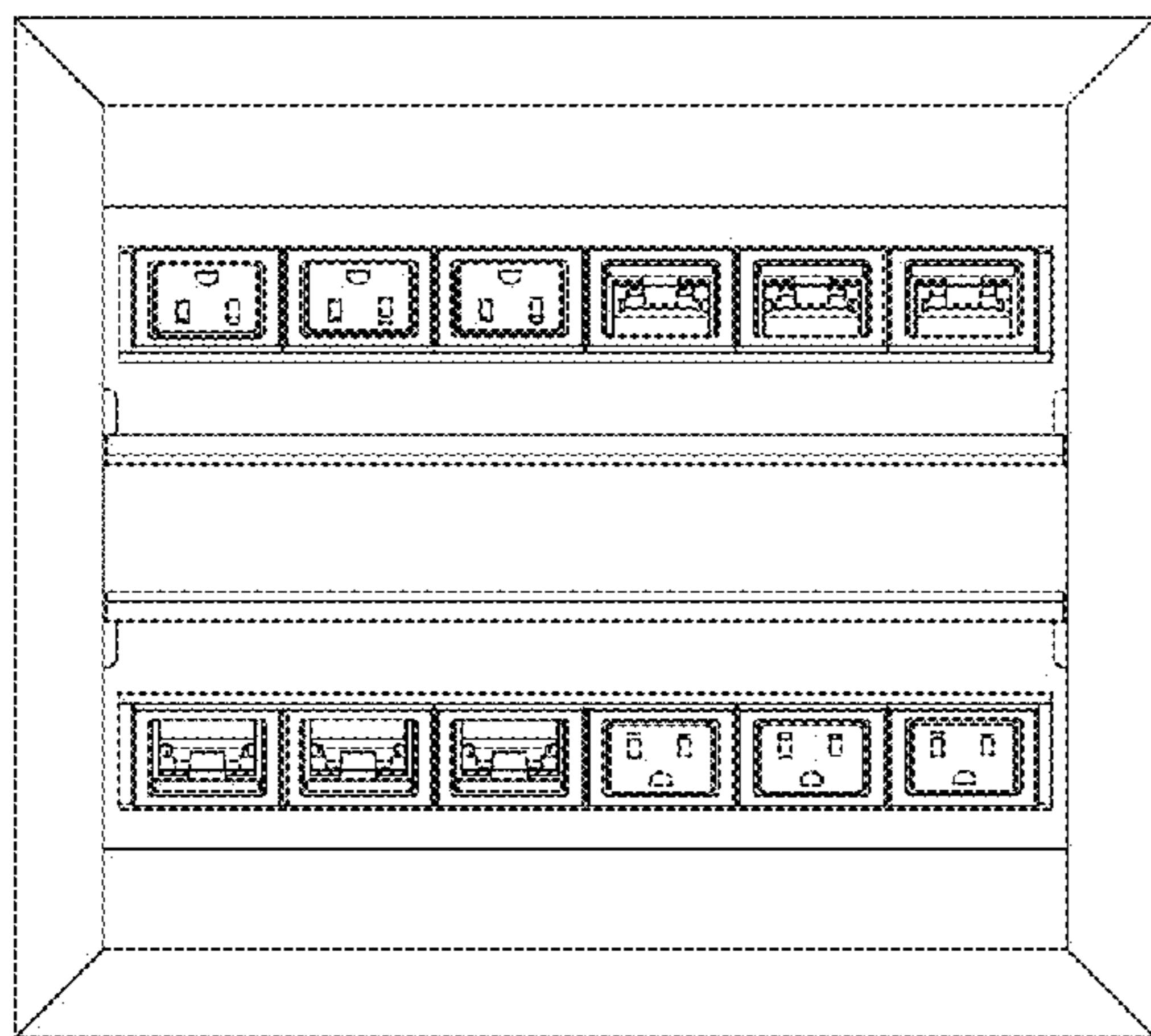


Fig. 11

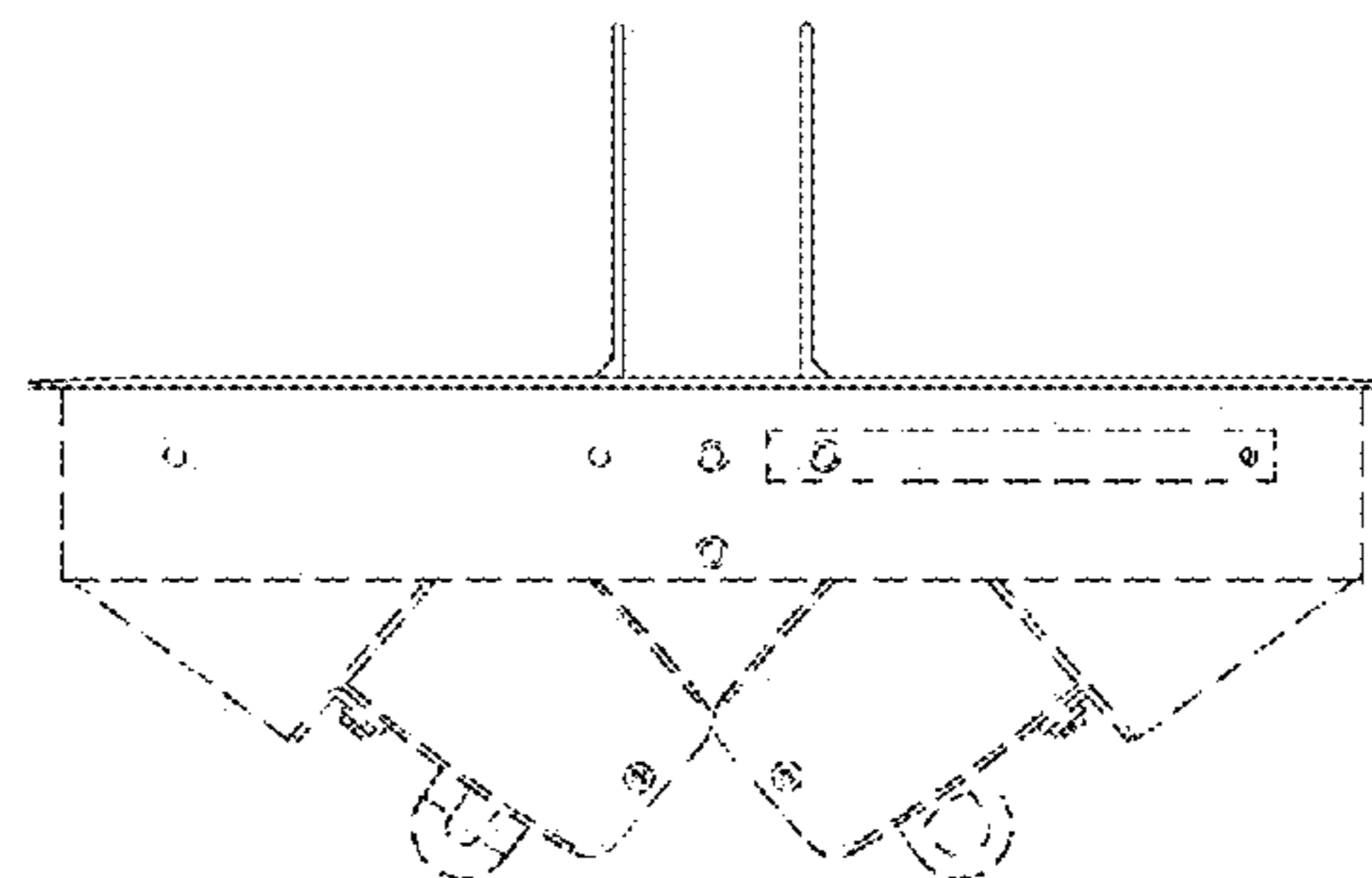


Fig. 12

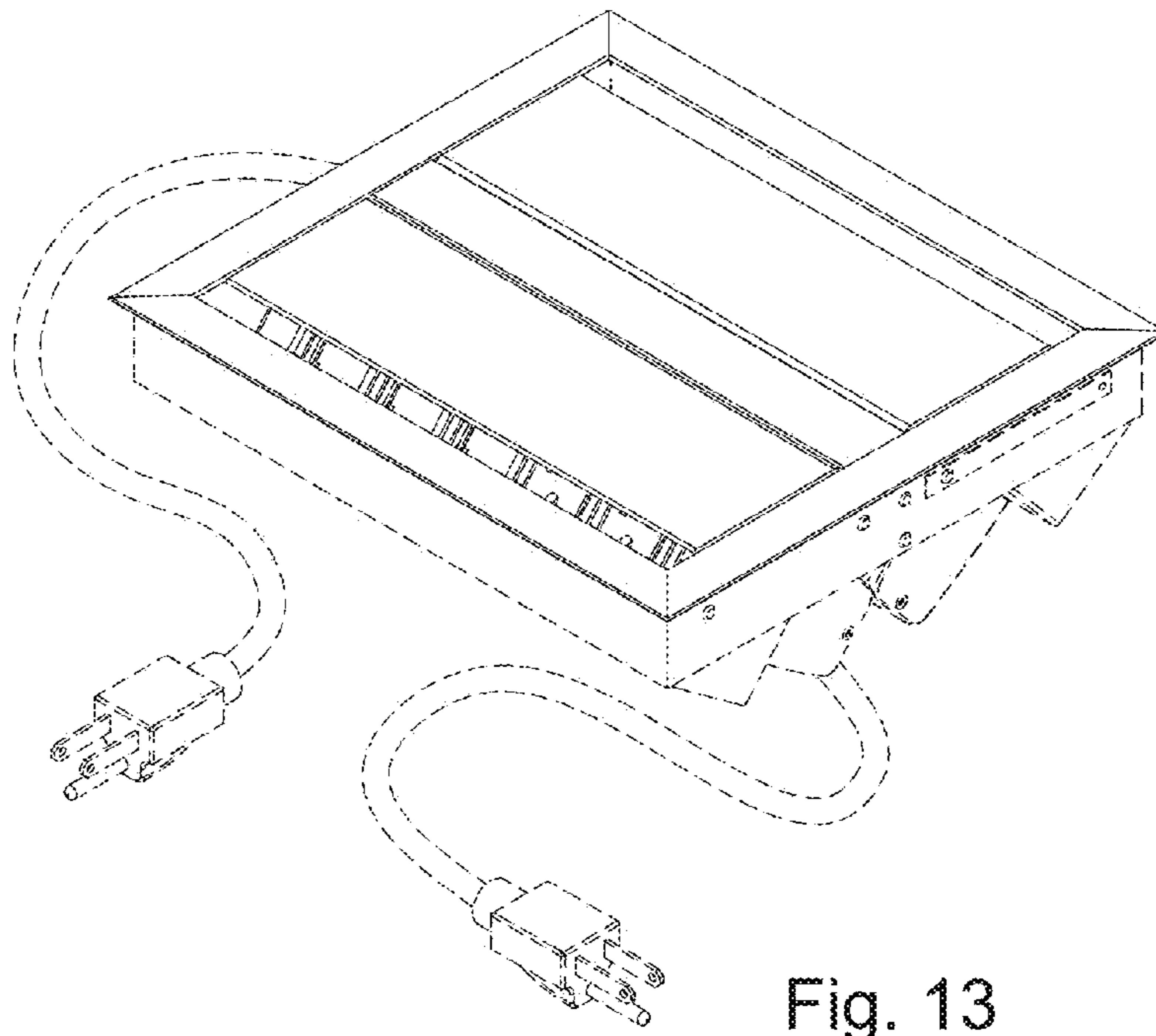


Fig. 13

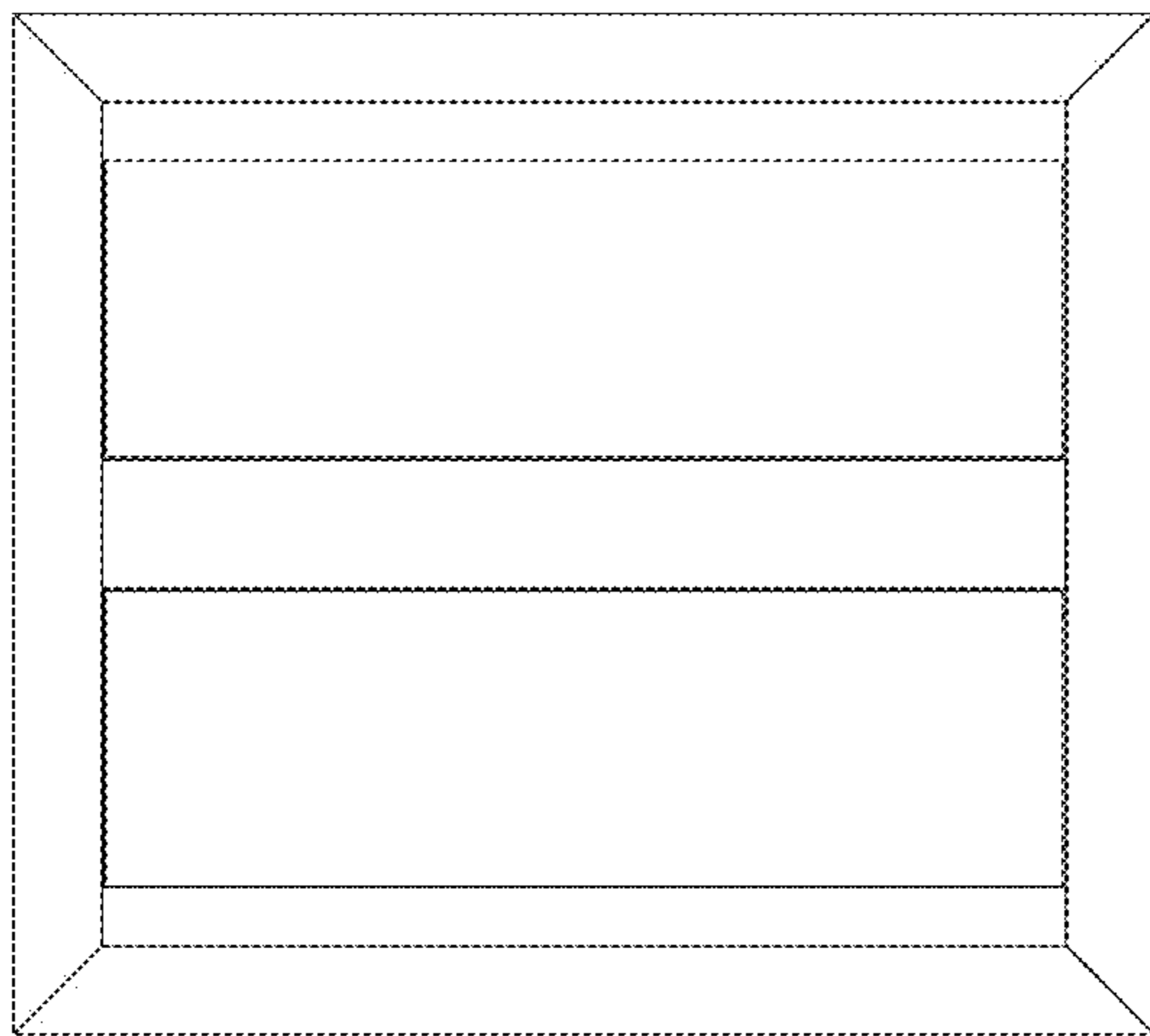


Fig. 14

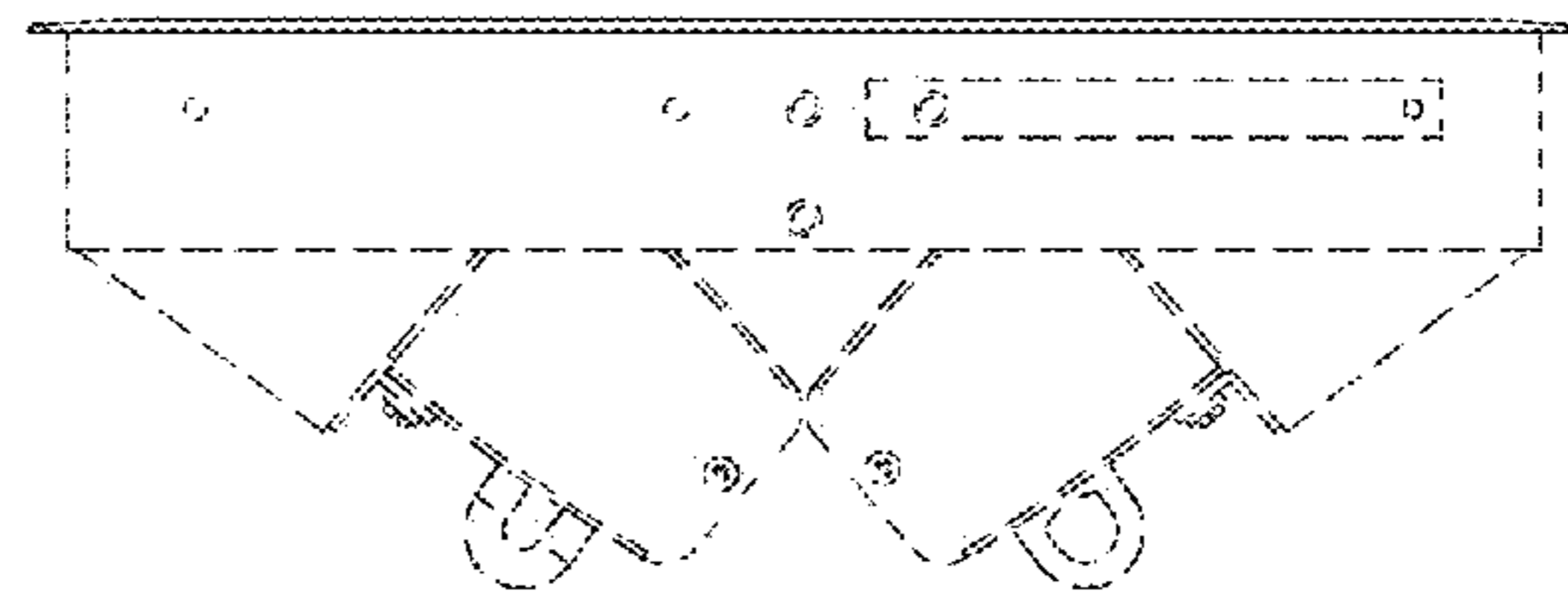


Fig. 15