



US00D685328S

(12) **United States Design Patent**
Kirtland

(10) **Patent No.:** **US D685,328 S**

(45) **Date of Patent:** **** Jul. 2, 2013**

(54) **TABLETOP POWER SPLITTER WITH
RETAINING NUT**

(76) Inventor: **Ralph Preston Kirtland**, Staunton, VA
(US)

(*) Notice: This patent is subject to a terminal disclaimer.

(**) Term: **14 Years**

(21) Appl. No.: **29/381,911**

(22) Filed: **Dec. 26, 2010**

(51) **LOC (9) Cl.** **13-03**

(52) **U.S. Cl.**
USPC **D13/137.2; D13/137.4**

(58) **Field of Classification Search**
USPC D13/109, 117, 120, 130, 132, 133,
D13/137.2, 137.3, 137.4, 138.1, 138.2, 139.4,
D13/139.5, 139.7, 139.8, 147, 146, 151
See application file for complete search history.

(56) **References Cited**

U.S. PATENT DOCUMENTS

D78,966 S *	7/1929	Conner	D13/139.7
D381,315 S *	7/1997	Harold	D13/139.4
D409,980 S *	5/1999	Byrne	D13/137.1
D418,814 S *	1/2000	Byrne	D13/146
D442,066 S *	5/2001	Stekelenburg	D8/358
D448,730 S *	10/2001	Lee	D13/137.4
D459,307 S *	6/2002	Nieto	D13/139.8
D469,064 S *	1/2003	Nieto	D13/137.2
D559,783 S *	1/2008	Matzdorff et al.	D13/137.2
D614,134 S *	4/2010	Chen et al.	D13/137.2
D626,963 S *	11/2010	Kim	D14/420
D640,199 S *	6/2011	Wilson	D13/139.7
D653,215 S *	1/2012	Lam	D13/139.8

* cited by examiner

Primary Examiner — Robert M Spear

Assistant Examiner — Rhea Shields

(57) **CLAIM**

The ornamental design for a tabletop power splitter with retaining nut, as shown.

DESCRIPTION

FIG. 1 is a perspective view looking up from underneath the “southeast” corner of my invention, showing my new design

with the retaining nut threaded onto the corresponding threaded shaft;

FIG. 2 is a perspective view looking up from underneath the “southeast” corner of my invention, showing my new design with the retaining nut removed from the corresponding threaded shaft;

FIG. 3 is a perspective view looking up from underneath the “southeast” corner of my invention, showing my new design with the retaining nut completely removed from view;

FIG. 4 is a perspective view looking down from above the “southeast” corner of my invention, showing my new design with the retaining nut threaded onto the corresponding threaded shaft;

FIG. 5 is a perspective view looking down from above the “southeast” corner of my invention, showing my new design with the retaining nut removed from the corresponding threaded shaft;

FIG. 6 is a perspective view looking down from above the “southeast” corner of my invention, showing my new design with the retaining nut completely removed from view;

FIG. 7 is a perspective view looking down from above the “northwest” corner of my invention, showing my new design with the retaining nut threaded onto the corresponding threaded shaft;

FIG. 8 is a perspective view looking up from underneath the “northwest” corner of my invention, showing my new design with the retaining nut threaded onto the corresponding threaded shaft;

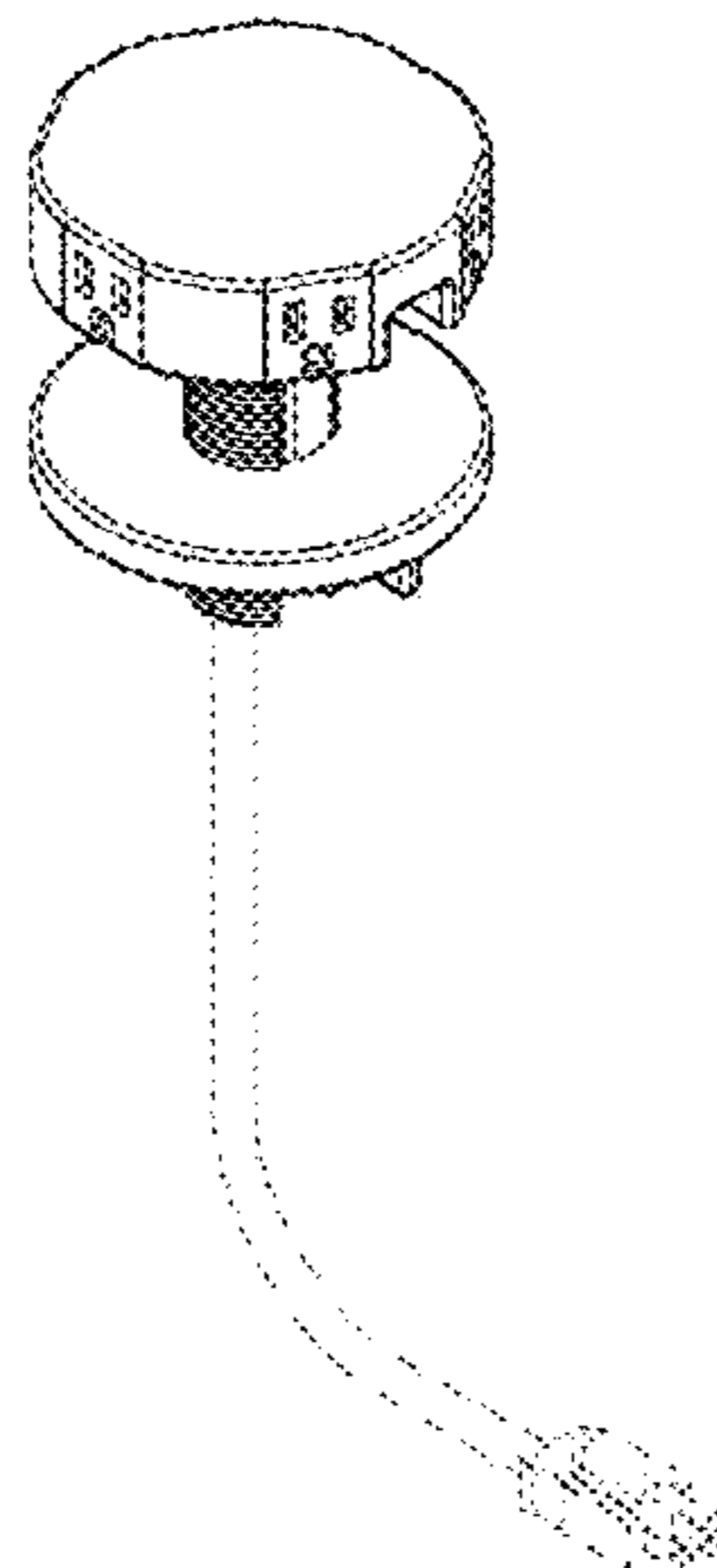
FIG. 9 is a bisected cutaway view presented to highlight the auxiliary cable conduit integrated into my design;

FIG. 10 is a perspective view looking down from above the “southeast” corner of my invention, showing my new design in use securely mounted through the utility cable hole of a table; and,

FIG. 11 is a perspective view looking up from underneath the “southeast” corner of my invention, showing my new design in use securely mounted through the utility cable hole of a table.

The portion of the drawing shown in dashed lines is for illustrative purposes only and forms no part of the claimed design.

1 Claim, 11 Drawing Sheets



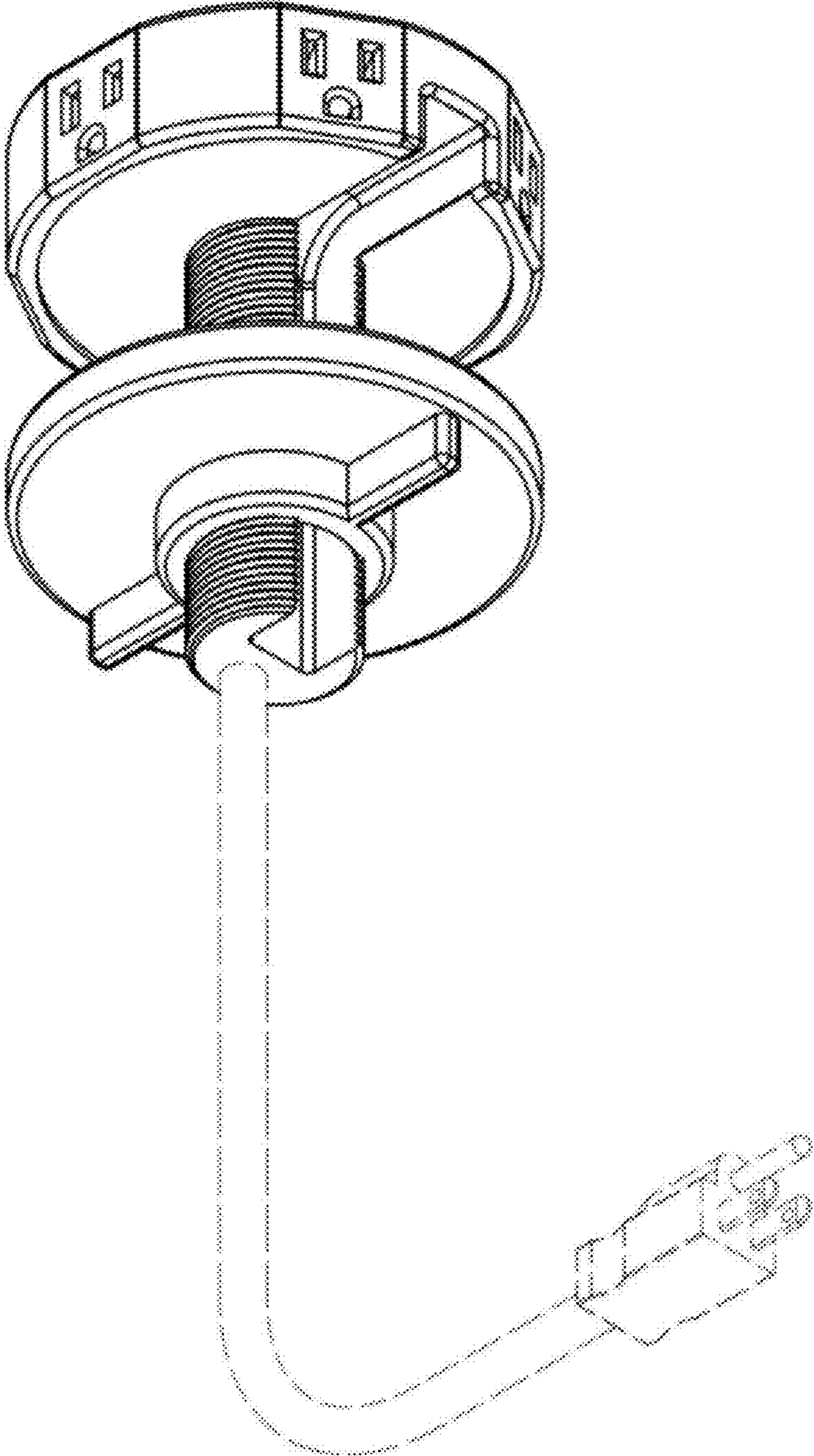


FIG. 1

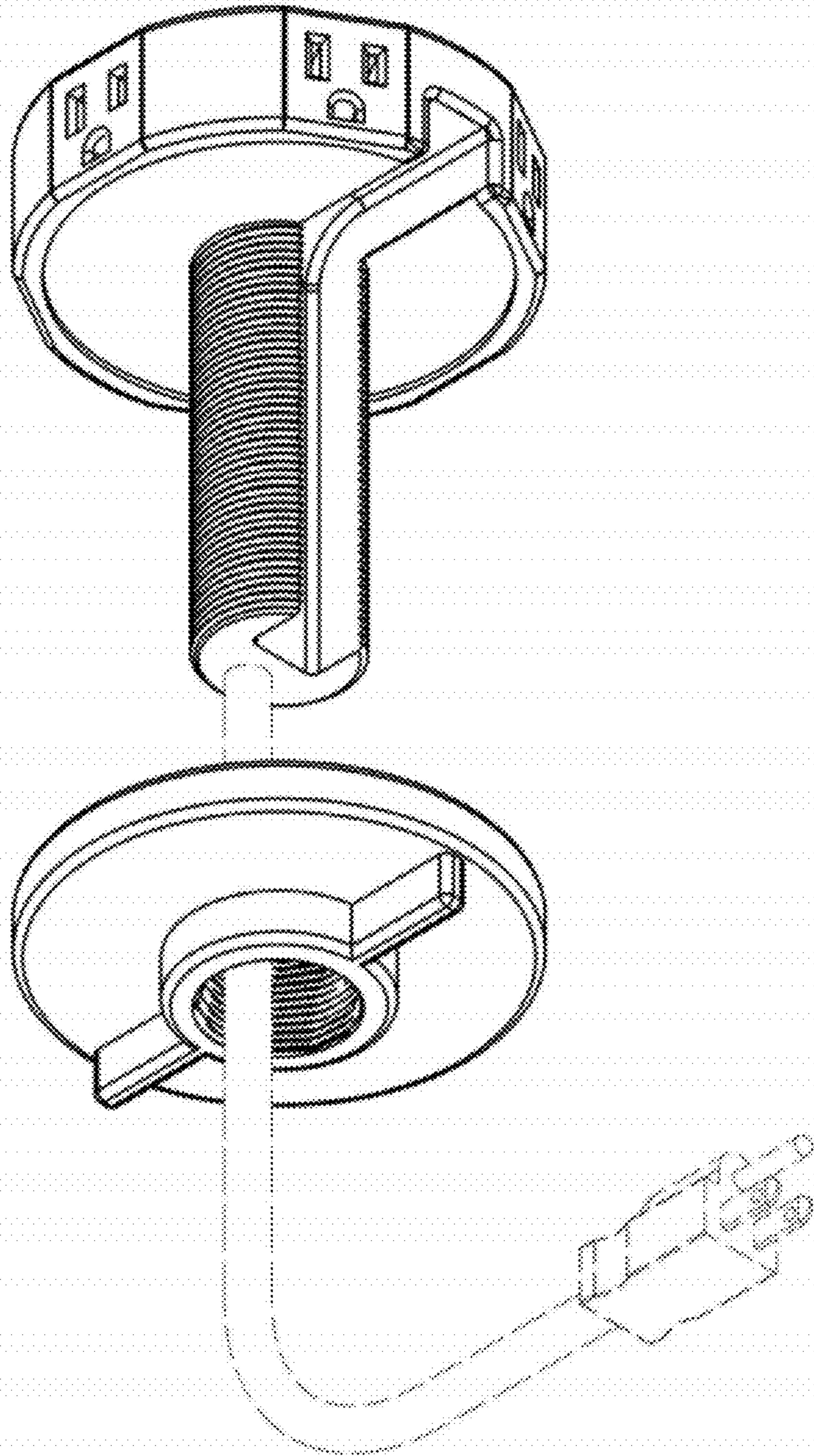


FIG. 2

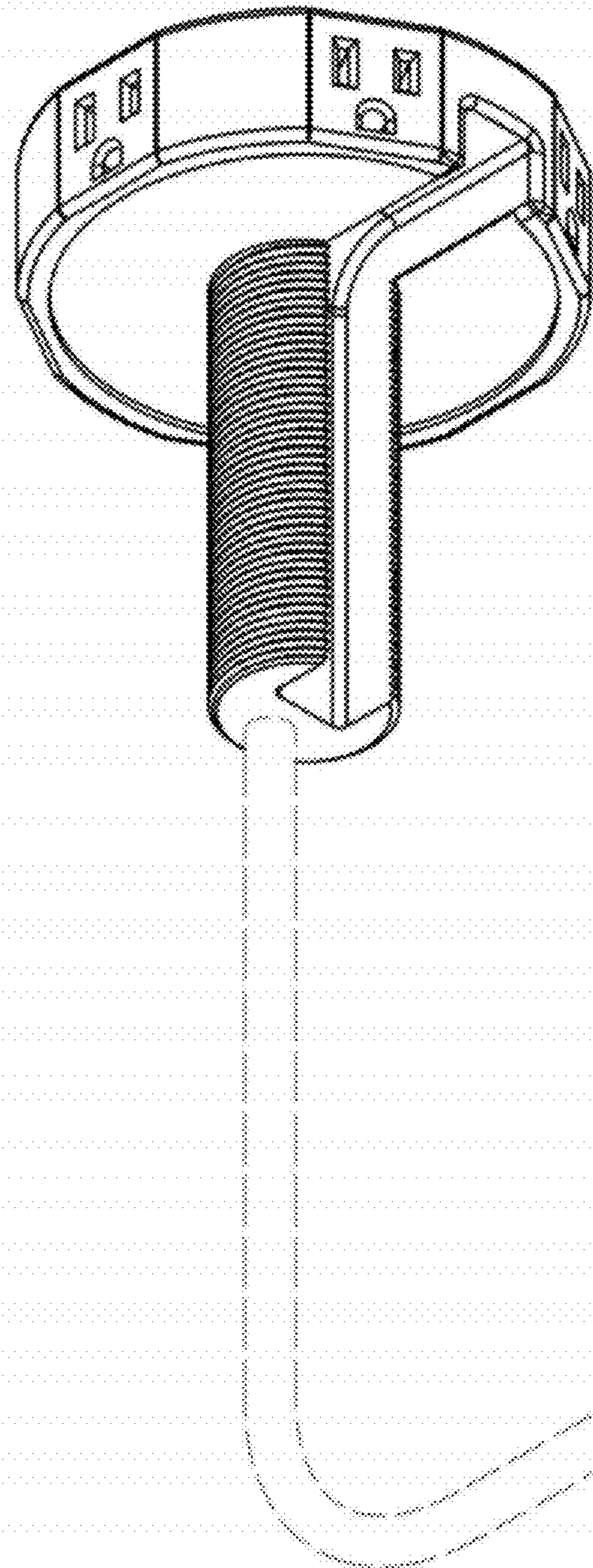


FIG. 3

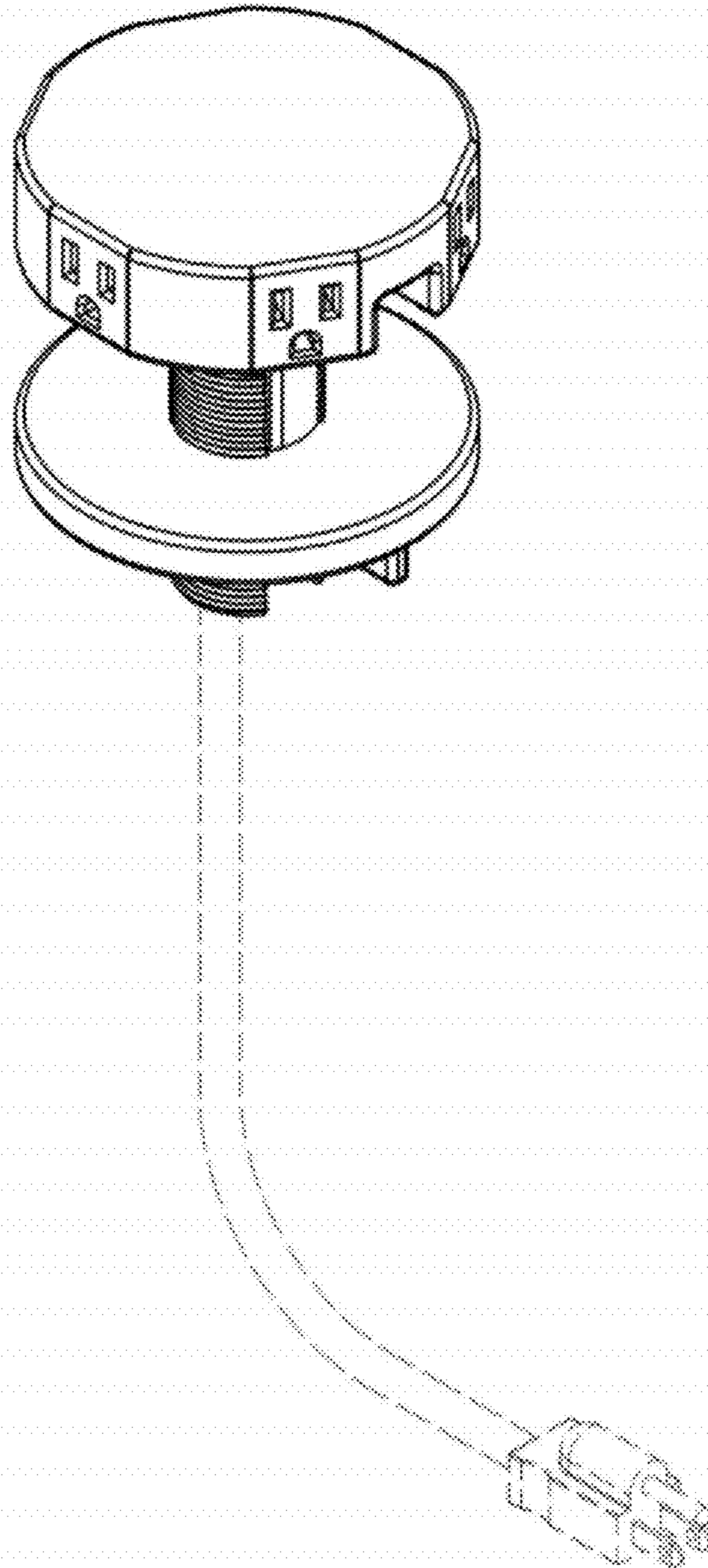


FIG. 4

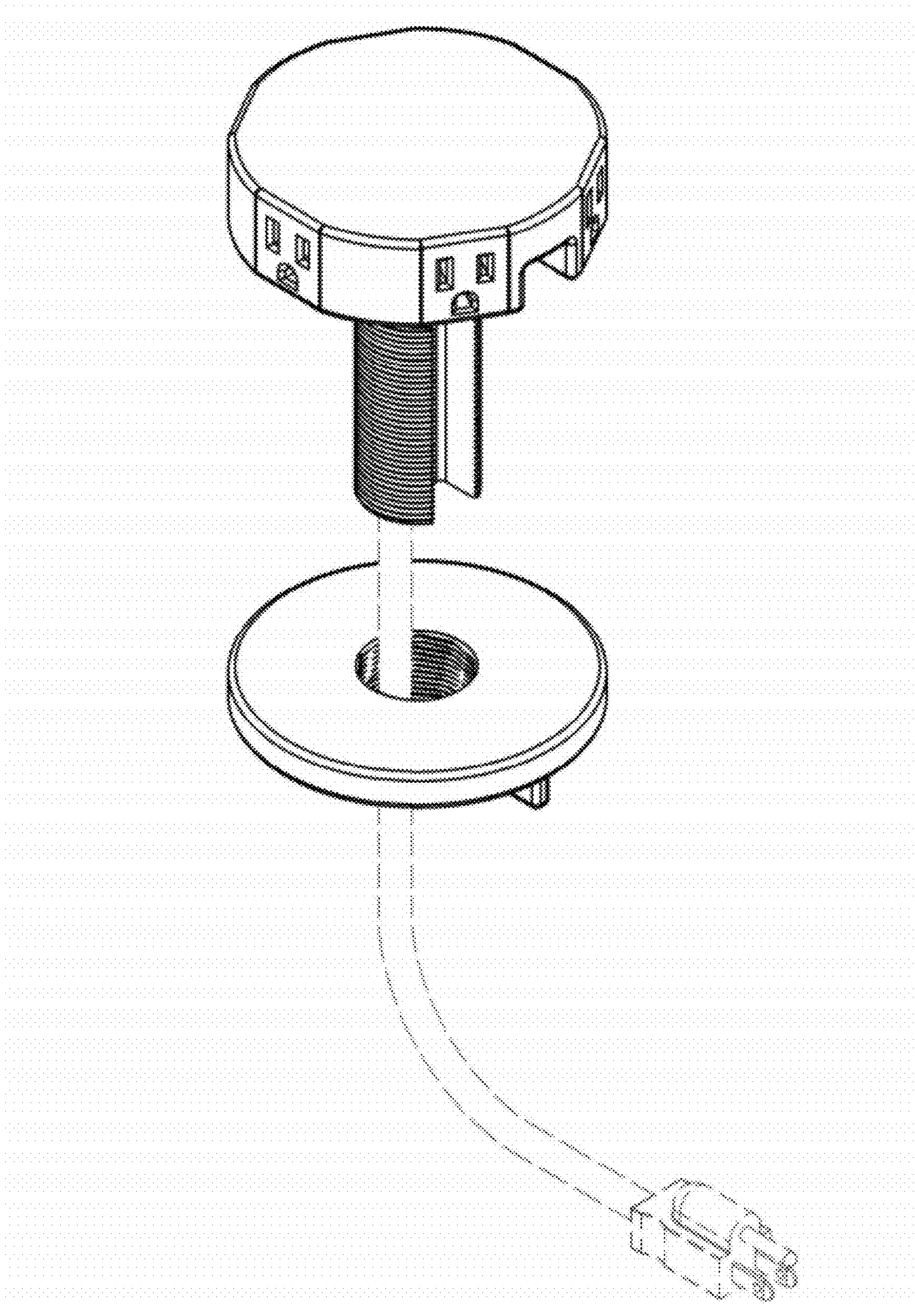


FIG. 5

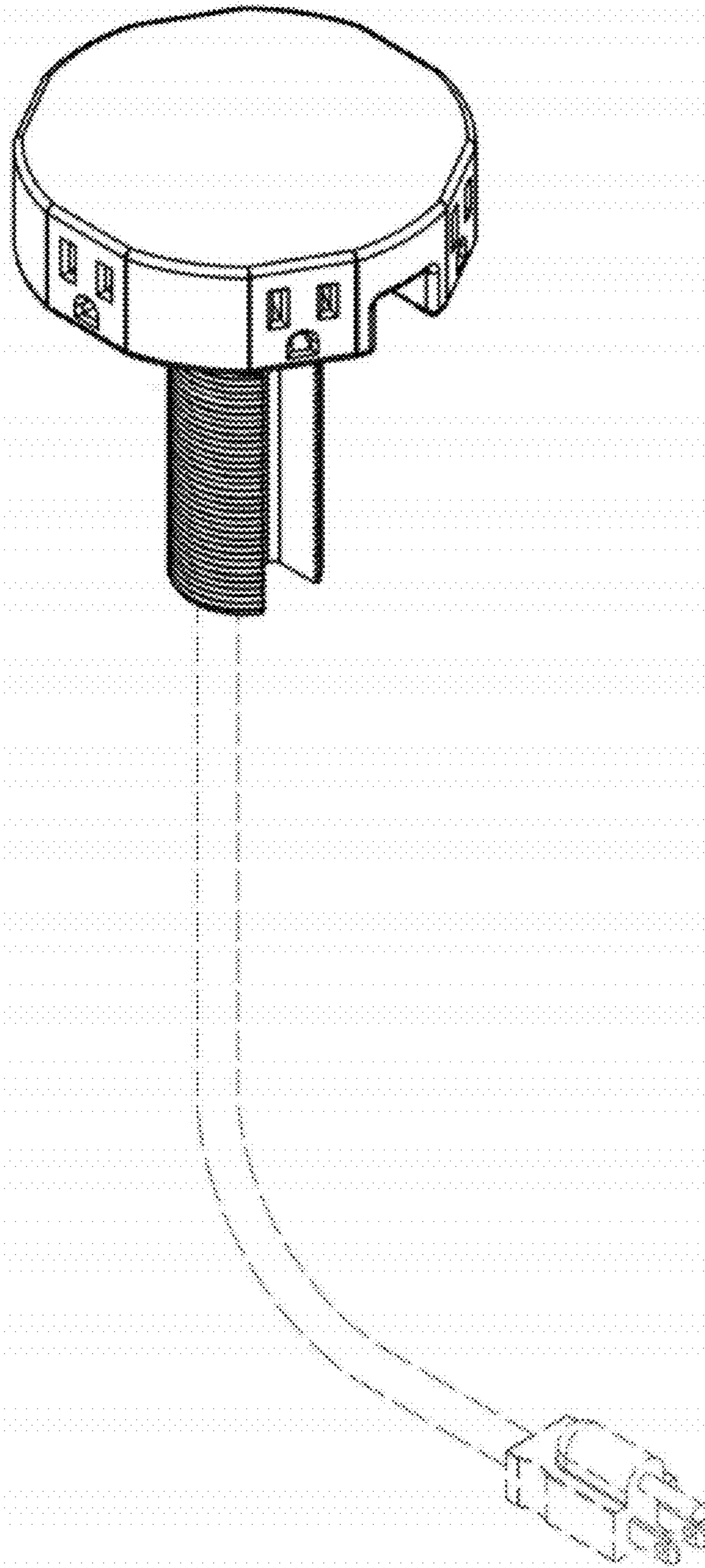


FIG. 6

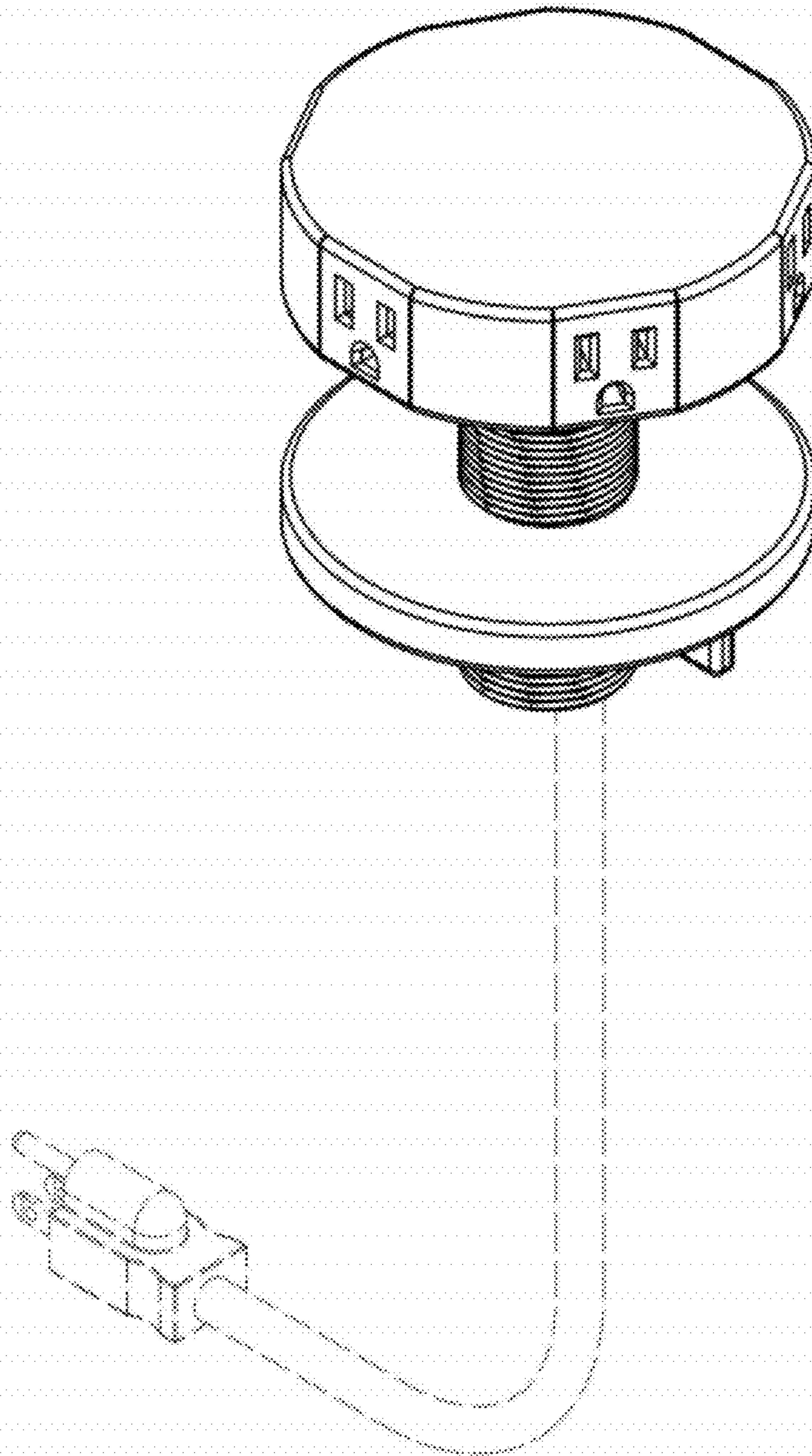


FIG. 7

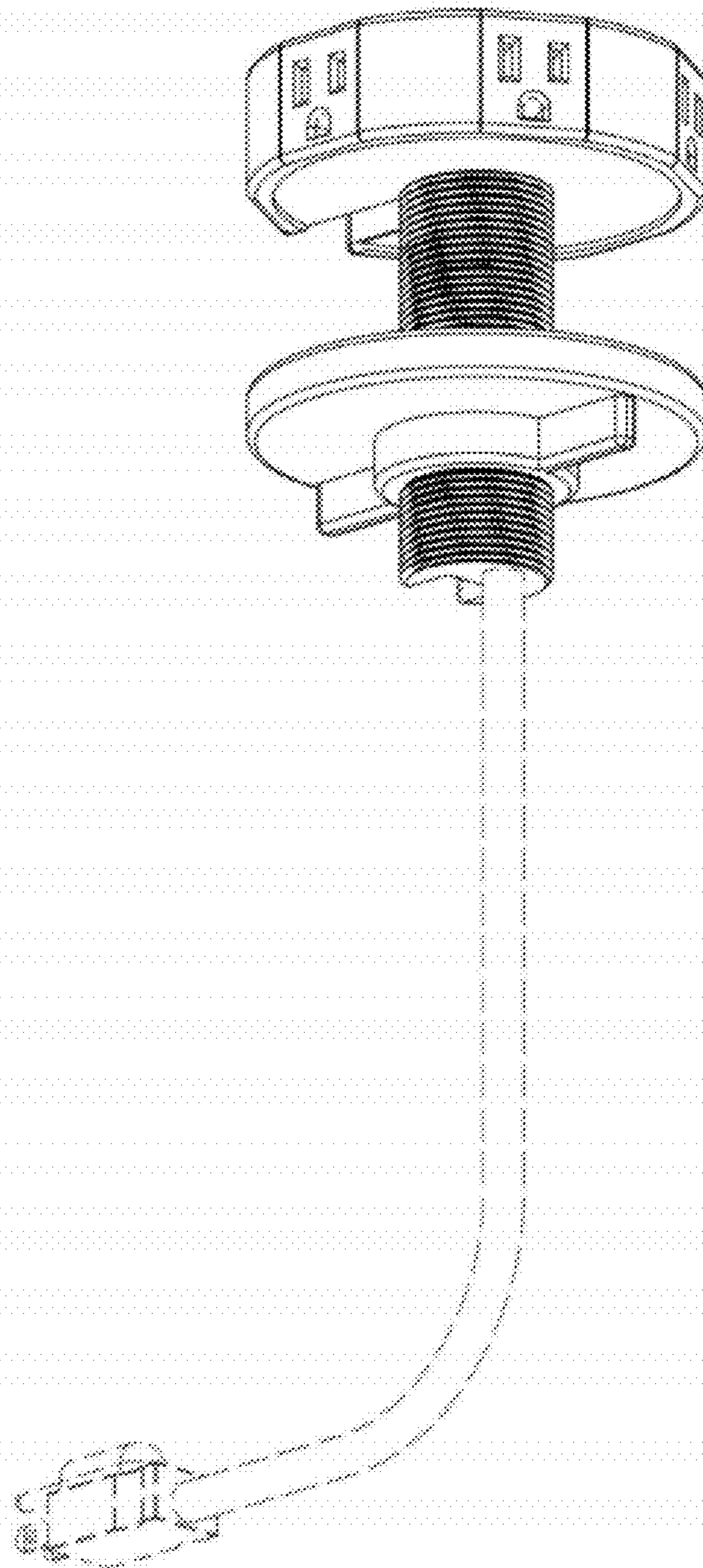


FIG. 8

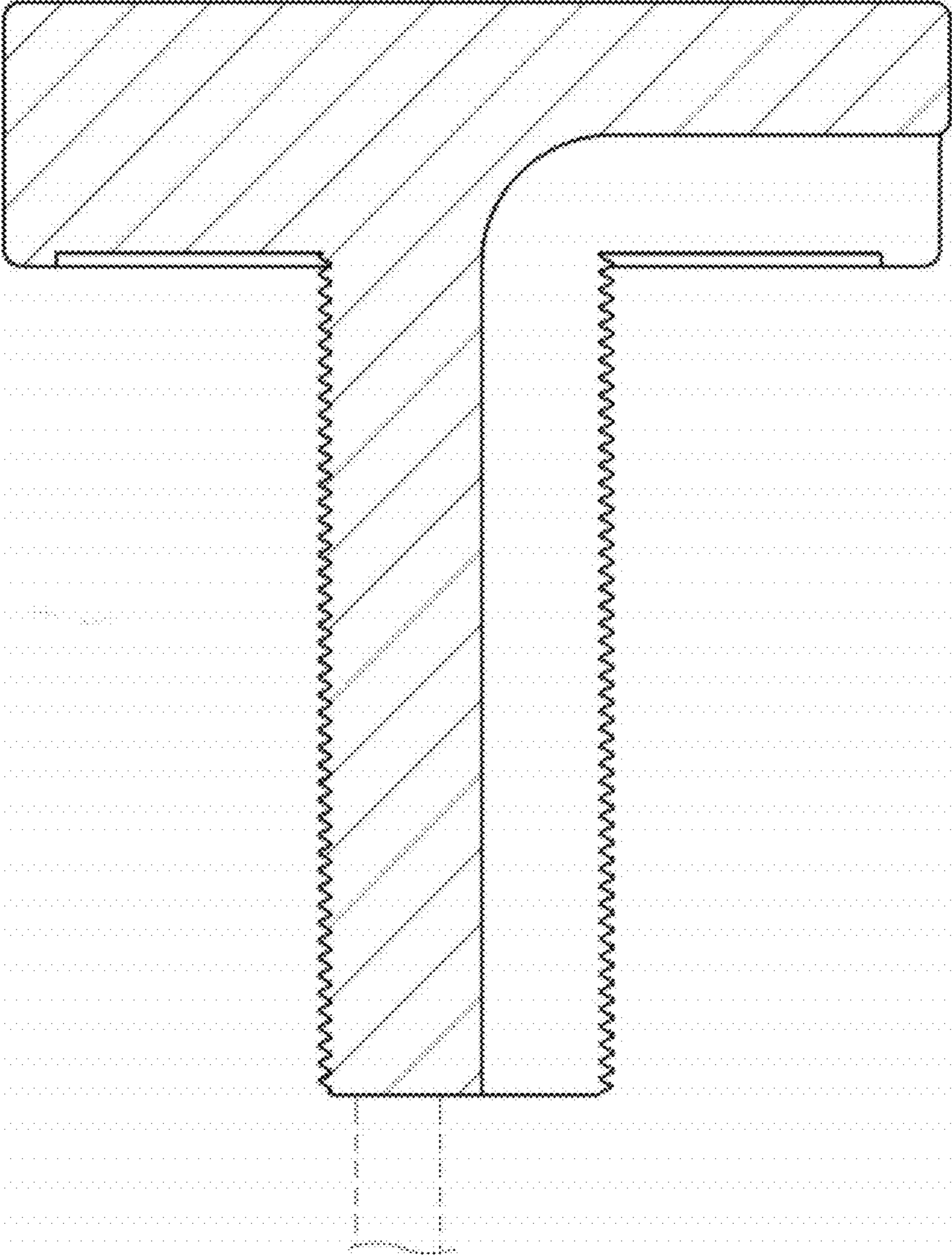


FIG. 9

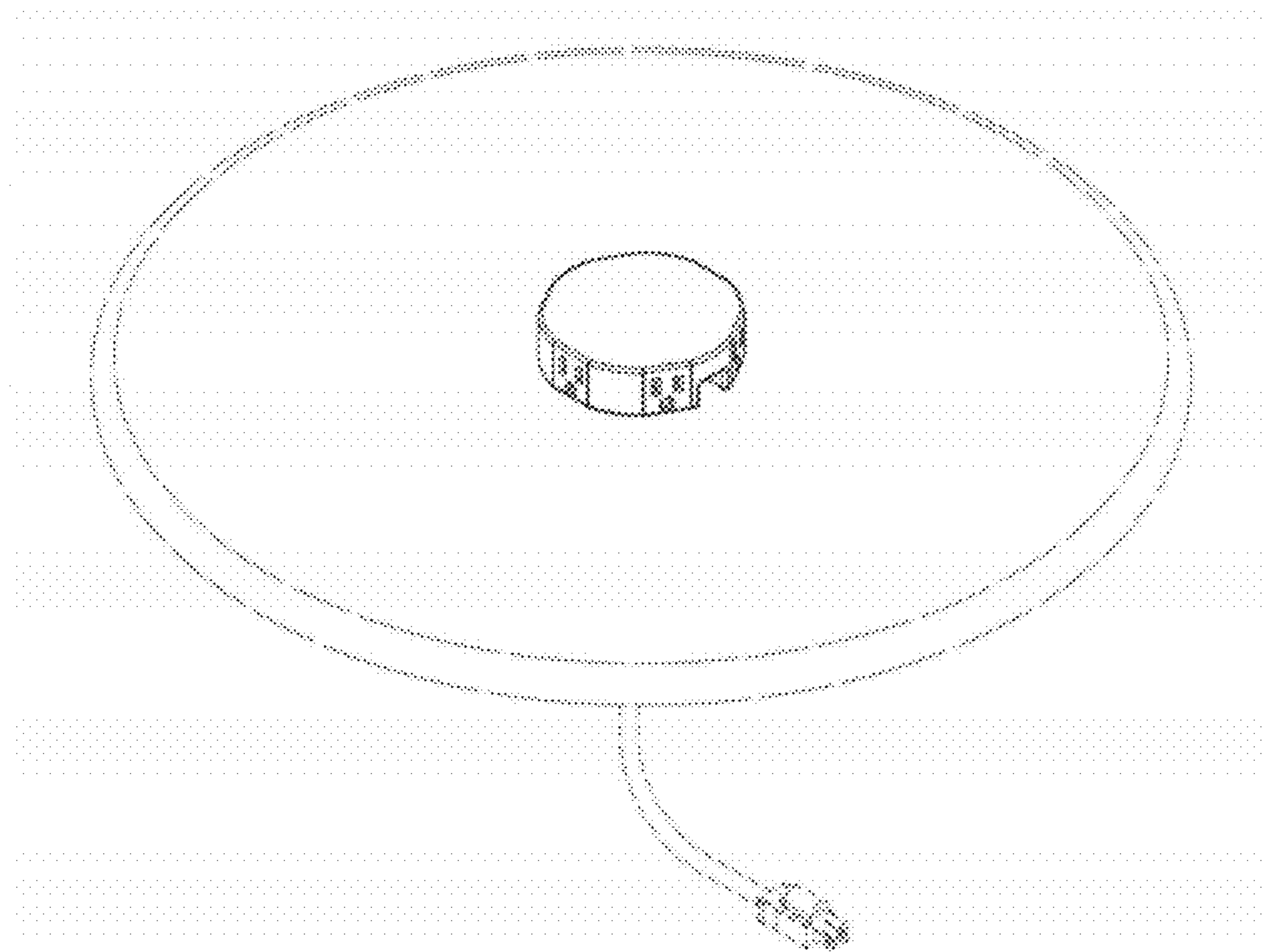


FIG. 10

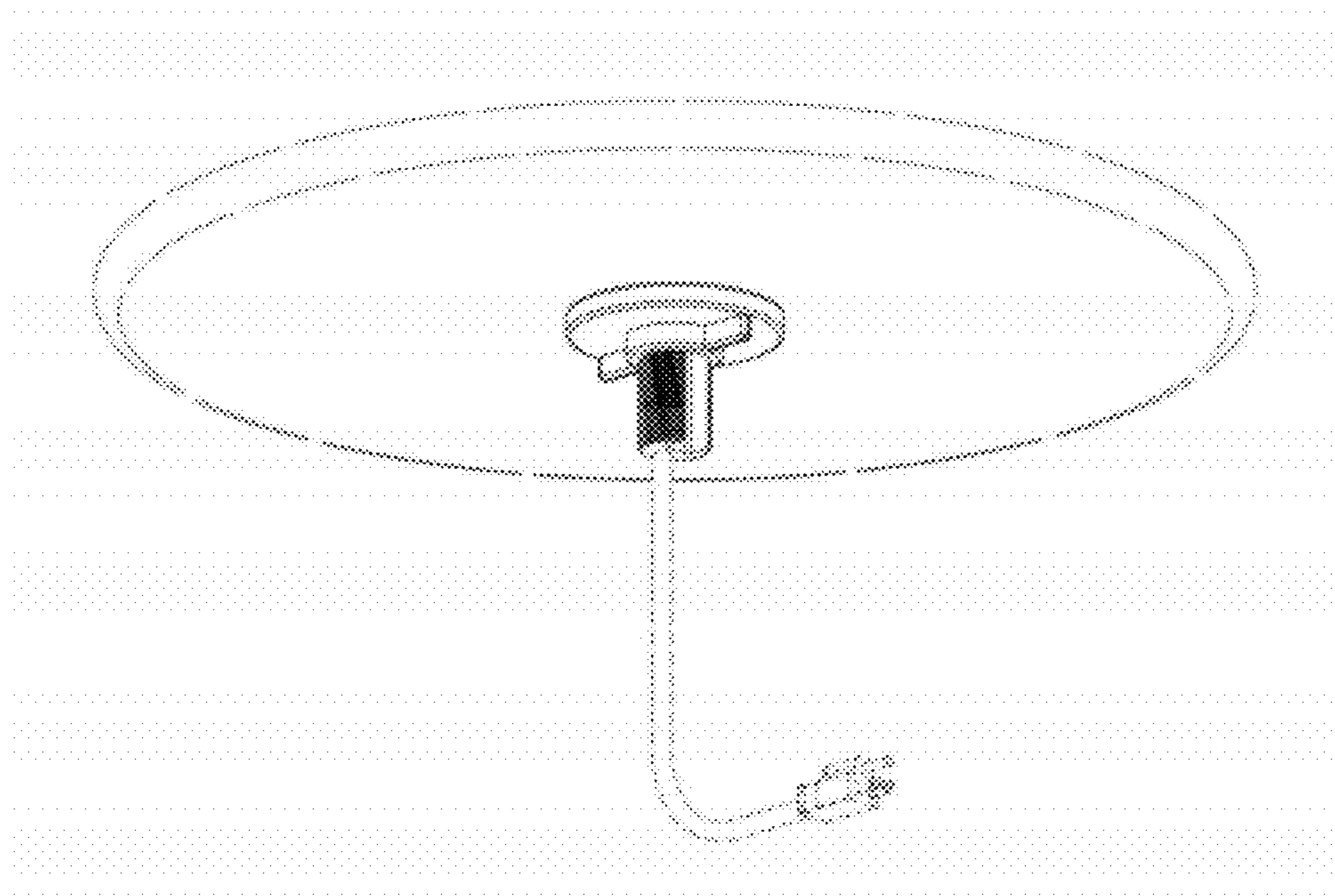


FIG. 11