



US00D685327S

(12) **United States Design Patent**
Rayner

(10) **Patent No.:** **US D685,327 S**

(45) **Date of Patent:** **** Jul. 2, 2013**

(54) **HEADPHONE ADAPTER FOR A CASE FOR AN ELECTRONIC DEVICE**

(75) Inventor: **Gary Rayner**, Lemon Grove, CA (US)

(73) Assignee: **TreeFrog Developments, Inc.**, San Diego, CA (US)

(**) Term: **14 Years**

(21) Appl. No.: **29/416,708**

(22) Filed: **Mar. 26, 2012**

Related U.S. Application Data

(63) Continuation of application No. 13/272,156, filed on Oct. 12, 2011.

(51) **LOC (9) Cl.** **13-03**

(52) **U.S. Cl.**
USPC **D13/133**

(58) **Field of Classification Search**
USPC D13/133, 154, 184, 199; 439/180, 439/246, 252, 278, 374, 378, 380, 381, 527, 439/529, 606, 668-669, 675-676, 680, 750-751, 892, 894
See application file for complete search history.

(56) **References Cited**

U.S. PATENT DOCUMENTS

3,023,885	A	3/1962	Kindseth	
3,482,895	A	12/1969	Becklin	
3,665,991	A	5/1972	Gillemot et al.	
D243,698	S *	3/1977	Gietzen	D13/133
4,097,878	A	6/1978	Cramer	
4,312,580	A	1/1982	Schwomma et al.	
4,335,930	A *	6/1982	Feldman	439/669
D267,713	S *	1/1983	Noda et al.	D13/133
4,375,323	A	3/1983	Inagaki et al.	
4,383,743	A	5/1983	Nozawa et al.	

4,418,830	A	12/1983	Dzung et al.
4,420,078	A	12/1983	Belt et al.
4,546,874	A	10/1985	Kirchhan
4,584,718	A	4/1986	Fuller
4,658,956	A	4/1987	Takeda et al.
4,686,332	A	8/1987	Greanias et al.
4,712,657	A	12/1987	Myers et al.
4,733,776	A	3/1988	Ward
4,762,227	A	8/1988	Patterson
4,803,504	A	2/1989	Maeno et al.
4,836,256	A	6/1989	Meliconi
4,942,514	A	7/1990	Miyagaki et al.

(Continued)

FOREIGN PATENT DOCUMENTS

EP	1018680	7/2000
JP	08-288990	11/1996

(Continued)

OTHER PUBLICATIONS

Results for Invalidity Search for Patent 6,995,976.

(Continued)

Primary Examiner — Daniel Bui
(74) *Attorney, Agent, or Firm* — Lathrop & Gage LLP; Sean M. Coughlin, Esq.

(57) **CLAIM**

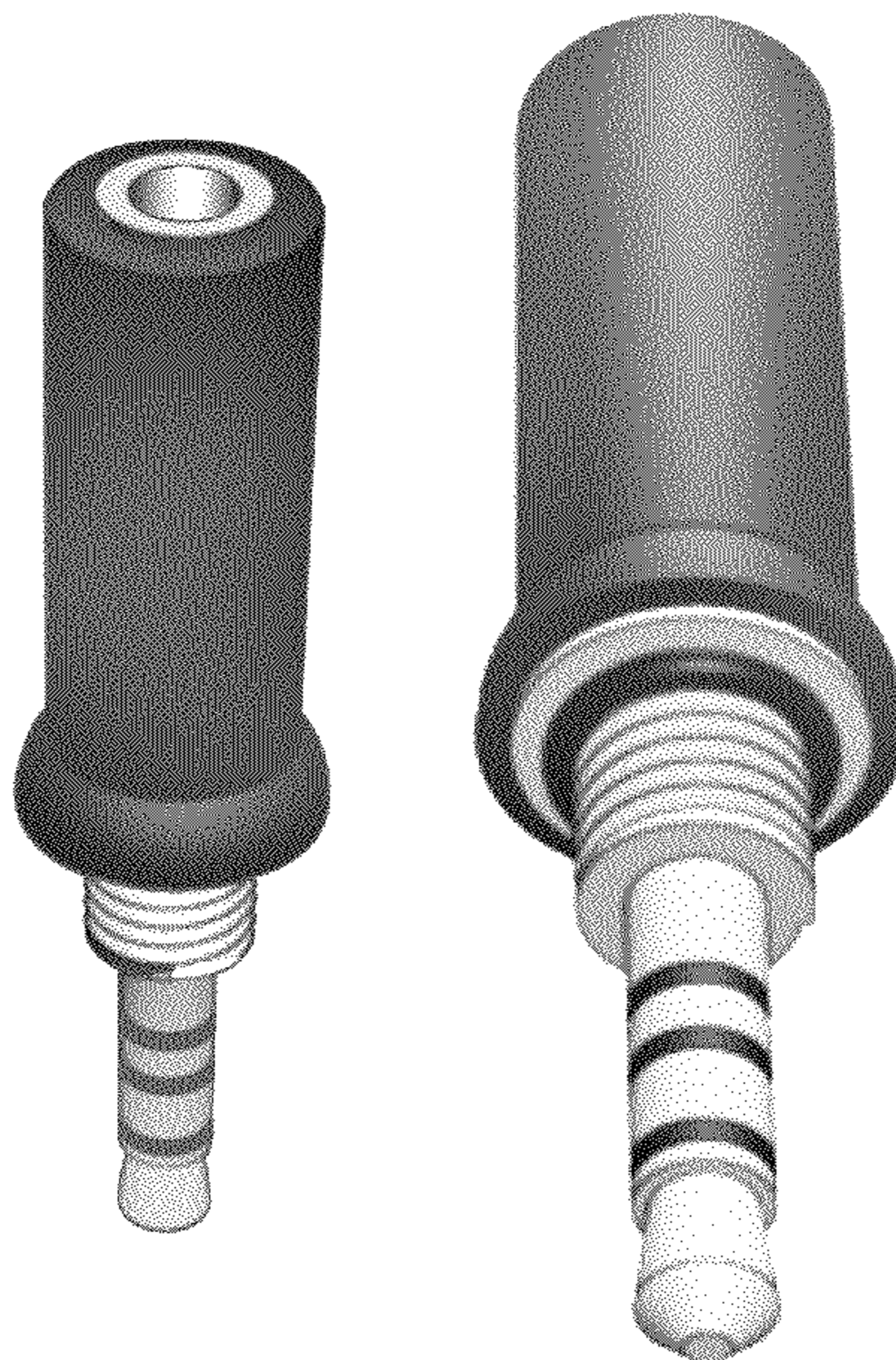
The ornamental design for a headphone adapter for a case for an electronic device, as shown and described herein.

DESCRIPTION

FIG. 1 is a drawing of a top and side view of a headphone adapter for a case for an electronic device, showing my new design.

FIG. 2 is a drawing of a bottom and side view thereof; and, FIG. 3 is a drawing of a side view thereof.

1 Claim, 3 Drawing Sheets



WO	WO-99/41958	8/1999
WO	WO-0051315	8/2000
WO	WO-0211161	2/2002
WO	WO-2012074151	6/2012

OTHER PUBLICATIONS

PCT International Search Report and Written Opinion for corresponding PCT application No. PCT/US2011/056040.
 BodyGloveMobile-Apple iPhone 4 & 4S Zero 360 Case-Clear-Flat Back (no clip) [Retrieved from <http://bodyglovemobile.com/product/apple-iphone-4-amp-4s-zero-360deg-case--clear--flat--back-no-clip,338,63.htm>. Dated Apr. 9, 2012].
 Casemate Chrome with Mirror Screen Protector for iPhone 4/4S Case-Mate [Retrieved from <http://www.case-mate.com/iPhone-4-Cases/Case-Mate-iPhone-4-4S-Chrome-with-Mirror-Screen-Protector.asp>. Dated Apr. 9, 2012].
 Hard Candy Cases—Bubble 360 Case for the new iPad [Retrieved from <http://www.hardcandycases.com/bubble-360-case--for-new-ipad.html>. Dated Apr. 9, 2012].

Eaglecell, Inc.—Eaglecell Phone Accessories—iPhone 4(AT&T/Verizon)/ 4S(AT&T/Verizon/Sprint) [Retrieved from <http://www.eaglecell.com/Ecommerce/general/BrowsrCategory.aspx?C> . . . Dated Apr. 9, 2012].
 Gadgetmac—CaseMate Phantom Case for iPhone 4/S Review [Retrieved from <http://www.gadgetmac.com/reviews/case-mate-phantom-case-for-iphon> . . . Dated Apr. 9, 2012].
 Griffin cases & covers for iPhone 4 and iPhone 4s [Retrieved from <http://www.griffintechology.com/iphone/cases>. Dated Apr. 9, 2012].
 OtterBox Commuter Series Cases OtterBox.com [Retrieved from <http://www.otterbox.com/commuter-series,default,pg.html>. Dated Apr. 9, 2012].
 TakTik—iPhone Case [Retrieved from <http://articlesdownload.com/2012/08/16taktik-premiumprotection-system> . . . Dated Apr. 9, 2012].

* cited by examiner



FIGURE 1

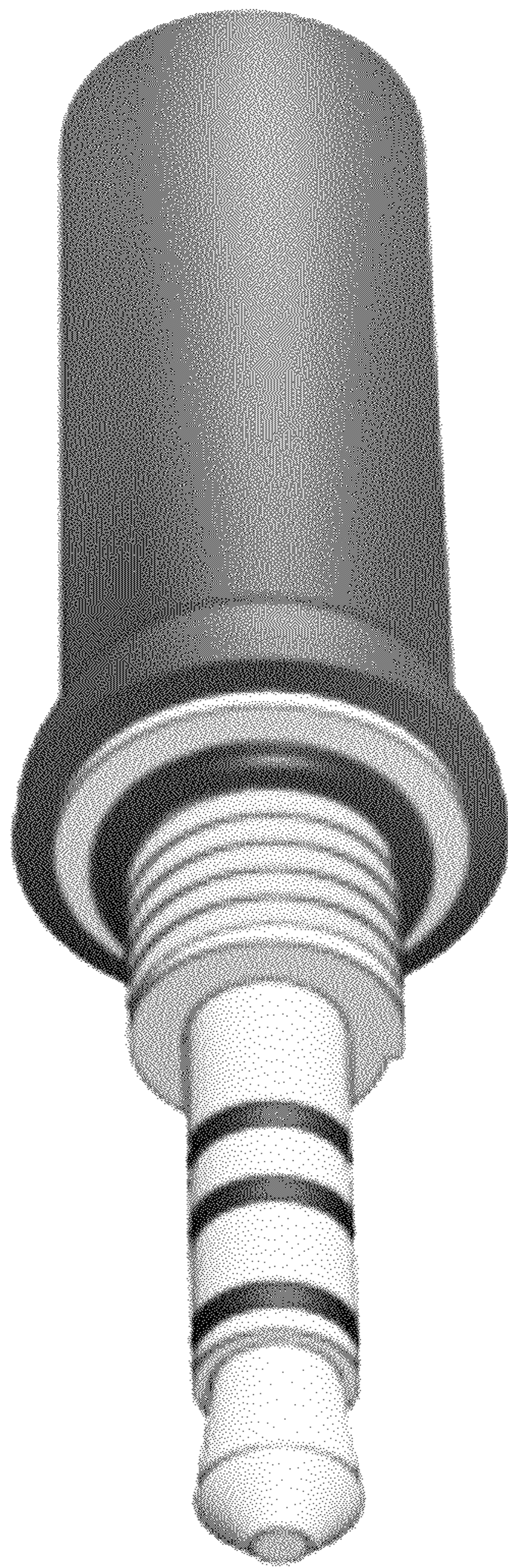


FIGURE 2

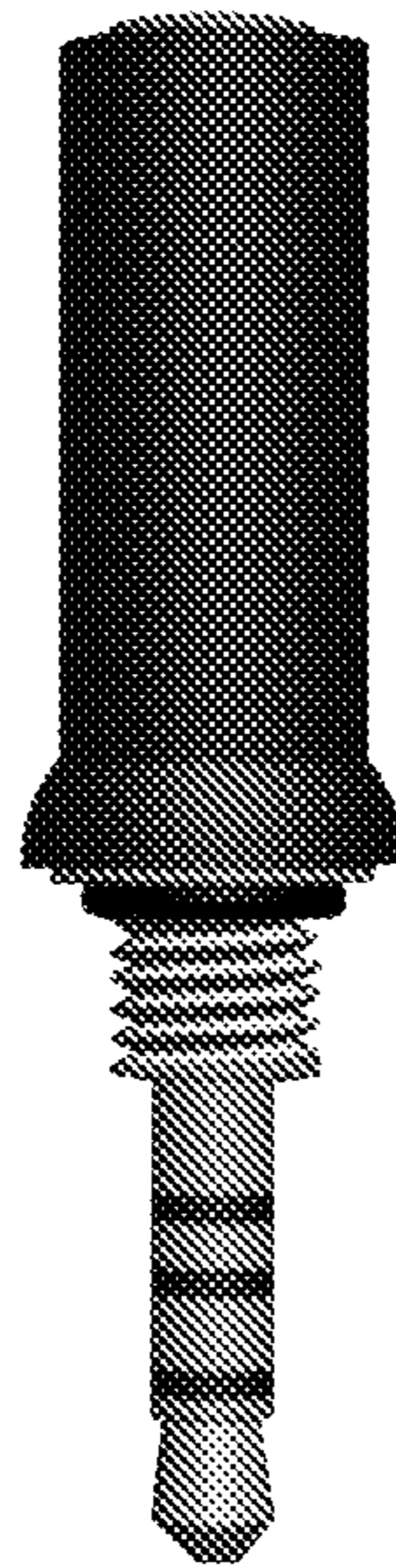


FIGURE 3