



US00D685326S

(12) **United States Design Patent**
Kim et al.

(10) **Patent No.:** **US D685,326 S**
(45) **Date of Patent:** **** Jul. 2, 2013**

(54) **ADAPTER**

(71) Applicants: **Chung-Ha Kim**, Seoul (KR);
Jung-Hwan Hong, Seoul (KR)

(72) Inventors: **Chung-Ha Kim**, Seoul (KR);
Jung-Hwan Hong, Seoul (KR)

(73) Assignee: **Samsung Electronics Co., Ltd.**,
Suwon-si, Gyeonggi-do (KR)

(**) Term: **14 Years**

(21) Appl. No.: **29/437,464**

(22) Filed: **Nov. 16, 2012**

(30) **Foreign Application Priority Data**

Jun. 29, 2012 (KR) 30-2012-0031859

(51) **LOC (9) Cl.** **13-02**

(52) **U.S. Cl.**
USPC **D13/110**

(58) **Field of Classification Search**
USPC D13/110, 107, 108, 118, 119, 123,
D13/133, 137.1, 184, 199; D14/155, 242,
D14/251, 432, 433, 434; 174/53, 54, 59,
174/61; 307/11, 150, 151; 320/107, 111,
320/112, 113, 114, 115; 361/679.01; 363/142,
363/146; 439/131, 172, 626, 628, 638

See application file for complete search history.

(56) **References Cited**

U.S. PATENT DOCUMENTS

| | | | | | | |
|-----------|----|---|---------|--------------------|-------|-----------|
| D338,188 | S | * | 8/1993 | Lee et al. | | D13/110 |
| 6,086,395 | A | * | 7/2000 | Lloyd et al. | | 439/172 |
| D449,030 | S | * | 10/2001 | Baxter et al. | | D13/110 |
| 6,544,051 | B1 | * | 4/2003 | Su | | 439/131 |
| D503,679 | S | * | 4/2005 | Andre et al. | | D13/110 |
| D519,922 | S | * | 5/2006 | Andre et al. | | D13/110 |
| D575,730 | S | * | 8/2008 | Hung | | D13/110 |
| D599,738 | S | * | 9/2009 | Amidei et al. | | D13/110 |
| D617,276 | S | * | 6/2010 | Fahrendorff et al. | | D13/138.1 |

OTHER PUBLICATIONS

U.S. Appl. No. 29/349,425, Applicant: Ok-Keun Lee et al., filed Apr. 1, 2010 entitled Adapter.
U.S. Appl. No. 29/374,382, Applicant: Young-Soo Kim, filed Aug. 5, 2011 entitled Adapter.

* cited by examiner

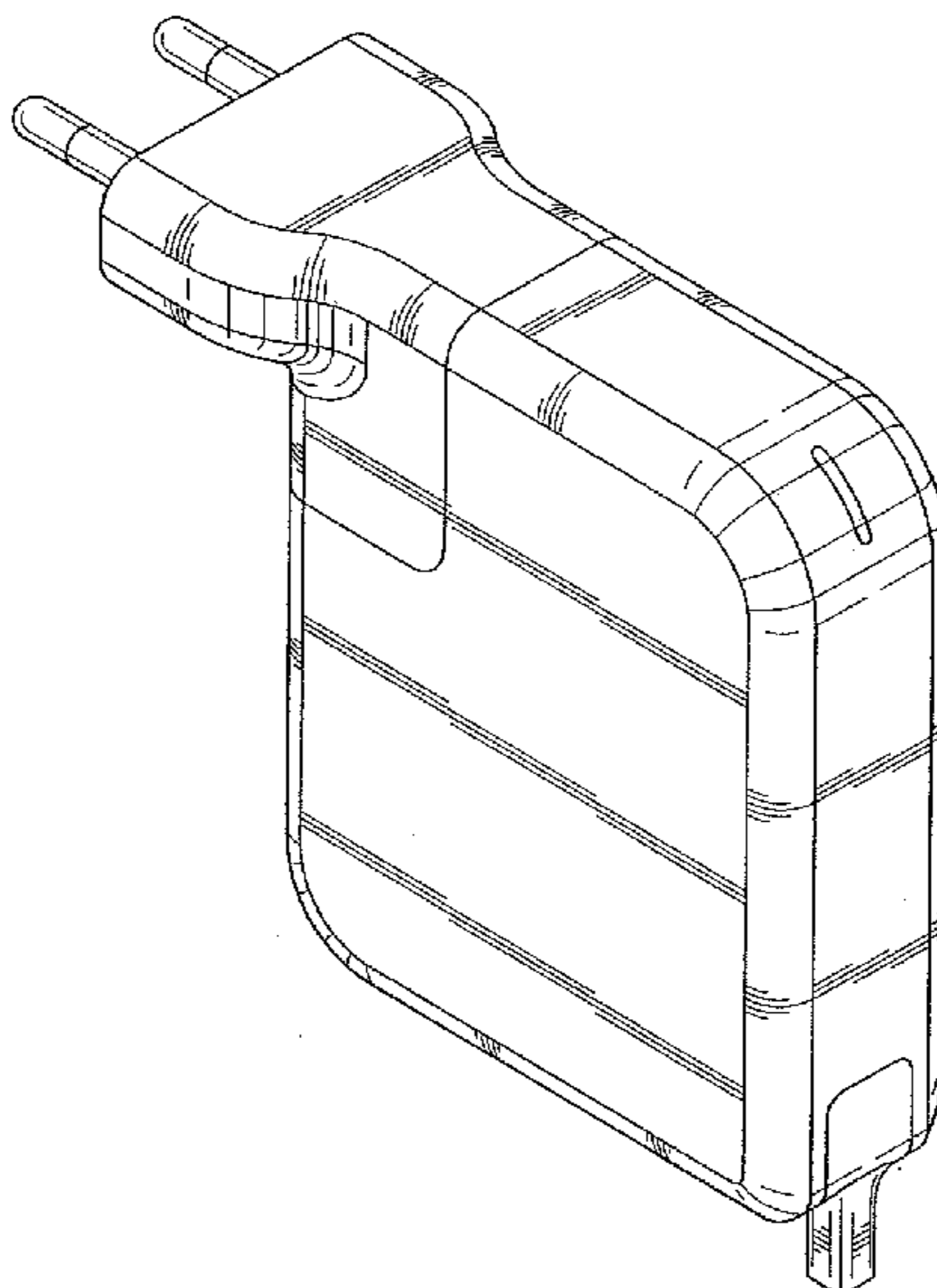
Primary Examiner — Derrick Holland
(74) *Attorney, Agent, or Firm* — Flynn, Thiel, Boutell & Tanis, P.C.

(57) **CLAIM**
The ornamental design for an adapter, as shown and described.

DESCRIPTION

FIG. 1 is a top front perspective view of an adapter showing our new design;
FIG. 2 is a front elevational view thereof;
FIG. 3 is a rear elevational view thereof;
FIG. 4 is a left side elevational view thereof;
FIG. 5 is a right side elevational view thereof;
FIG. 6 is a top plan view thereof; and,
FIG. 7 is a bottom plan view thereof.

1 Claim, 3 Drawing Sheets



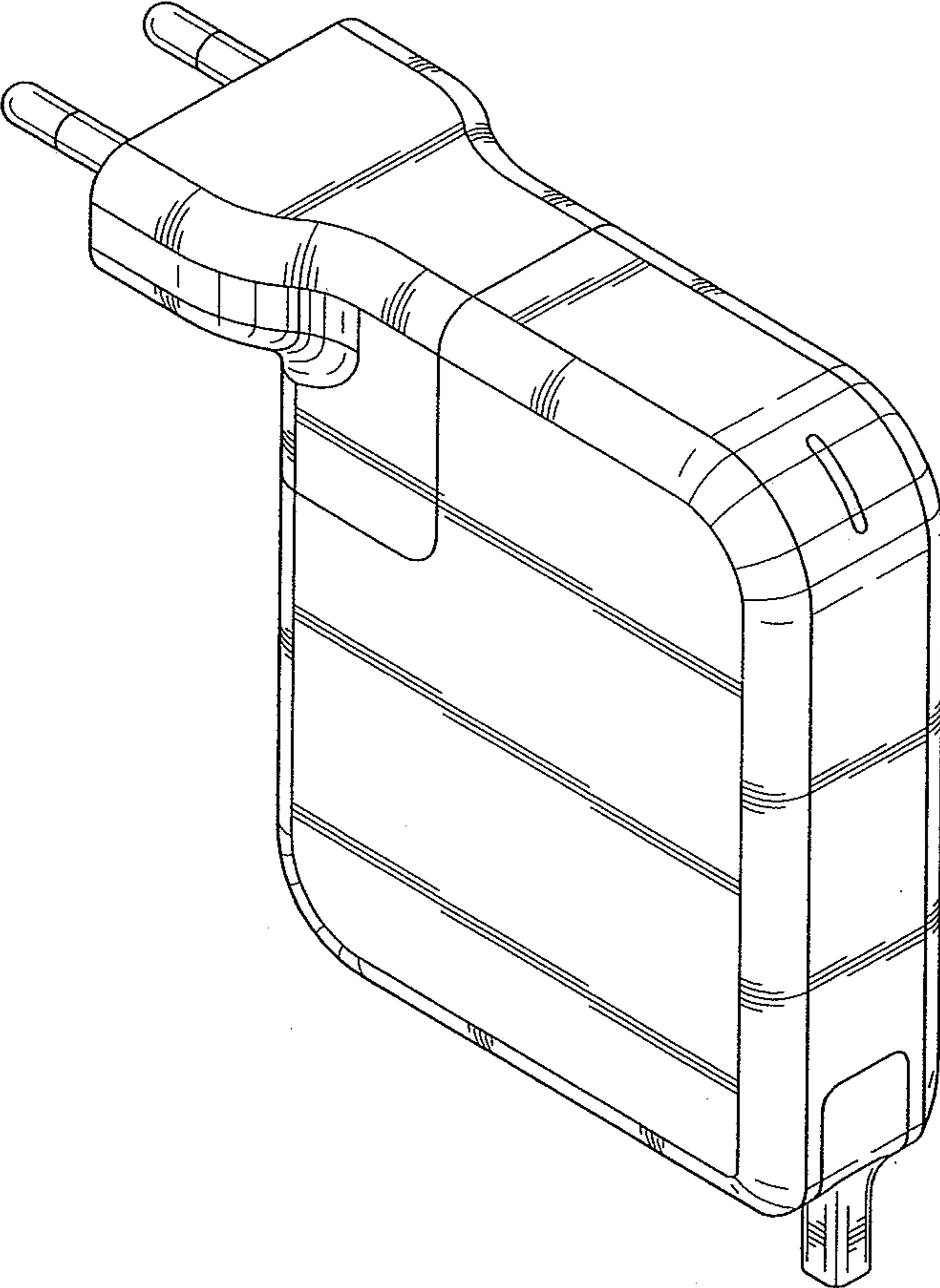


FIG.1

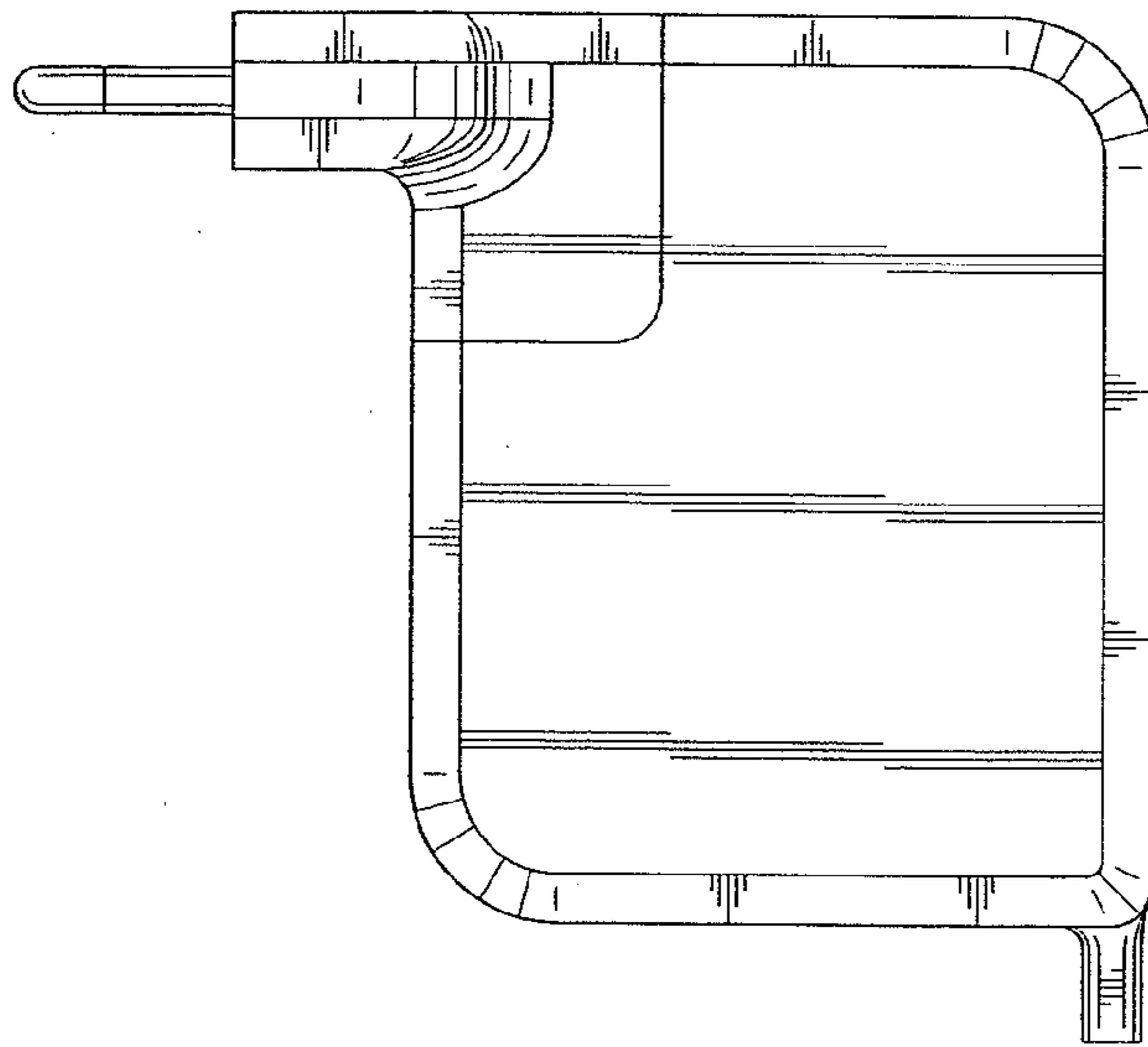


FIG. 2

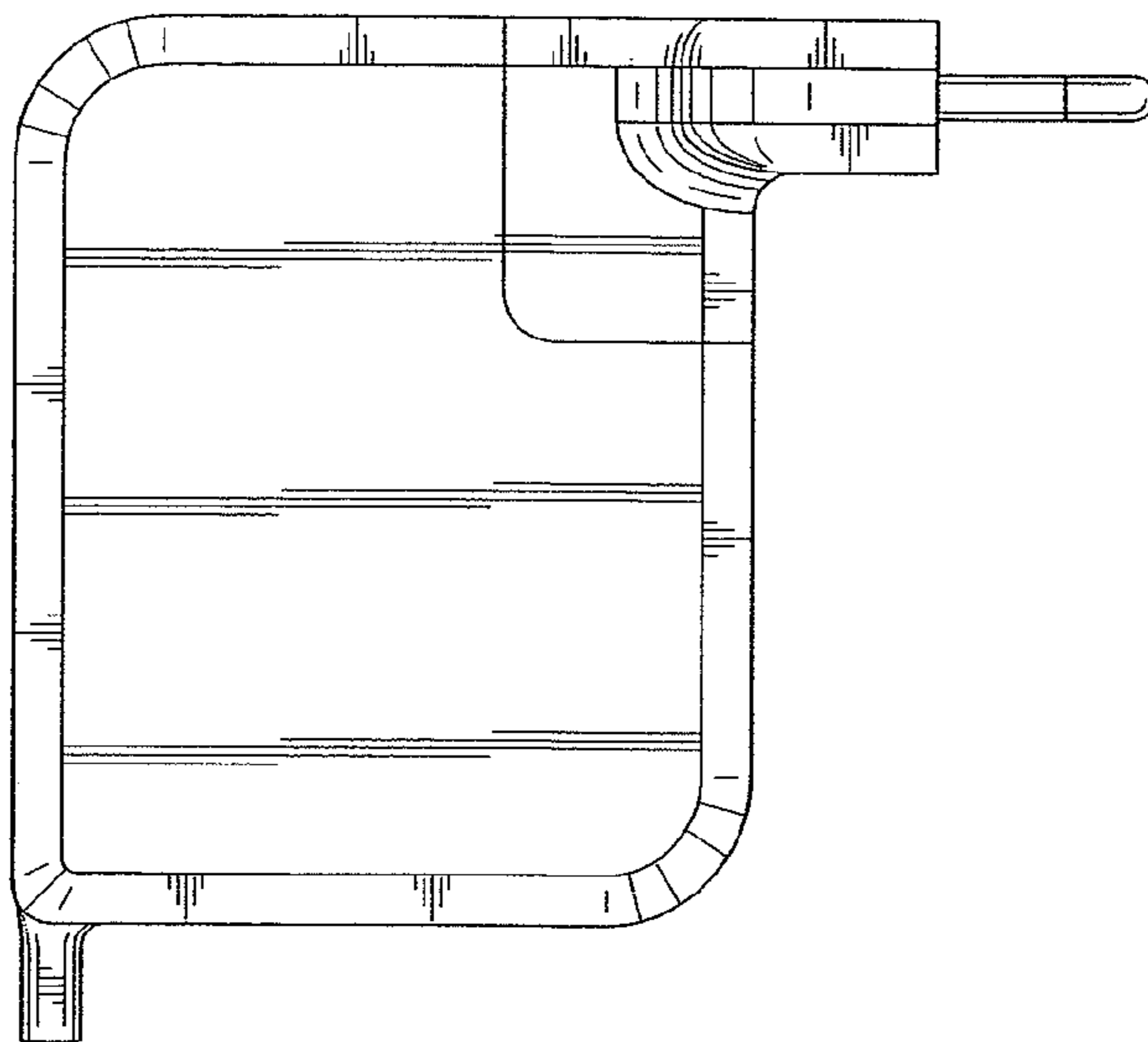


FIG. 3

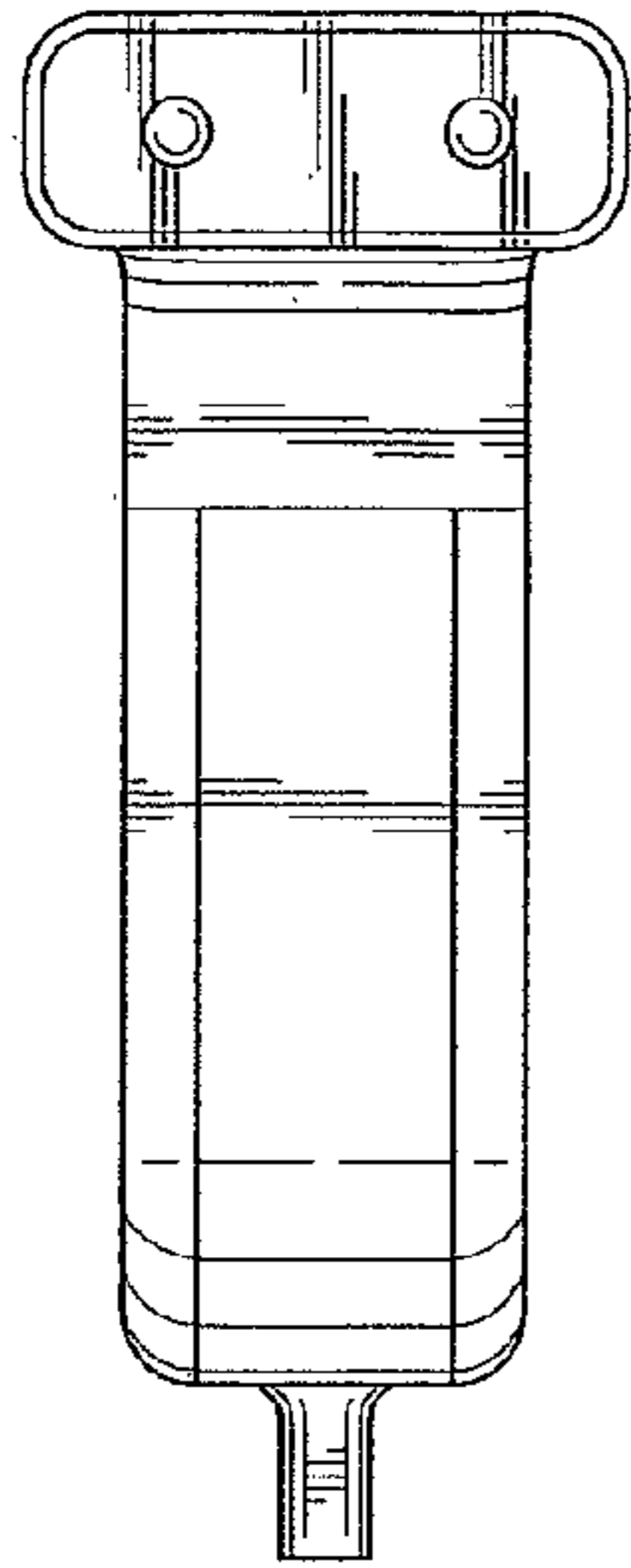


FIG.4

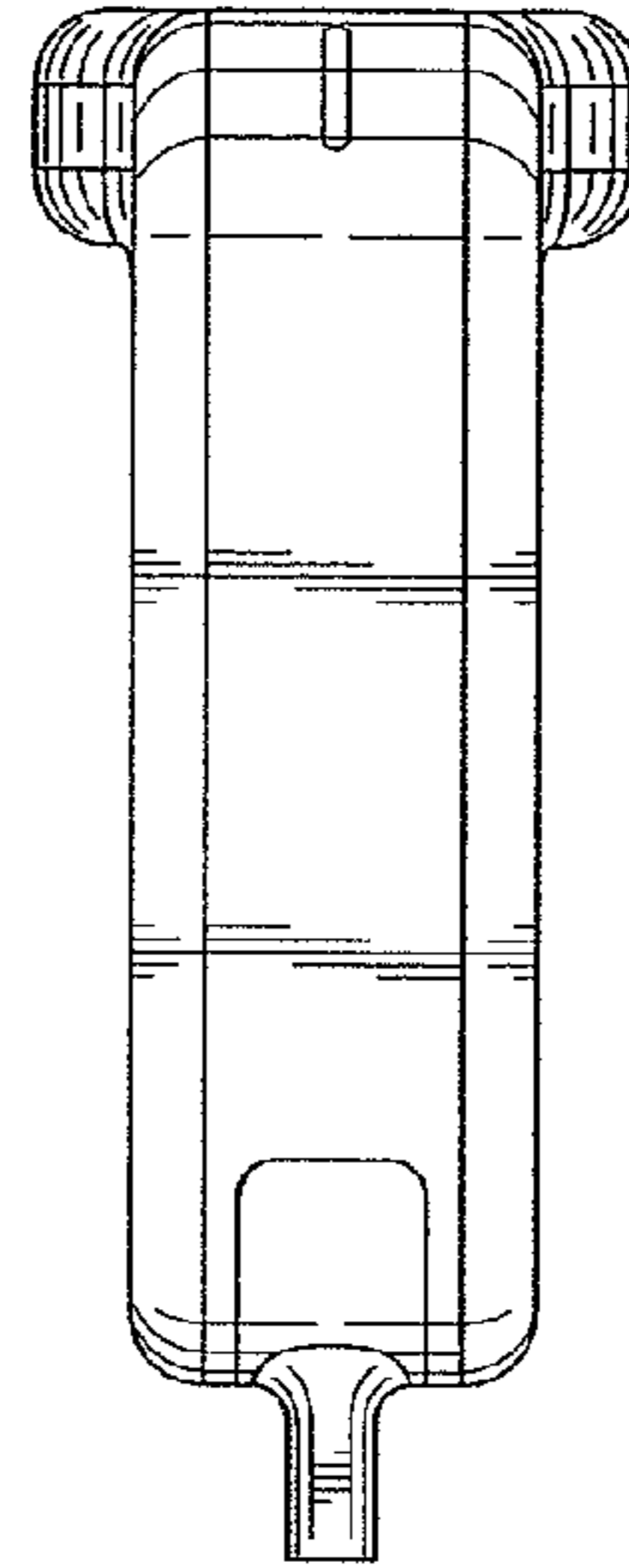


FIG.5

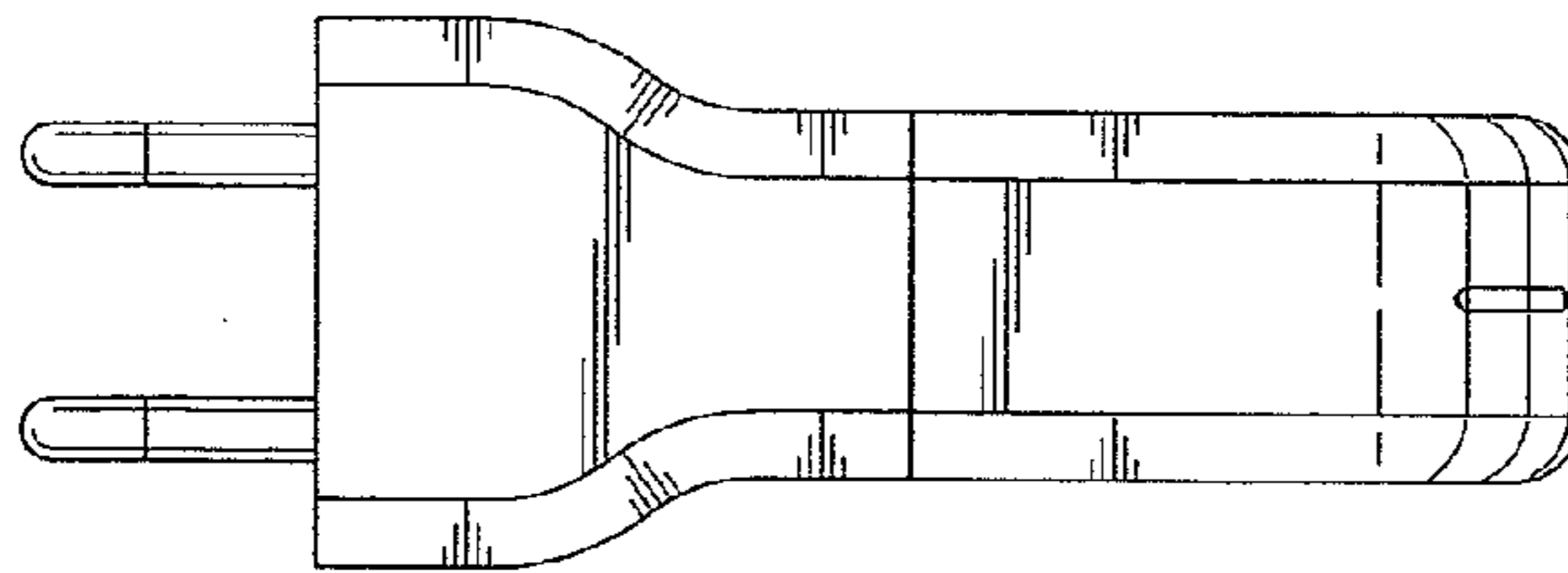


FIG.6

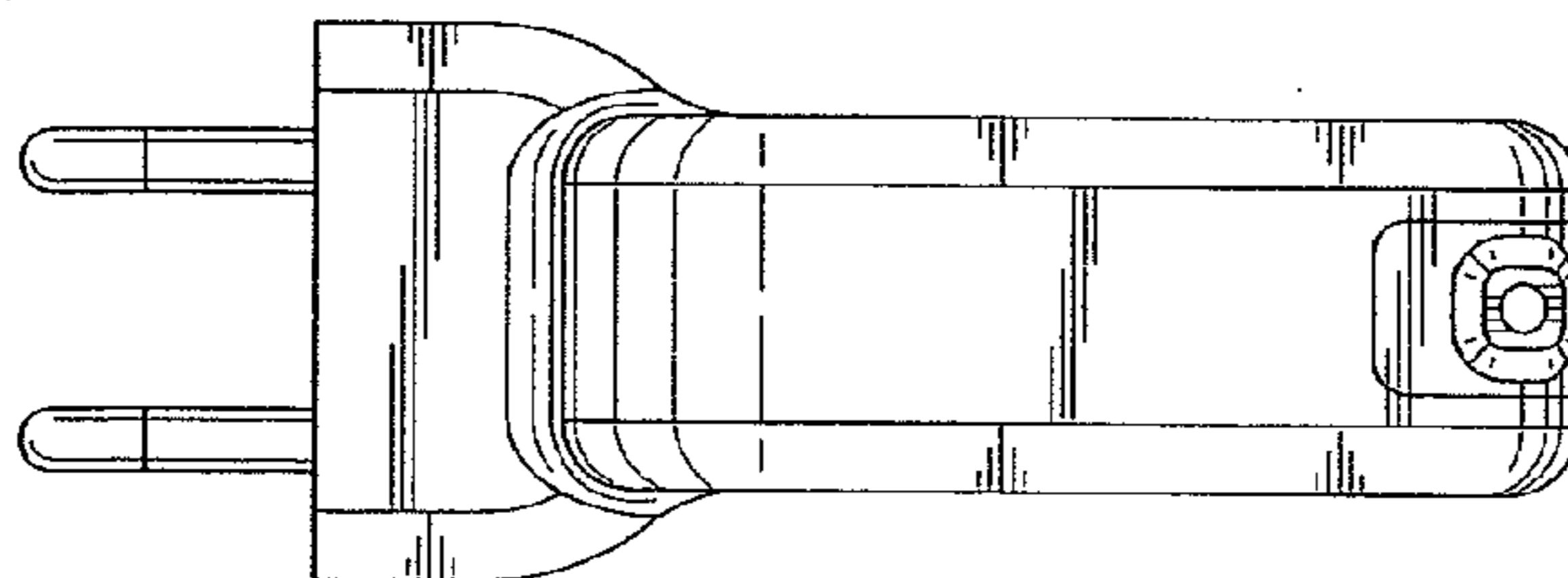


FIG.7